

541273700 (L-64E)
541274100 (R-64E)
541273800 (L-64ES)
541274200 (R-64ES)
541274500 (L-66E)
541274900 (LR-66E)
541275300 (R-66E)
541274600 (L-66ES)
541275000 (LR-66ES)
541275400 (R-66ES)
541275700 (L-68E)
541276100 (LR-68E)
541276500 (R-68E)
541275800 (L-68ES)
541276200 (LR-68ES)
541276600 (R-68ES)

544644200 (64)
544644300 (66)
544644400 (68)

544023901

544023800 (R/LR)

537012800

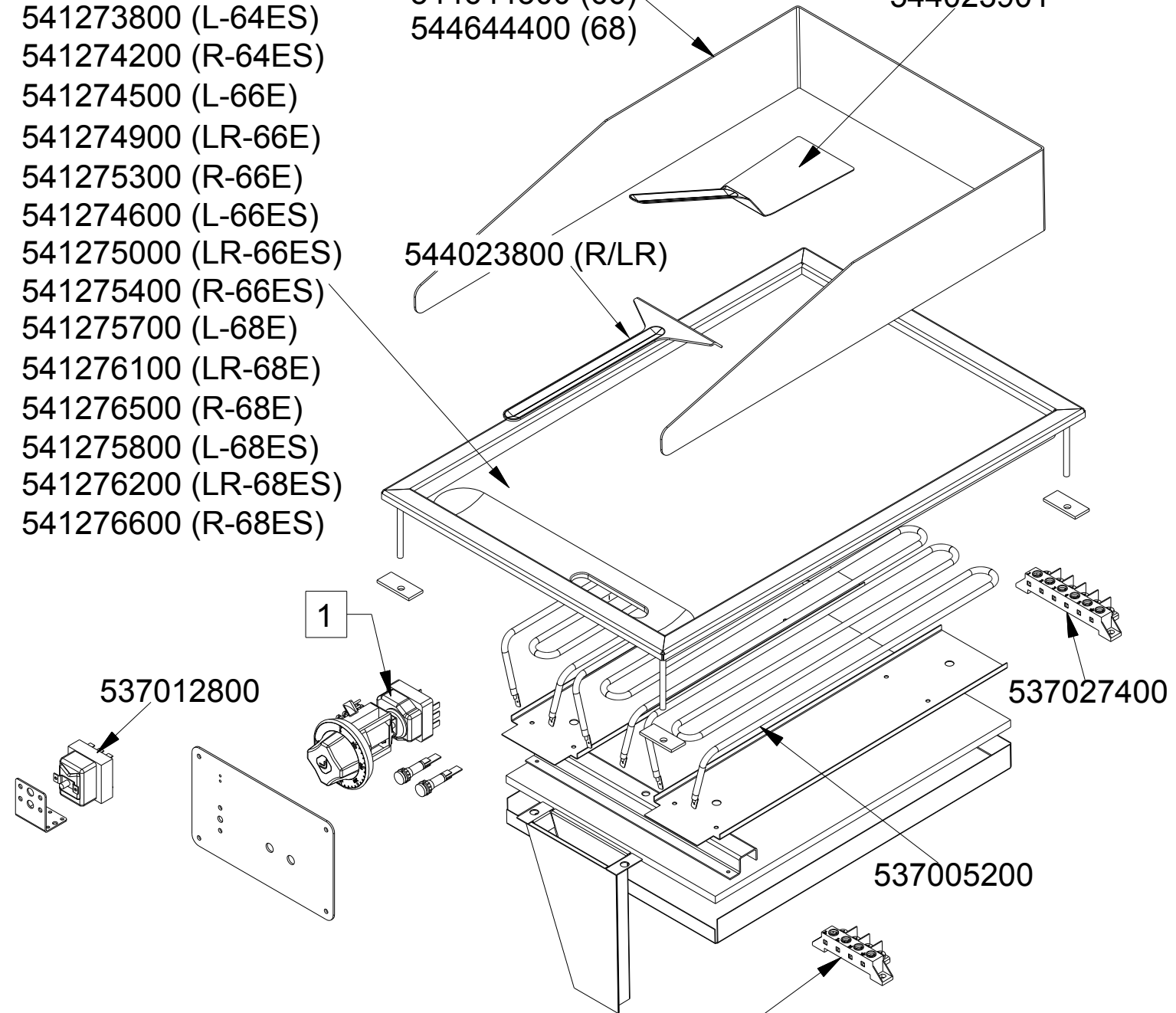
1

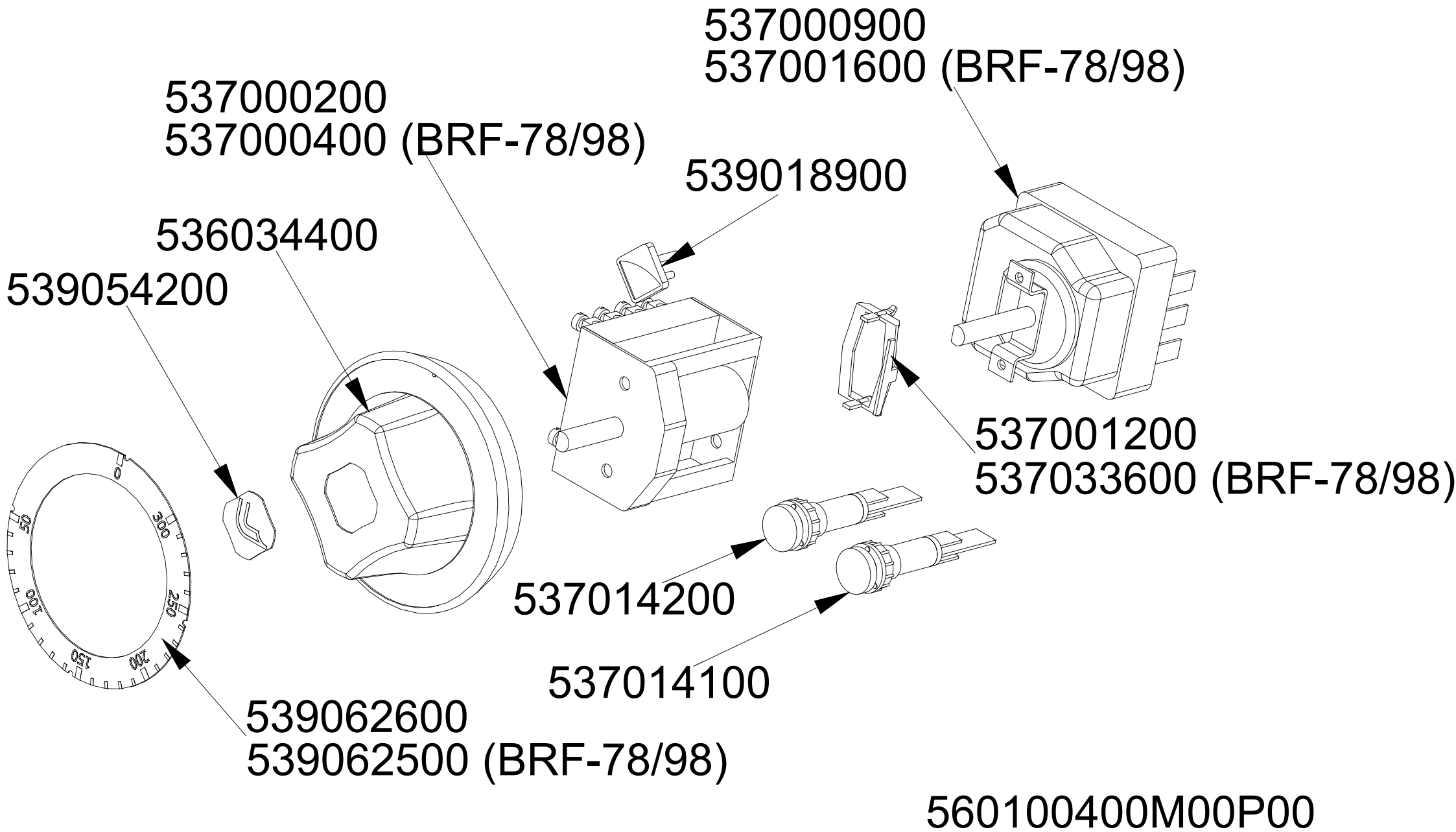
537027400

537005200

537036500

560086500M01P00





Page	Pos	Code	Description
001		541275700	UPPER PLATE DROP IN FTLD -6 8E
001		541275800	UPPER PLATE DROP IN FTLD -6 8ES
001		544644400	SPLASH GUARD FTD-6 8
001		544023901	SPATTLE FOR FRY-TOP
001		537012800	SAFETY THERMOSTAT 420°C THREEPHASE
001		537027400	TERMINAL BLOCK THREEPHASE 40A
001		537005200	HEATING ELEMENT W1500 V230 FT65
001		537036500	TERMINAL BLOCK 4POLES 40A SCREW-SCR
002		537000900	THERMOSTAT 063-320°C THREEPHASE
002		537001600	THERMOSTAT 50-320°C SINGLEPHASE
002		537000200	COMMUTATOR 1 POS. 3PHASE S.49 16A
002		537000400	COMMUTATOR 1POS.SINGLEPHASE S49 16A
002		539018900	INDEX FOR KNOB W/RED SIGN
002		536034400	KNOB §77 4P. §06*4,6 C/M
002		539054200	STAMP Ø20,5 CR."L" LOTUS R.
002		537001200	FIXING BRACKET FOR THERMOSTAT/COMM.
002		537033600	FIXING BRACKET FOR THERMOSTAT/COMM.
002		537014200	GREEN WARNING LIGHT 250V
002		537014100	WHITE WARNING LIGHT 250V
002		539062600	RED STICKING DISK 72 (050,300°
002		539062500	RED STICKING DISK 72 (050,300°