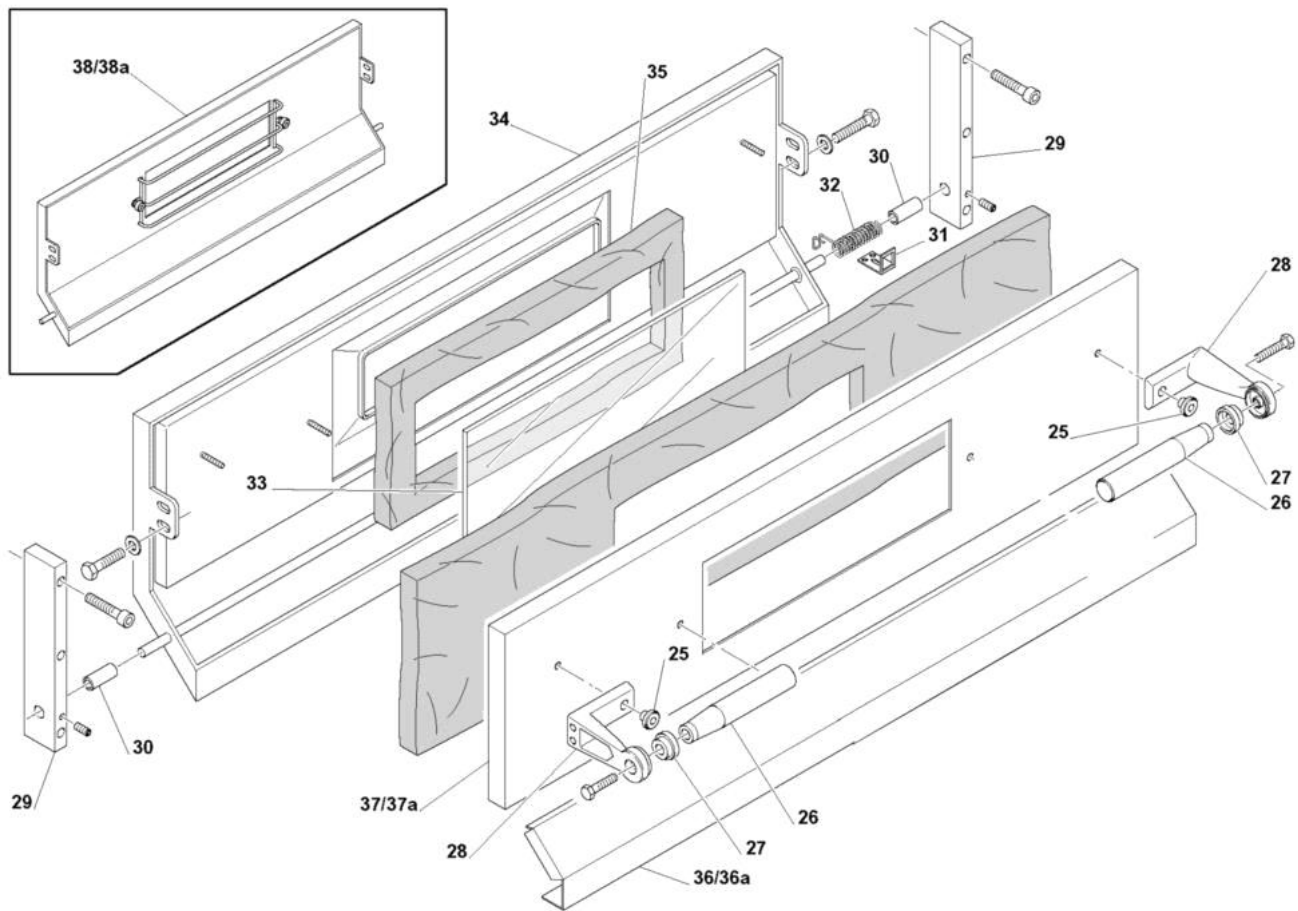


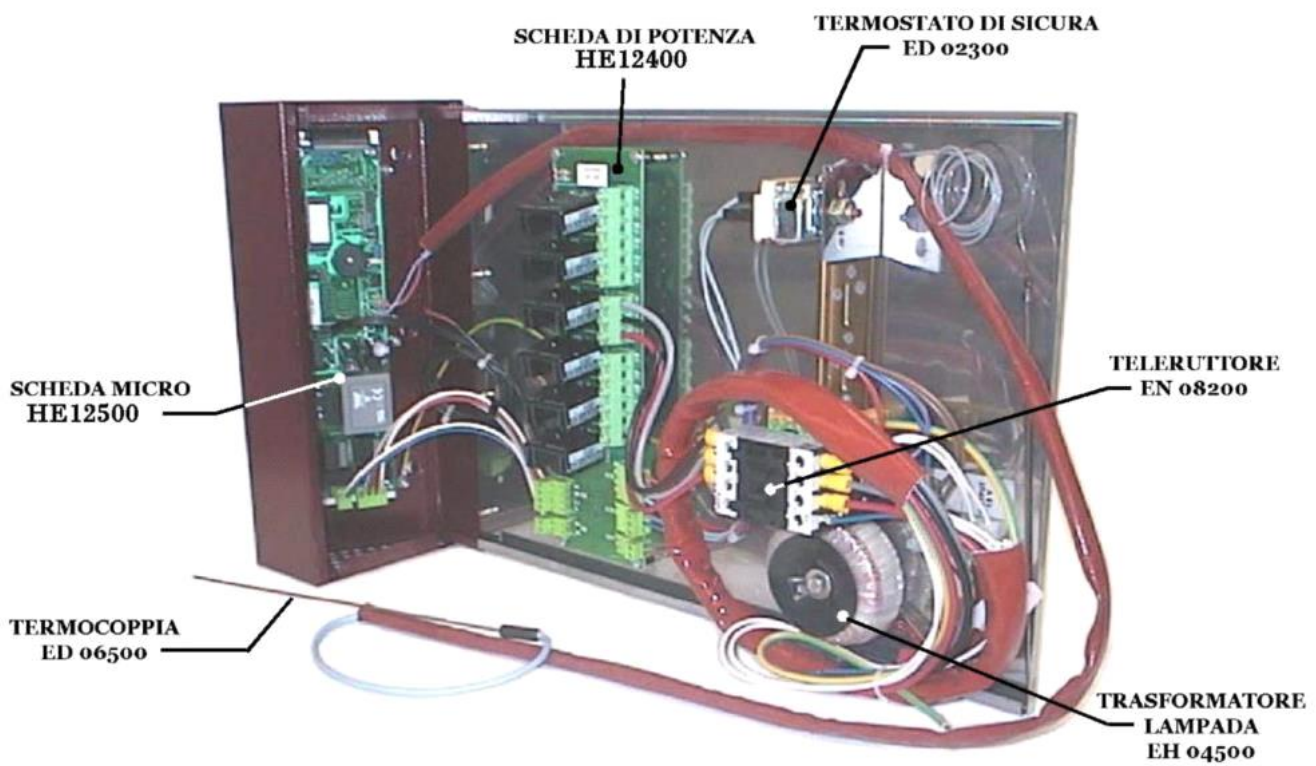
- 1 Tavola 1
- 2 Porta frontale
- 3 Pannello comandi
- 4 Pannello comandi
- 5 Tabella resistenze



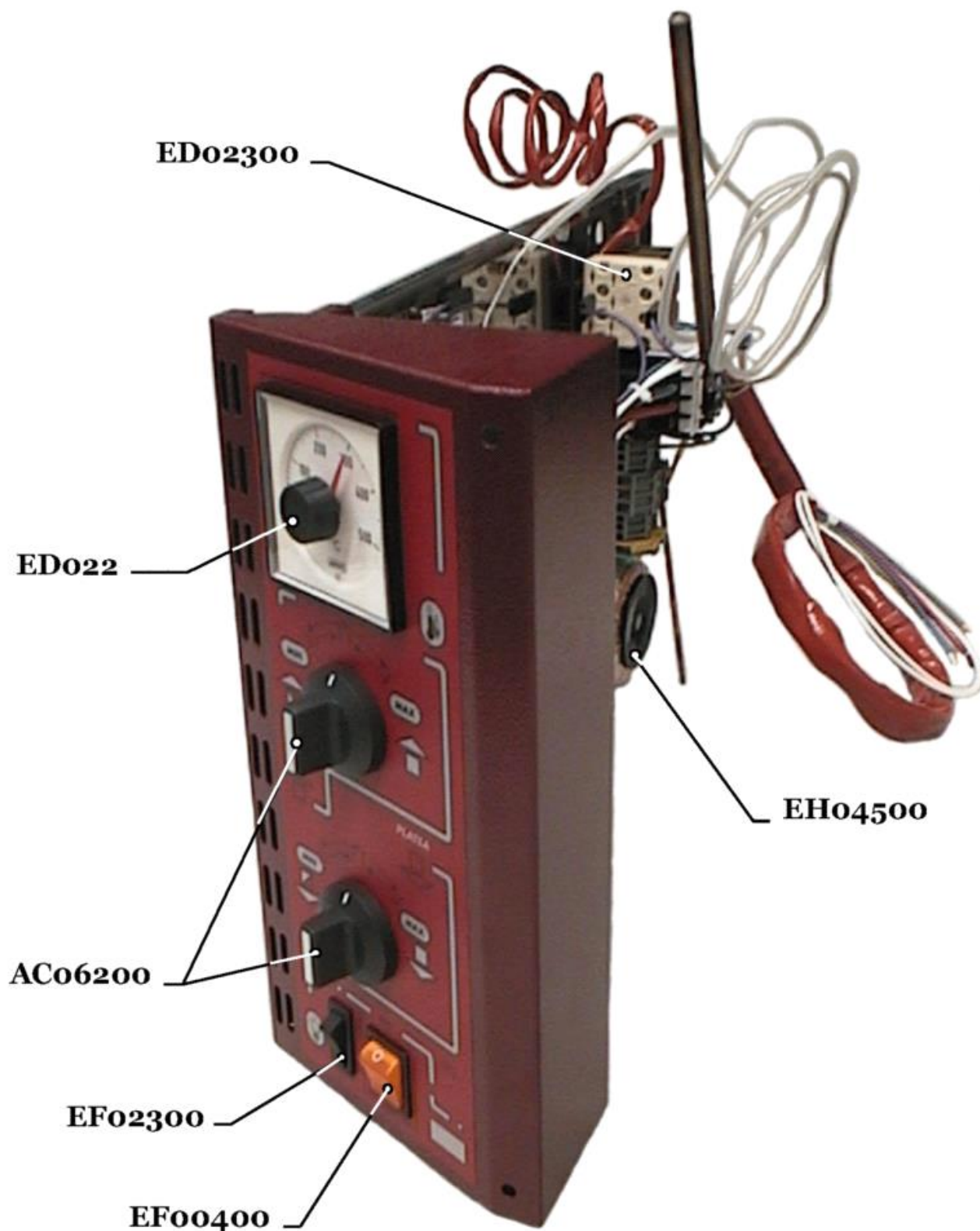
Pos	Codice	Descrizione	notes	
0	HRD69	COMPL.PORTA RUSTICA 66/69		
0	HRD99	C.PORTA 96/99/109R+RG33+GRIGL.		
0	HSD69	C.PORTA 69-66S+SG22+23		
0	HSD99	C.PORTA 96/99/109S+SG33		
0	WDLR0	C.PORTA RUSTICA F.344+111 PREM		
0	WDLS0	C.PORTA STANDARD F.111-344		
0	WDR31	COMPL.PORTA RUSTICA 77		
0	WDS31	COMPL.PORTA STAND. 77		
0	WP221	FIANCO DX F.77/96/66 (NERO)		
0	WP331	FIANCO DX+SX F.69/99TV + GAS		
0	WP441	FIANCO DX+SX 111+109 (NERO)TV		
0	WPSC0	C.CAPPA F.96/99/109 STANDARD		
0	WPST3	PANNELLO FRONTALE SX ST		
0	WPVC0	C.CAPPA 96-99-109 SM.M(WPRC0)		
0	WPVT0	C.P.FRONT.DX F.S.2000R (WPRT0		
0	WPVT1	C.P.FRONT.SX F.S.2000R S(WPRT1		
0	WRL06	CAPPA RUSTICA 111		
0	WRS04	COMPL.CAPPA F.77 R SM.M		
0	WRS06	C.CAPPA RU 66-69/1-2-3 SM.M.		
0	WSL06	CAPPA STANDARD 111		
0	WSL20	COMP.TRAV SUP/INF 69-66 V.N.		
0	WSL25	TRAV.SUP/INF. 77		
0	WSL30	C.TRAV SUP/INF 96/99/109 V.N.		
0	WSL35	C.TRAV SUP/INF F.111 V.N(WSL35		
0	WSS04	COMP.CAPPA ST FORNO 77/1-2-3		
0	WSS06	COMPLESSIVO CAPPA F. 66/69 STANDARD		



Pos	Codice	Descrizione	notes	
0025	QST03	VOLANTINO PORTA		
0026	AC066	MANOP.P.FORNO TP.N.MC/29X115		
0027	AC071	RONDELLA D.36 H.12 FORO 8,5		
0028	HDTV3	PIATTO P/MANIGLIA IN ALLUMINIO		
0029	WKTB3	SOS.PORTA 40X15L=278 V.N.WKT03		
0030	E1K03	BOCCOLA PERNO PORTA 430-435DS		
0031	HAT04	ANGOLARE REG.MOLLA 4/8/5/10 TR		
0032	MD049	MOLLA F.2.5-16 CM.48 FORNO		
0033	AL276	VETRO P.CERAM.MM.131X410 SP.4		
0034	HDLA0	C.TEL.PORTA F.96-99-109/11-15		
0034	HDSA0	C.TEL.PORTA F.66-69/MF4-8-5-10		
0034	WDL00	C.TEL.PORTA F.111 in ACCIAIO		
0034	WDS00	C.TELAIO PORTA FORNO 331/77		
0035	AL278	GUARNIZIONE VETRO 430X155 MM		
0036	HSL01	COPRIPORTA STAND.INF.96-99-109		
0036	HSS01	COPRIP.INF.S 66/69-4-8CL-5-10		
0036	WSL01	COPRIPORTA INF.RE ST 111		
0036	WSS01	COPRIPORTA INF. STAND. 77		
0037	HSLP2	COPRIP.SUP.ST 11/15/96/99/109		
0037	HSSP2	COPRIP.SUP.ST MODU+TRI(HSSS2)		
0037	WSL02	COPRIPORTA SUP. STAND. 111		
0037	WSSP2	COPRIPORTA SUP. STAND. 77		
0038	HSD69	C.PORTA 69-66S+SG22+23		
0038	HSD99	C.PORTA 96/99/109S+SG33		
0038	WDLS0	C.PORTA STANDARD F.111-344		
0038	WDS31	COMPL.PORTA STAND. 77		



Pos	Codice	Descrizione	notes	Prezzo (EUR)
0	ED023	TERMOST.DI SICURA+RIP.MANUALE		
0	ED065	TERMOC"J"D.2X250+CAVO 1,5MT		
0	EH045	TRASF.TOROID.T50W 230/12+MORS.		
0	EN082	TELERUTTORE BF.9.10.230.50.60		
0	HE124	SCHEDA POTENZA CIELO-PLATEA TN		
0	HE125	C.PANN.TAST+MICROPR+SUPP.TP.N.		



Pos	Codice	Descrizione	notes
0	AC062	MANOPOLA COMMUTAT.EH009+EH030	
0	ED022	TERMOST.TQ60 0/500°FERMO 400°	
0	ED023	TERMOST.DI SICURA+RIP.MANUALE	
0	EF004	Interruttore bipolare	
0	EF023	DEVIAT.UNIP.NERO 16A LAMP.INT.	
0	EH045	TRASF.TOROID.T50W 230/12+MORS.	

MOD.	CODICE CODE CODE CODE CODIGO	RESISTENZA HEATER RESISTANCE HEIZKÖRPER RESISTENCIA
S - R 66	EE 102 / cielo	W. 720 VOLT. 400
	EE 102 / platea	W. 720 VOLT. 400
	EE 245 / cielo	W. 850 VOLT. 230
	EE 245 / platea	W. 850 VOLT. 230
S - R 69	EE 149 / cielo	W. 1300 VOLT. 400
	EE 110 / platea	W. 1100 VOLT. 400
	EE 246 / cielo	W. 1300 VOLT. 230
	EE 246 / platea	W. 1300 VOLT. 230
S - R 77	EE 227 / cielo	W. 1100 VOLT. 400
	EE 186 / platea	W. 850 VOLT. 400
	EE 250 / cielo	W. 1100 VOLT. 230
	EE 250 / platea	W. 1100 VOLT. 230
S - R 96	EE 128 / cielo	W. 1300 VOLT. 400
	EE 106 / platea	W. 1100 VOLT. 400
	EE 247 / cielo	W. 1300 VOLT. 230
	EE 247 / platea	W. 1300 VOLT. 230
S - R 99	EE 150 / cielo	W. 1900 VOLT. 400
	EE 114 / platea	W. 1600 VOLT. 400
	EE 248 / cielo	W. 2000 VOLT. 230
	EE 248 / platea	W. 2000 VOLT. 230
S - R 109	EE 151 / cielo	W. 2100 VOLT. 400
	EE 118 / platea	W. 1900 VOLT. 400
	EE 249 / cielo	W. 2300 VOLT. 230
	EE 249 / platea	W. 2300 VOLT. 230
S - R 111	EE 174 / cielo	W. 1150 VOLT. 400
	EE 192 / platea	W. 900 VOLT. 400
	EE 251 / cielo	W. 1150 VOLT. 230
	EE 251 / platea	W. 1150 VOLT. 230

MOD.	CODICE CODE CODE CODE CODIGO	RESISTENZA HEATER RESISTANCE HEIZKÖRPER RESISTENCIA
S - R 66-E	EE 102 / cielo	W. 720 VOLT. 400
	EE 102 / platea	W. 720 VOLT. 400
	EE 245 / cielo	W. 850 VOLT. 230
	EE 245 / platea	W. 850 VOLT. 230
S - R 69-E	EE 149 / cielo	W. 1300 VOLT. 400
	EE 149 / platea	W. 1100 VOLT. 400
	EE 246 / cielo	W. 1300 VOLT. 230
	EE 246 / platea	W. 1300 VOLT. 230
S - R 77-E	EE 227 / cielo	W. 1100 VOLT. 400
	EE 227 / platea	W. 850 VOLT. 400
	EE 250 / cielo	W. 1100 VOLT. 230
	EE 250 / platea	W. 1100 VOLT. 230
S - R 96-E	EE 128 / cielo	W. 1300 VOLT. 400
	EE 128 / platea	W. 1100 VOLT. 400
	EE 247 / cielo	W. 1300 VOLT. 230
	EE 247 / platea	W. 1300 VOLT. 230
S - R 99-E	EE 150 / cielo	W. 1900 VOLT. 400
	EE 150 / platea	W. 1600 VOLT. 400
	EE 248 / cielo	W. 2000 VOLT. 230
	EE 248 / platea	W. 2000 VOLT. 230
S - R 109-E	EE 151 / cielo	W. 2100 VOLT. 400
	EE 151 / platea	W. 1900 VOLT. 400
	EE 249 / cielo	W. 2300 VOLT. 230
	EE 249 / platea	W. 2300 VOLT. 230
S - R 111-E	EE 174 / cielo	W. 1150 VOLT. 400
	EE 174 / platea	W. 900 VOLT. 400
	EE 251 / cielo	W. 1150 VOLT. 230
	EE 251 / platea	W. 1150 VOLT. 230

Pos	Codice	Descrizione	notes
0	EE102	RESIS.W.720 V.400 22M/H+66 M.	
0	EE106	RESISTENZA W.1100 V.400 F.96M	
0	EE110	RESIST.W.1100 V.400 F.23-69M	
0	EE114	RESIS.W1600 V.400 F.33M-99M PL	
0	EE118	RES.CIELO W.1900 V.400 34+109M	
0	EE128	RESIST.W.1300 V.400 F.32H+96MC	
0	EE149	RESIS.CIELO W.1300 V.400 F.69M	
0	EE150	RESIST.W.1900 V.400 33H+99M-C.	
0	EE151	RESIST.W.2100 V.400 F34H+109M	
0	EE174	RESISTENZA W.1150 V.400 44-111	
0	EE186	RESIST.PLATEA W.850 V.400 77M	
0	EE192	RES.PLATEA W.900 V.400 F.111 M	
0	EE227	RESIST.CIELO W1100 V.400 F.77M	
0	EE245	RESISTENZA W.850 V.230 F.66M+E	
0	EE246	RESISTENZA W.1300 V.230 F69M+E	
0	EE247	RESISTENZA W.1300 V.230 F96M+E	
0	EE248	RESISTENZA W.2000 V.230 F99M+E	
0	EE249	RESISTENZA W.2300 V.230 109M+E	
0	EE250	RESISTENZA W.1100 V.230 F77M+E	
0	EE251	RESISTENZA W.1150 V.230 111M+E	