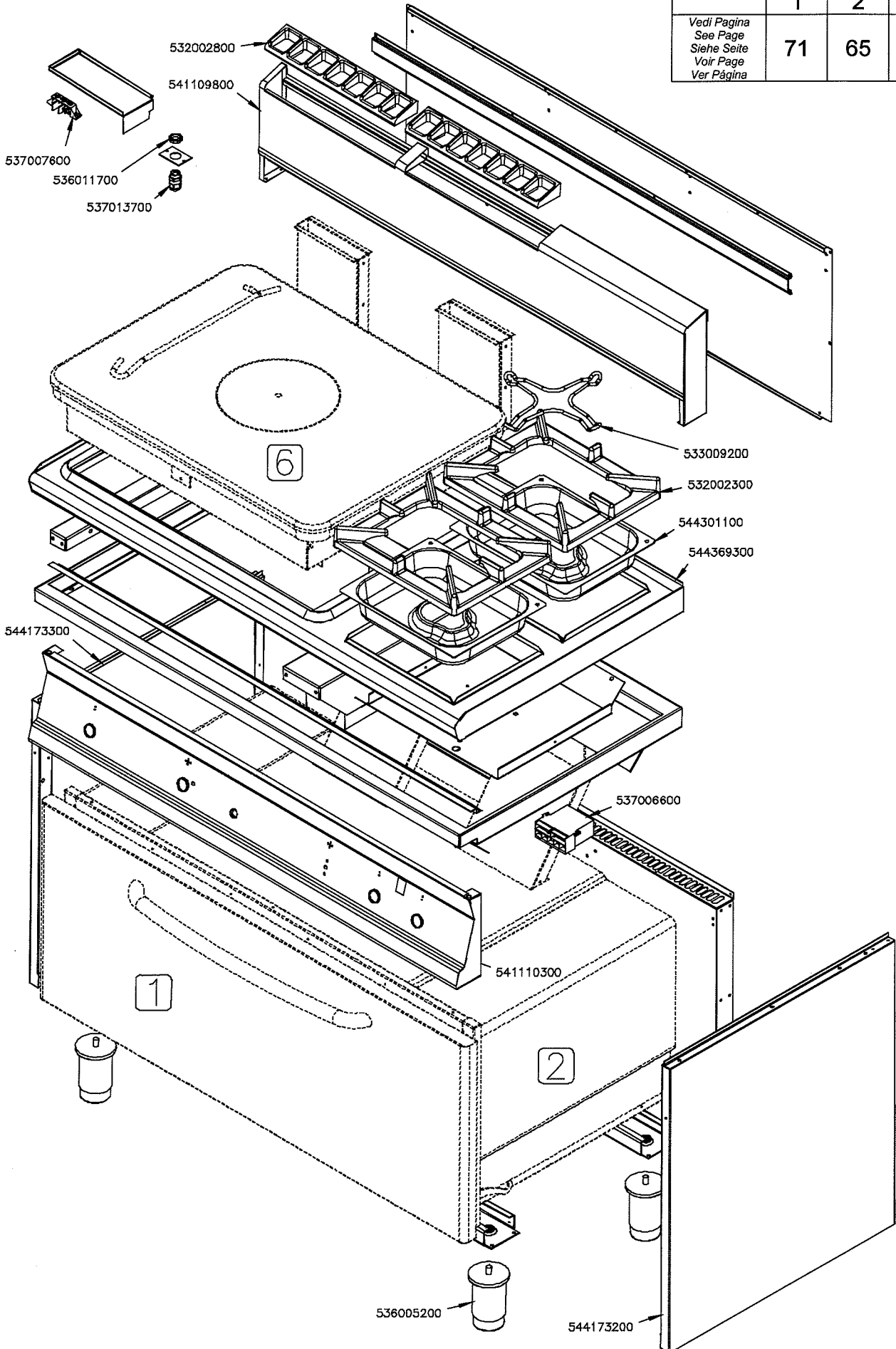


**SUPER 70 CUCINE / SUPER 70 RANGES / SUPER 70 HERDE / SUPER 70
CUISINIÈRES**

TPF2-712G

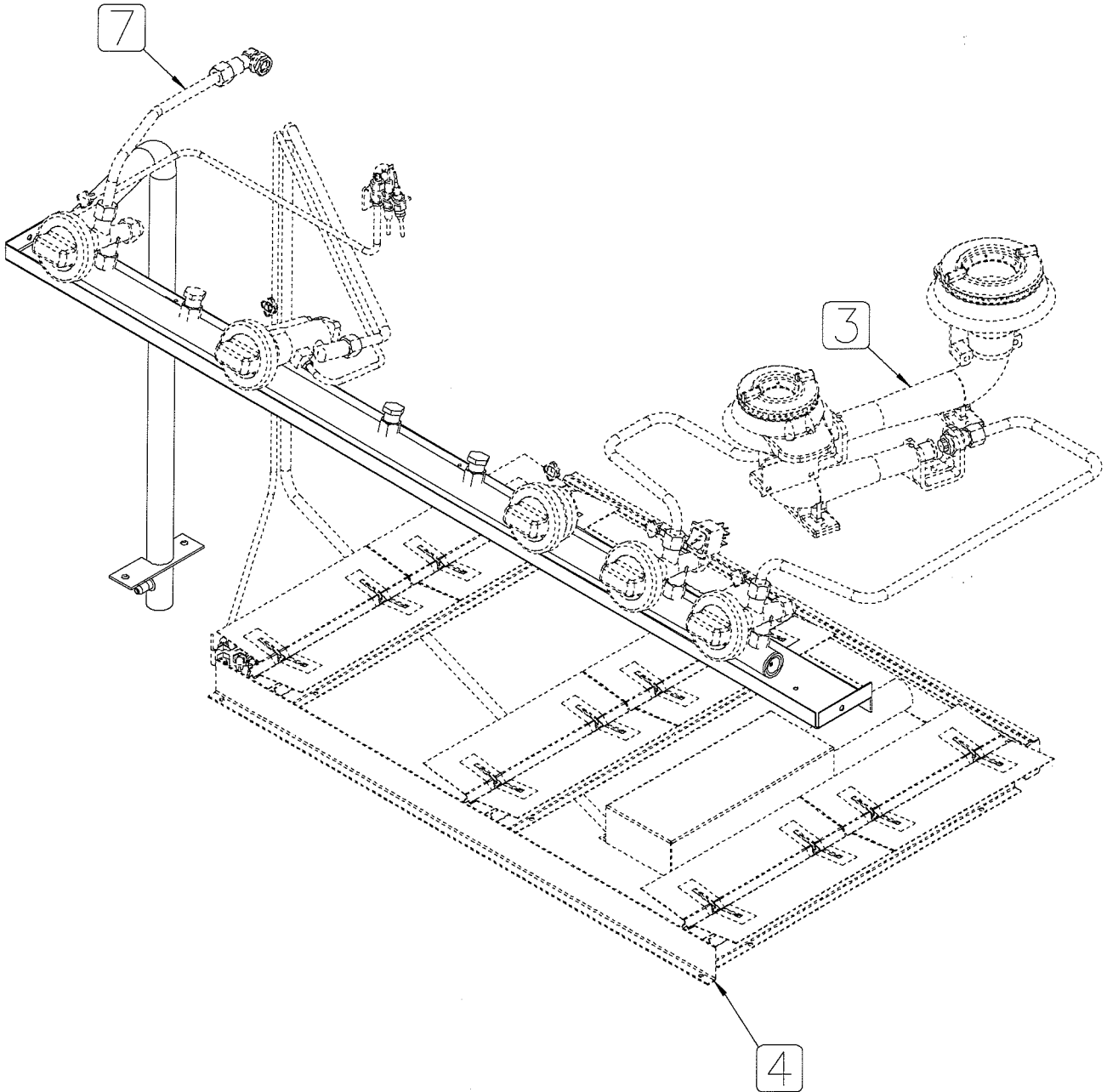
	1	2	6
Vedi Pagina See Page Siehe Seite Voir Page Ver Pagina	71	65	73



SUPER 70 CUCINE / SUPER 70 RANGES / SUPER 70 HERDE / SUPER 70 CUISINIÈRES

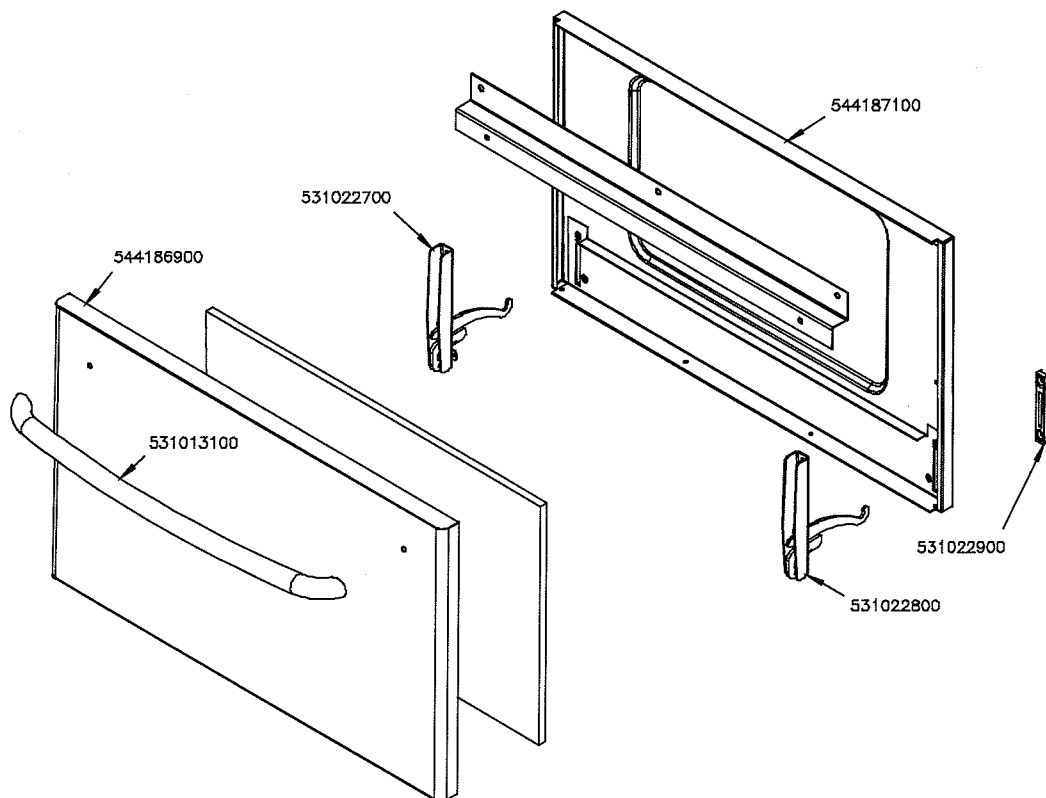
TPF2-712G

	3	4	7
Vedi Pagina See Page Siehe Seite Voir Page Ver Pagina	72	70	74

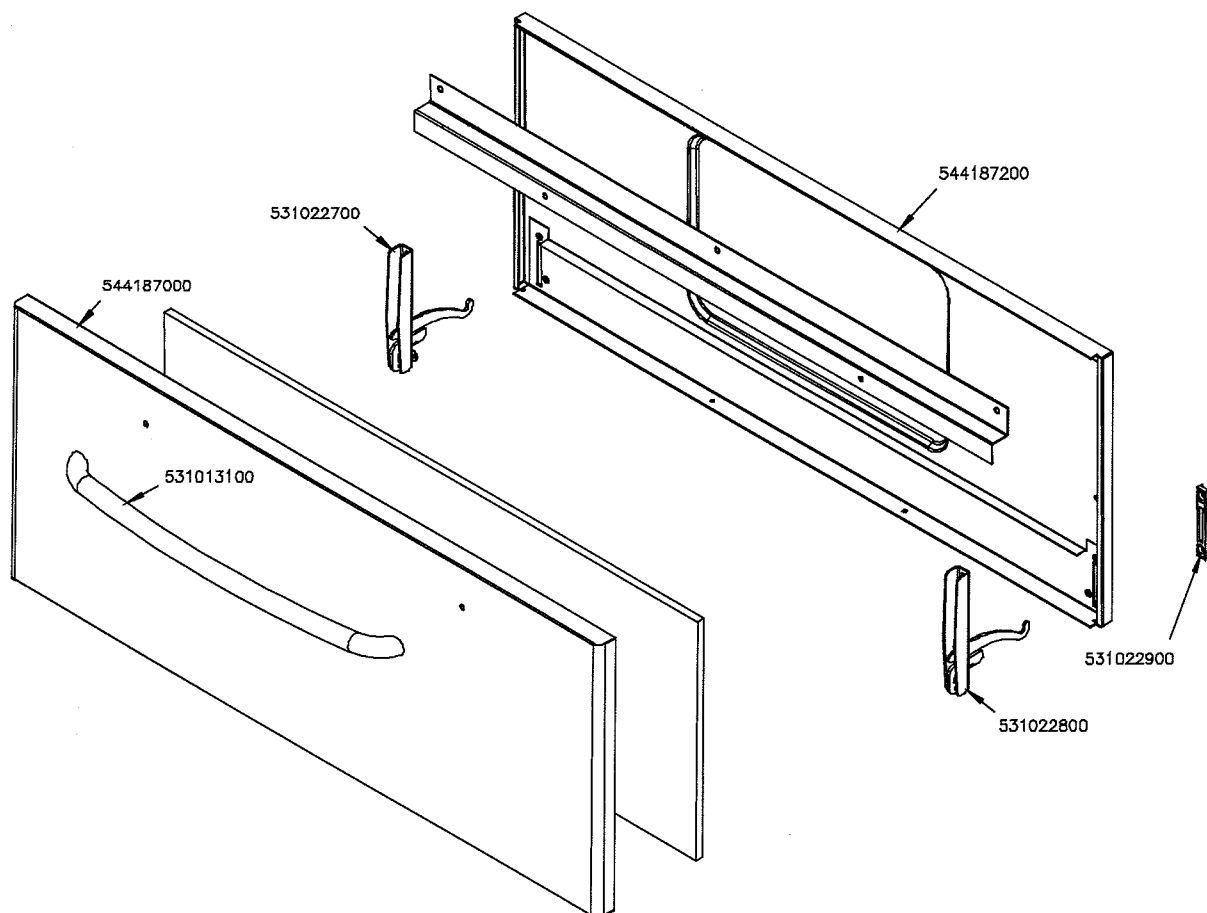


**PORTE FORNO GN 2/1 GN3/1 / DOORS OF THE OVEN GN 2/1 GN 3/1 / TÜREN DES
BACKOFEN GN 2/1 GN 3/1 / PORTES DU FOUR GN 2/1 ET GN 3/1**

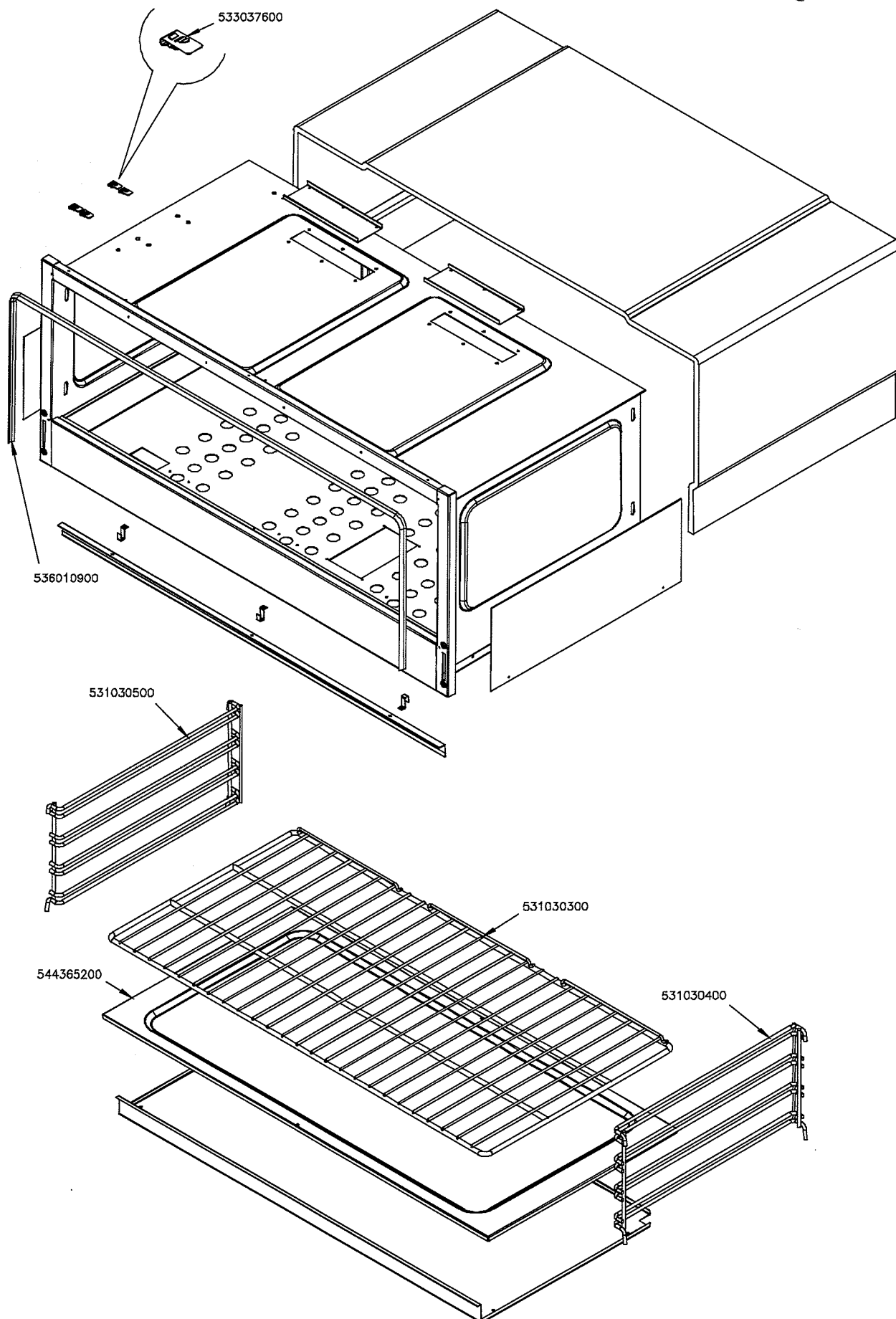
GN 2/1



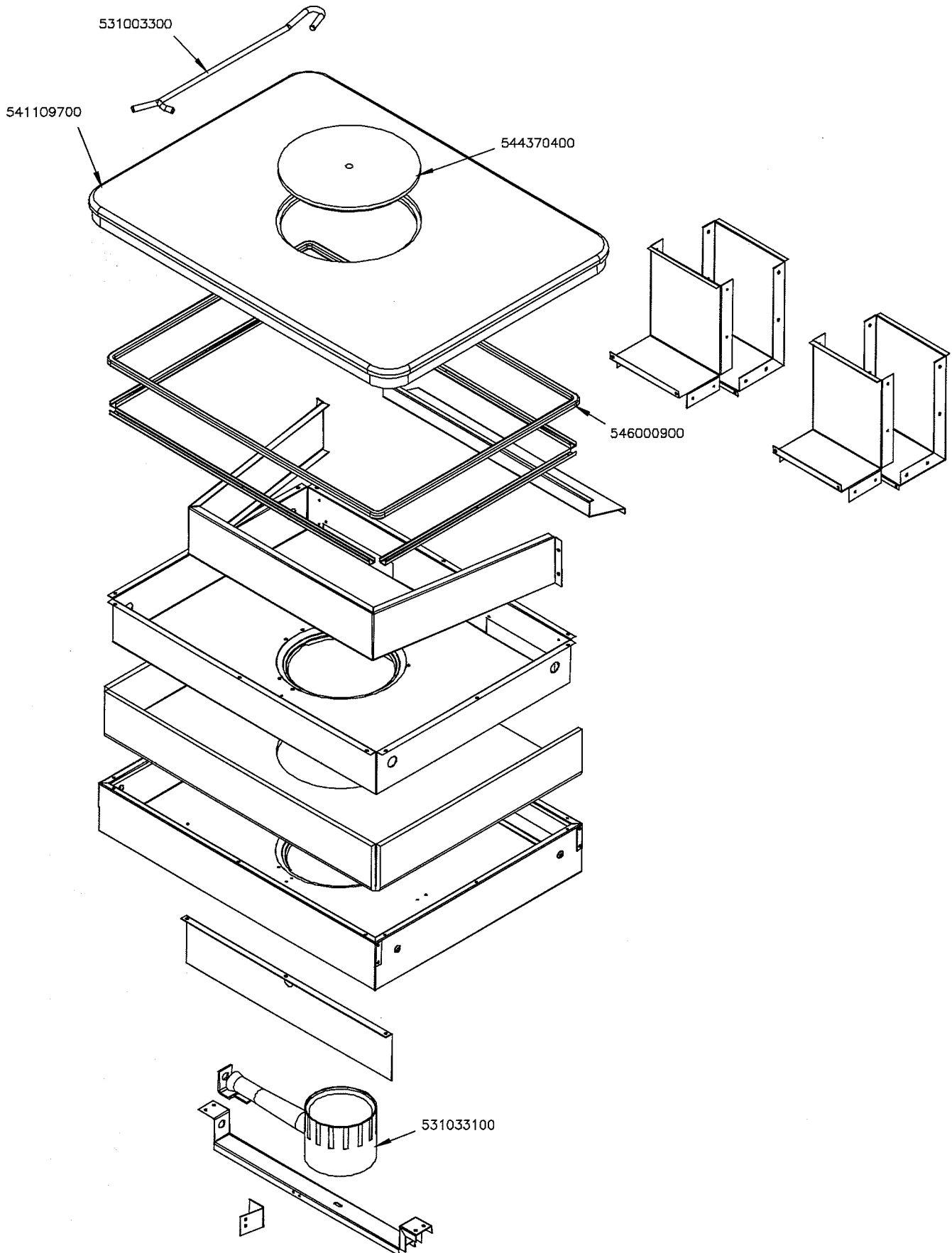
GN 3/1



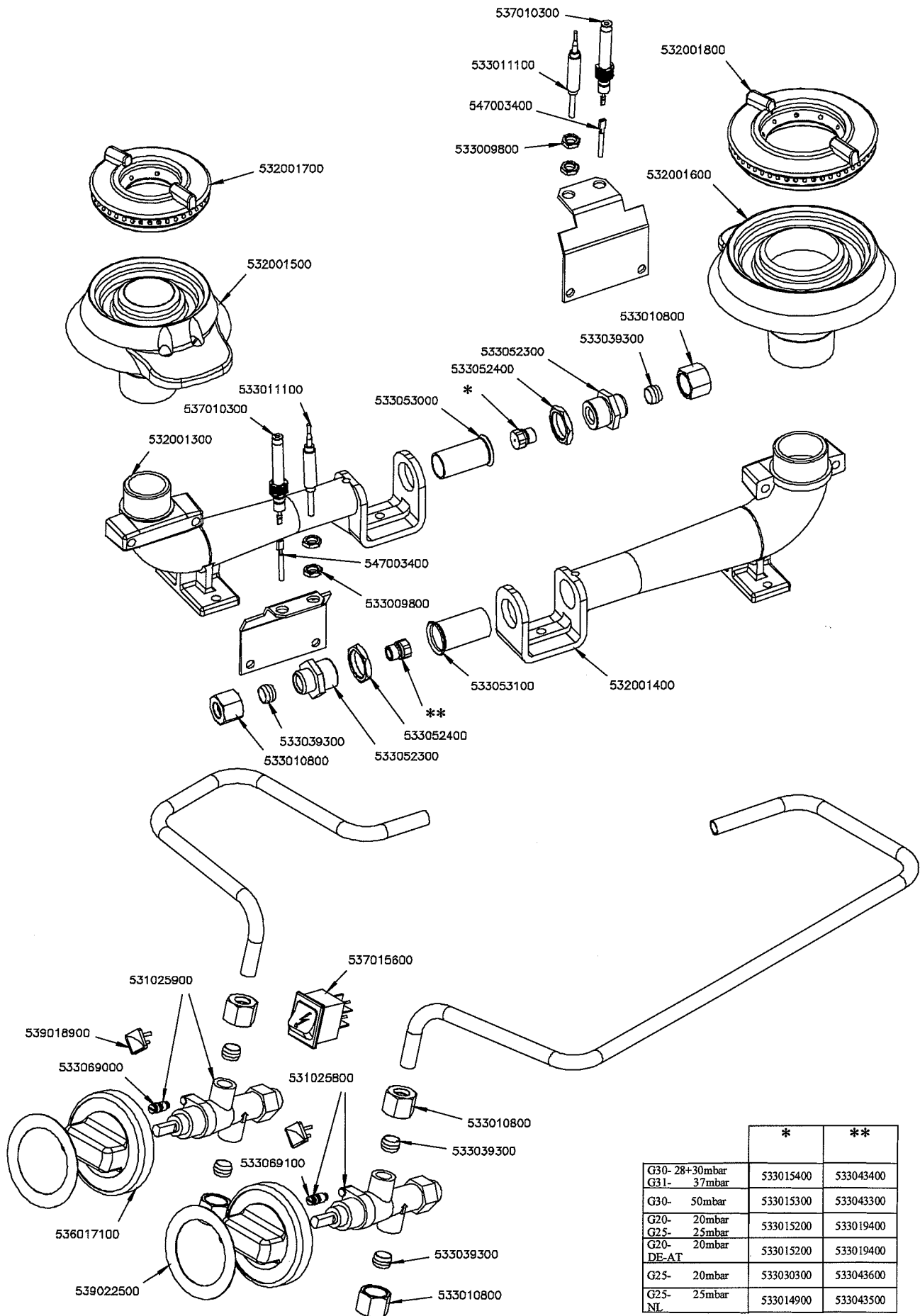
**FORNO GN 3/1 ELETTRICO CARCASSA / FRAME OF THE ELECTRICAL OVEN GN 3/1 /
GEHÄUSE DES ELEKTROBACKOFEN GN 3/1 / CHASSIS DU FOUR ELECTRIQUE GN 3/1**



TP CARCASSA / TP CASING / TP GEHÄUSE / CARCASSE



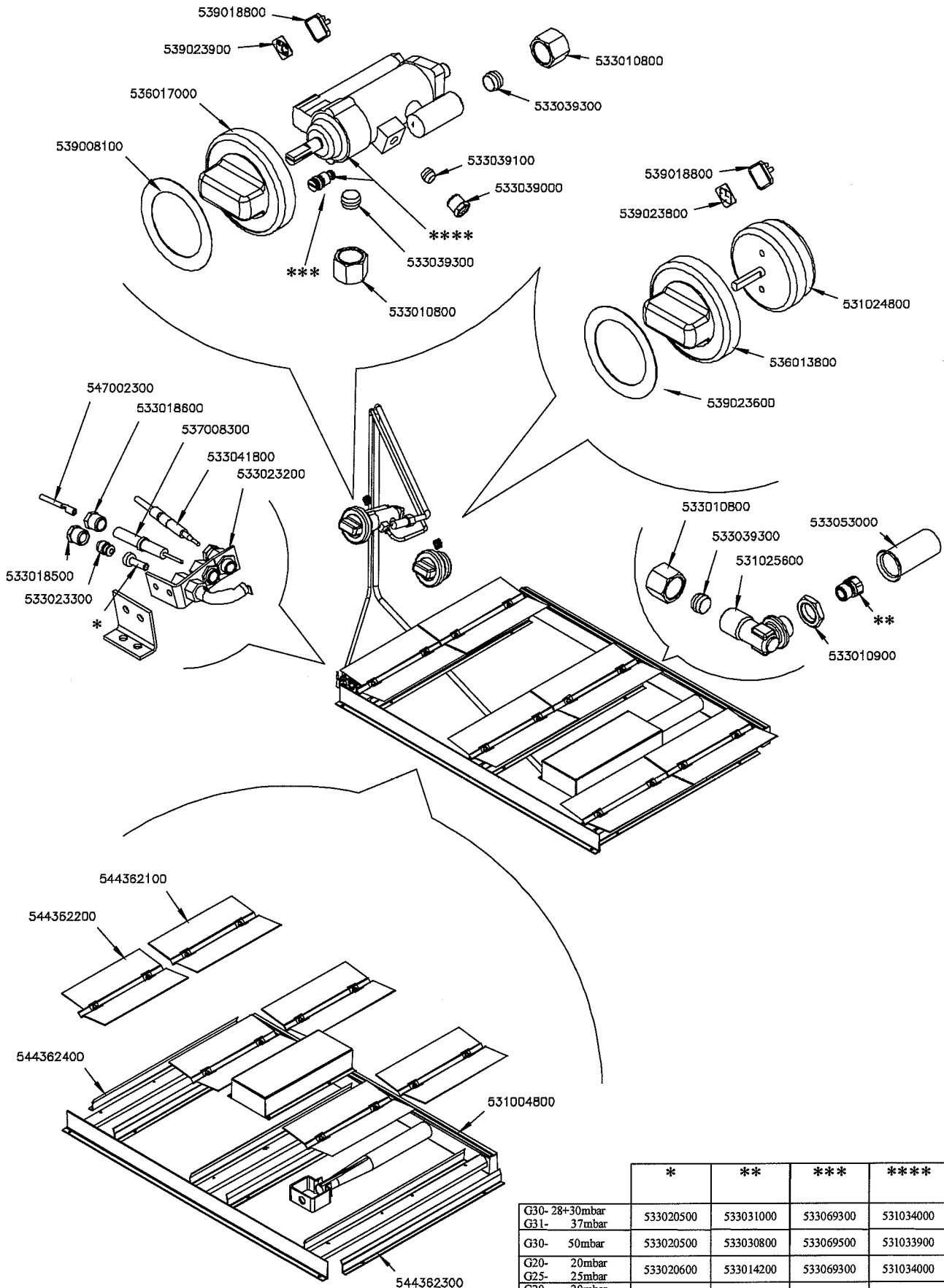
BRUCIATORI PC / BURNERS OF THE PC / BRENNER DER KOCHPLATTE / BRULEURS DU PC



	*	**
G30- 28+30mbar		
G31- 37mbar	533015400	533043400
G30- 50mbar	533015300	533043300
G20- 20mbar	533015200	533019400
G25- 25mbar	533015200	533019400
G20- 20mbar	533015200	533019400
DE-AT		
G25- 20mbar	533030300	533043600
G25- 25mbar	533014900	533043500
NL		

SUPER 70 CUCINE / SUPER 70 RANGES / SUPER 70 HERDE / SUPER 70 CUISINIÈRES

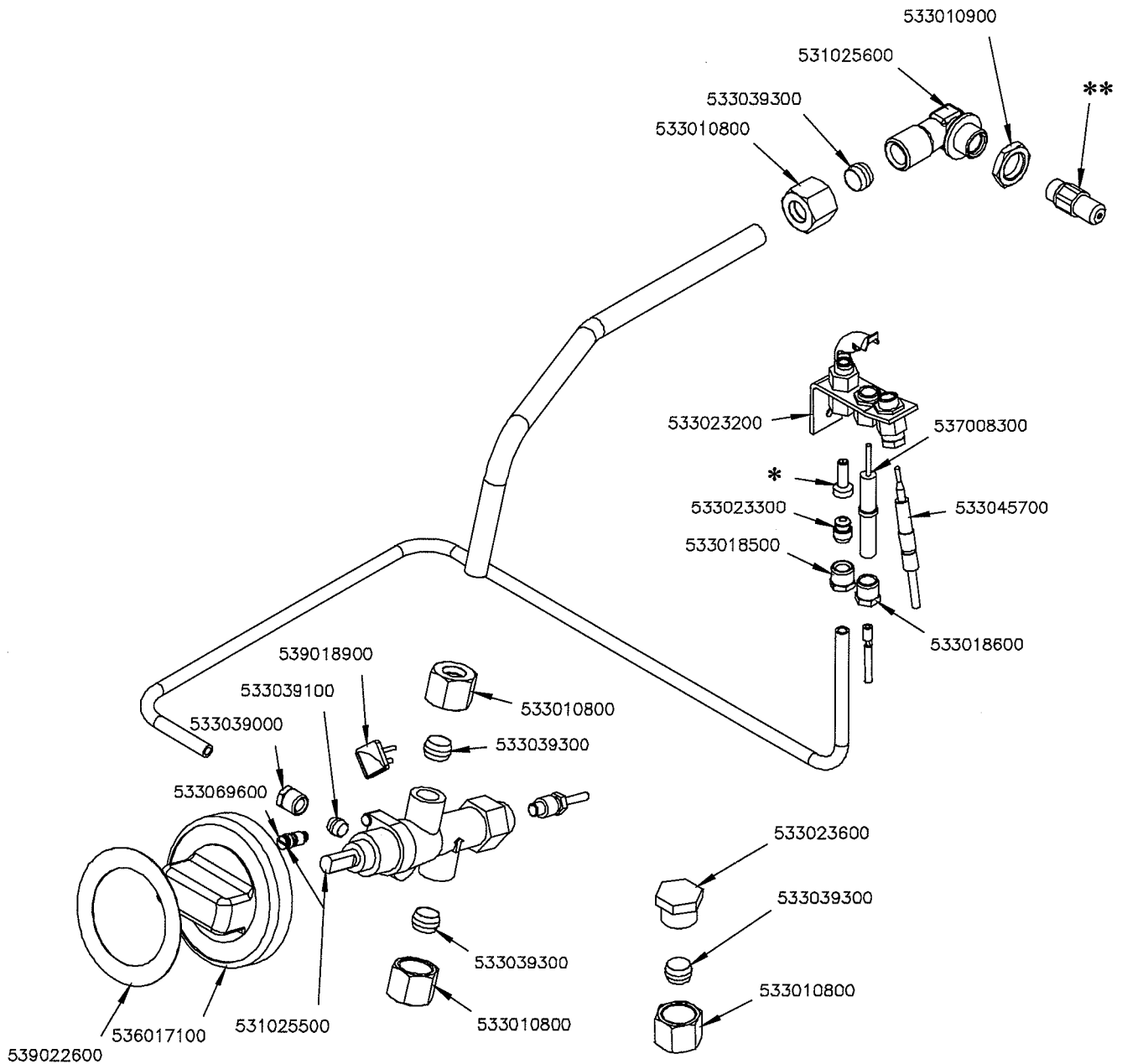
FORNO GN 3/1 GAS IMPIANTO / SYSTEM OF THE GAS OVEN GN 3/1 / EINRICHTUNG DES GASBACKOFEN GN 3/1 / INSTALLATION DU FOUR A GAZ GN 3/1



	*	**	***	****
G30- 28+30mbar G31- 37mbar	533020500	533031000	533069300	531034000
G30- 50mbar	533020500	533030800	533069500	531033900
G20- 20mbar G25- 25mbar	533020600	533014200	533069300	531034000
G20- DE-AT	533020600	533014200	533069500	531033900
G25- 20mbar	533020600	533014400	533069500	531033900
G25- NL	533020600	533014300	533069300	531034000

SUPER 70 CUCINE / SUPER 70 RANGES / SUPER 70 HERDE / SUPER 70 CUISINIÈRES

TP IMPIANTO / TP SYSTEM / TP ANLAGE / TP INSTALLATION



	*	**
G30- 28+30mbar G31- 37mbar	533020500	533019600
G30- 50mbar	533020500	533046200
G20- 20mbar G25- 25mbar	533020600	533057500
G20- DE-AT 20mbar	533020600	533057500
G25- 20mbar	533020600	533032801
G25- NL 25mbar	533020600	533032001

Page	Pos	Code	Description
001		532002800	GRID FOR PIPE L=370 S.70
001		541109800	PERFORATED SPACER 712
001		537007600	TERMINAL BLOCK SINGLEPHASE 40A
001		536011700	HEXAGONAL LOCK NUT PG-11
001		537013700	CABLE SECURING CLAMP PG-11
001		533009200	REDUCTION FOR 65 AND 70 LINE
001		532002300	1 FLAME GRILL 346X274 (70)
001		544301100	ENAMELLED BURNER DRIP PAN 1/2
001		544369300	UPPER PLATE TP2-712G
001		544173300	LEFT SIDE PANEL RANGE S.70
001		537006600	IGNITION UNIT 4 FLAMES V230
001		541110300	CONTROL PANEL TPF2-712G/GV
001		536005200	INOX LEG 2" 120-180 M10
001		544173200	RIGHT SIDE PANEL RANGE S.70
003		531022700	RIGHT OVEN DOOR HINGE 70LINE
003		531013100	OVEN DOOR HANDLE OF 70/90-LINE
003		531022900	HINGE DOOR WHEEL HOLDER S.70
003		531022800	LEFT OVEN DOOR HINGE S.70
003		544187200	
003		544187000	OVEN DOOR GN 3/1 S.70
004		533037600	LOCK SPRING FOR BULB
004		536010900	GAS OVEN GASKET GN 3/1 (1620)
004		531030500	LHD SUPPORT GRID FOR OVEN OF 70LINE
004		531030300	OVEN GRID GN 3/1 FOR 70 LINE
004		531030400	RHD SUPPORT GRID FOR OVEN OF 70LINE
004		544365200	70 ELECTRICAL OVEN BOTTOM GN3/1
005		531003300	TP-PLATE LIFTING HOOK
005		541109700	PLATE TP-78G
005		544370400	RING PLATE TP S.70
005		546000900	SQUARE BRAID OF INSULATING MATERIAL
005		531033100	BURNER TP..-78G
006		533015400	NOZZLE §93 CH12*14 G-PC4 R
006		533015300	NOZZLE §82 CH12*14 F-PC4 R
006		533015200	NOZZLE §145 CH12*14 F-FP/CP6
006		533030300	NOZZLE §160 CH12*14 M-FPG
006		533014900	NOZZLE §150 CH12*14 F-FQ5 L-FQ6
006		533043400	NOZZLE §117 CH12*14 G-PC4 UR
006		533043300	NOZZLE §103 CH12*14 F-PC4 UR
006		533019400	NOZZLE §180 CH12*14 L-FQ5
006		533043600	NOZZLE §200 CH12*14 L-PC4 UR
006		533043500	NOZZLE §190 CH12*14 G25 PC4R
006		537010300	PLUG IGNITION WITH SPRING PC65
006		533011100	THERMOCOUPLE 600 M8*1
006		547003400	HIGH-VOLTAGE CABLE L=900
006		533009800	BRASS NUT M8*1
006		532001700	QUICKBURNER §82
006		532001800	QUICKBURNER §102
006		532001600	BURNER BODY 5,5 KW
006		532001500	BURNER BODY 3,5 KW
006		533053000	AIR ADJUSTMENT BUSHING §18
006		533052400	NUT M20*1 H4

Page	Pos	Code	Description
006		533052300	JOINT FOR NOZZLE HOLDER
006		533039300	BICONE §10
006		533010800	TUBE NUT D.10 M16*1,5
006		532001300	BURNER VENTURI 3,5 KW
006		533053100	AIR ADJUSTMENT BUSHING §20
006		531025900	SAFETY TAP 20S-B PEL20S21070
006		537015600	BIPOLAR SWITCH
006		531025800	SAFETY TAP 20S-B PEL20S2160
006		533069000	BY PASS COCK §70 20S-21S
006		539018900	INDEX FOR KNOB
006		536017100	BLACK KNOB §70 PIN §8*6,5
006		539022500	ADHESIVE GRADUATED DISC FOR KNOB
006		533069100	BY PASS COCK §60 20S
006		532001400	BURNER VENTURI 5,5 KW
007		533020500	NOZZLE 0.140 §19
007		533020600	NOZZLE 0.140 §27
007		533031000	NOZZLE §175 CH12X14
007		533030800	NOZZLE §155 CH12X14 M-CW
007		533014200	NOZZLE §270 CH12*14 OVEN GN 3/1
007		533014400	NOZZLE §300 CH12*14 OVEN GN 3/1
007		533014300	NOZZLE §285 CH12*14
007		533069300	BY PASS COCK §100 25ST
007		533069500	BY PASS COCK §085 25ST
007		531034000	GAS COCK 25ST P.O. BY-PASS §100
007		531033900	HORIZON.THERMOSTATIC TAP BYPASS §85
007		539018800	INDEX FOR OVEN KNOB
007		539023900	SIGN PLATE FOR OVEN TEMPERATURE
007		536017000	BLACK KNOB §70 PIN §8*6,5
007		539008100	ADHESIVE GRADUATED DISC FOR KNOB
007		533010800	TUBE NUT D.10 M16*1,5
007		533039300	BICONE §10
007		533039100	BICONE §6
007		533039000	NUT FOR PILOT TUBE §6
007		539023800	SIGN PLATE FOR OVEN TIMER
007		531024800	TIMER 120'- 360°
007		536013800	KNOB D.70 BLACK 6*5 WITH SPRING
007		539023600	ADHESIVE GRADUATED DISC FOR KNOB
007		547002300	HIGH-VOLTAGE CABLE §2 L=1900
007		533018600	PLUG FITTING
007		537008300	ROUND PLUG §2,4- LONG ELECTRODE
007		533041800	THERMOCOUPLE 1500 M9*1
007		533023200	"TARGET" PILOT + NIPPLE TC BRAC.90°
007		533053000	AIR ADJUSTMENT BUSHING §18
007		531025600	ELBOW 90° NOZZLE-HOLDER §10 PIPE
007		533010900	NUT M14*1 H.4
007		533018500	FITTING FOR BICONE D.6 M10*1
007		533023300	BICONE §6 ("TARGET" PILOT)
007		544362100	UPPER BURNER DEFLECTOR FOR OVEN 70
007		544362200	UPPER PILOT DEFLECTOR FOR OVEN 70
007		544362400	SIDE PILOT DEFLECTOR FOR OVEN 70
007		531004800	BURNER FOR OVEN GN 3/1 S.70

Page	Pos	Code	Description
007		544362300	SIDE BURNER DEFLECTOR FOR OVEN 70
008		533010900	NUT M14*1 H.4
008		531025600	ELBOW 90° NOZZLE-HOLDER §10 PIPE
008		533039300	BICONE §10
008		533010800	TUBE NUT D.10 M16*1,5
008		537008300	ROUND PLUG §2,4- LONG ELECTRODE
008		533023200	"TARGET" PILOT + NIPPLE TC BRAC.90°
008		533023300	BICONE §6 ("TARGET" PILOT)
008		533018500	FITTING FOR BICONE D.6 M10*1
008		533045700	THERMOCOUPLE M9*1 500
008		533018600	PLUG FITTING
008		533023600	TAP PLUG §10 M16*1, 5CH19
008		539018900	INDEX FOR KNOB
008		533039100	BICONE §6
008		533039000	NUT FOR PILOT TUBE §6
008		533069600	BY PASS COCK §130 20S-21S
008		531025500	GAS COCK 21S P.V.BY-PASS Ø130
008		536017100	BLACK KNOB §70 PIN §8*6,5
008		539022600	GRADUATED STICKER FOR KNOB
008		533019600	NOZZLE §165 CH12*30 MH-FT5 H-FT6
008		533046200	NOZZLE §150 CH12X30 L-BR TP
008		533057500	NOZZLE §260 CH12X30
008		533032801	NOZZLE §280 CH12*30 M-CPM
008		533032001	NOZZLE §270 CH12*30 MH-CPM
008		533020500	NOZZLE 0.140 §19
008		533020600	NOZZLE 0.140 §27