



## **Flockeneisbereiter, 155 kg/24 h, 55 kg Eisvorratsbehälter**

Artikel-Nr.  
711040 (GB1555W)

---

### **Explosionszeichnung / Ersatzteile**

---

Bitte bei Ersatzteilbestellung immer Artikelnummer und  
Seriennummer mit angeben!



*GB 1555*

# LIST OF THE EXPLODED VIEWS



*SHELL ASSY*

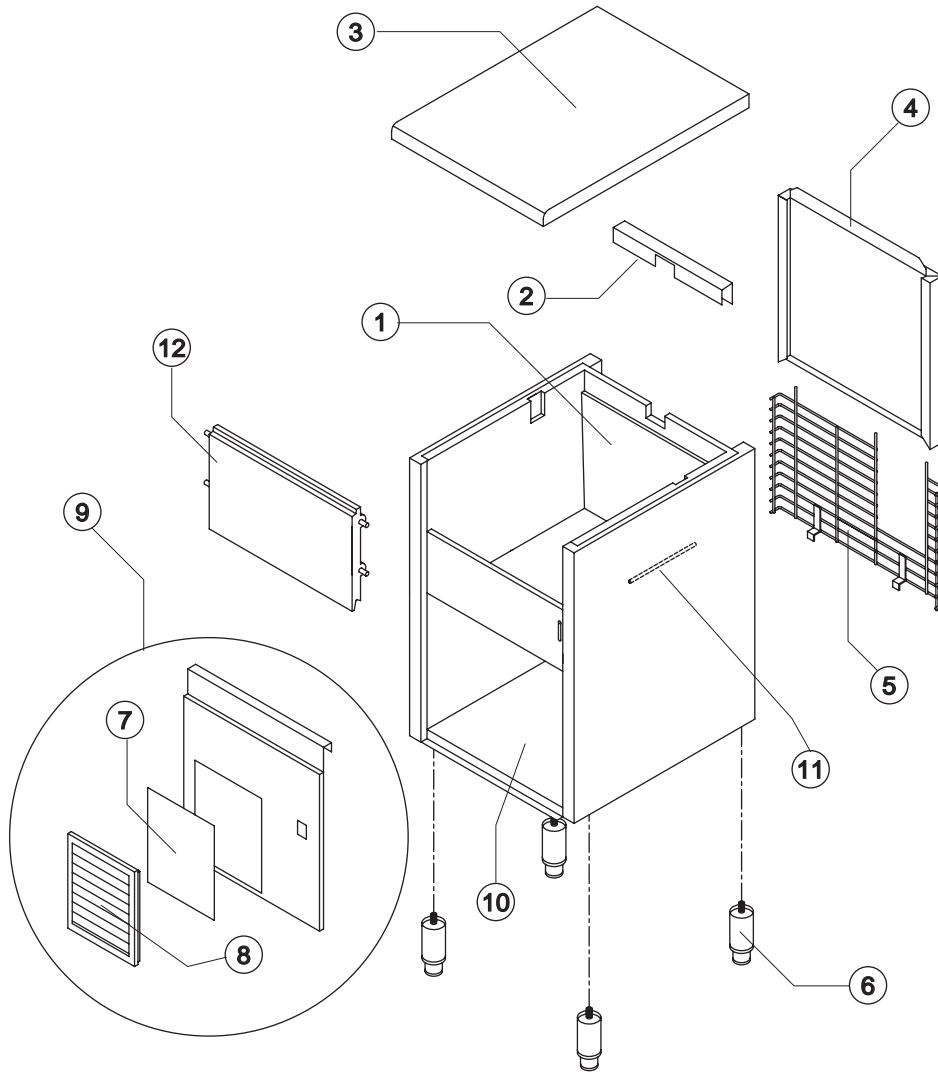
*COOLING SYSTEM*

*EVAPORATOR*

*HYDRAULIC CIRCUIT*

*ELECTRIC PARTS*

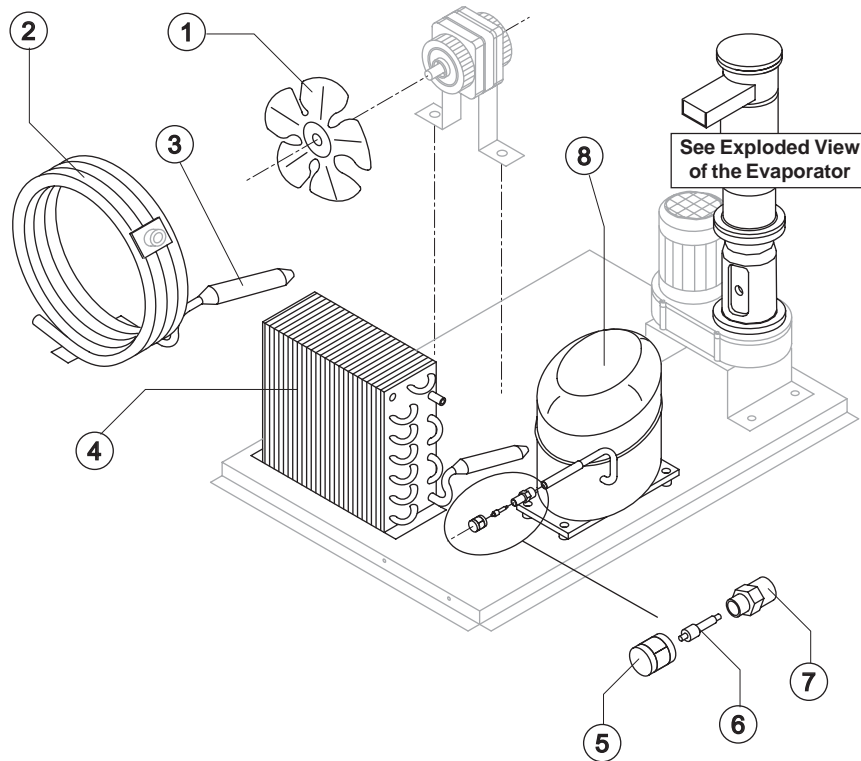
Rev. 16 - 20/01/2015



Ref.	Spare Description	Code
1	Foamed Cabinet Assy	See Table
2	Cover for Ice Exhaust	22592
3	Top Assembly	C22690
4	Rear Panel Assembly	C21202
5	Rear Grid	D12020
6	Adjustable Stainless Steel Foot	20613
7*	Filtering Panel	18106
8	Frame + Grid & Filter	C10205
9	Front Grid Panel	C22510
10	Base Plate	21284
11	Bulbe-holder Pipe	20522
12	Door Assy	C10275

### Ref. 1 - Foamed Cabinet Assy

Condensation	Code
Air	C11098A
Water	C11098W



### Common Parts

Ref.	Spare Description	Code
3*	Molecular Drier	14009
8	Compressor	See Table
5*	Vacuum-Charge Valve Plug	14006
6*	Vacuum-Charge Valve Device	14005
7	Vacuum-Charge Valve Body	14007

### Parts for Air-Cooled Version Only

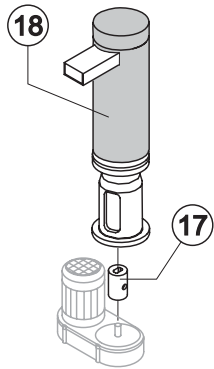
Ref.	Spare Description	Code
1	Sucking Fan	20031
4	Air Condenser	Current version
4	Air Condenser	Till s/n. 347947

### Parts for Water-Cooled Version Only

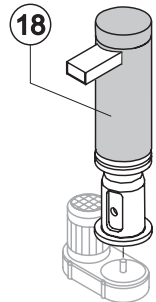
Ref.	Spare Description	Code
1	Sucking Fan	10213
2	Water Condenser	14014

### Ref. 8 - Compressor

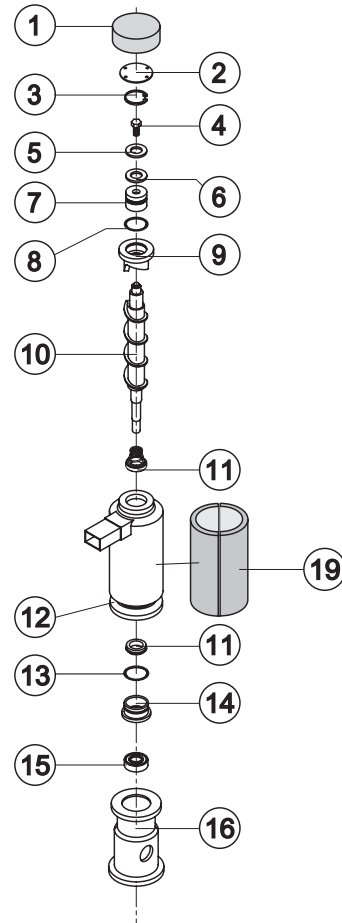
Voltage	Code
T11	23832
T12	23578A
T13	23679
T19	23679



**C11140**

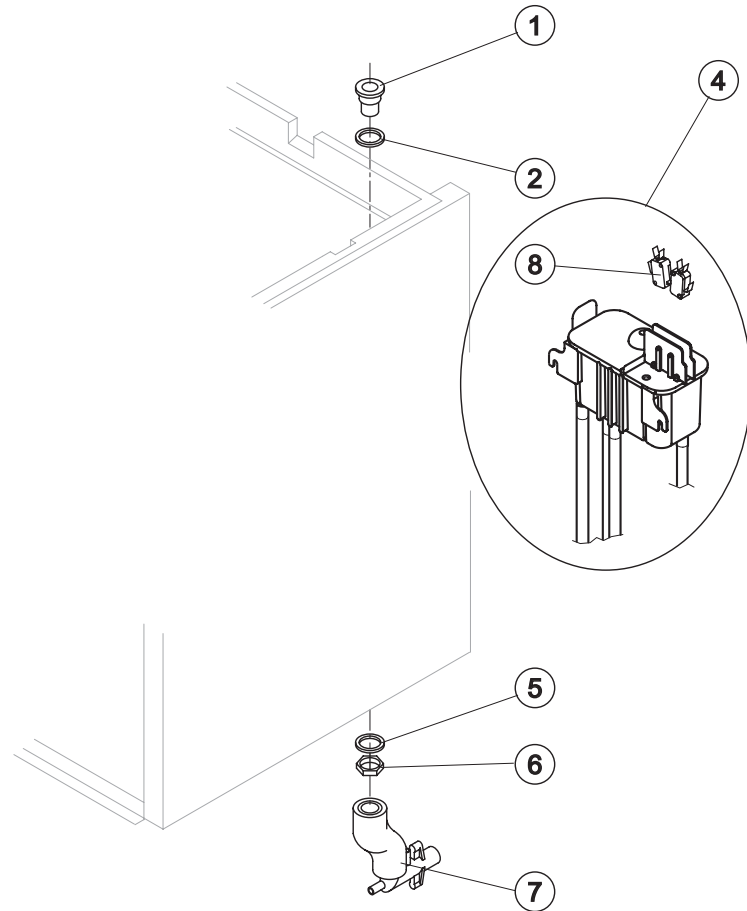


**KITNEVGB**



For Complete Evaporator,  
order C11140.  
Till s/n. 223592 order  
code KITNEVGB.

Ref.	Spare Description (from s/n. 211898)	Code
1	Insulating Cap	18170
2	Closing Disk	22825
3	Seeger	20043
4	Stainless Steel Screw	20663
5	Shimming Disk	22826
6	Self-Lubricating Disk	20631
7	Stainless Steel Thrust Bearing	20686
8	OR Gasket 3087	20688
9	Ice Breaker	20626
10	Auger	Current Version 20783
10	Auger with Screw	Till s/n. 223592 C20783
11	Ceramic Seal	20937
12	Insulated Evaporator	C11107
13	OR Gasket 3162 NBR70	20429
14	Reduction Ring	Current Version 20785
14	Reduction Ring	Till s/n. 223592 20624
15	Stainless Steel Bearing	Current Version 20782
15	Stainless Steel Bearing	Till s/n. 223592 20045
16	Flange	20629
17	Joint	Current Version D20784
17	Joint	Till s/n. 223592 D20630
18	Evaporator Assy	Current Versio C11140
18	Evaporator Assy	Till s/n. 223592 KITNEVGB
19	Insulating Cap	18171



### Common Parts

Ref.	Spare Description	Code
1	Water Outlet Nipple	10472
2	Silicone Gasket	13006
4*	Double Switch Basin Assembly	C10707
5	Semirigid Polyethylene Gasket	13007
6	Bin Discharge Nut	10096
8	Microswitch	23055

### Parts for Air-Cooled Version Only

Ref.	Spare Description	Code
7	Discharges Manifold	C10235

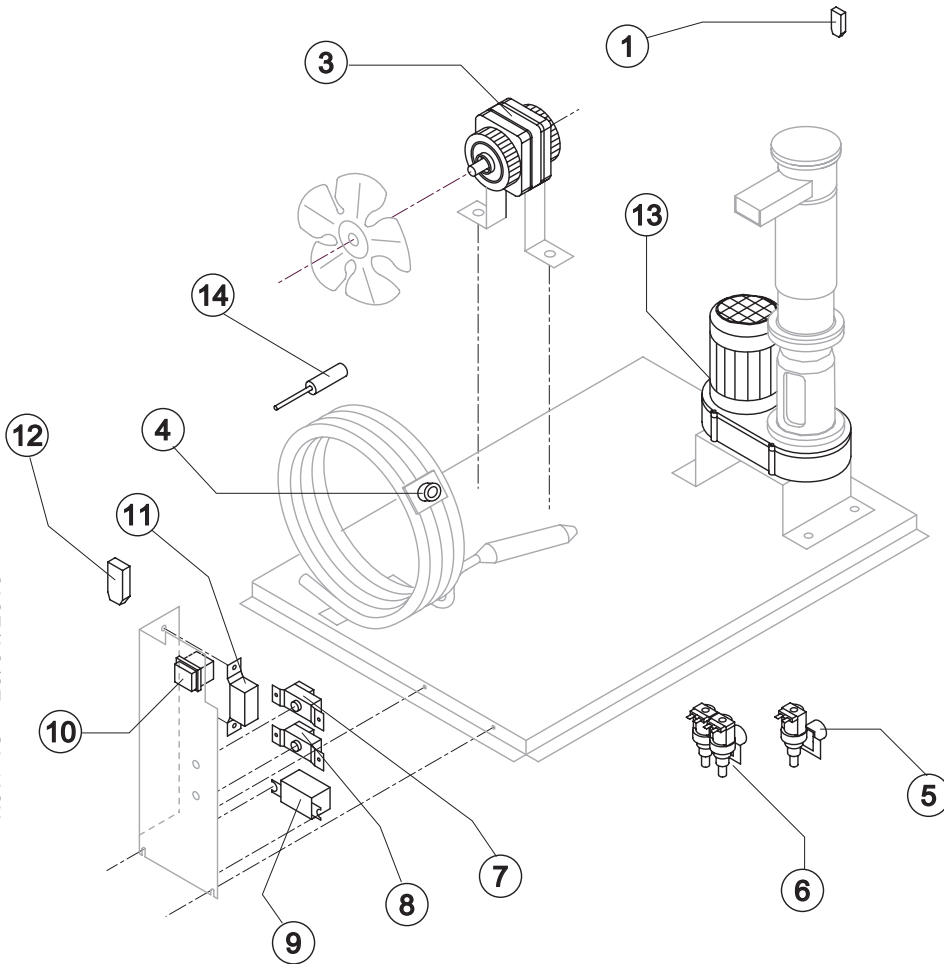
### Parts for Water-Cooled Version Only

Ref.	Spare Description	Code
7	Discharges Manifold	C10240



# GB 1555

# ELECTRIC PARTS



### Common Parts

Ref.	Spare Description	Code
1	Anti Radio Interference Filter	T11 C23457
3*	Fan Motor	See Table -
7*	Bin Thermostat	R23005
8*	Evaporator Thermostat	Till s/n. 613004 R23034
9*	Relay	See Table -
10*	Green Light Switch (On-Off)	23327
11*	Condenser Pressure Switch	See Table -
12	Anti Radio Interference Filter	T11 C23459
13	Gearmotor	See Table -
14	Low pressure safety switch	From s/n. 613005 23909

### Parts for Air-Cooled Version Only

Ref.	Spare Description	Code
5*	1 Way- Water Inlet Valve	See Table -

### Parts for Water-Cooled Version Only

Ref.	Spare Description	Code
4*	Safety Thermostat	C23114
6*	2 Ways- Water Inlet Valve	See Table -

#### Ref. 3\* - Fan Motor

Voltage	Air	Water
T11	23067	23029
T12	23681	23029
T13	23621	23683
T19	23621	23683

#### Ref. 5\* - 1 Way-Water Inlet Valve

Voltage	Code
T11	23115
T12	23115
T13	23410
T19	23410

#### Ref. 6\* - 2 Ways-Water Inlet Valve

Voltage	Code
T11	23010
T12	23010
T13	23261
T19	23261

#### Ref. 9\* - Relay

Voltage	Current Version	till s/n. 699275
T11	23190	23190
T12	23190	23190
T13	231099	23557
T19	231099	23557

#### Ref. 11\* - Cond. Pressure Switch

Voltage	Code
T11	23175
T12	23175
T13	23175
T19	23680

#### Ref. 13 - Gearmotor

Voltage	Current Version	Till s/n. 594455
T11	231030	R231030
T12	231030	R231030
T13	231056	R231056
T19	231056	R231056

Rev. 16 - 20/01/2015