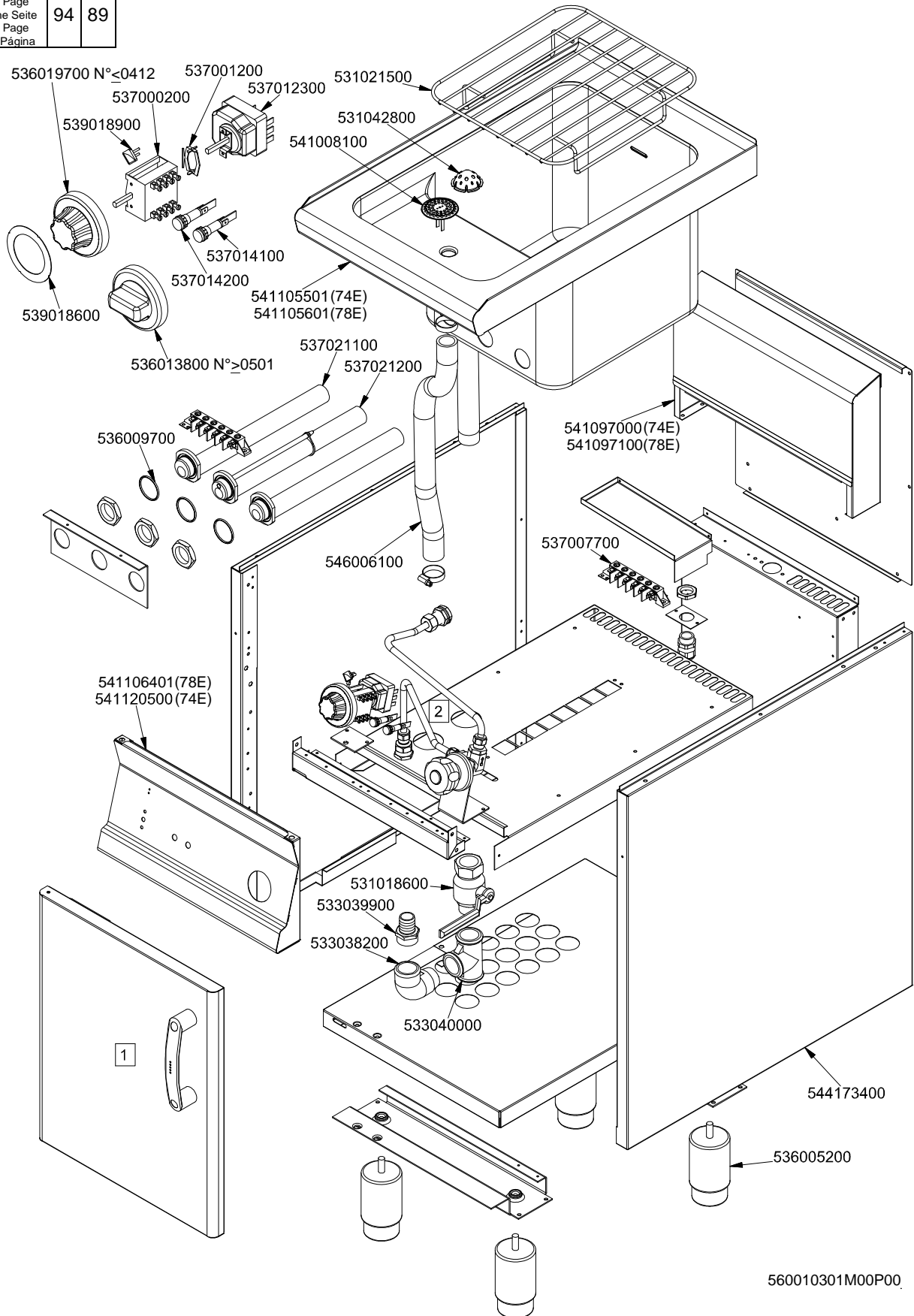


# SUPERLOTUS 70≤0601

ELETTRICO / ELECTRIC / ELEKTRO / ELECTRIQUE

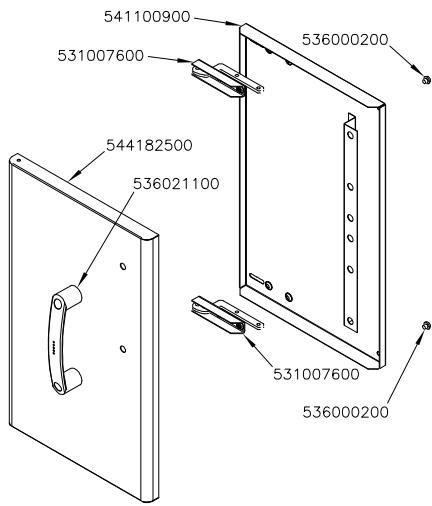
## CP-74ET CP-78ET N°≥0305

	1	2
Vedi Pagina See Page Siehe Seite Voir Page Ver Página	94	89

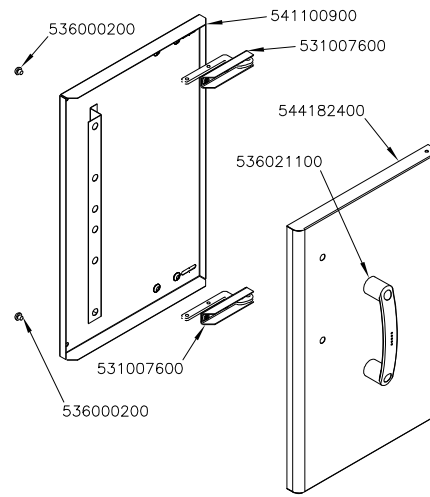


560010301M00P00

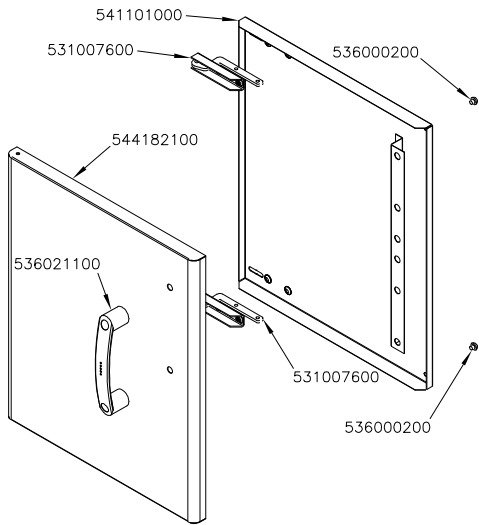
**PORTE / DOORS / FLÜGELÜREN / PORTES**



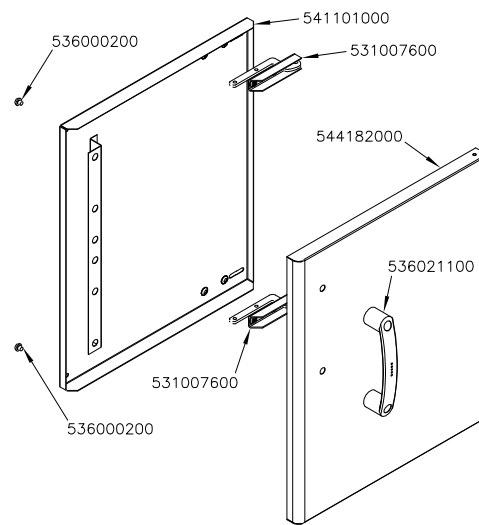
P-73/93 SX



P-73/93 DX

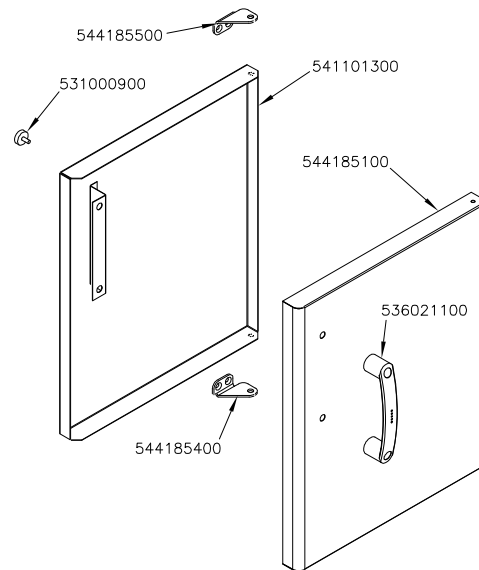


P-74/94 SX



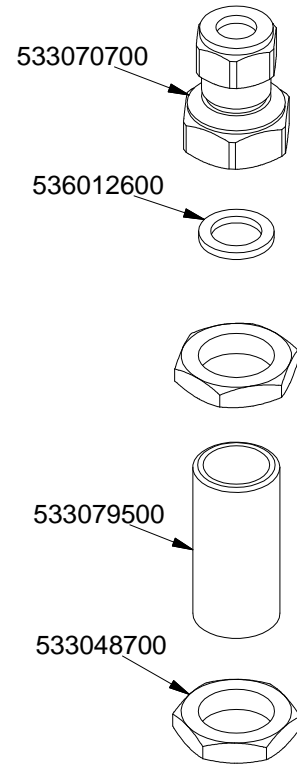
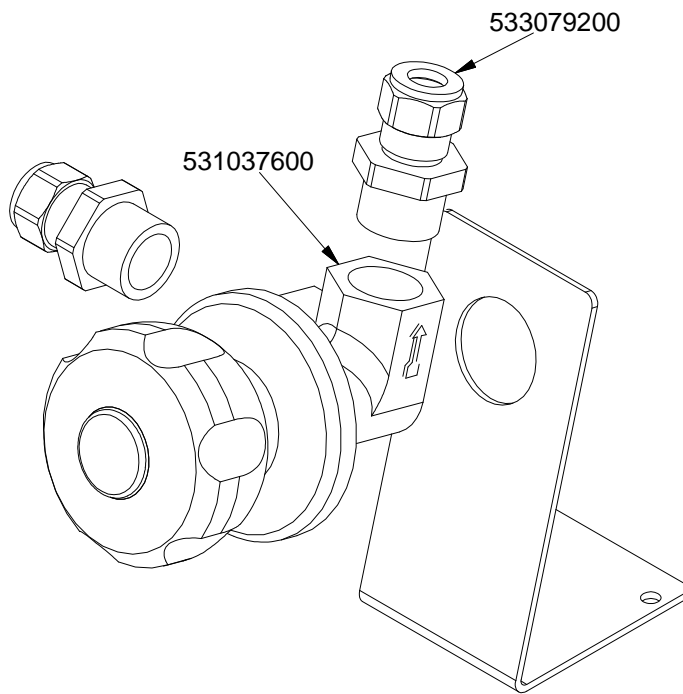
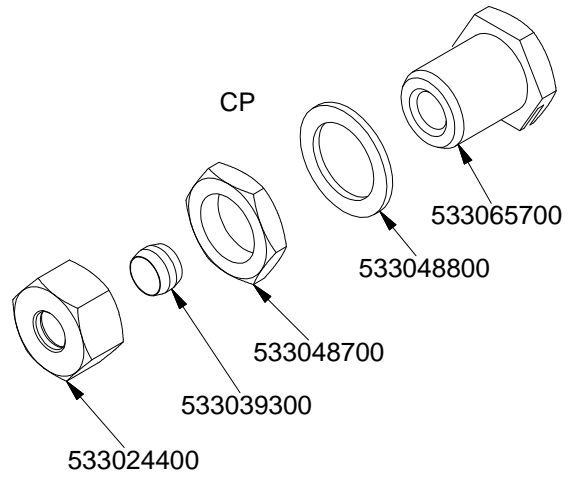
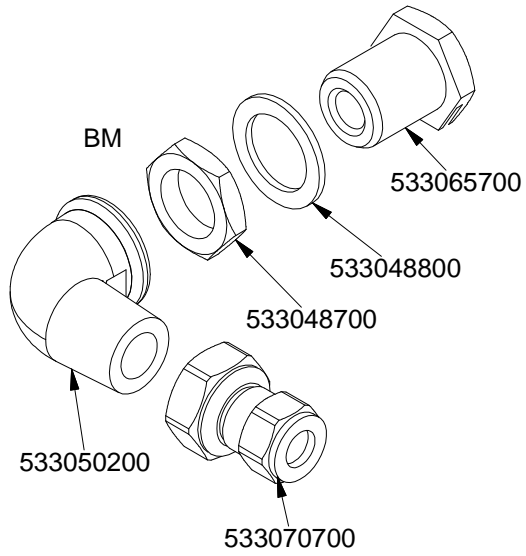
P-74/94 DX

560012800M00P00



P-74/94 DX CF

**BM CP**



560024000M00P00

Page	Pos	Code	Description
001		536019700	BLACK KNOB §70 PIN §6*5
001		537001200	FIXING BRACKET FOR THERMOSTAT/COMM.
001		531021500	BASKET SUPPORT GRID CP S.70
001		537000200	COMMUTATOR 1 POS. 3PHASE S.49 16A
001		537012300	THERMOSTAT 30/110°C THREEPHASE
001		531042800	SEMISPHERE FILTER
001		539018900	INDEX FOR KNOB
001		541008100	DRAIN FILTER TANK CP 700LINE
001		537014100	WHITE WARNING LIGHT 250V
001		537014200	GREEN WARNING LIGHT 250V
001		539018600	ADHESIVE GRADUATED DISC FOR KNOB
001		536013800	KNOB D.70 BLACK 6*5 WITH SPRING
001		536009700	GASKET O-RING SILIC.70 RED
001		537021100	HEATING ELEMENT 2000W
001		537021200	HEATING ELEMENT 2000W
001		541097100	NEUTRAL SPACER 78
001		541105601	UPPER PLATE CP-78E
001		537007700	TERMINAL BLOCK THREEPHASE 40A
001		546006100	RUBBER TUBE §25INT.*§33EXT.*L=560
001		541106401	CONTROL PANEL CP-78/98E
001		531018600	BALL VALVE 1"G M-F CPM-62G
001		533039900	PIPE HOLDER 1" G M D.24
001		533038200	1" G M-F ELBOW FITTING
001		533040000	1"G F-F-F "T" FITTING
001		544173400	RIGHT SIDE PANEL S.70
001		536005200	INOX LEG 2" 120-180 M10
002		541100900	INNER DOOR 73
002		536000200	D.12 H.4 BUMPER
002		531007600	DOOR HINGE
002		544182500	RIGHT DOOR 73
002		536021100	BLACK HANDLE 70LINE + 2RED POINTS
002		544182400	RIGHT DOOR 73
002		541101000	INNER DOOR 74
002		544182100	LEFT DOOR 74
002		544182000	RIGHT DOOR 74
002		544185500	UPPER DOOR HINGE FOR COMPARTME CF70
002		541101300	RIGHT INNER DOOR 74 CF
002		531000900	MAGNET §22 KG.3 WITH DISK
002		544185100	RIGHT DOOR 74
002		544185400	LOWER DOOR HINGE FOR COMPARTME CF70
003		533065700	FITTING FOR WATER INPUT 1/2G
003		533048800	GASKET §30*§21*2 FIBRE
003		533048700	NUT 1/2G ZN
003		533039300	BICONE §10
003		533024400	HEXAGONAL NUT 1/2G TUBE D.10
003		533070700	FITTING 1/2G TUBE D10 + O-RING
003		536012600	GASKET §12,5*§18,5*2 1/2G
003		533079500	
003		533079200	FITTING 1/2G F.TUBE D10 + O-RING
003		531037600	TAP FOR WATER LOADING 1/2"GF CP 90