



Würfeleisbereiter kl. Würfel, Wasserk., 200 kg/24 h, ohne Speicher

Artikel-Nr.
711065 (VM500W)

Explosionszeichnung / Ersatzteile

Bitte bei Ersatzteilbestellung immer Artikelnummer und
Seriennummer mit angeben!



VM 500

LIST OF THE EXPLODED VIEWS

From s/n. 297566 up Today



SHELL ASSY

COOLING SYSTEM

HYDRAULIC CIRCUIT

SPRAYER PUMP

ELECTRIC PARTS

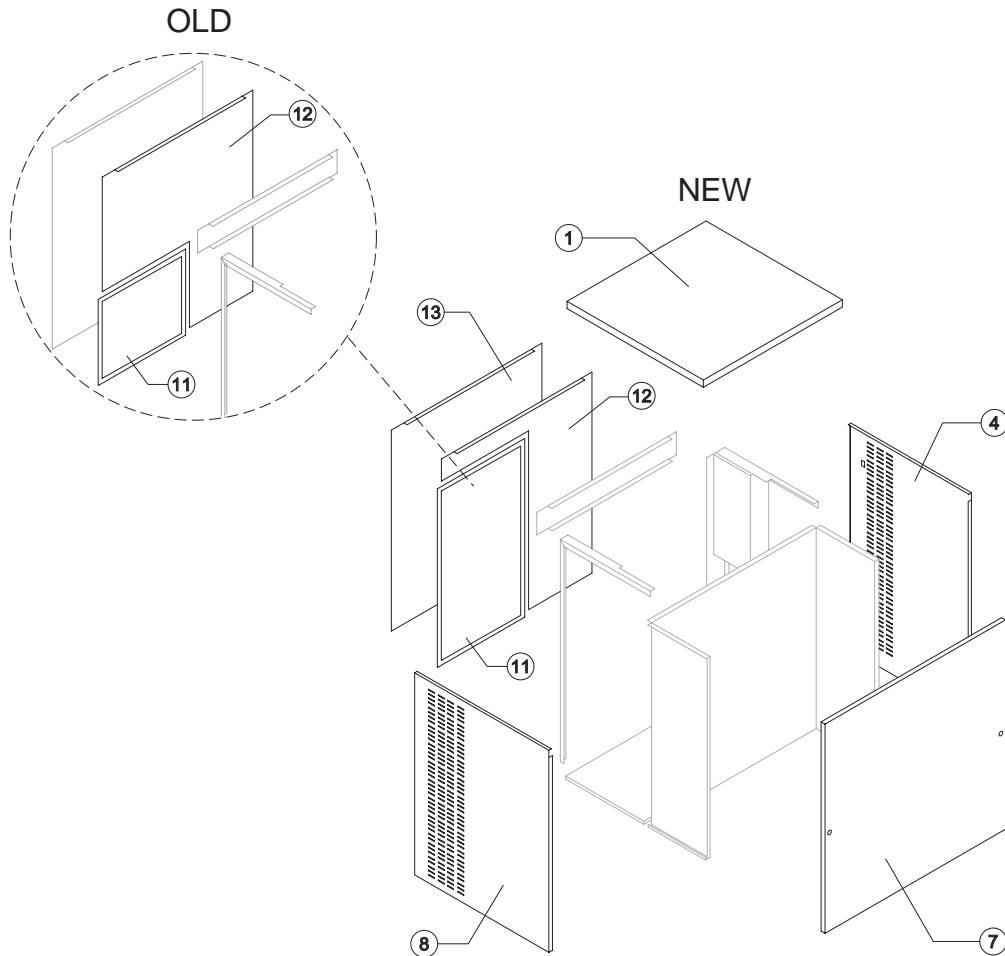
Rev. 12 - 29/05/2018



VM 500

From s/n. 297566 up Today

SHELL ASSY



Common Parts

Ref.	Spare Description	Code
1	Top Assembly	C22813
4	Right Side Panel	22408
7	Front Panel Assembly	C22816
8	Left Side Panel	22822
10	Rear Cross Bar	22817

Parts for Air-Cooled Version Only

Ref.	Spare Description	Code
11*	Filter	See Table
12	Rear Panel	See Table

Parts for Water-Cooled Version Only

Ref.	Spare Description	Code
13	Rear Panel	21285

Ref. 11 - Filter

Version	Code
NEW	18178
OLD	18163

Ref. 12 - Rear Panel

Version	Code
NEW	21324
OLD	21286

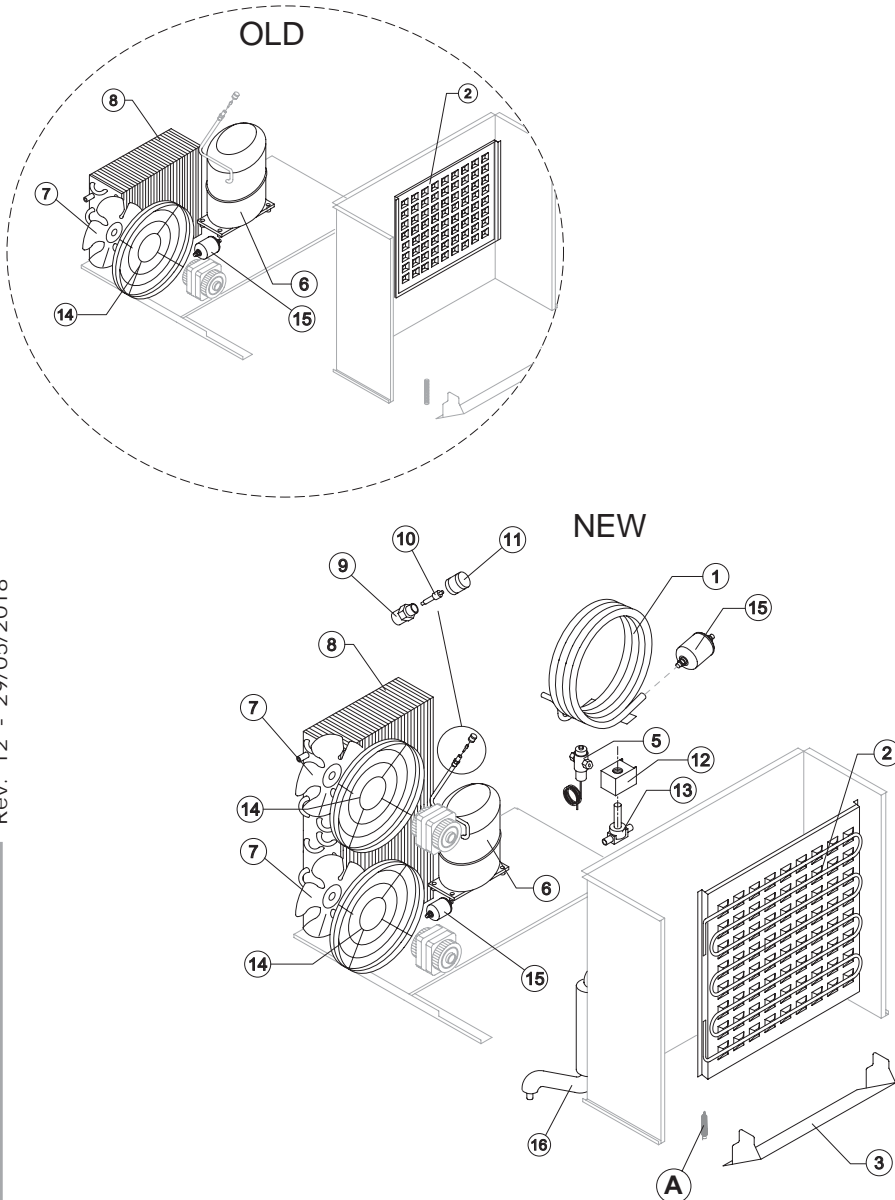
Rev. 12 - 29/05/2018



VM 500

From s/n. 297566 up Today

COOLING SYSTEM



Common Parts

Ref.	Spare Description	Code
2	Evaporator	See Table
3	Horizontally Hinged Panel	22608
6	Compressor	See Table
9	Vacuum-Charge Valve Body	14007
10*	Vacuum-Charge Valve Device	14005
11*	Vacuum-Charge Valve Plug	14006
12*	Hot Gas Valve Coil	231294
13*	Hot Gas Valve Body	20409
15*	Liquid Line Drier	14084
16	Suctin Line	for the spare parts code give us the s/n.

Parts for Air-Cooled Version Only

Ref.	Spare Description	Code
7	Sucking Fan	See Table
8	Air Condenser	See Table
14	Fan Motor Grid	12054

Parts for Water-Cooled Version Only

Ref.	Spare Description	Code
1	Water Condenser	14081
5	Pressostatic Valve	20210

! Eliminated the Spring (horizontally hinged panel) ref. A, suggested removal even from the models where they are present.

Ref. 1 - Evaporator

Version	Code
NEW	D10228
OLD	D10227

Ref. 6 - Compressor

Voltage	NEW	OLD
T11	23840	23543
T12	23897	23642

Ref. 7 - Sucking Fan

Voltage	Code
NEW	20153
OLD	20407

Ref. 8 - Air Condenser

Voltage	Code
NEW	20406
OLD	20670

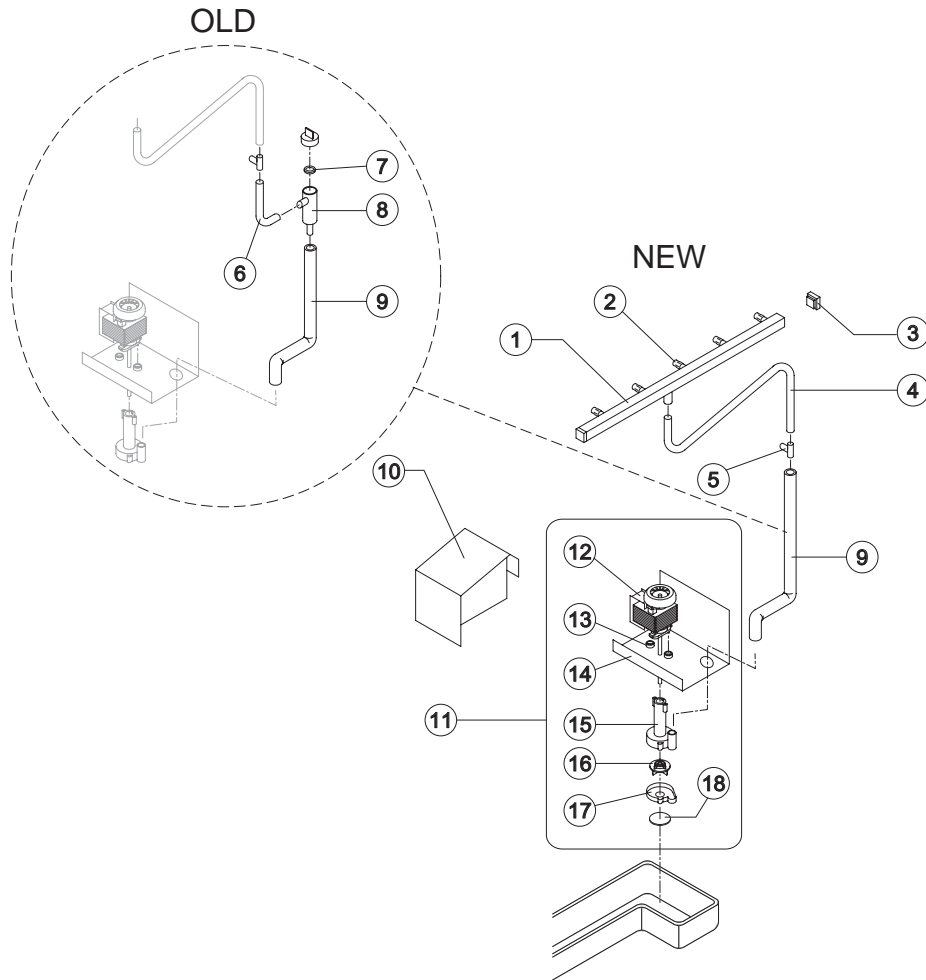
Rev. 12 - 29/05/2018



VM 500

From s/n. 297566 up Today

SPRAYER PUMP



Ref.	Spare Description	Code
1*	Sprayers Bar Assembly	C20465
2	Sprayer	D20002
3	Sprayers Bar Plug	10012
4	Sprinkler Bar Connecting Pipe ("T" Shaped)	13134
5	Plastic "T" ø 20	10082
6	Sprayers Feeding Pipe	OLD version 13005
7	Pump Filter Gasket	OLD version 13080
8	Pump Filter	OLD version 10139
9	"T" - Pump Connection Pipe	See Table
10	Protection Pump Panel	22804
11*	Pump Assembly	See Table
12	Pump	See Table
13	Pump Motor Shim	20510
14	Pump Motor Support	22799
15	Pump Body	10065
16	Pump Impeller	See Table
17	Diffusor	10067
18	Pump Filter	20518

Ref. 9 - "T" - Pump Connection Pipe

Version	Code
NEW	13113
OLD	13157

Ref. 12 - Pump

Voltage	Code
T11	23073
T12	23187

Ref. 11* - Pump Assy

Voltage	Code
T11	C23624
T12	C23616

Ref. 16 - Pump Impeller

Voltage	Code
T11	10066
T12	10138

Rev. 12 - 29/05/2018

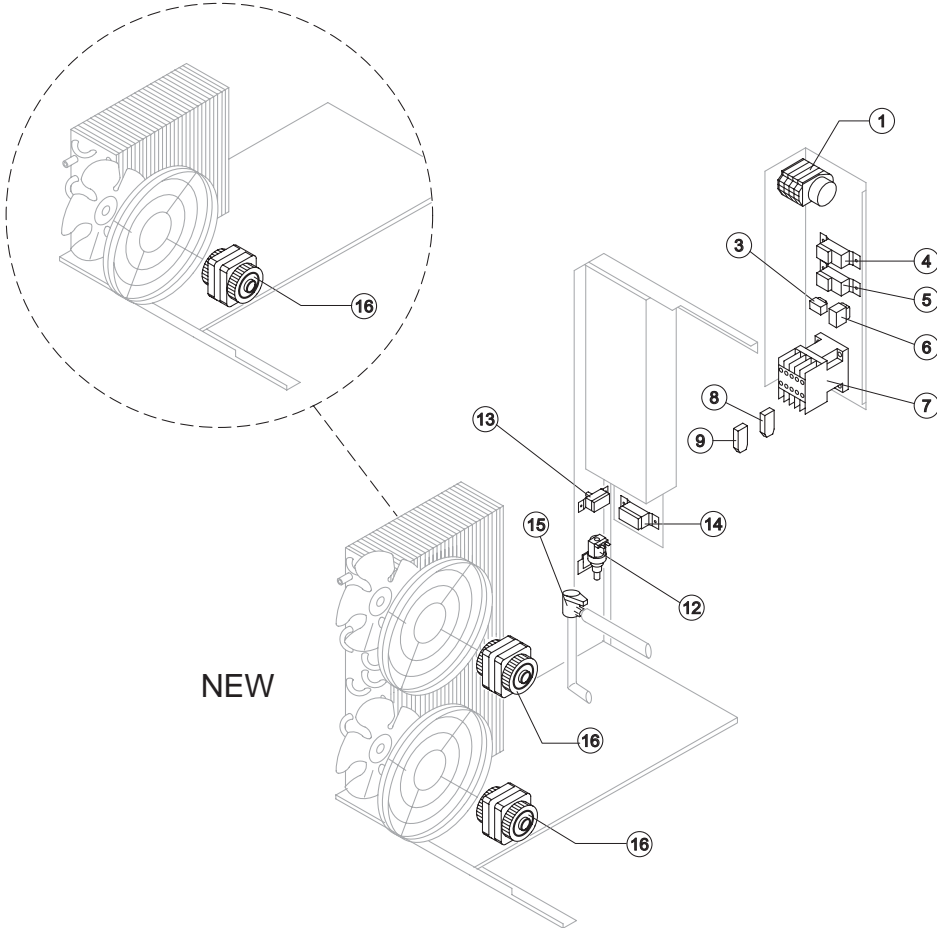


VM 500

From s/n. 297566 up Today

ELECTRIC PARTS

OLD



NEW

Common Parts

Ref.	Spare Description	Code
1*	Timer	See Table
3	"Cleaning" Switch	23619
4*	Bin Thermostat	R23005
5*	Evaporator Thermostat	R23597
6*	Green Light Switch (On-Off)	23327
7*	Contactor	See Table
12*	1 Way- Water Inlet Valve	23787
13	Safety Pressure Switch	23342
15*	Water Outlet Valve	23537

Parts for Air-Cooled Version Only

Ref.	Spare Description	Code
8	Anti Radio Interference Filter	Only T11 C23459
9	Anti Radio Interference Filter	Only T11 C23458
14*	Condenser Pressure Switch	23175
16*	Fan Motor	23121

Ref. 1* - Timer

Voltage	Code
T11	23635
T12	23632

Ref. 7* - Contactor

Voltage	Code
T11	23147
T12	23963