

Eclipse 2000 Service Parts

This part list contains the service parts for the Eclipse 2000 systems.

The models that are covered include:

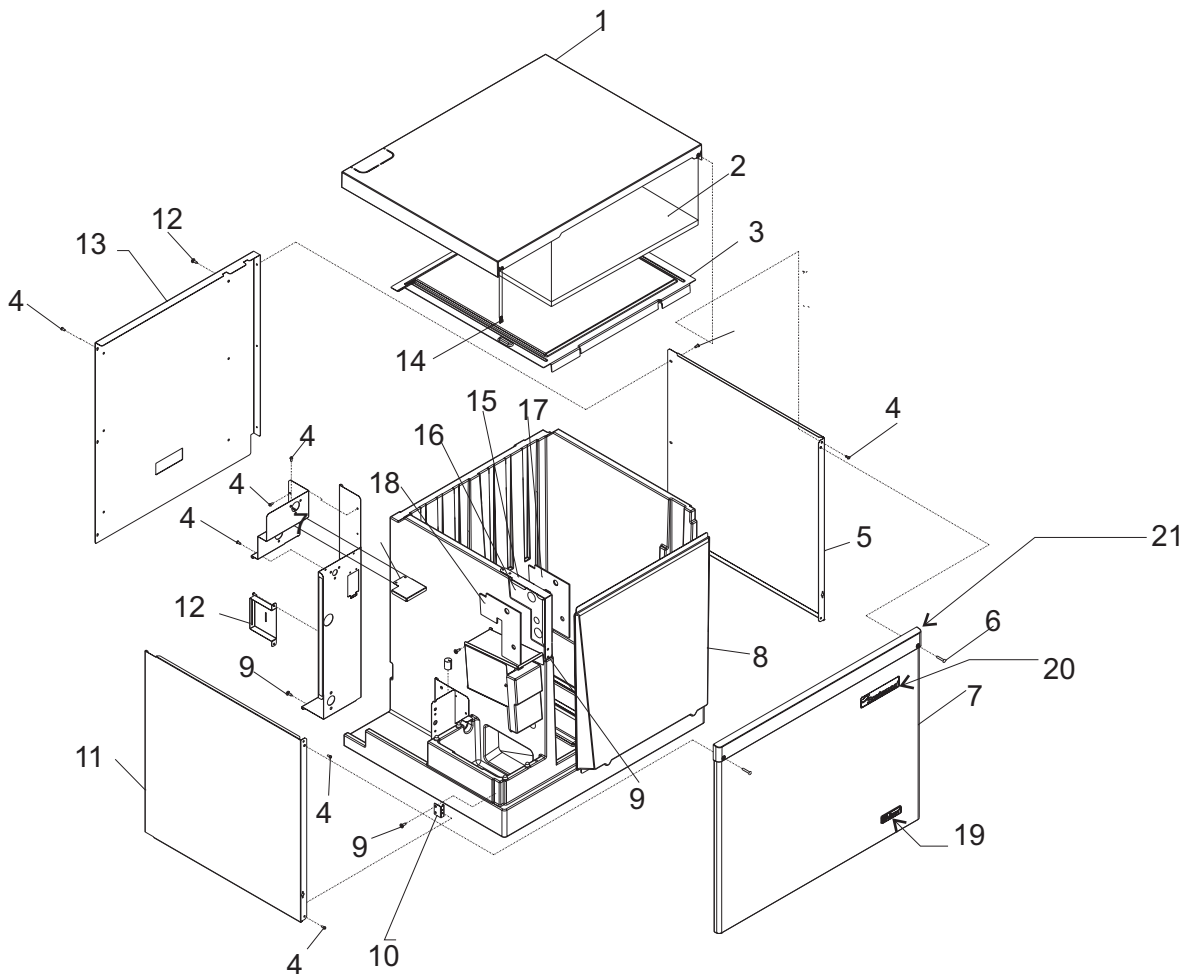
- CME2086
- CP2086
- ERC2086

Table of Contents

| | |
|---|---------|
| CME2086 Cabinet | Page 2 |
| CME2086 Interior Parts | Page 3 |
| CME2086 Refrigeration System | Page 4 |
| CME2086 Electrical | Page 5 |
| CP2086 Cabinet | Page 6 |
| CP2086 Refrigeration Systems | Page 7 |
| CP2086 Control Box | Page 8 |
| Remote Condensers | Page 9 |
| CME2086 Schematic Diagram | Page 10 |
| CME2086 Wiring Diagram | Page 11 |
| CP2086 Single Phase Schematic Diagram | Page 12 |
| CP2086 Single Phase Wiring Diagram | Page 13 |
| CP2086 Three Phase Wiring Diagram | Page 14 |
| CP2086 Three Phase Schematic Diagram | Page 15 |

Eclipse 2000 Service Parts

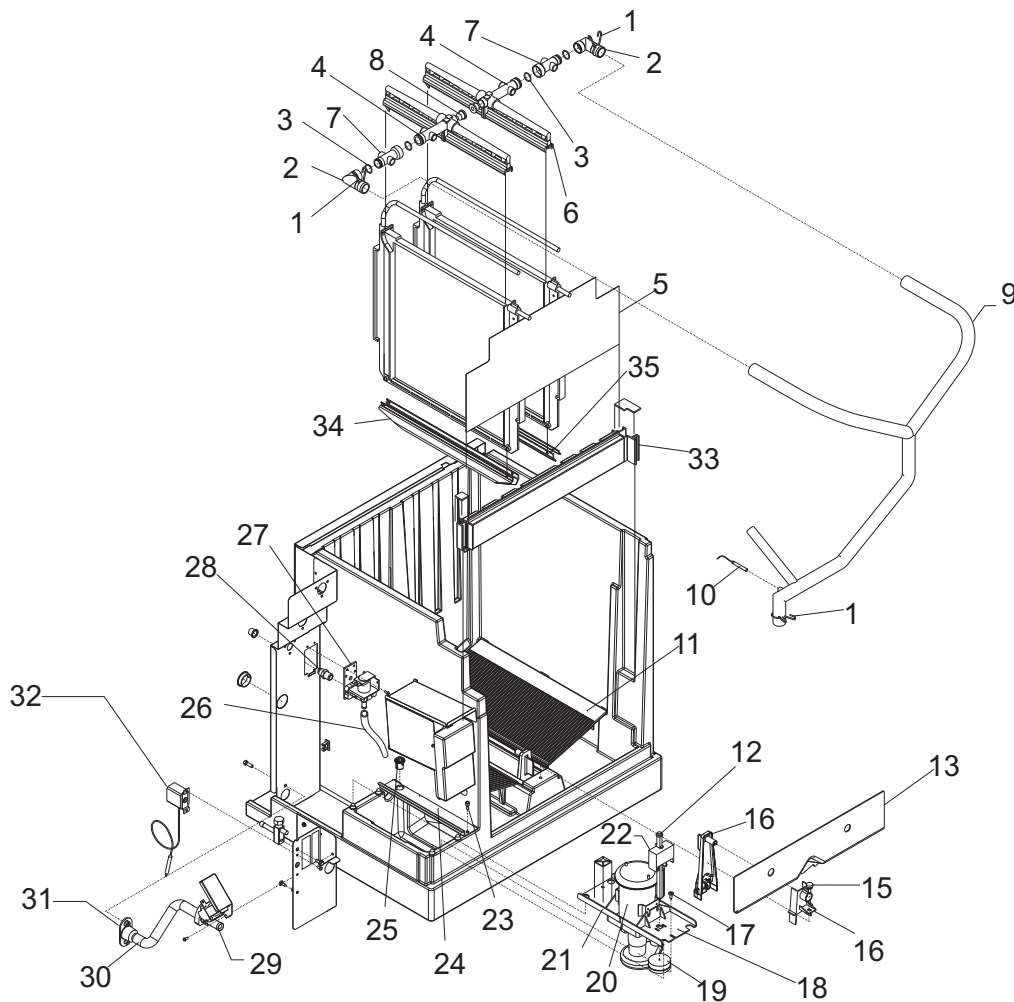
CME2086 Cabinet



| Item Number | Part Number | Description | Item Number | Part Number | Description |
|-------------|-------------|---------------------------------------|-----------------------------------|-------------|-----------------|
| 1 | 02-4001-21 | Top panel | 14 | 03-1423-06 | Speed nut |
| 2 | 02-3783-01 | Insulation | 15 | A37218-001 | Tube cover |
| 3 | 02-3955-01 | Inner top panel | 16 | 02-3696-01 | Tube grommet |
| 4 | 03-1531-01 | Screw | 17 | 02-3696-02 | Grommet left |
| 5 | A38281-021 | Right side panel | 18 | 02-3696-03 | Grommet right |
| 6 | 03-1735-01 | Panel screw | 19 | 15-0811-01 | Eclipse emblem |
| 7 | A38373-021 | Front panel, includes items 19 and 20 | 20 | 15-0808-01 | Scotsman emblem |
| 8 | 02-3702-01 | Evaporator cover | 21 | 02-3794-01 | Trim strip |
| | 02-3742-01 | Insulation for cover | Not Shown, Front Panel Fasteners: | | |
| 9 | 03-1404-18 | Screw | 22 | 03-1734-01 | Insert |
| 10 | A38338-001 | Side mounting bracket | 23 | 03-1417-27 | Washer |
| 11 | A38280-021 | Left side panel | 24 | 03-1733-01 | Ball stud |
| 12 | A38339-001 | Slotted panel bracket | | | |
| 13 | A38279-001 | Back panel | | | |

Eclipse 2000 Service Parts

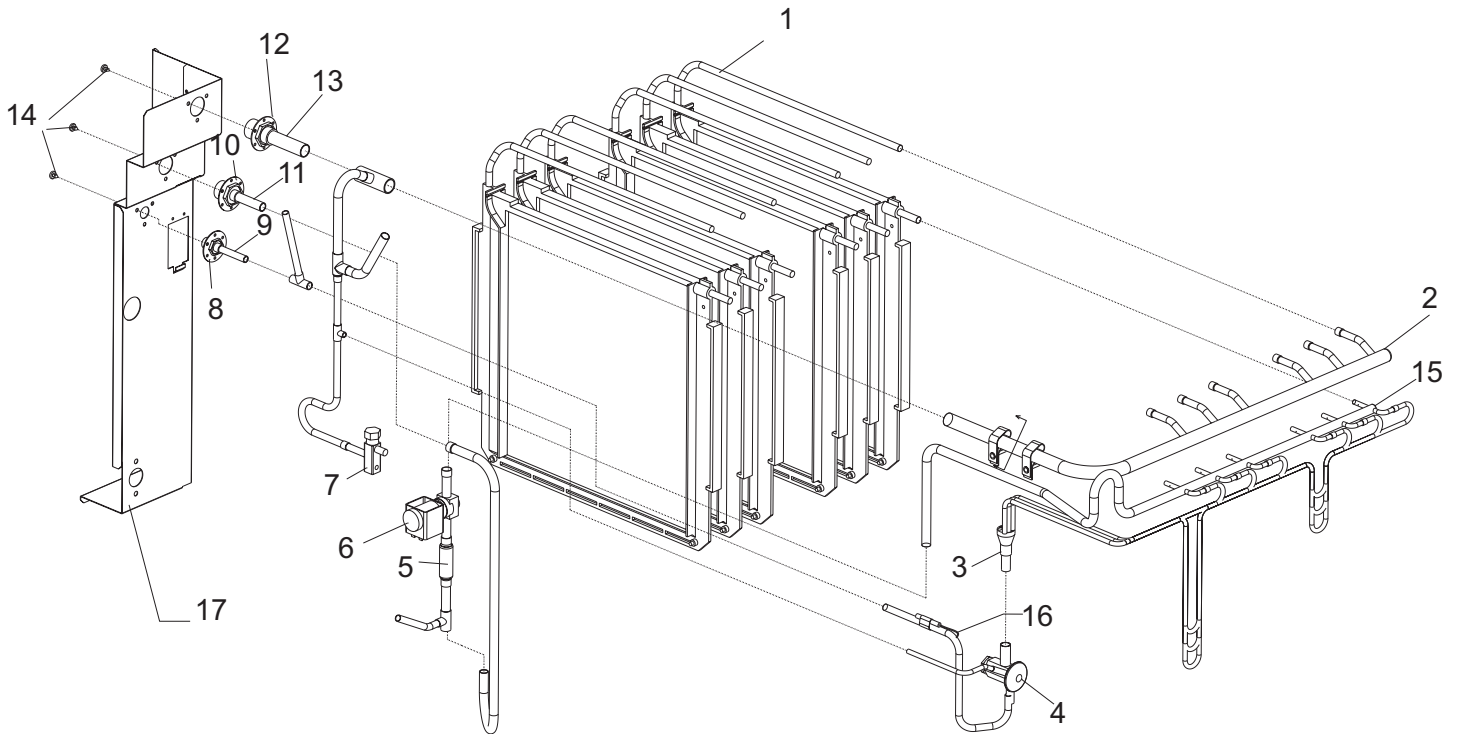
CME2086 Interior Parts



| Item Number | Part Number | Description | Item Number | Part Number | Description |
|-------------|-------------|-------------------------|-------------|-------------|---------------------------|
| 1 | 02-3725-01 | Hose clamp | 19 | 02-3341-01 | Float |
| 2 | 02-3613-01 | Elbow | 20 | 12-2876-21 | Water pump |
| 3 | 13-0617-48 | O-ring | 21 | 02-3388-05 | Pump bracket half |
| 4 | 02-3518-01 | Water manifold | 22 | 11-0539-51 | Water level sensor |
| 5 | 02-3708-01 | Top front inner panel | 23 | 03-1691-01 | Plastic screw |
| 6 | 02-2527-01 | Water distributor | 24 | 02-3960-01 | Sump cover |
| 7 | 02-3519-01 | Manifold fitting | 25 | 02-3978-01 | Hose bushing |
| 8 | 13-0840-01 | Rubber plug | 26 | 13-0674-02 | Hose, order 2, use 14 in. |
| 9 | 02-3660-01 | Pump hose | 27 | 12-2548-01 | Water inlet sol valve |
| 10 | 11-0515-21 | Temp sensor set | 28 | 16-0355-00 | Coupling half |
| 11 | 02-3337-02 | Cube deflector | 29 | 11-0514-02 | Purge valve |
| 12 | 02-3383-09 | CME2086 float stick | 30 | 02-3980-01 | Hose |
| 13 | 02-3680-01 | Lower front inner panel | 31 | 02-3692-21 | Drain fitting |
| 14 | 11-0540-21 | Ice sensor set | 32 | 11-0521-21 | Bin thermostat |
| 15 | 02-3689-01 | Front sensor mount | | 02-3740-01 | Thermostat bracket |
| 16 | 03-0727-09 | Mounting screw | | 03-1675-03 | Attaching bolt |
| 17 | 03-1404-18 | Screw | 33 | A37337-001 | Evaporator bracket |
| 18 | 02-3388-04 | Pump bracket half | 34 | 02-3672-02 | Left water trough |
| | | | 35 | 02-3672-01 | Right water trough |

Eclipse 2000 Service Parts

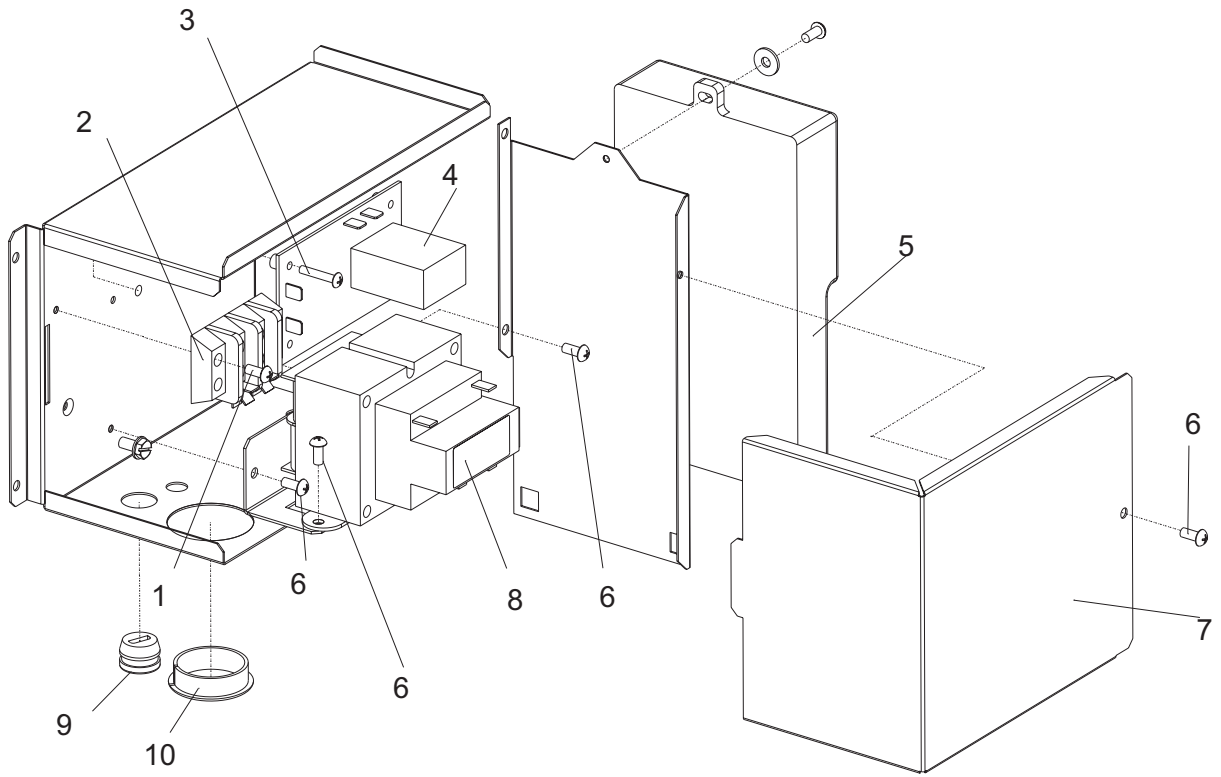
CME2086 Refrigeration System



| Item Number | Part Number | Description | Item Number | Part Number | Description |
|-------------|-------------|-----------------------|-------------|-------------|-----------------|
| 1 | A37315-021 | Evaporator | 8 | 16-0701-07 | Mounting flange |
| 2 | 16-1102-02 | Suction header | 9 | 16-0850-03 | Quick connect |
| 3 | A38437-021 | Distributor assembly | 10 | 16-0701-14 | Mounting flange |
| 4 | 16-1041-21 | TXV ANE1 ¼ SZ | 11 | 16-0850-01 | Quick connect |
| | 02-3792-01 | TXV insulation | 12 | 16-0701-18 | Mounting flange |
| 5 | 16-1063-03 | Strainer | 13 | 16-0850-04 | Quick connect |
| 6 | 11-0507-23 | Vapor inlet valve | 14 | 03-1405-15 | Screw |
| 7 | 16-0832-20 | Low side access valve | 15 | 16-1106-01 | Hot gas header |
| | | | 16 | 11-0515-21 | Temp sensor set |
| | | | 17 | A38336-001 | Bracket |

Eclipse 2000 Service Parts

CME2086 Electrical



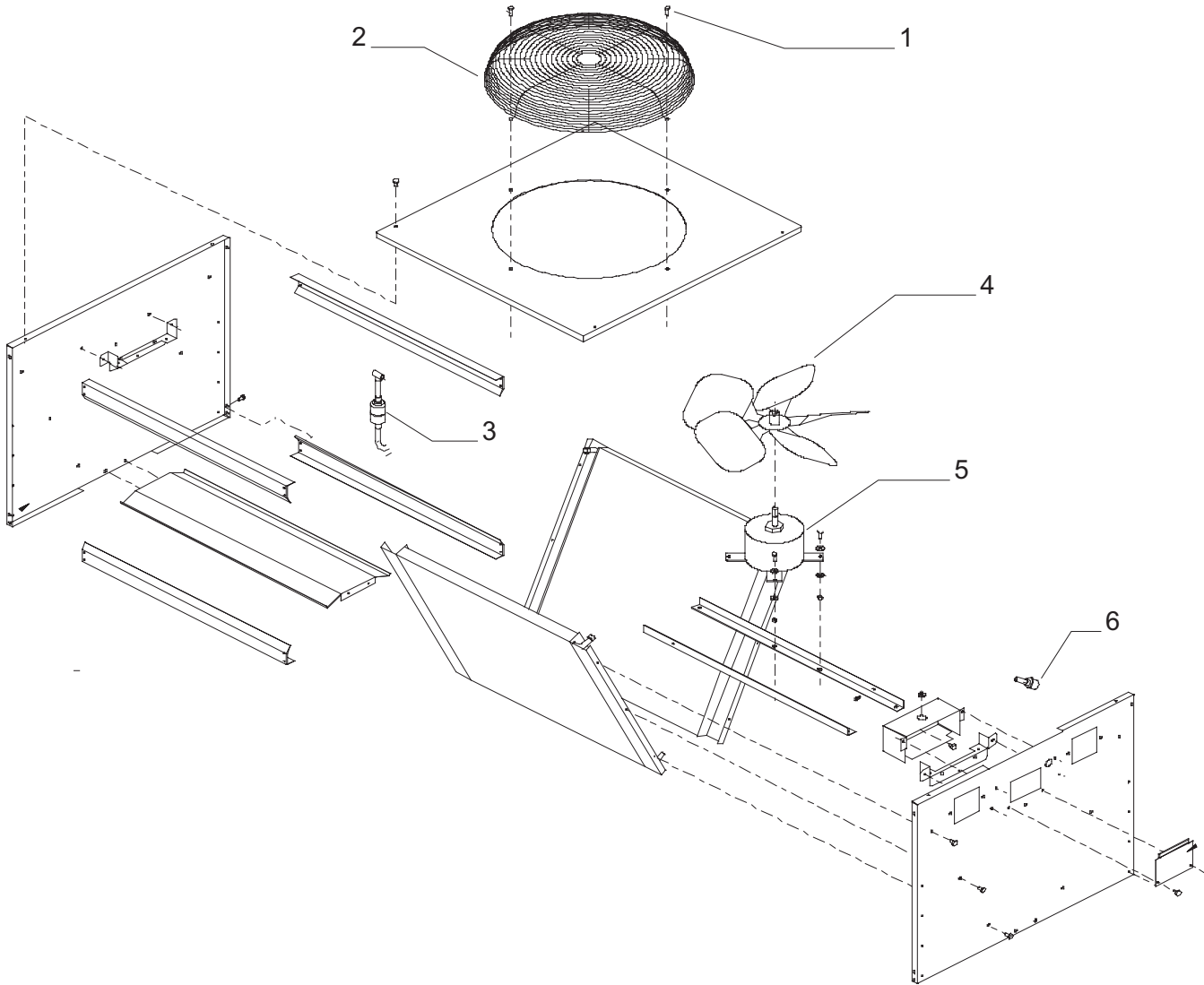
| Item Number | Part Number | Description |
|-------------|-------------|-------------------|
| 1 | 03-1531-08 | Screw |
| 2 | 12-2780-01 | Terminal block |
| 3 | 03-1638-01 | Screw |
| 4 | 11-0531-22 | Purge valve timer |
| 5 | 12-2838-23 | Controller |
| 6 | 03-1531-01 | Screw |
| 7 | A38284-001 | Control box cover |
| 8 | 12-2860-01 | Transformer |
| 9 | 12-0629-08 | Snap bushing |
| 10 | 12-1213-13 | Snap bushing |

Not illustrated:

| | | |
|----|------------|--------------------|
| 11 | 12-1638-20 | Power cord |
| 12 | 12-2878-01 | Hi voltage harness |
| 13 | 12-2877-01 | Lo voltage harness |

Eclipse 2000 Service Parts

Remote Condensers



Model ERC2086

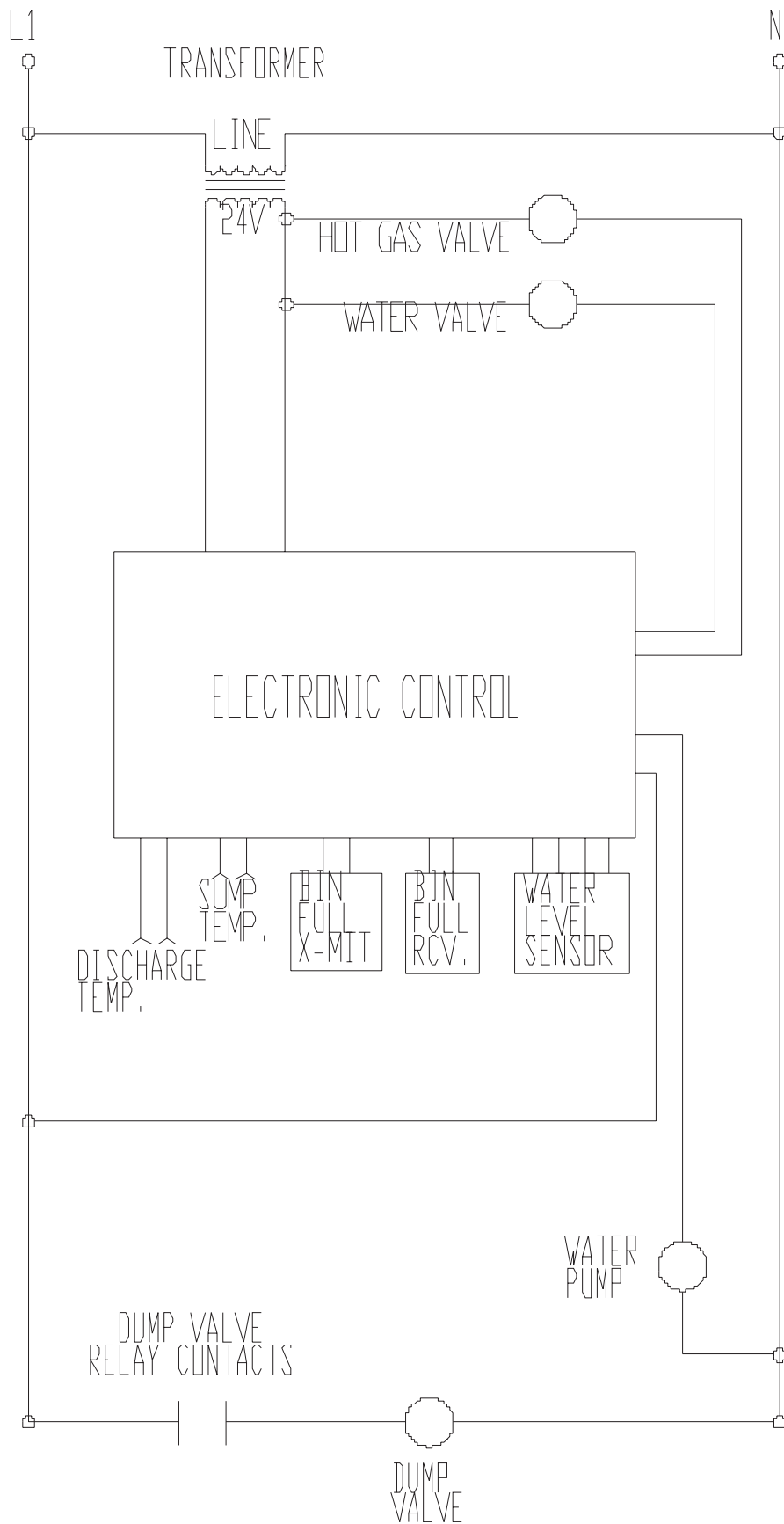
Not Shown:

| Item Number | Part Number | Description |
|-------------|-------------|--------------------------|
| 1 | 03-1405-08 | Screw |
| 2 | 02-3770-01 | Fan guard |
| 3 | 02-3231-03 | Filter |
| 4 | 18-8820-01 | Fan blade |
| 5 | 12-2717-01 | Fan motor |
| | 18-8878-01 | Motor capacitor |
| 6 | 16-1057-04 | Quick connect, discharge |
| | 16-1057-03 | Quick connect, liquid |

| | |
|------------|----------------|
| A37169-001 | Leg |
| A37296-001 | Leg brace |
| 03-1645-01 | Screw for legs |

Eclipse 2000 Service Parts

CME2086 Schematic Diagram

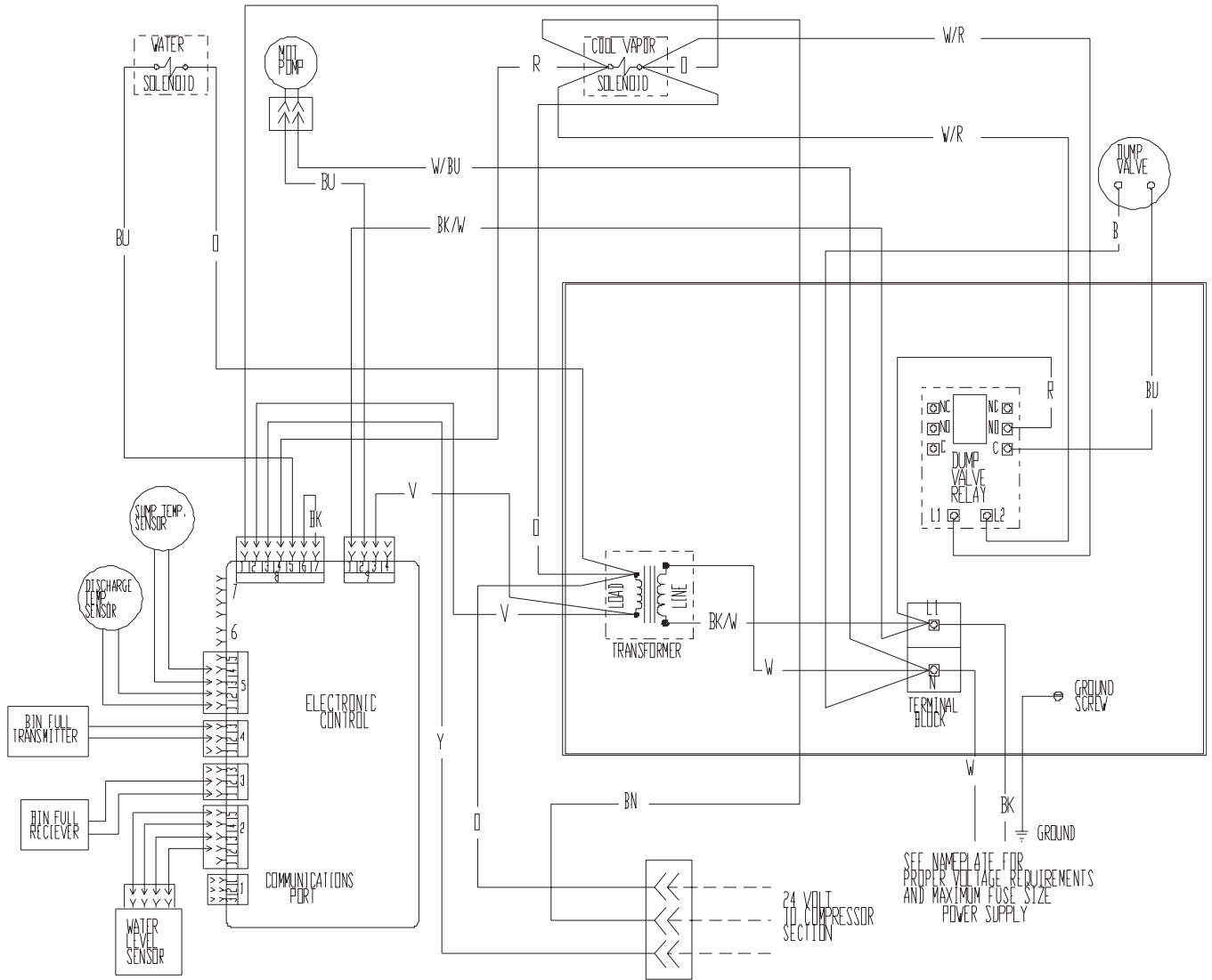


Eclipse 2000 Service Parts

CME2086 Wiring Diagram

17-2890-01

USE COPPER CONDUCTORS ONLY



CAUTION:

MORE THAN ONE DISCONNECT MEANS MAY BE REQUIRED TO DISCONNECT ALL POWER TO THIS UNIT.

THIS UNIT MUST BE GROUNDED.

⚠ DASHED LINES INDICATE FIELD WIRING WHICH MUST BE INSTALLED IN ACCORDANCE WITH THE NATIONAL ELECTRICAL CODE AND ALL STATE AND LOCAL CODES.