

WAREWASHER

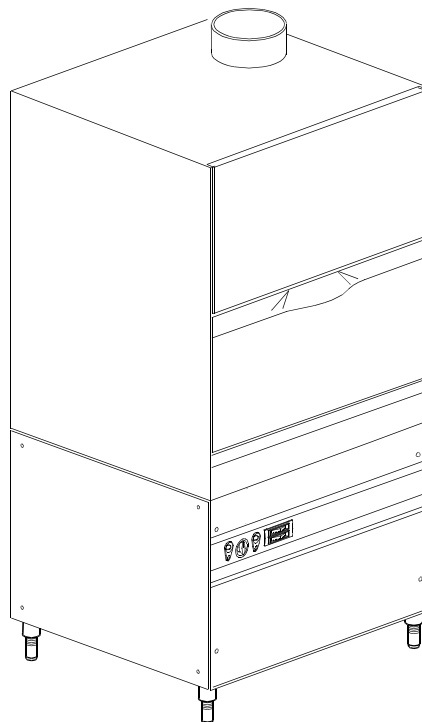
ELECTROMECHANICAL SWITCHES
SIMPLE BODY VERSION

TYPE: 19U

Accessories
BOOSTER PUMP
DVGW

DETERGENT DISPENSER

Spare parts



S/N:

Valid from:..11/2002

Rev.: 0.0

1. Spare parts

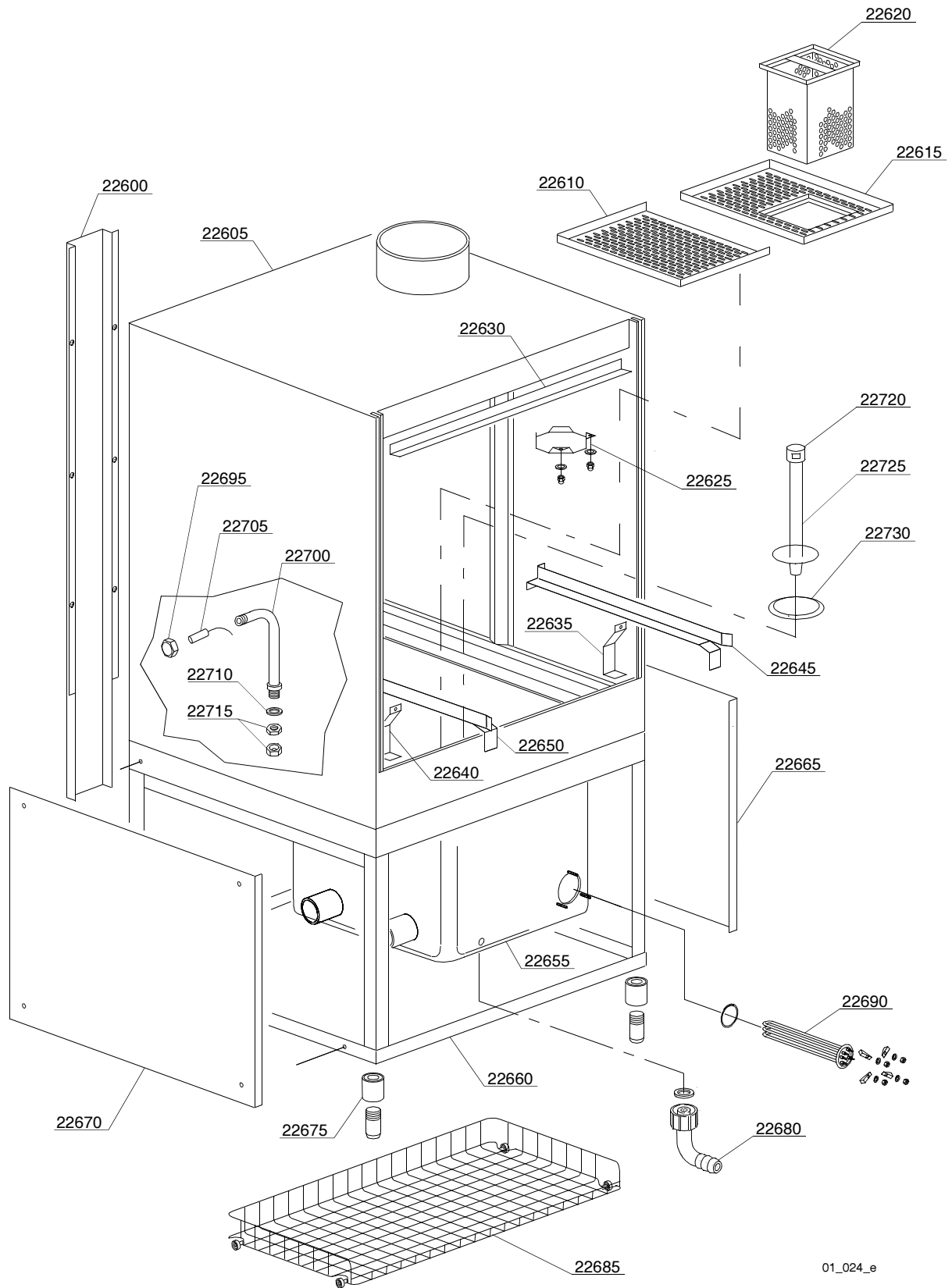
General body parts.....	7
Lockup system	9
Control panel	11
Control electric components.....	13
Solenoid valve group	15
Booster pump.....	17
DVGW	19
Shining product dosing device group .	21
Boiler group	23
3 ways derivation.....	25
Wash pump	27
Dosing device group	29
Dosing device group	31
Drain pump group.....	33
Pressure switch group with air trap ...	35
Turret group with rotating arms	37

1.1 Voltage codes

Voltage code	Voltage
A	3/N/PE~400/230V 50Hz
B	~250V 16A 50Hz
C	3/N/PE~380/220V 50Hz
D	3/PE~200V 50-60Hz
F	2/PE 220-240V 50Hz
G	3/N/PE~415/240V 50Hz
H	3/PE~230V 50Hz
I	3/PE~220V 60Hz
J	3/PE~380 50Hz
K	3/PE~400V 50Hz
L	3/PE~415V 50Hz
M	3/PE~440V 60Hz
N	3/PE~460V 60Hz
O	3/PE~480V 60Hz
P	1/N/PE~220-240V 50Hz
R	2/PE~220-230V 60Hz
S	3/N/PE~400/230V 50Hz
T	3/PE~230V 60Hz

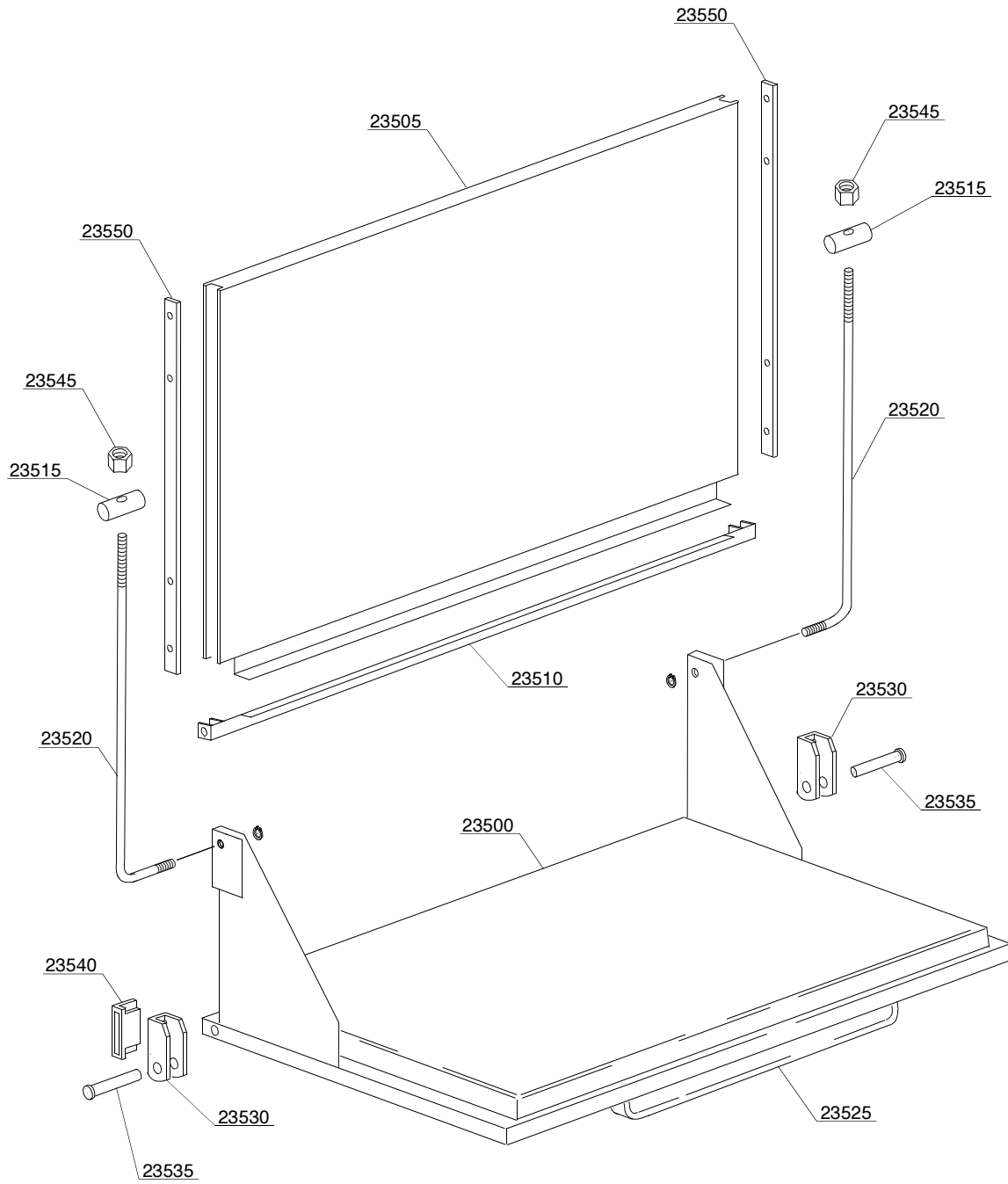
1.2 Product codes

Product code	Full name
Model codes	
em	ELECTROMECHANICAL SWITCHES
mc	SIMPLE BODY VERSION
Type codes	
19U	19U
Accessory codes	
pap	BOOSTER PUMP
dvgw	DVGW
dde	DETERGENT DISPENCER



Spare parts

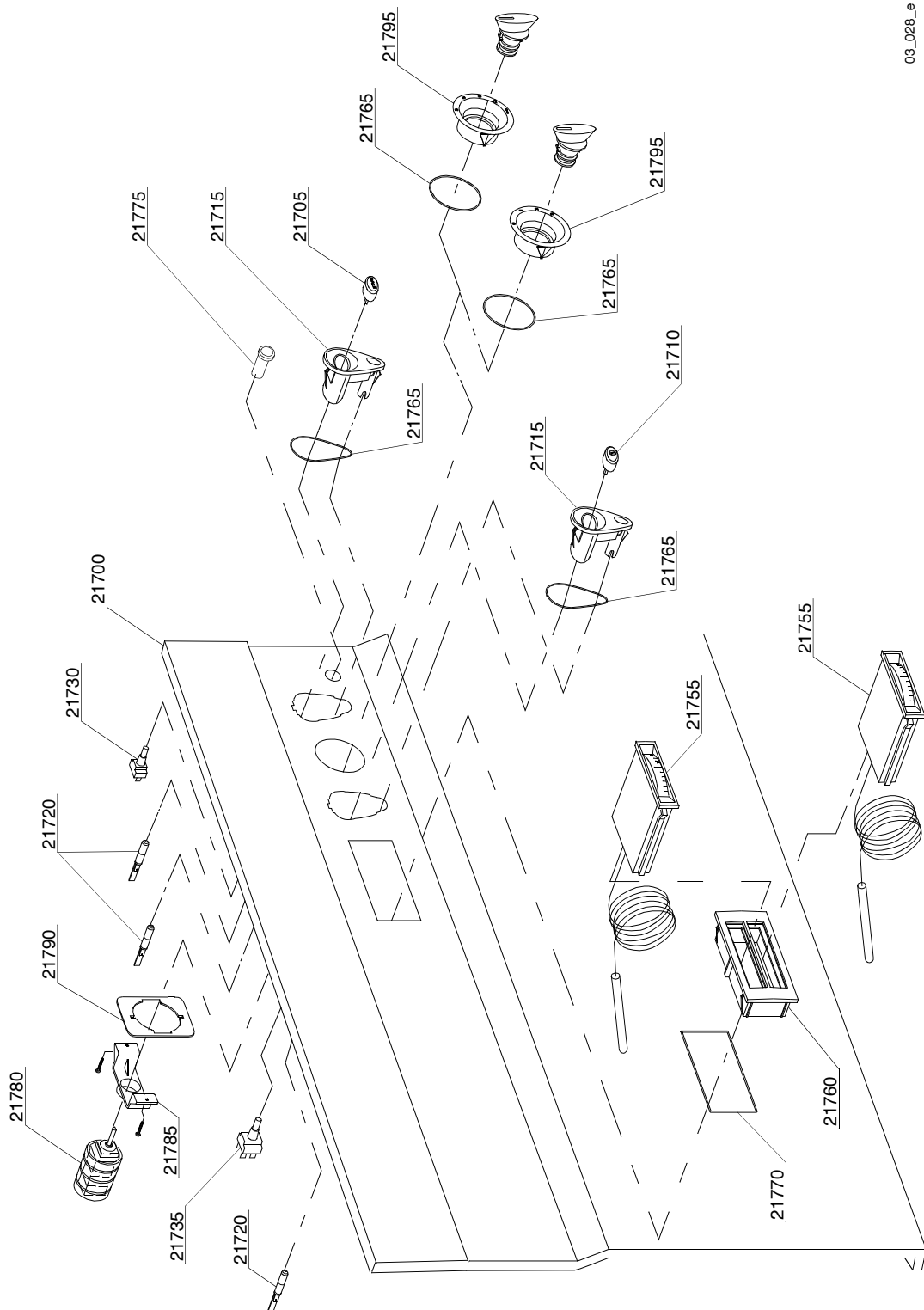
ID	P-code	Model	Type	Accessory	Voltage	Description
MODULE:General body parts						
22600	88907		19U			Back panel
22605	88900		19U			Body
22610	88301		19U			Tank back filter
22615	88300		19U			Tank front filter
22620	88302		19U			Tank trap filter
22625	80931		19U			Chimney splash guard
22630	88922		19U			Upper door splash guard
22635	80936		19U			Right splash guard
22640	80937		19U			Left splash guard
22645	88912		19U			Right internal slide
22650	88911		19U			Left internal slide
22655	88901		19U			Tank
22660	88902		19U			Base
22665	88903		19U			Right lower panel
22670	88904		19U			Left lower panel
22675	80116		19U			Foot
22680	15613		19U			Drain elbow
22685	C109		19U			Stainless steel basket with wheels
22690	30001010		19U			6KW heating element
22695	88114		19U			Nut
22700	80230		19U			Reed-holder
22705	2000309		19U			Economizer reed
22710	10200171		19U			25x17x2 gasket
22715	22214		19U			Nut
22720	11600019		19U			Terminal overflow pipe
22725	88942		19U			Overflow pipe
22730	11600002		19U			Flange gasket



02_121_e

Spare parts

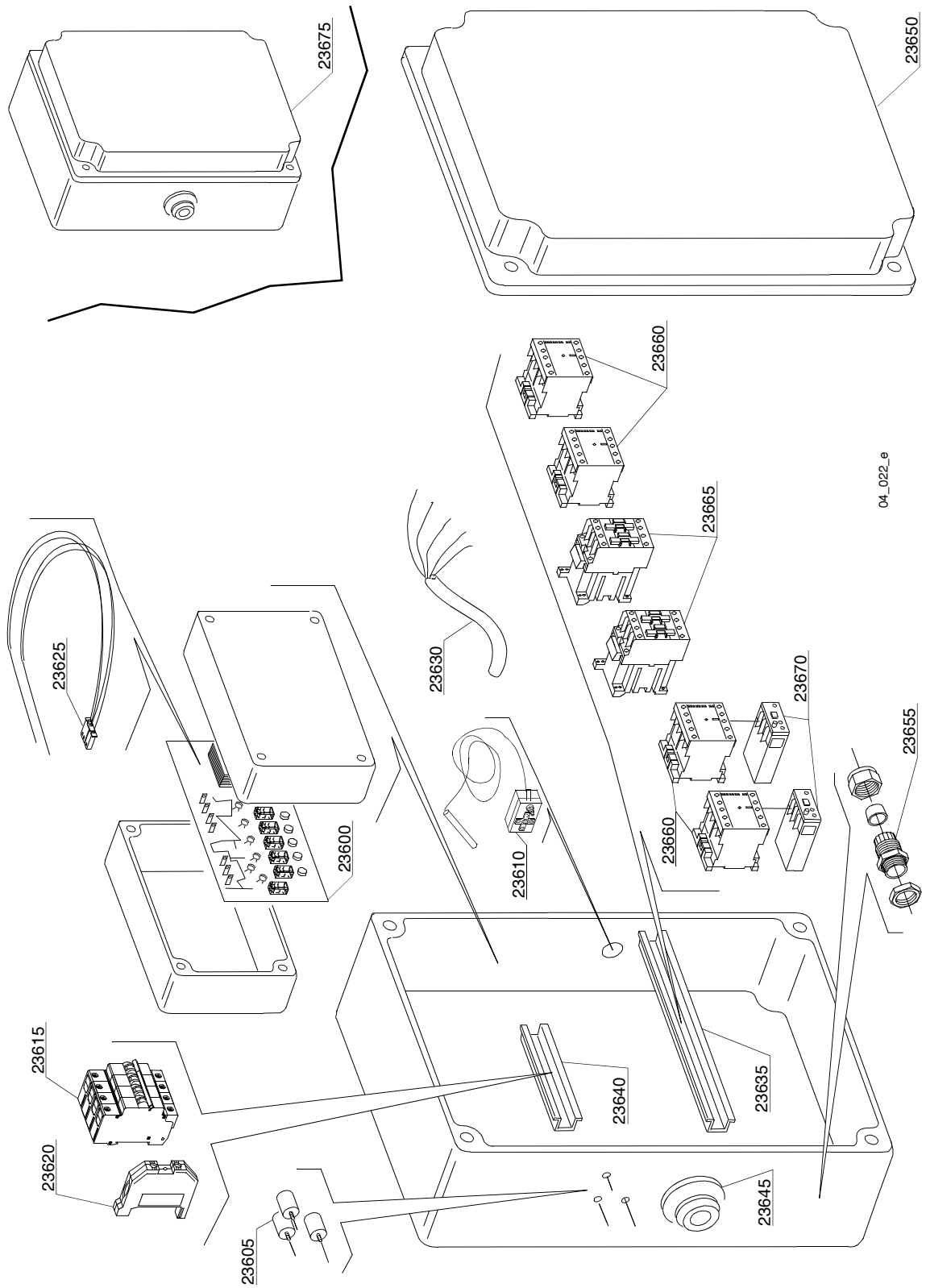
ID	P-code	Model	Type	Accessory	Voltage	Description
MODULE:Lockup system						
23500	88910		19U			Door with steel handle
23505	88909		19U			Upper door
23510	88928		19U			Levers support
23515	22219		19U			Small cylinders
23520	22220		19U			Door rod
23525	80750		19U			Stainless steel handle
23530	22206/B		19U			Door support
23535	22220/A		19U			Hinge door
23540	80232		19U			Reed magnet
23545	11721		19U			Nut
23550	80700		19U			Slide for door



03_028_e

Spare parts

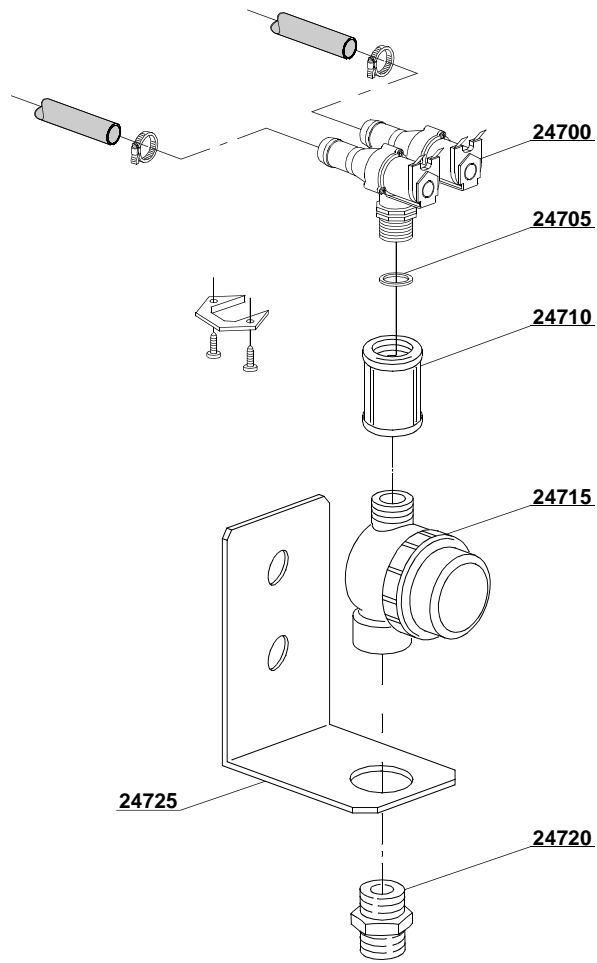
ID	P-code	Model	Type	Accessory	Voltage	Description
MODULE:Control panel						
21700	88941		19U			Control panel
21705	89341		19U			Start key
21710	89340		19U			ON-OFF key
21715	89300		19U			Key support
21720	15826		19U			Pilot lamp
21730	15813		19U			16A unipolar push button
21735	15812		19U			16A switch
21755	10500011		19U			Thermometer
21760	89306		19U			Double thermometer support
21765	89332		19U			OR gasket
21770	89331		19U			OR gasket
21775	15826/C		19U			Red gem
21780	80411		19U			5 position selector with knob
21785	89322		19U			Selector support
21790	89323		19U			Screw holder
21795	89320		19U			Push selector switch support



04_022_e

Spare parts

ID	P-code	Model	Type	Accessory	Voltage	Description
MODULE:Control electric components						
23600	50556		19U		A	3/6/9 min. electronic timer
23605	15149		19U			Low noise filter
23610	2000430		19U			Safety thermostat
23615	2000411		19U			Automatic fuse C32
23620	10300401		19U			6/8mm ² yellow/green terminal
23625	50563		19U			Thermostat probe
23630	80200		19U			5x4x3400 cable
23630	75359		19U			4x6 flame-retardant cable
23635	80408		19U			L=345mm slide
23640	80409		19U			L=140mm slide
23645	80417		19U			Fairlead
23650	80407		19U			Proof box
23655	80414		19U			Cable-press
23655	80416		19U			Cable-press
23660	15086		19U			Remote control switch 230V 50/60Hz 4C
23665	10300050		19U			25A/12A remote control switch
23670	88112		19U			4,5-7,5A RF9 temperature relay
23675	88100		19U			Compleat electric box

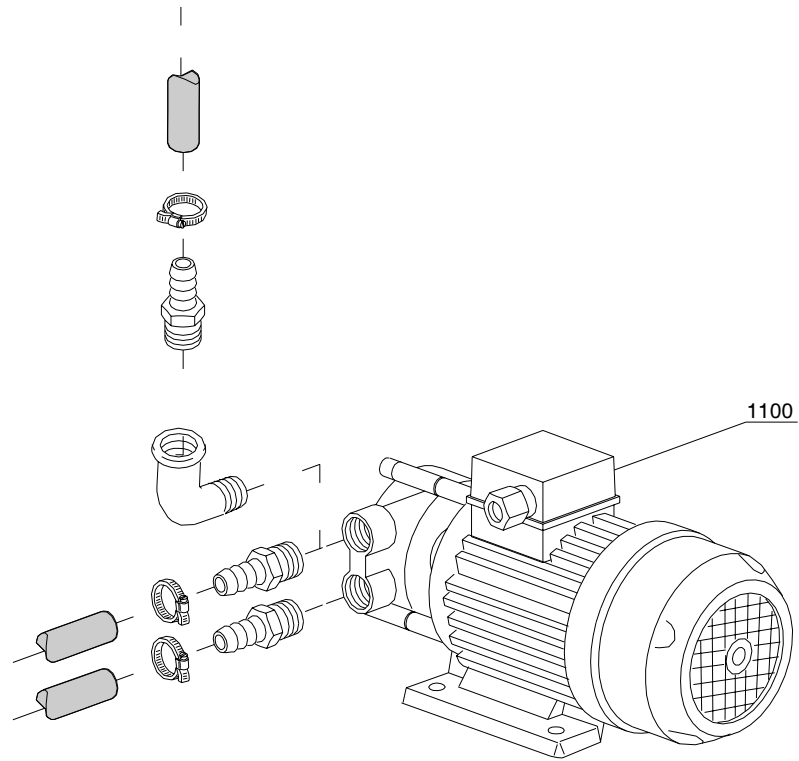


05_006_e

Spare parts

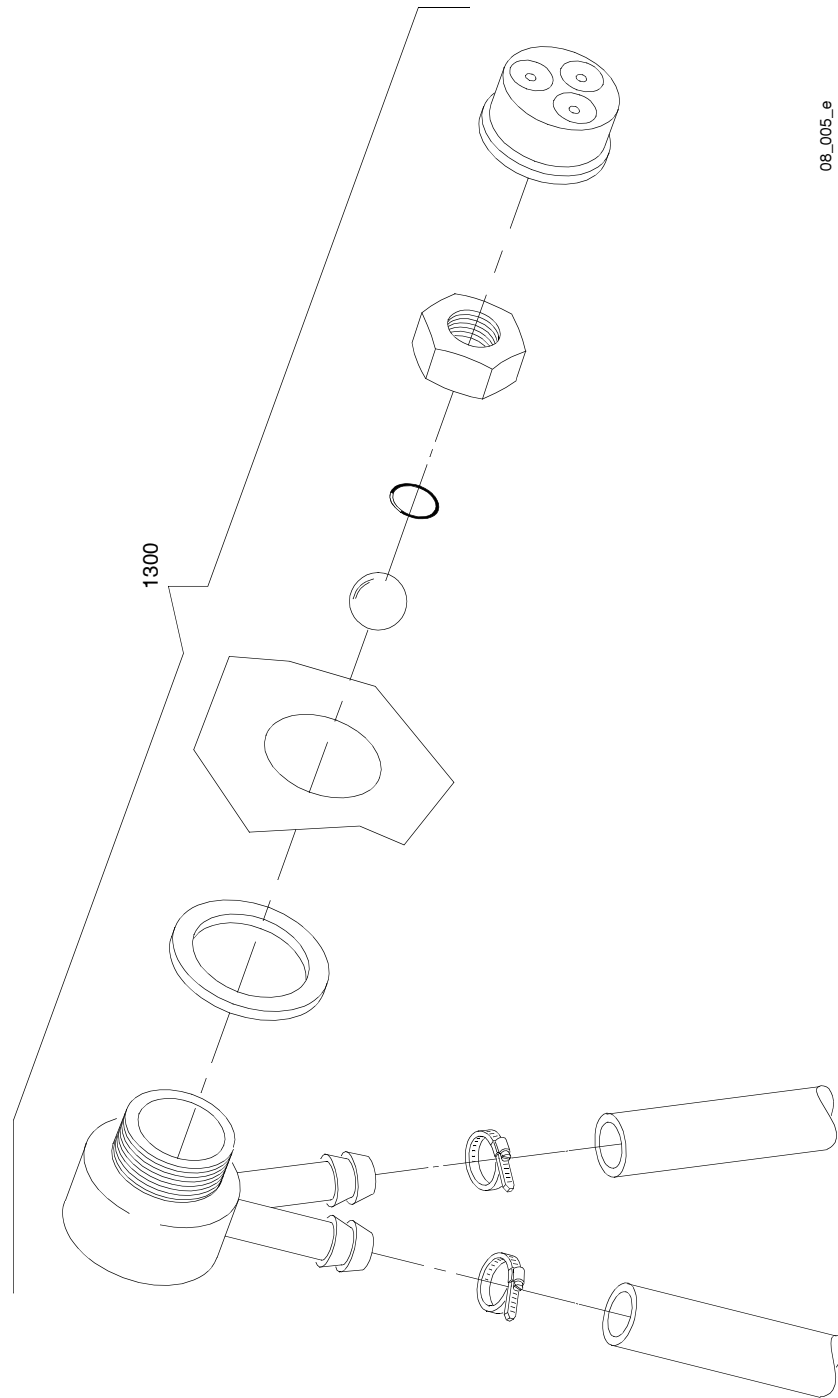
ID	P-code	Model	Type	Accessory	Voltage	Description
MODULE:Solenoid valve group						
24700	30001001		19U			Single solenoid valve
24705	N.C.		19U			Pression reducing valve
24710	80275		19U			Pipe coupling
24715	2000121		19U			Filter
24720	12025		19U			Nipple
24725	22236		19U			Support

07_002_e



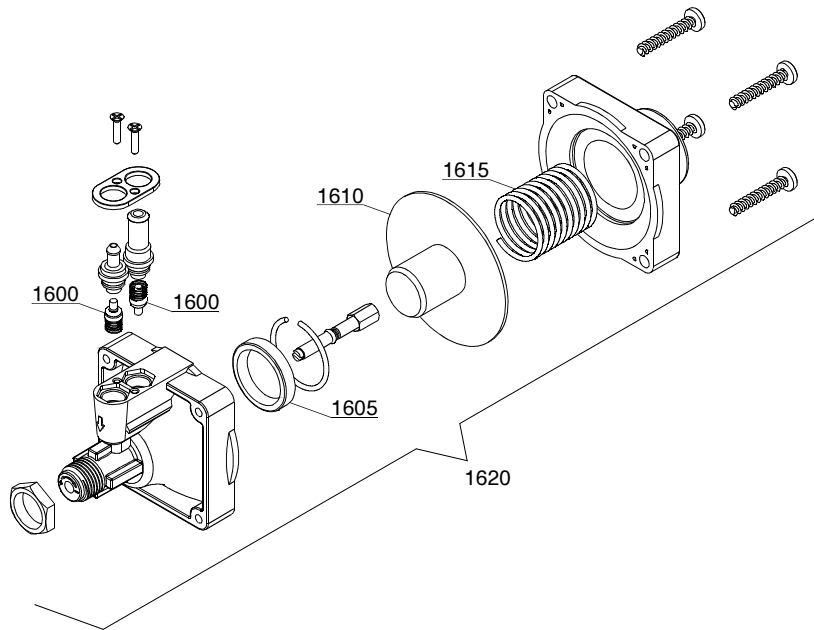
Spare parts

ID	P-code	Model	Type	Accessory	Voltage	Description
MODULE:Booster pump						
1100	15100		19U	bp		Booster pump



Spare parts

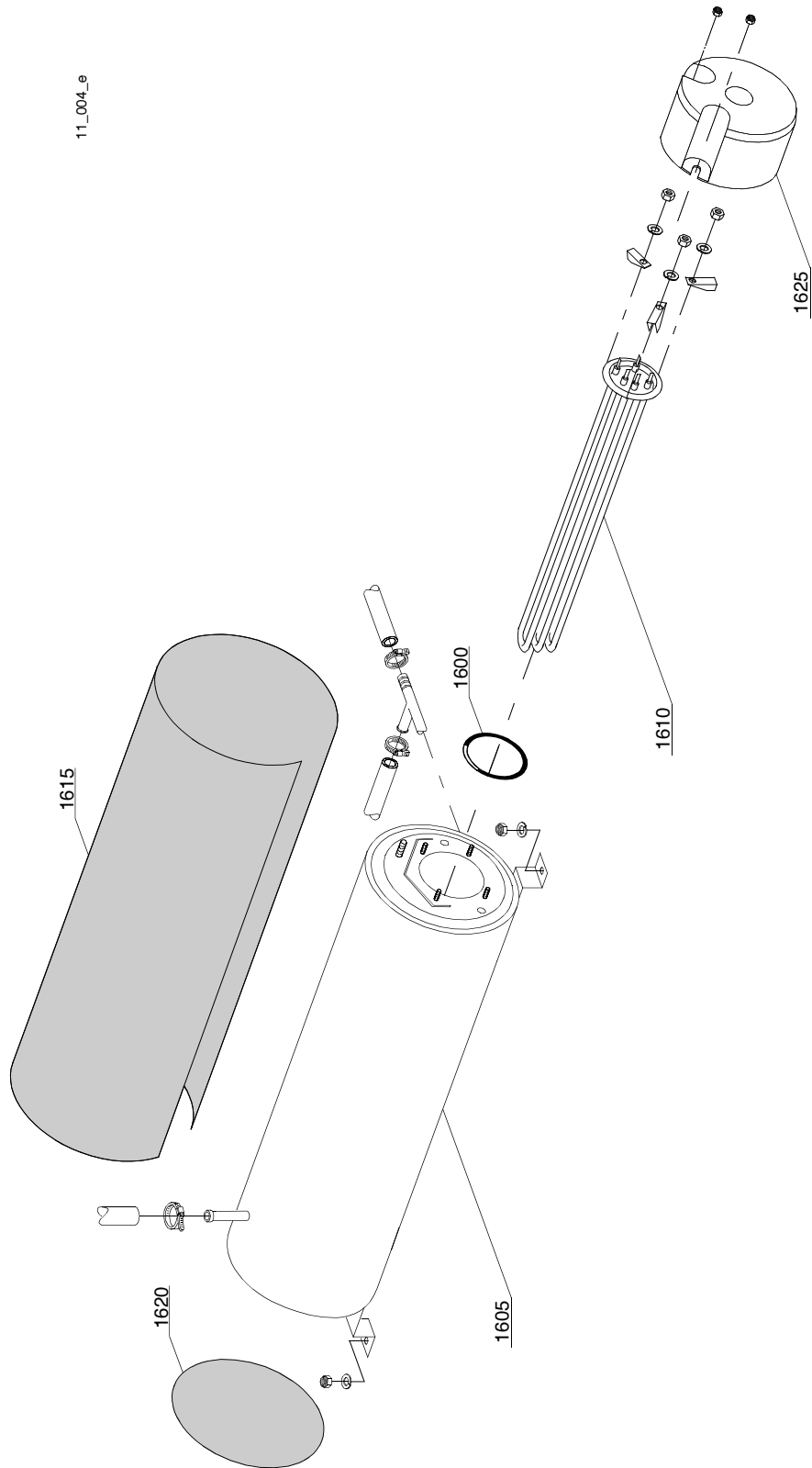
ID	P-code	Model	Type	Accessory	Voltage	Description
MODULE:DVGW						
1300	999900006		19U	dvgw		DVGW assembly



10_003_e

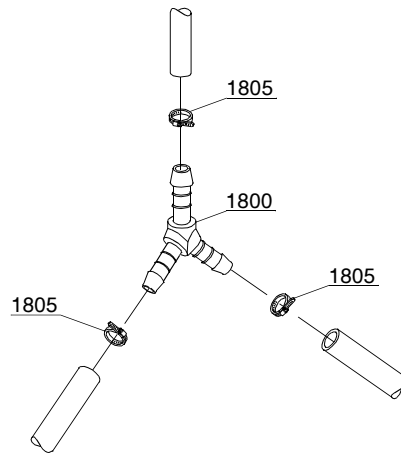
Spare parts

ID	P-code	Model	Type	Accessory	Voltage	Description
MODULE:Shining product dosing device group						
1600	10805		19U			Tecnopro dosing valve
1605	10806		19U			Ø22 gasket
1610	10807		19U			Membrane
1615	10808		19U			Spring
1620	10599999		19U			Shining product dosing device
1625	12525		19U			Counter-weight
1630	15058		19U			Small filter



Spare parts

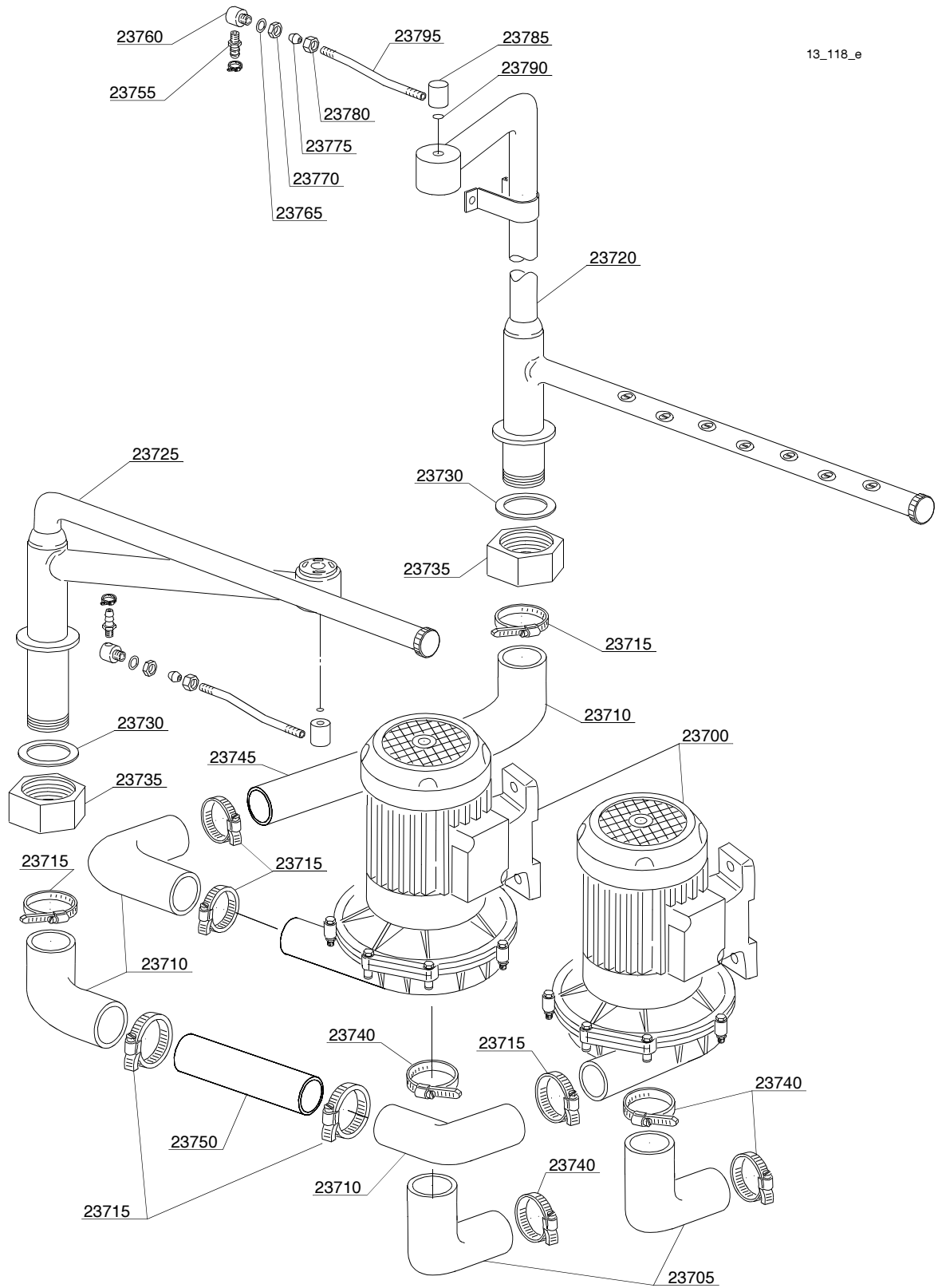
ID	P-code	Model	Type	Accessory	Voltage	Description
MODULE:Boiler group						
1600	13015		19U			6225 OR 160 NBR gasket
1605	80905		19U			Boiler
1610	30001011		19U			9KW heating element
1610	30001011/A		19U			12KW heating element
1615	30002030		19U			Insulating boiler
1620	75205		19U			Ø160 bottom
1625	75311		19U			Heating element guard



12_003_e

Spare parts

ID	P-code	Model	Type	Accessory	Voltage	Description
MODULE:3 ways derivation						
1800	540091		19U			Ø12 mm plastic 3 ways derivation
1805	11807		19U			12/22 clamp

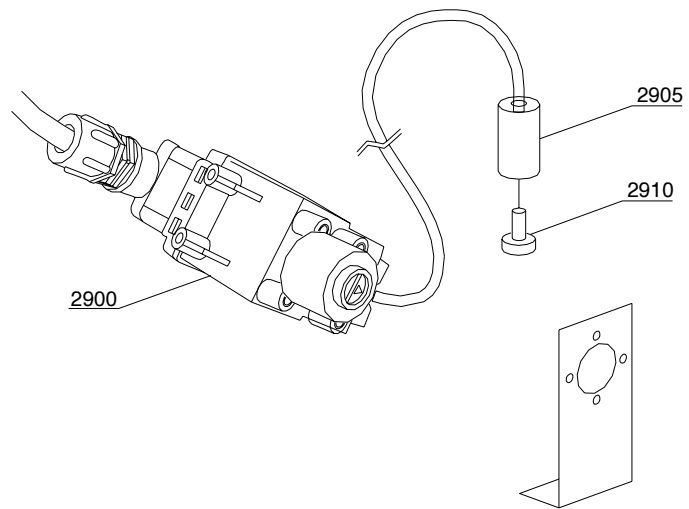
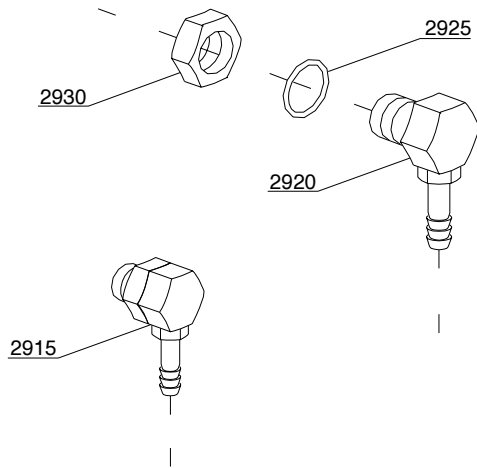


13_118_e

Spare parts

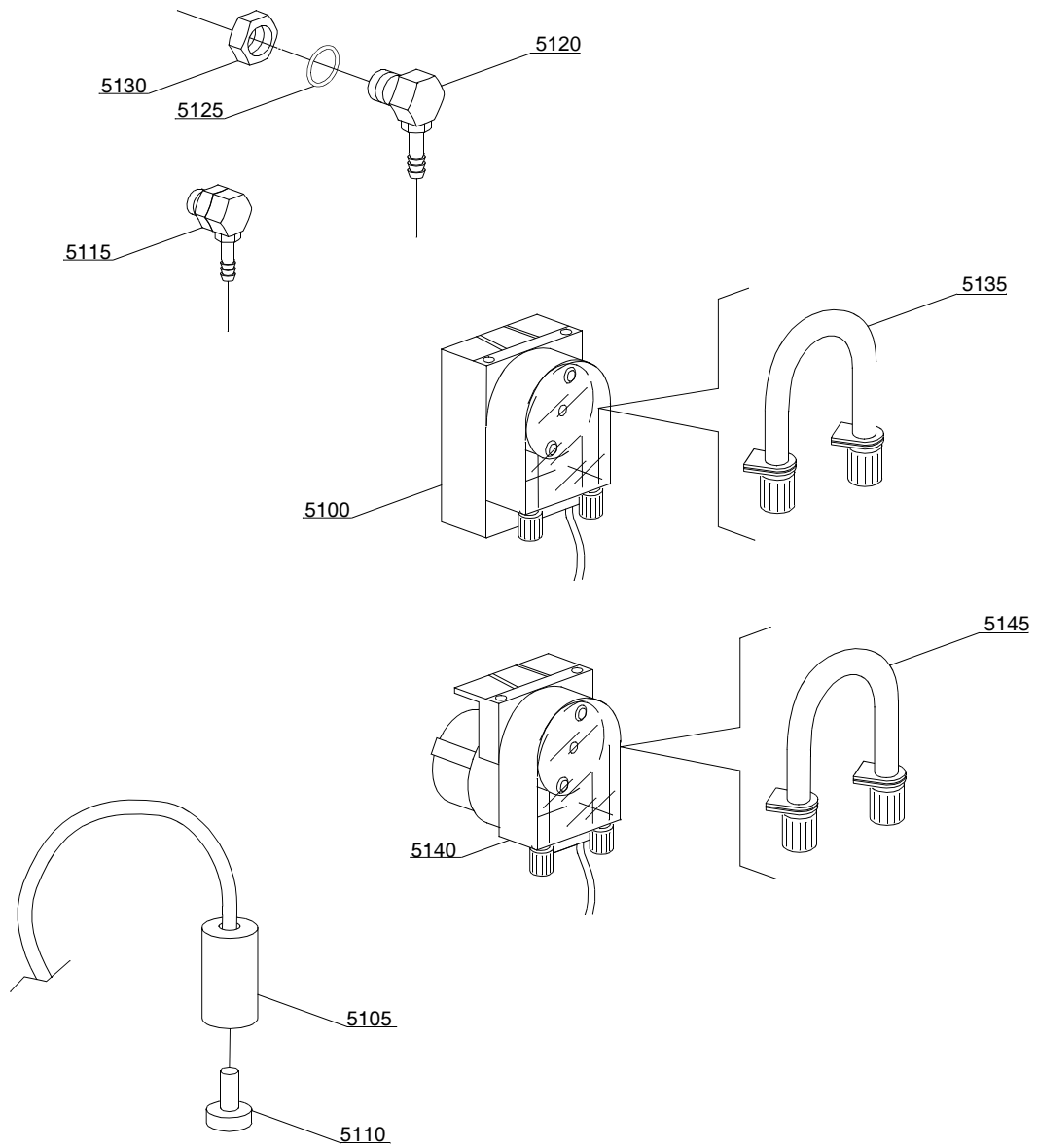
ID	P-code	Model	Type	Accessory	Voltage	Description
MODULE:Wash pump						
23700	88106		19U			2,7Hp wash pump
23705	3002020		19U			Suction pipe
23710	15032/B		19U			Suction pipe coupling
23715	11824		19U			50/70 clamp
23720	88121		19U			Top wash ramp
23725	88122		19U			Lower wash ramp
23730	10200173/A		19U			Gasket
23735	88127		19U			Ramp fixing nut
23740	2902491		19U			60/80 clamp
23745	88123		19U			63,5x90mm Pipe coupling
23750	88124		19U			75x130mm pipe coupling
23755	12005		19U			Rubber-holder
23760	80231		19U			Rinse pipe fitting
23765	10200171		19U			25x17x2 gasket
23770	10200101		19U			Nut
23775	10200182		19U			Bicone washer
23780	10600016		19U			Nut
23785	10600202		19U			Rinse elbow
23790	13009		19U			OR 2050 NBR gasket
23795	88118		19U			Upper rinse duct

14_002_e



Spare parts

ID	P-code	Model	Type	Accessory	Voltage	Description
MODULE:Dosing device group						
2900	15108/L		19U	dd		Lang dosing device
2905	12525		19U	dd		Counter-weight
2910	15058		19U	dd		Small filter
2915	15123		19U	dd		Compleat plastic injector
2920	15148		19U	dd		Steel injector
2925	15159		19U	dd		OR gasket
2930	10200205		19U	dd		M12x1 stainless steel nut

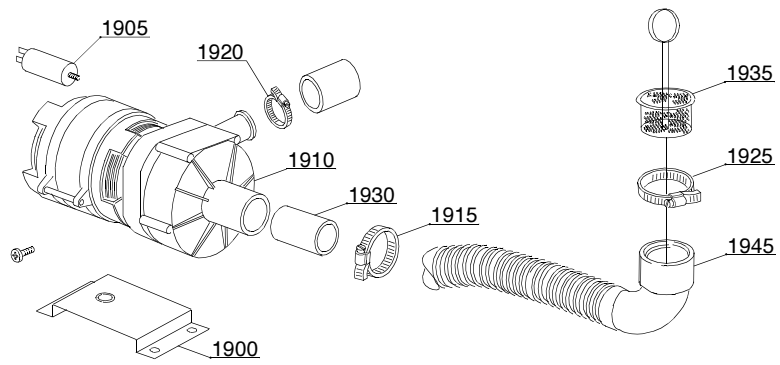


14_004_e

Spare parts

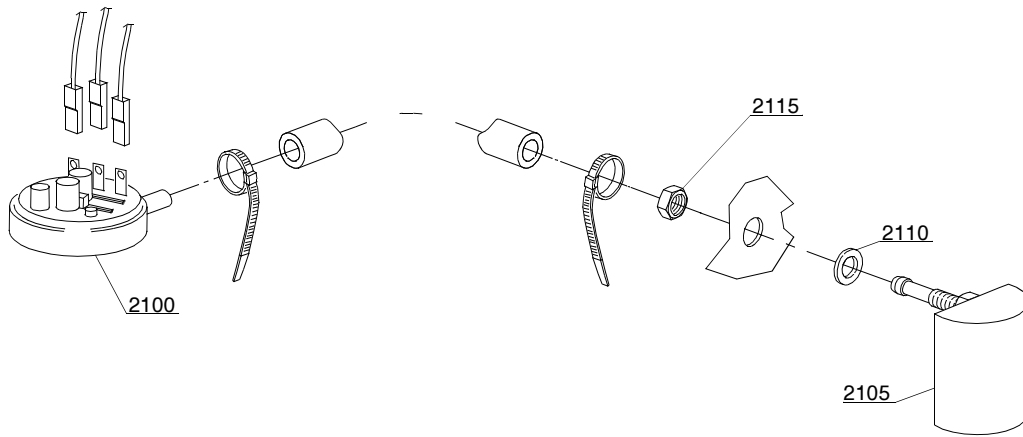
ID	P-code	Model	Type	Accessory	Voltage	Description
MODULE:Dosing device group						
5100	15985		19U	dd		Seko dosing device
5105	12525		19U	dd		Counter-weight
5110	15058		19U	dd		Small filter
5115	15123		19U	dd		Compleat plastic injector
5120	15148		19U	dd		Steel injector
5125	15159		19U	dd		OR gasket
5130	10200205		19U	dd		M12x1 stainless steel nut
5135	15185		19U	dd		Seko thermoplastic pipe
5140	15985		19U	dd		Germac dosing device
5145	15108/E		19U	dd		Germac thermoplastic pipe

15_003_e



Spare parts

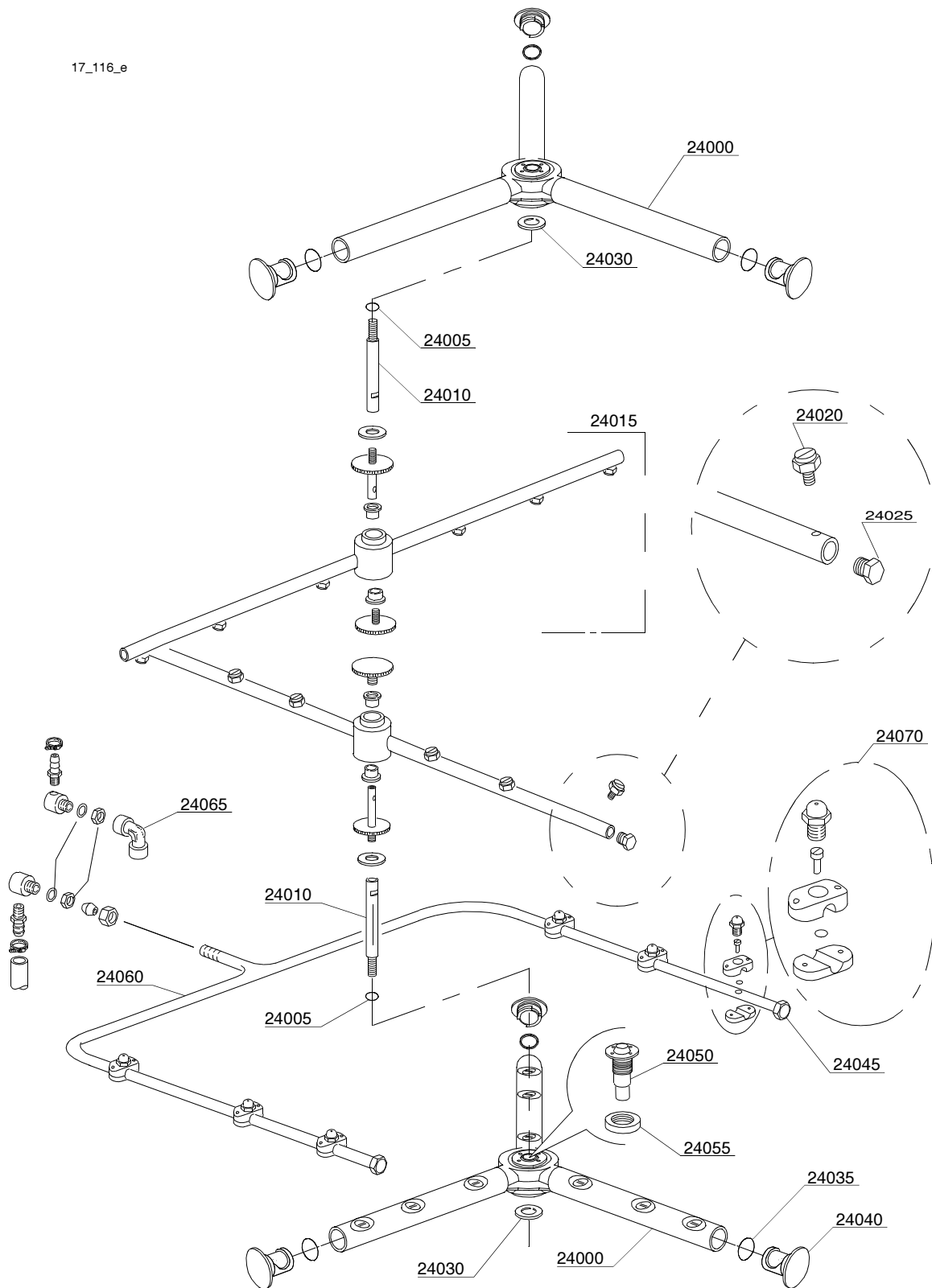
ID	P-code	Model	Type	Accessory	Voltage	Description
MODULE:Drain pump group						
1905	10702		19U	dp		5 uF condenser
1910	10501/A		19U	dp		Drain pump
1915	11806		19U	dp		25/40 clamp
1920	11836		19U	dp		20/32 clamp
1925	11809		19U	dp		30/45 clamp
1930	18044		19U	dp		Ø28 top wash pipe
1935	10200039		19U	dp		Flow drain filter



16_001_e

Spare parts

ID	P-code	Model	Type	Accessory	Voltage	Description
MODULE:Pressure switch group with air trap						
2100	88110		19U			260-30 pressure switch
2105	80106		19U			Air trap assembly
2110	13301		19U			Gasket
2115	11702		19U			M8 stainless steel nut



Spare parts

ID	P-code	Model	Type	Accessory	Voltage	Description
MODULE:Turret group with rotating arms						
24000	90004		19U			Upper/lower complet wash rotor
24005	13009		19U			OR 2050 NBR gasket
24010	80321		19U			Top axle
24015	90003		19U			Rinse group
24020	560018		19U			Stainless steel rinse nozzle
24025	560017		19U			Rinse arm plug
24030	11600033		19U			Flux reducer
24035	13023		19U			OR 131 (4093) NBR gasket
24040	3003029		19U			Plastic plug
24045	88114		19U			Nut
24050	88975		19U			Hub for rotor
24055	75317		19U			Nut for hub
24060	88125		19U			Hub for rotor
24065	12018		19U			Elbow
24070	2902795		19U			Rinse nozzle