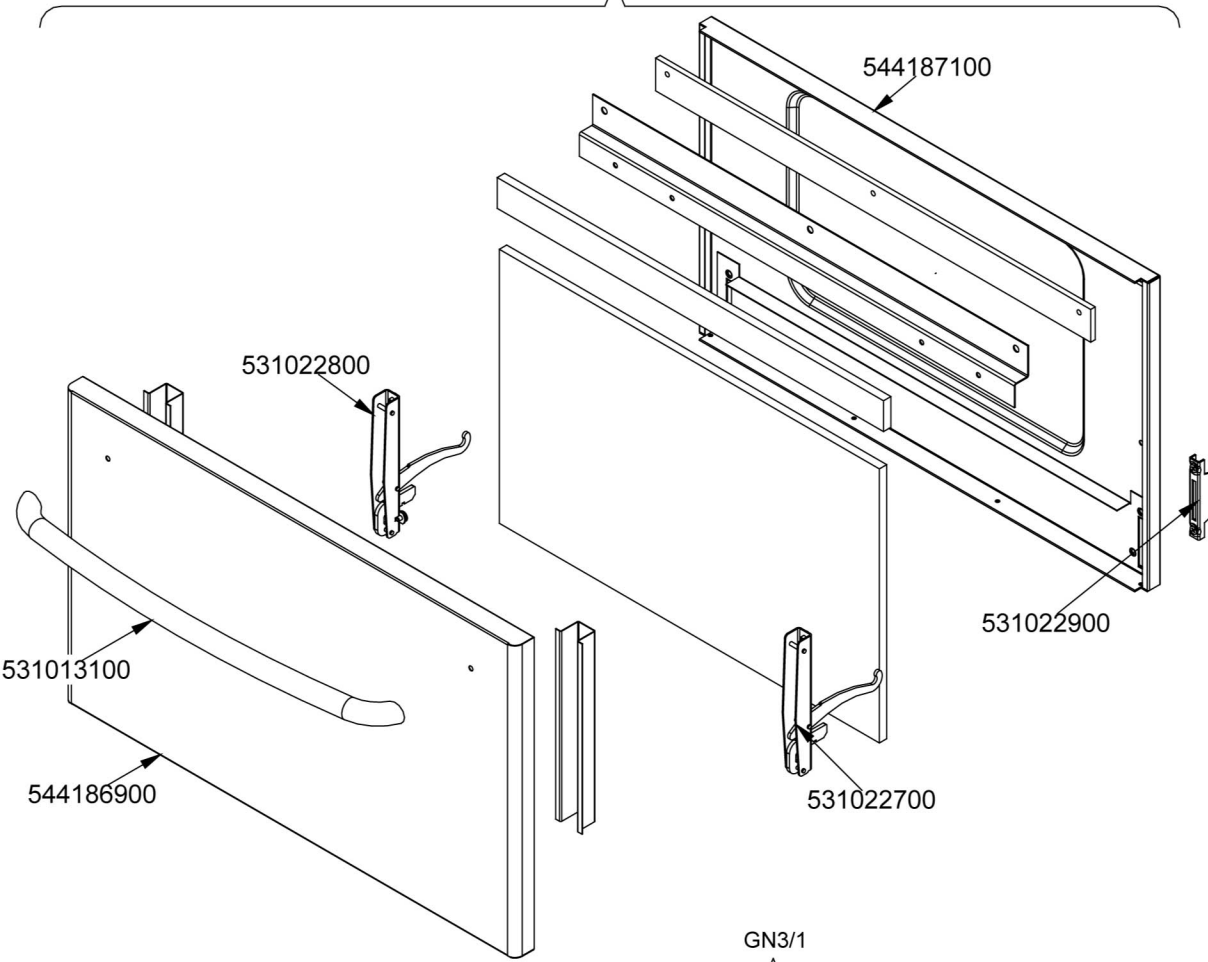
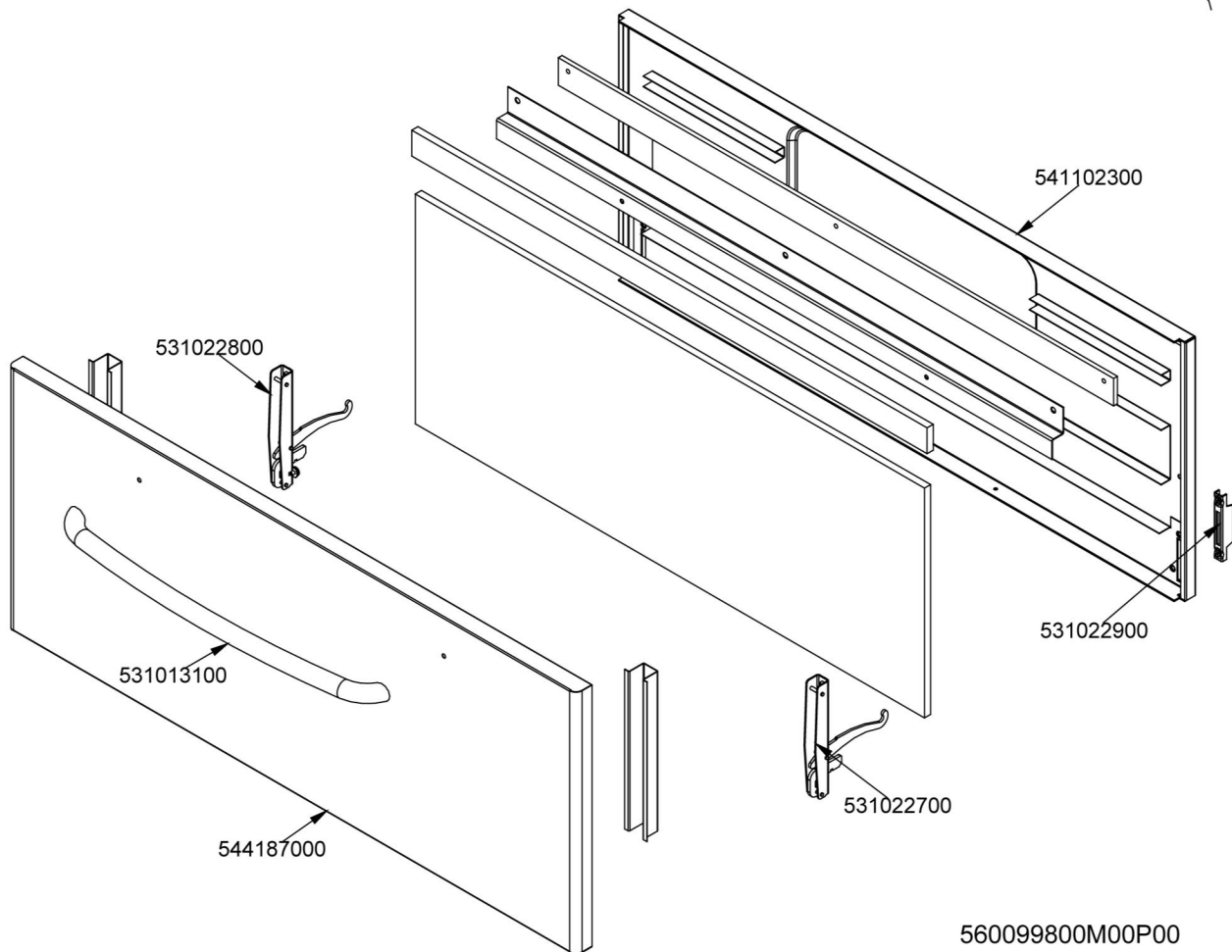


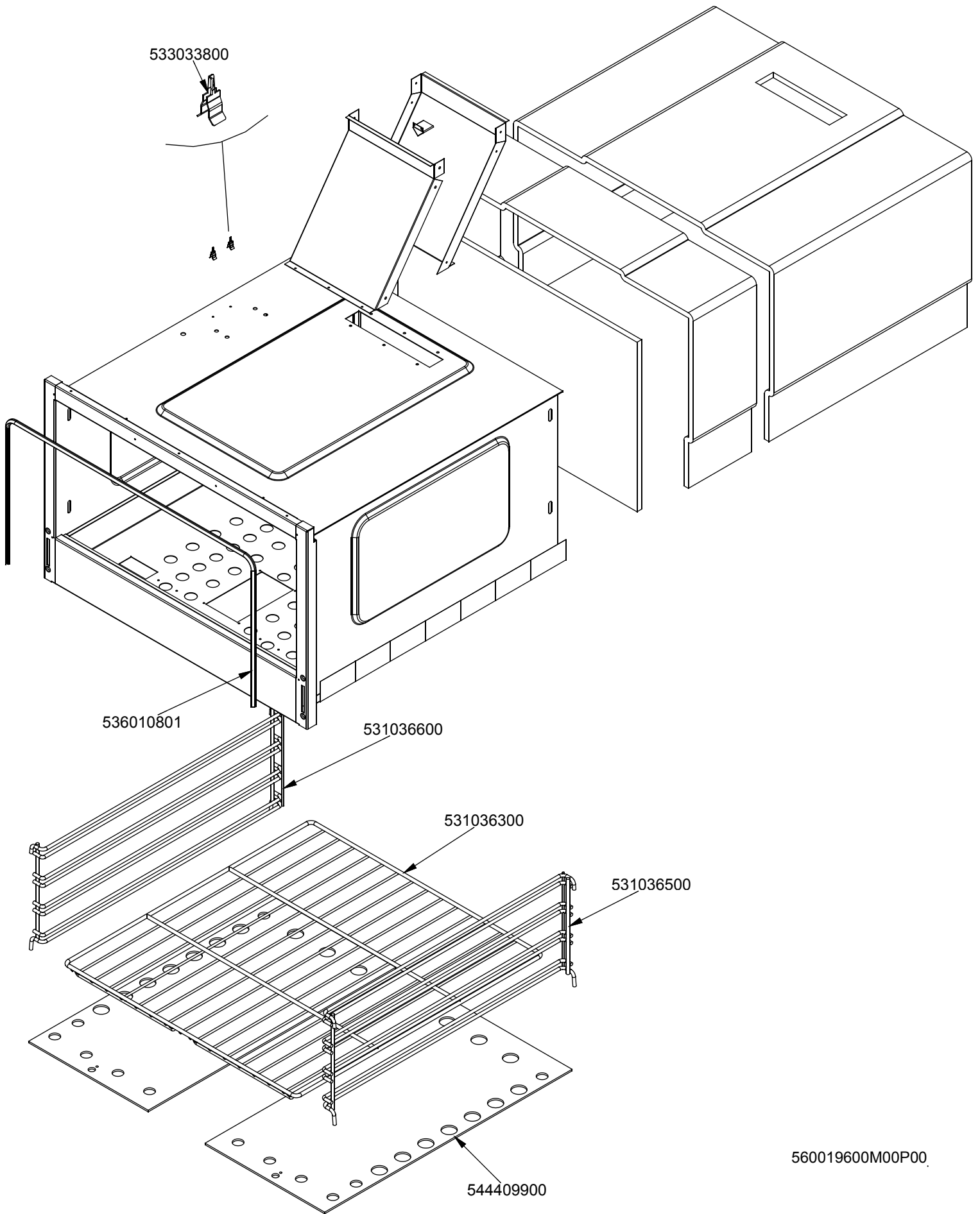
GN2/1

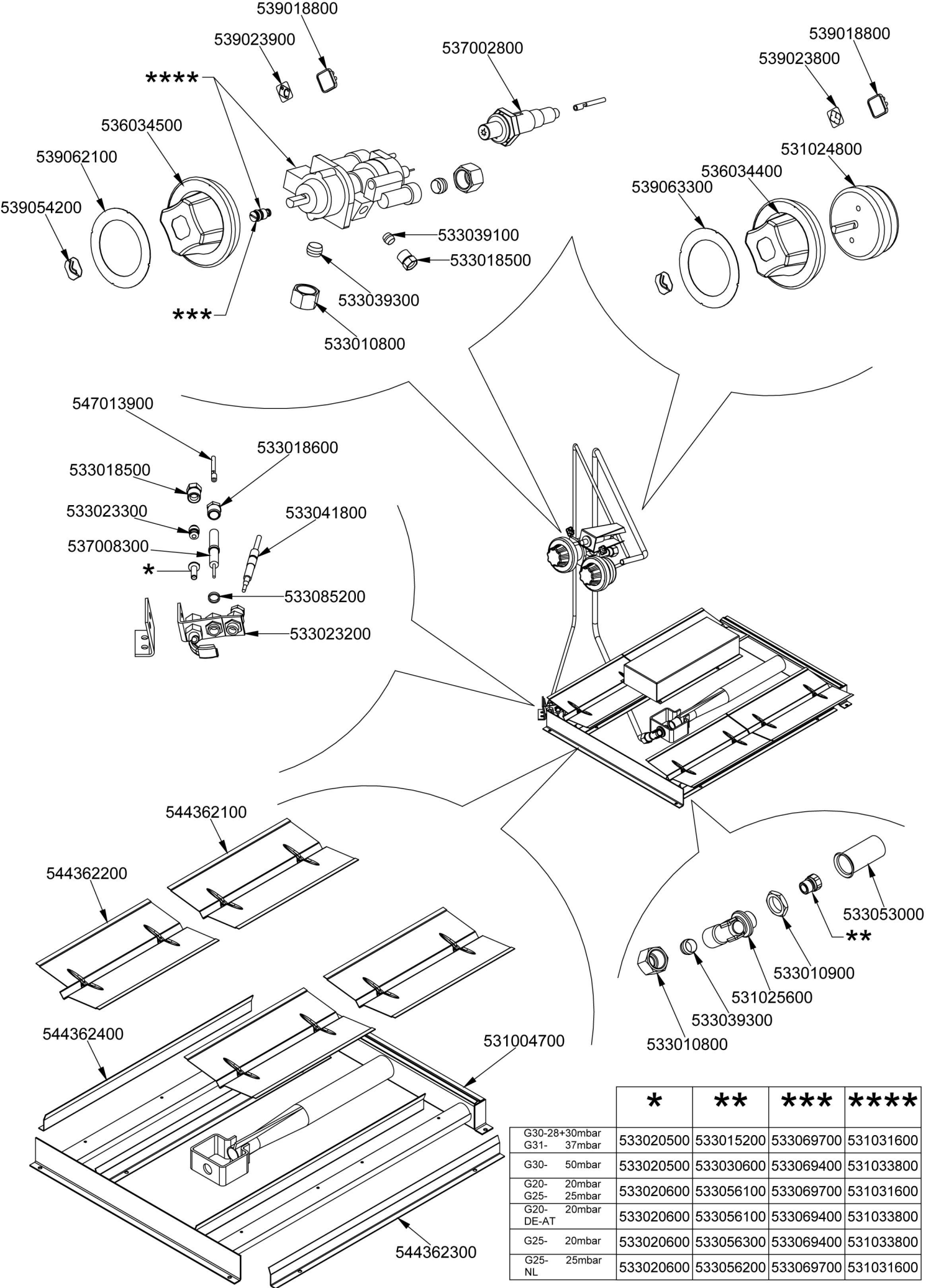


GN3/1

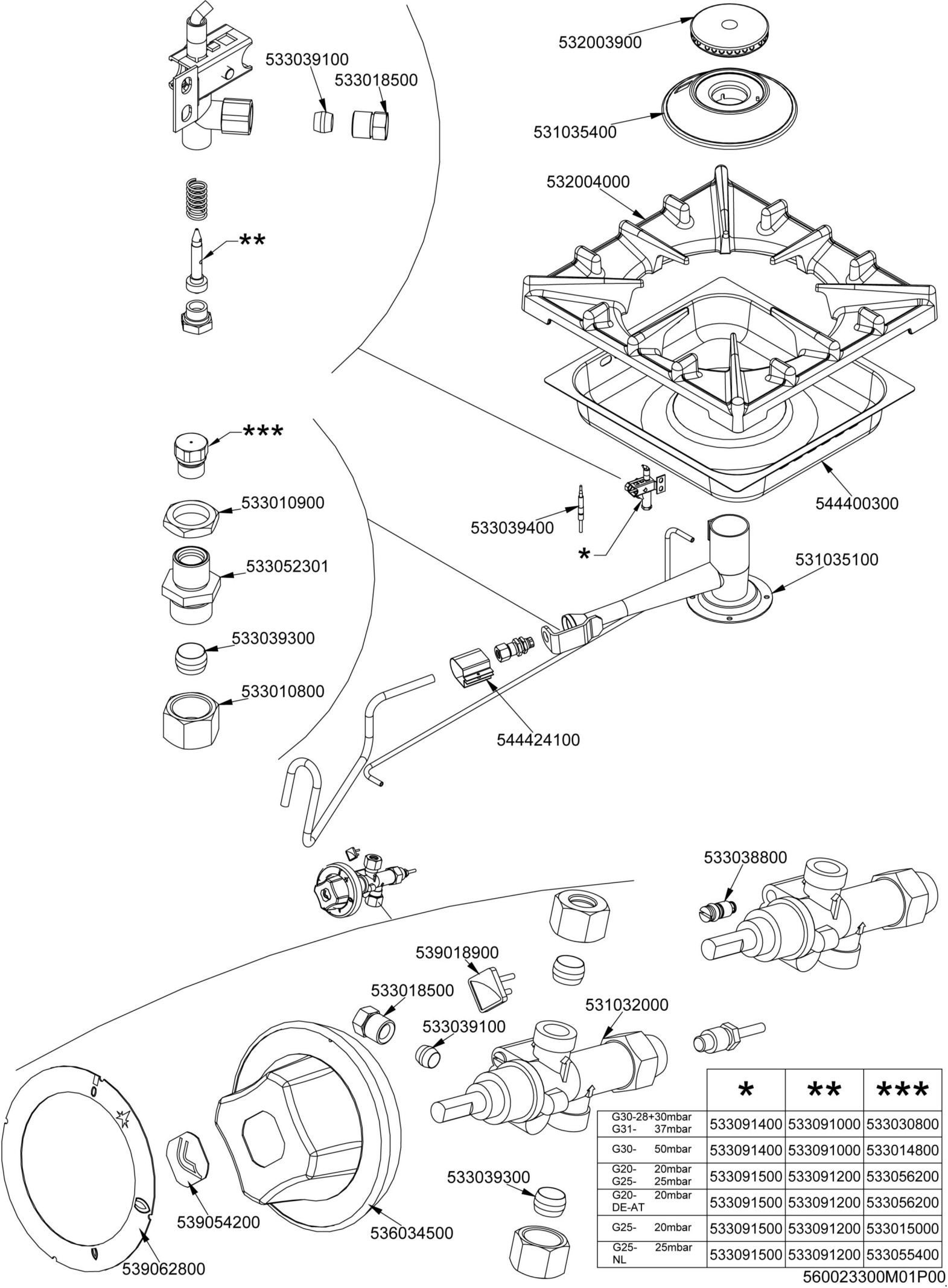


560099800M00P00

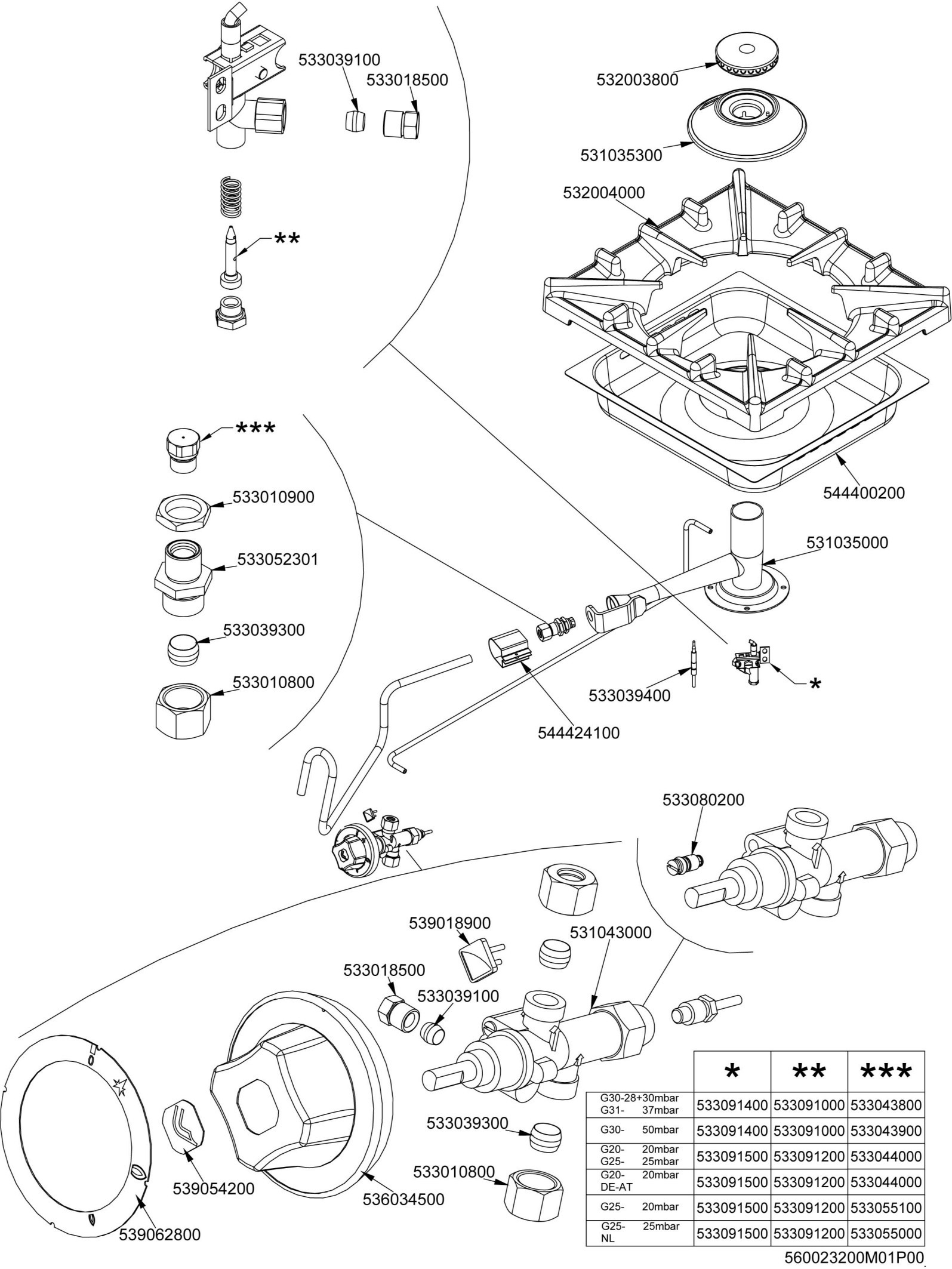




	*	**	***	****
G30-28+30mbar	533020500	533015200	533069700	531031600
G31- 37mbar	533020500	533030600	533069400	531033800
G30- 50mbar	533020600	533056100	533069700	531031600
G20- 20mbar	533020600	533056100	533069400	531033800
G25- 25mbar	533020600	533056300	533069400	531033800
G20- 20mbar	533020600	533056200	533069700	531031600
DE-AT	533020600	533056200	533069700	531031600
NL	533020600	533056200	533069700	531031600



	*	**	***
G30-28+30mbar G31- 37mbar	533091400	533091000	533030800
G30- 50mbar	533091400	533091000	533014800
G20- 20mbar G25- 25mbar	533091500	533091200	533056200
G20- 20mbar DE-AT	533091500	533091200	533056200
G25- 20mbar	533091500	533091200	533015000
G25- 25mbar NL	533091500	533091200	533055400



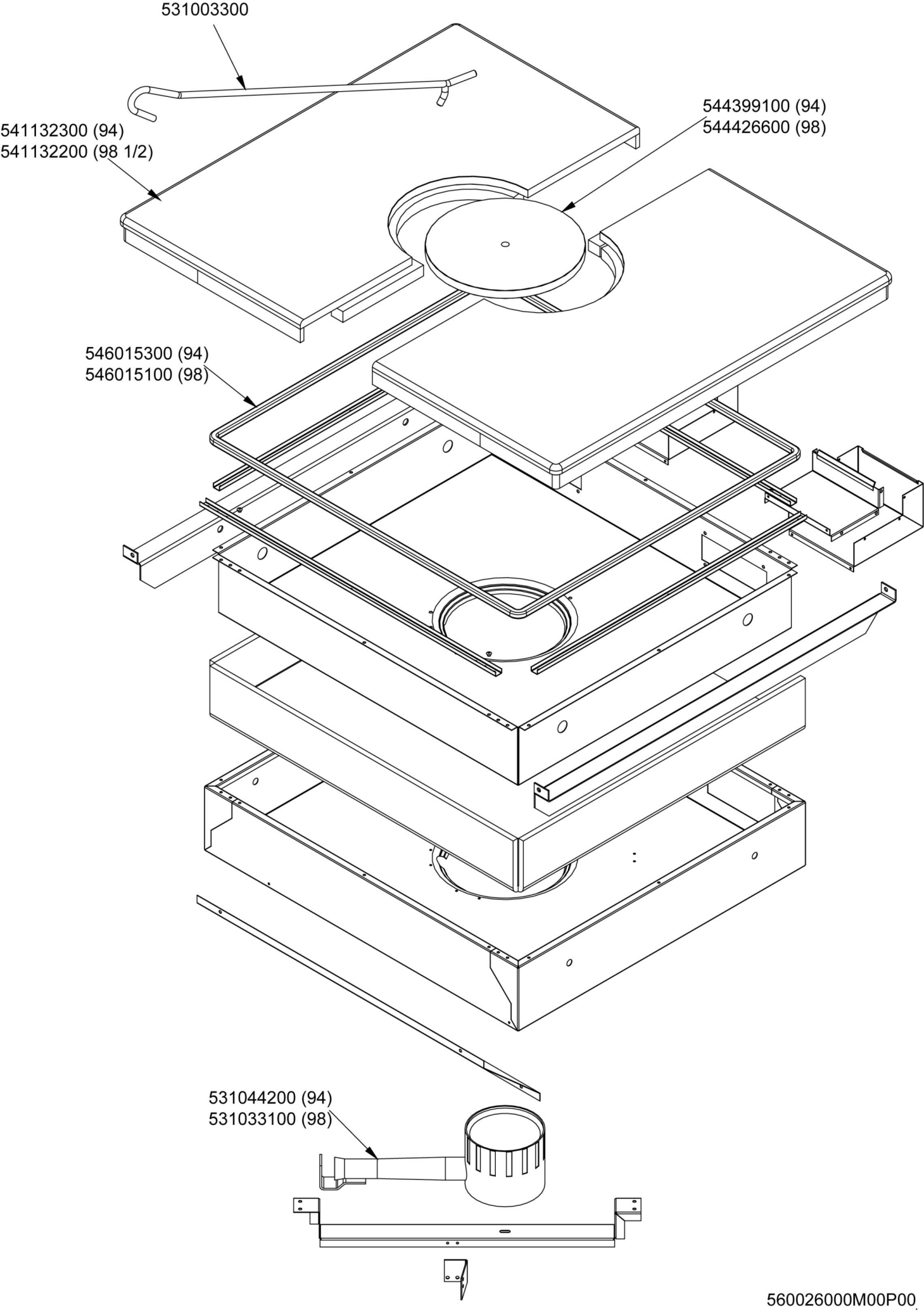
- \*\*\*
- 533010900
- 533052301
- 533039300
- 533010800

- 533039100
- 533018500

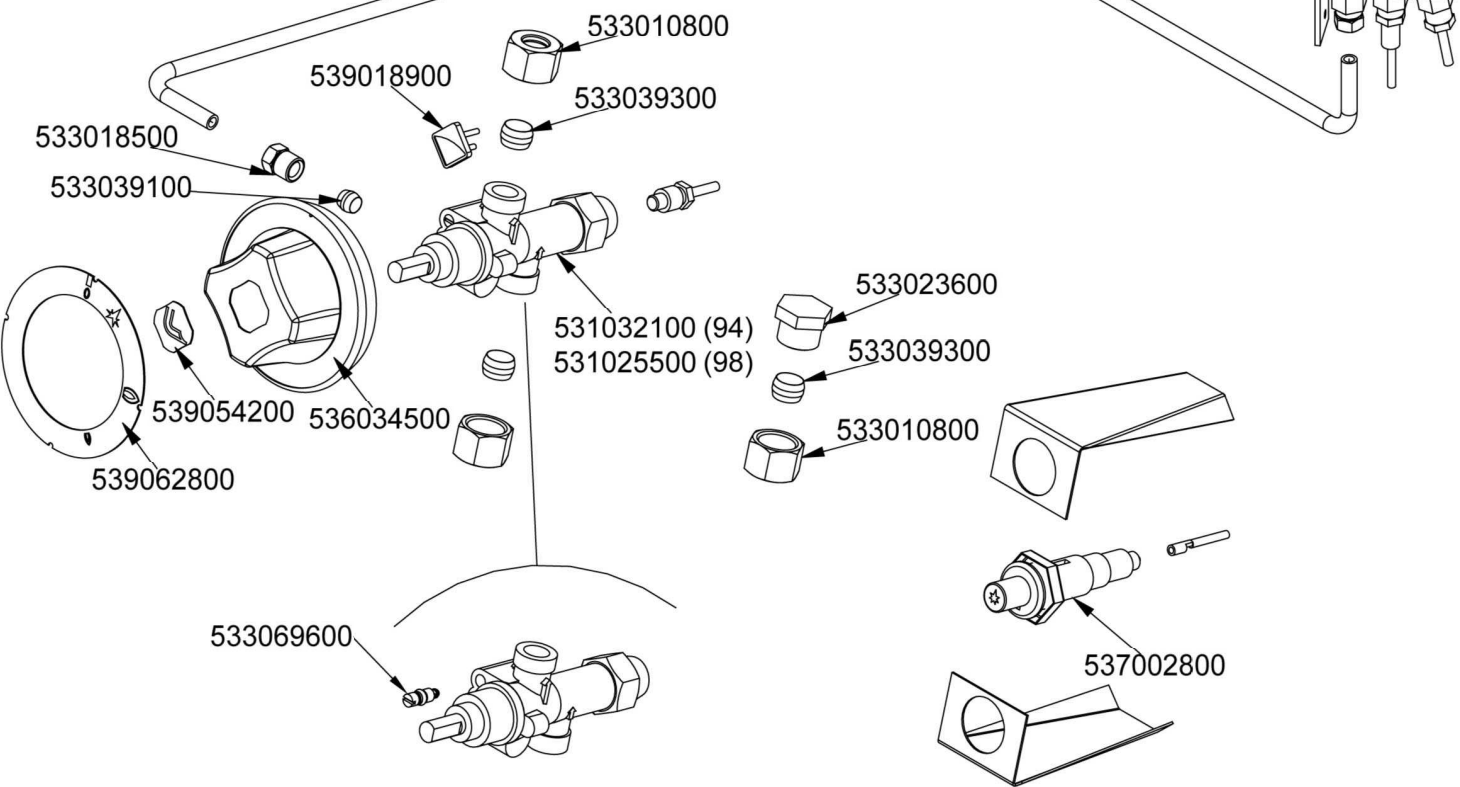
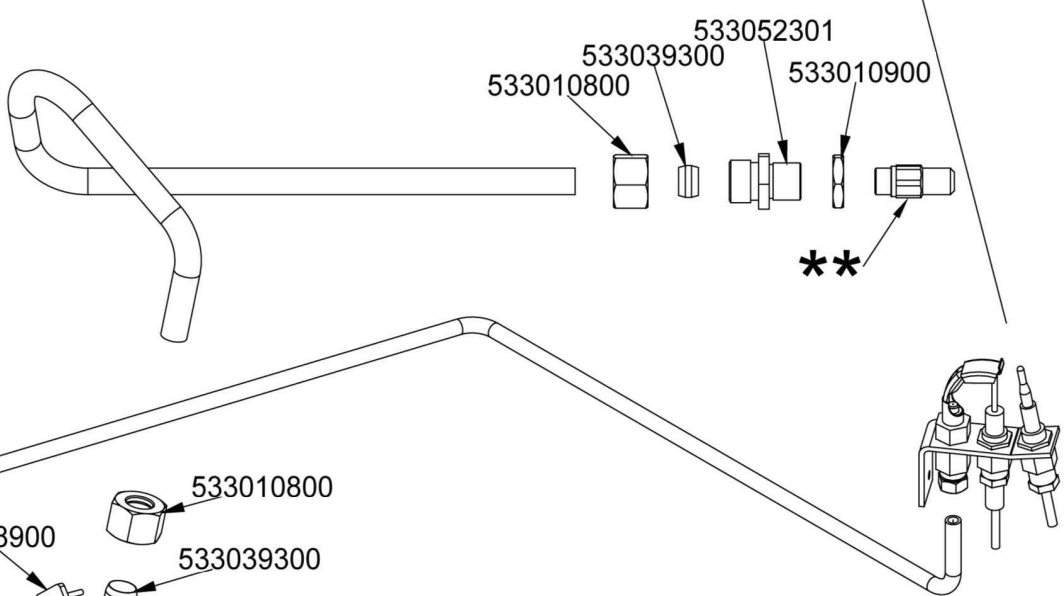
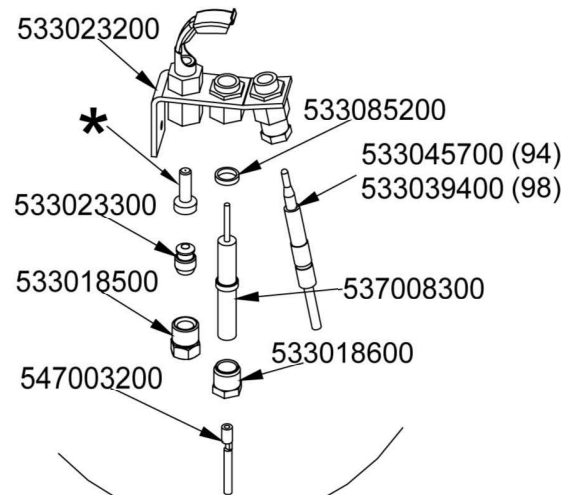
- \*\*

- 539018900
- 533018500
- 533039100
- 533039300
- 533010800
- 539054200
- 536034500
- 531043000
- 539062800

	*	**	***
G30-28+30mbar G31- 37mbar	533091400	533091000	533043800
G30- 50mbar	533091400	533091000	533043900
G20- 20mbar G25- 25mbar	533091500	533091200	533044000
G20- 20mbar DE-AT	533091500	533091200	533044000
G25- 20mbar	533091500	533091200	533055100
G25- 25mbar NL	533091500	533091200	533055000



	*	**	**
		TP-94	TP-98
G30-28+30mbar G31- 37mbar	533020500	533057700	533019600
G30- 50mbar	533020500	533057600	533046200
G20- 20mbar G25- 25mbar	533020600	533047400	533057500
G20- DE-AT	533020600	533047400	533057500
G25- 20mbar	533020600	533047300	533032801
G25- NL	533020600	533047500	533032001
G20- 25mbar	533020600	533046400	





Page	Pos	Code	Description
001		532004100	FLUE GRID L=370 90LINE (RAF
001		541129700	UPPER PLATE TP2-98G
001		544407200	RIGHT SIDE PANEL RANGE 70 LINE
001		541147100	CONTROL PANEL TPF2-98G
001		544407100	RIGHT SIDE PANEL RANGE 90 LINE
001		536005200	INOX LEG 2" 120-180 M10
002		544187100	OVEN INNER DOOR GN 2/1 70/90LINE
002		531022800	LEFT OVEN DOOR HINGE S.70
002		531013100	OVEN DOOR HANDLE OF 70/90-LINE
002		544186900	OVEN DOOR GN 2/1 70/90LINES
002		531022700	RIGHT OVEN DOOR HINGE 70LINE
002		531022900	HINGE DOOR WHEEL HOLDER S.70
002		541102300	GAS OVEN INNER DOOR GN 3/1 S.70
002		544187000	OVEN DOOR GN 3/1 S.70
003		533033800	LOCK SPRING FOR BULB §6
003		536010801	OVEN GASKET GN 2/1 (1308
003		531036600	LHD RACK HOLDER FOR OVEN S.90
003		531036300	OVEN RACK GN 2/1 FOR 90 LINE
003		531036500	RHD RACK HOLDER FOR OVEN S.90
003		544409900	90 GAS OVEN BOTTOM GN2/1
004		539018800	BLANK INDEX FOR KNOB
004		539023900	SIGN PLATE FOR OVEN TEMPERATURE
004		536034500	KNOB §77 4P. §08*6,5
004		539062100	ADESIVE DISK FOR GAS OVEN S70
004		539054200	STAMP O20,5 CR."L" LOTUS R.
004		533010800	TUBE NUT D.10 M16*1,5
004		533039300	BICONE §10
004		533018500	FITTING FOR BICONE D.6 M10*1
004		533039100	BICONE §6
004		537002800	PIEZOELECTRIC IGNITION M18 WITH NUT
004		539063300	ADESIVE DISK FOR TYMER GREY
004		536034400	KNOB §77 4P. §06*4,6 C/M
004		531024800	TIMER 120'- 360°
004		539023800	LABEL FOR OVEN TIMER
004		547013900	HIGH-VOLTAGE CABLE TUB.§2 L=1400
004		533018600	PLUG FITTING
004		533023300	BICONE §6 ("TARGET" PILOT
004		533041800	THERMOCOUPLE 1500 M9*1
004		537008300	ROUND PLUG §2,4- LONG ELECTRODE
004		533085200	SPACER FOR PILOT PLUG
004		533023200	TARGET PILOT + NIPPLE TC BRAC.90°
004		544362100	UPPER BURNER DEFLECTOR FOR OVEN 70
004		544362200	UPPER PILOT DEFLECTOR FOR OVEN 70
004		544362400	SIDE PILOT DEFLECTOR FOR OVEN 70
004		544362300	SIDE BURNER DEFLECTOR FOR OVEN 70
004		531004700	BURNER FOR OVEN GN 2/1 S.70
004		531025600	ELBOW 90° NOZZLE-HOLDER §10 PIPE
004		533010900	NUT M14*1 H.4
004		533053000	AIR ADJUSTMENT BUSHING §18
004		533020500	NOZZLE 0.140 §19
004		533020600	NOZZLE 0.140 §27

Page	Pos	Code	Description
004		533015200	NOZZLE §145 CH12*14 F-FP/CP6
004		533030600	NOZZLE §125 CH12*14
004		533056100	NOZZLE §220 CH12*14
004		533056300	NOZZLE §240 CH12*14
004		533056200	NOZZLE §230 CH12*14
004		533069700	BY PASS COCK §075 25ST
004		533069400	BY PASS COCK §065 25ST
004		531031600	HORIZON.THERMOSTATIC TAP BY-PASS 75
004		531033800	HORIZON.THERMOSTATIC TAP BYPASS §65
005		533039100	BICONE §6
005		533018500	FITTING FOR BICONE D.6 M10*1
005		532003900	BURNER COVER RING §100
005		531035400	BIG BURNER BODY 90 LINE
005		532004000	1 FLAME GRILL 396X366 (90
005		533010900	NUT M14*1 H.4
005		533039400	THERMOCOUPLE M9*1*850
005		544400300	BURNER DRIP PAN 2/3
005		533052301	JOINT FOR NOZZLE HOLDER
005		531035100	BIG BURNER VENTURI 90 LINE
005		533039300	BICONE §10
005		533010800	TUBE NUT D.10 M16*1,5
005		544424100	AIR ADJUSTMENT BUSHING*BURNER PC90
005		533038800	75 BY-PASS FOR 21S TAP
005		531032000	GAS COCK P.V.BY-PASS Ø075
005		539018900	INDEX FOR KNOB W/RED SIGN
005		536034500	KNOB §77 4P. §08*6,5
005		539054200	STAMP Ø20,5 CR."L" LOTUS R.
005		539062800	RED STICKING DISK 72
005		533091400	P.NOZZLE S100 UG.§20 PC90 LPG-FLUS
005		533091500	PILOT NOZZLE S.100 §30 PC90 NAT.GAS
005		533091000	NOZZLE 0.100 §20
005		533091200	PILOT NOZZLE 0100 Ø35 PIL.PC
005		533030800	NOZZLE §155 CH12X14 M-CW
005		533014800	NOZZLE §135 CH12*14,0
005		533056200	NOZZLE §230 CH12*14
005		533015000	NOZZLE D.I 260 G110 (TOWN GAS
005		533055400	NOZZLE §245 CH12*14
006		533039100	BICONE §6
006		533018500	FITTING FOR BICONE D.6 M10*1
006		532003800	BURNER COVER RING §082
006		531035300	MEDIUM BURNER BODY 90 LINE
006		532004000	1 FLAME GRILL 396X366 (90
006		544400200	BURNER DRIP PAN 2/3
006		533010900	NUT M14*1 H.4
006		531035000	MEDIUM BURNER VENTURI 90 LINE
006		533052301	JOINT FOR NOZZLE HOLDER
006		533039300	BICONE §10
006		533010800	TUBE NUT D.10 M16*1,5
006		533039400	THERMOCOUPLE M9*1*850
006		544424100	AIR ADJUSTMENT BUSHING*BURNER PC90
006		533080200	BY PASS COCK §65 20S-21S

Page	Pos	Code	Description
006		539018900	INDEX FOR KNOB W/RED SIGN
006		531043000	GAS COCK 21S P.V. BY-PASS §065
006		539054200	STAMP Ø20,5 CR."L" LOTUS R.
006		536034500	KNOB §77 4P. §08*6,5
006		539062800	RED STICKING DISK 72
006		533091400	P.NOZZLE S100 UG.§20 PC90 LPG-FLUS
006		533091500	PILOT NOZZLE S.100 §30 PC90 NAT.GAS
006		533091000	NOZZLE 0.100 §20
006		533091200	PILOT NOZZLE 0100 Ø35 PIL.PC
006		533043800	NOZZLE §130 CH12*14 G-CW4
006		533043900	NOZZLE §115 CH12*14 F-CW4
006		533044000	NOZZLE §195 CH12*14 M-CW4
006		533055100	NOZZLE §215 CH12*14 L-CW4
006		533055000	NOZZLE §205 CH12*14 G25 CW4
007		531003300	TP-PLATE LIFTING HOOK
007		541132300	PLATE TP-94G
007		541132200	PLATE TP-98G (1/2
007		544399100	PLATE RING FOR TP-74G TP-94G
007		544426600	PLATE RING FOR TP-98G
007		546015300	SQUARE BRAID 12*12*L=1821
007		546015100	SQUARE BRAID OF INSULATING MATERIAL
007		531044200	CIRCULAR BURNER TP D.066
007		531033100	BURNER TP.-78G
008		533023200	TARGET PILOT + NIPPLE TC BRAC.90°
008		533085200	SPACER FOR PILOT PLUG
008		533045700	THERMOCOUPLE M9*1 500
008		533039400	THERMOCOUPLE M9*1*850
008		533023300	BICONE §6 ("TARGET" PILOT
008		537008300	ROUND PLUG §2,4- LONG ELECTRODE
008		533018500	FITTING FOR BICONE D.6 M10*1
008		547003200	HIGH-VOLTAGE CABLE TUBE.§2 L=500
008		533018600	PLUG FITTING
008		533010900	NUT M14*1 H.4
008		533052301	JOINT FOR NOZZLE HOLDER
008		533039300	BICONE §10
008		533010800	TUBE NUT D.10 M16*1,5
008		539018900	INDEX FOR KNOB W/RED SIGN
008		533039100	BICONE §6
008		539062800	RED STICKING DISK 72
008		539054200	STAMP O20,5 CR."L" LOTUS R.
008		536034500	KNOB §77 4P. §08*6,5
008		531032100	GAS COCK 21S P.V.BY-PASS O100
008		531025500	GAS COCK 21S P.V.BY-PASS O130
008		533023600	TAP PLUG §10 M16*1, 5CH19
008		533069600	BY PASS COCK §130 20S-21S
008		537002800	PIEZOELECTRIC IGNITION M18 WITH NUT
008		533020500	NOZZLE 0.140 §19
008		533020600	NOZZLE 0.140 §27
008		533057700	NOZZLE §130A CH12*30 F-BRF74
008		533057600	NOZZLE §115A CH12*30 G-BRF74
008		533047400	NOZZLE §195 CH12*30 M-BM8

<b>Page</b>	<b>Pos</b>	<b>Code</b>	<b>Description</b>
008		533047300	NOZZLE \$215 CH12*30 L-BM8
008		533047500	NOZZLE \$205 CH12*30 ML-BM-8G
008		533046400	NOZZLE \$185 CH12*30 G-CPM
008		533019600	NOZZLE \$165 CH12*30 MH-FT5 H-FT6
008		533046200	NOZZLE \$150 CH12X30 L-BR TP
008		533057500	NOZZLE \$260 CH12X30
008		533032801	NOZZLE \$280 CH12*30 M-CPM
008		533032001	NOZZLE \$270 CH12*30 MH-CPM