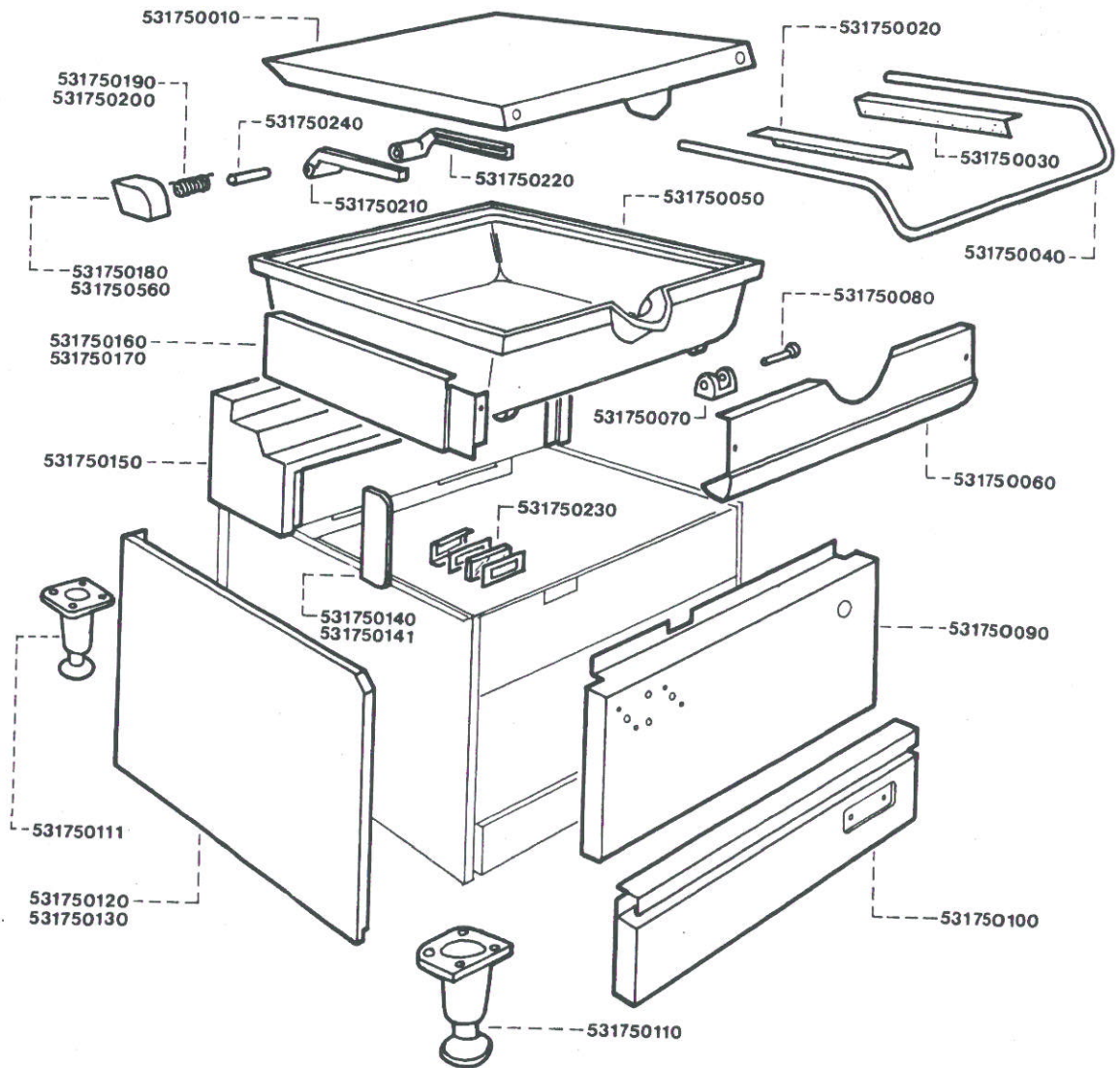


# G1962 BRATT PAN

# BRATT PAN FITMENTS



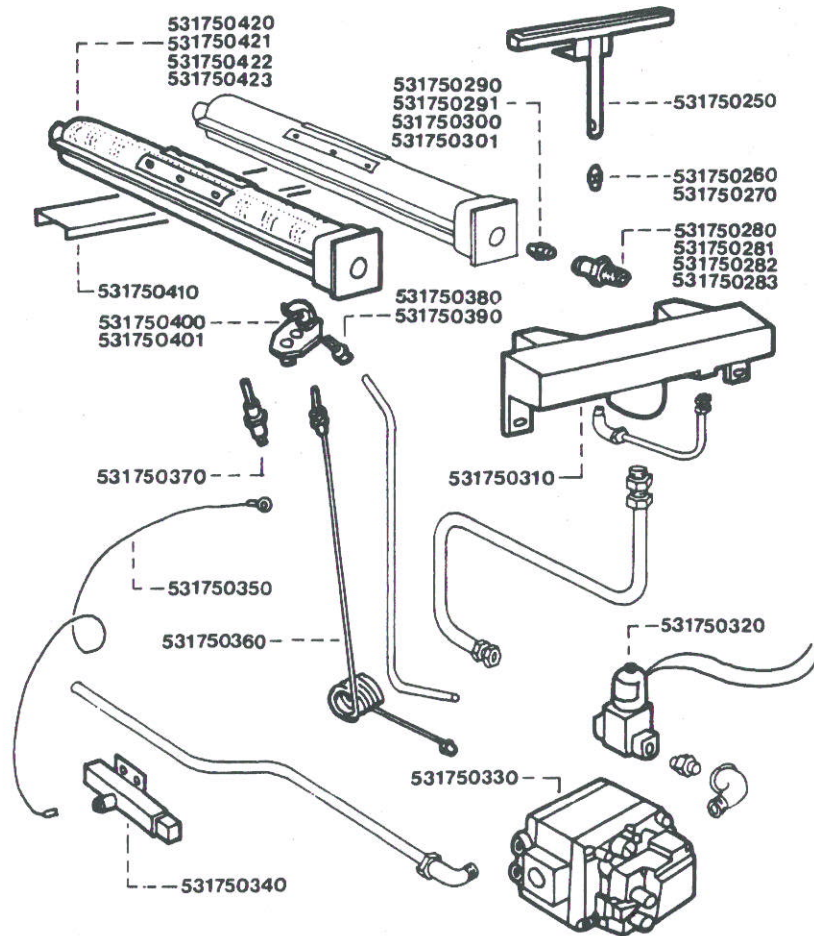
Code	No.	Description	Code	No.	Description
6H	531750010	Pan Lid	12C	531750140	End Cheek—LH
9C	531750020	Lid Handle Bracket—LH	12C	531750141	End Cheek—RH
9C	531750030	Lid Handle Bracket—RH	10G	531750150	Rear Hob Rail
10G	531750040	Lid Handle	12D	531750160	Pan Side Panel—LH
11N	531750050	Pan	12D	531750170	Pan Side Panel—RH
1D	531750060	Pan Facia Panel	3E	531750180	Lid Hinge Block—LH
9C	531750070	Pan Hinge Casting	8B	531750190	Lid Hinge Spring—LH
6B	531750080	Pan Hinge Pin	8B	531750200	Lid Hinge Spring—RH
7F	531750090	Front Panel	10E	531750210	Lid Hinge Arm—LH
12E	531750100	Bottom Front Panel	10E	531750220	Lid Hinge Arm—RH
9B	531750110	Adjustable Leg c/w foot—Front	8C	531750230	Sight Glass Assembly
9B	531750111	Adjustable Leg c/w Foot—Rear	3C	531750240	Lid Hinge Bar
2F	531750120	Outer Side Panel—LH	3E	531750560	Lid Hinge Block—RH
2F	531750130	Outer Side Panel—RH			

531753030 - DOOR MICROSWITCH PIN  
(NOT SHOWN)

Sheet Reference Number

G1962/0283/001





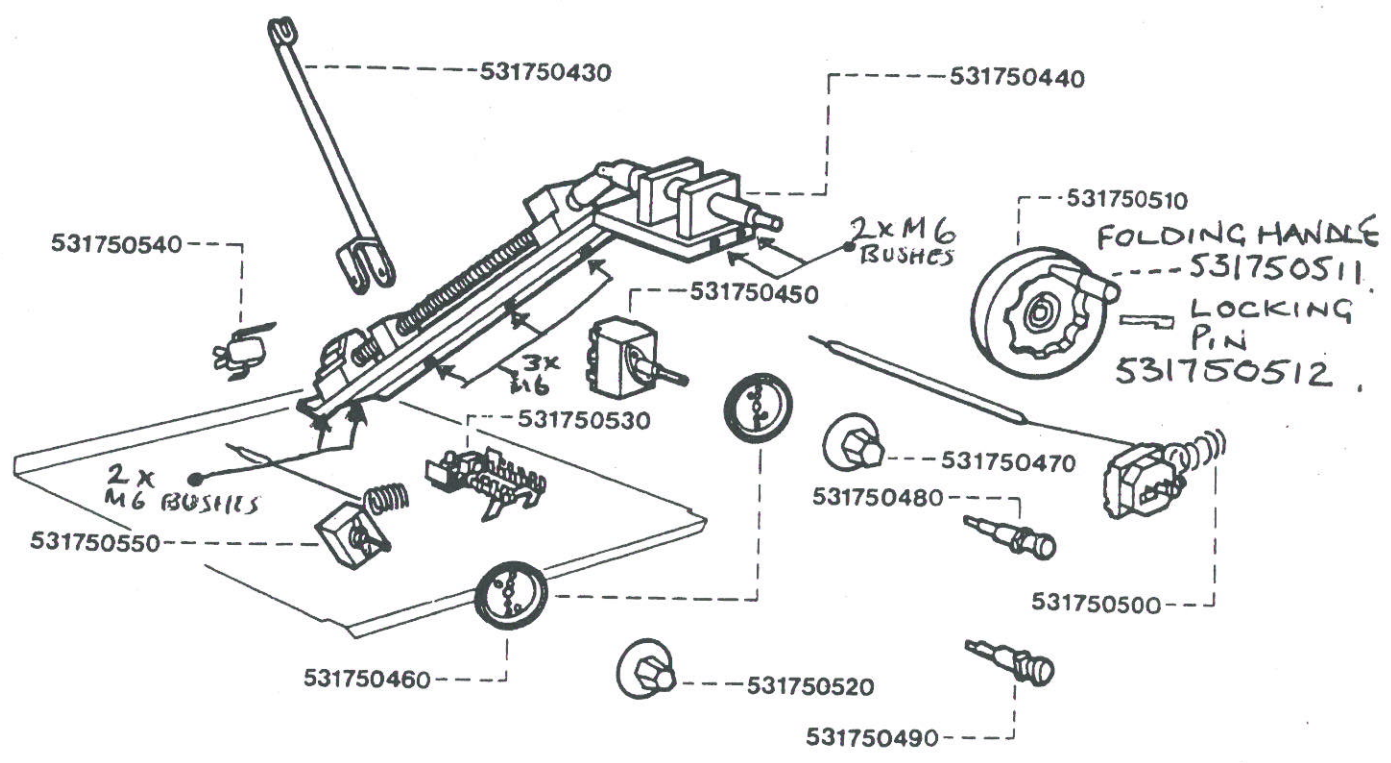
<u>Code</u>	<u>No.</u>	<u>Description</u>	<u>Code</u>	<u>No.</u>	<u>Description</u>
1F	531750250	Cross Lighting Burner	8D	531750340	Spark Igniter
1B	531750260	Cross Lighting Jet—Nat. Gas	3B	531750350	Igniter Lead
1B	531750270	Cross Lighting Jet—LP Gas	12C	531750360	Thermocouple
1B	531750280	LH Burner Injector—Nat Gas	10A	531750370	Electrode
1B	531750281	RH Burner Injector—Nat Gas	1B	531750380	Pilot Jet—Nat Gas
1B	531750282	LH Burner Injector—LP Gas	1B	531750390	Pilot Jet—LP Gas
1B	531750283	RH Burner Injector—LP Gas	7D	531750400	Pilot Burner—Nat Gas
1B	531750290	LH Injector Jet—Nat. Gas	5C	531750401	Pilot Burner—LP Gas
1B	531750291	RH Injector Jet—Nat Gas	9B	531750410	Burner Bracket
1B	531750300	RH Injector Jet—LP Gas	11H	531750420	LH Burner—Nat Gas
1B	531750301	RH Injector Jet—LP Gas	11H	531750421	RH Burner—Nat Gas
6D	531750310	Manifold	11H	531750422	LH Burner—LP Gas
6H	531750320	Solenoid Valve	11H	531750423	RH Burner—LP Gas
6H	531750330	Flame Failure Valve			

Sheet Reference Number

G1962/0283/002

# G1962 & G1994 Bratt Pans

# Mechanism and Electrics



Spares No.	Description
531750430	Jack Arm
531750440	Screw Jack
531750450	Simmerstat
531750460	Bezel
531750470	Simmerstat Knob
531750480	Indicator Lamp - Amber
531750490	Indicator Lamp - Red
531750500	Safety Thermostat
531750510	Handwheel
531750520	Control Thermostat Knob
531750530	Terminal Block
531750540	Microswitch
531750550	Control Thermostat