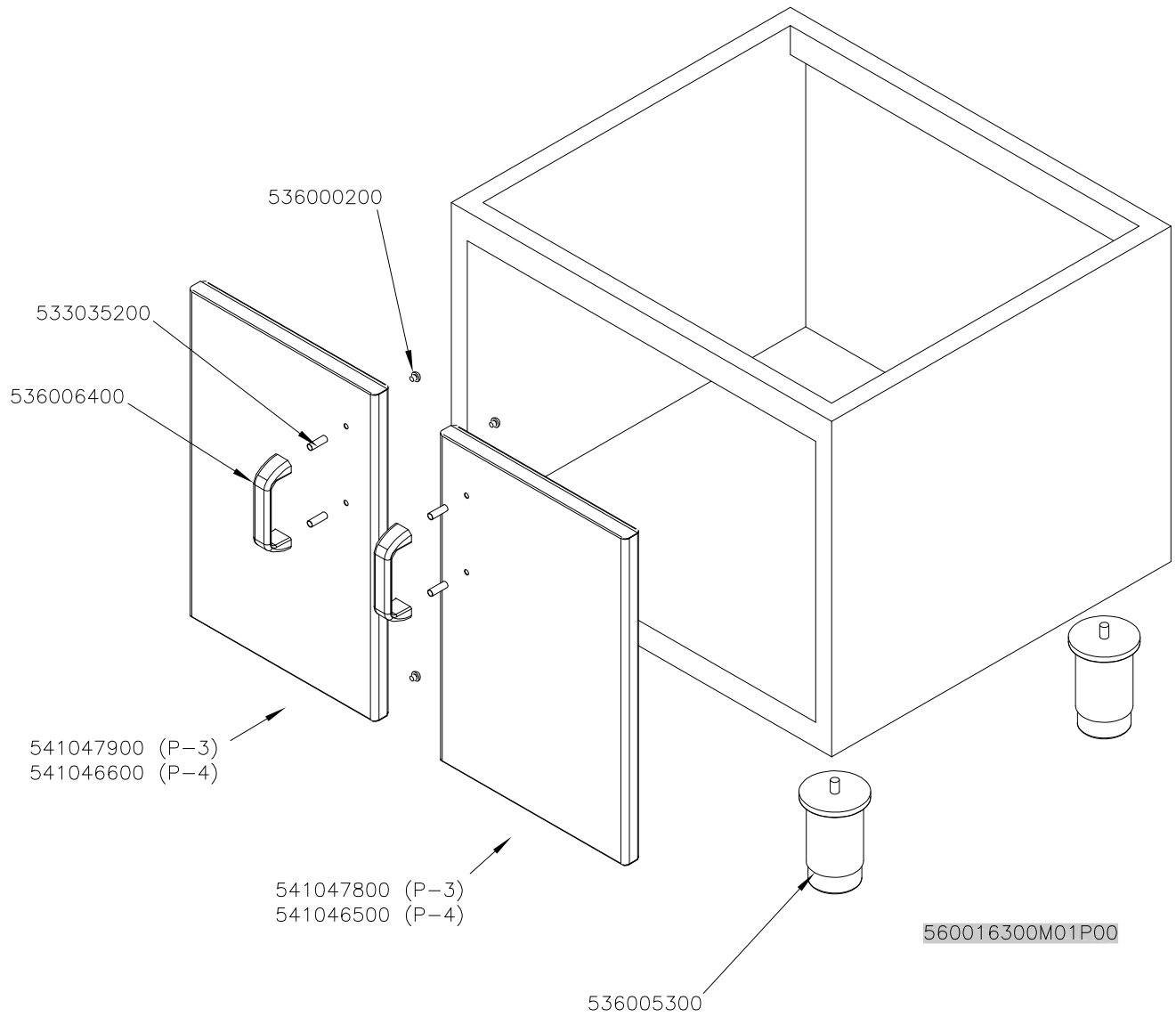


MP-60 MP-80 MCP-80



| Page | Pos | Code | Description |
|-------------|------------|-------------|-----------------------|
| 001 | | 536000200 | D.12 H.4 BUMPER |
| 001 | | 533035200 | |
| 001 | | 536006400 | BLACK HANDLE 65/FE/FG |
| 001 | | 541047900 | LEFT DOOR 30 |
| 001 | | 541047800 | RIGHT DOOR 30 |
| 001 | | 536005300 | PLASTIC LED 2" |