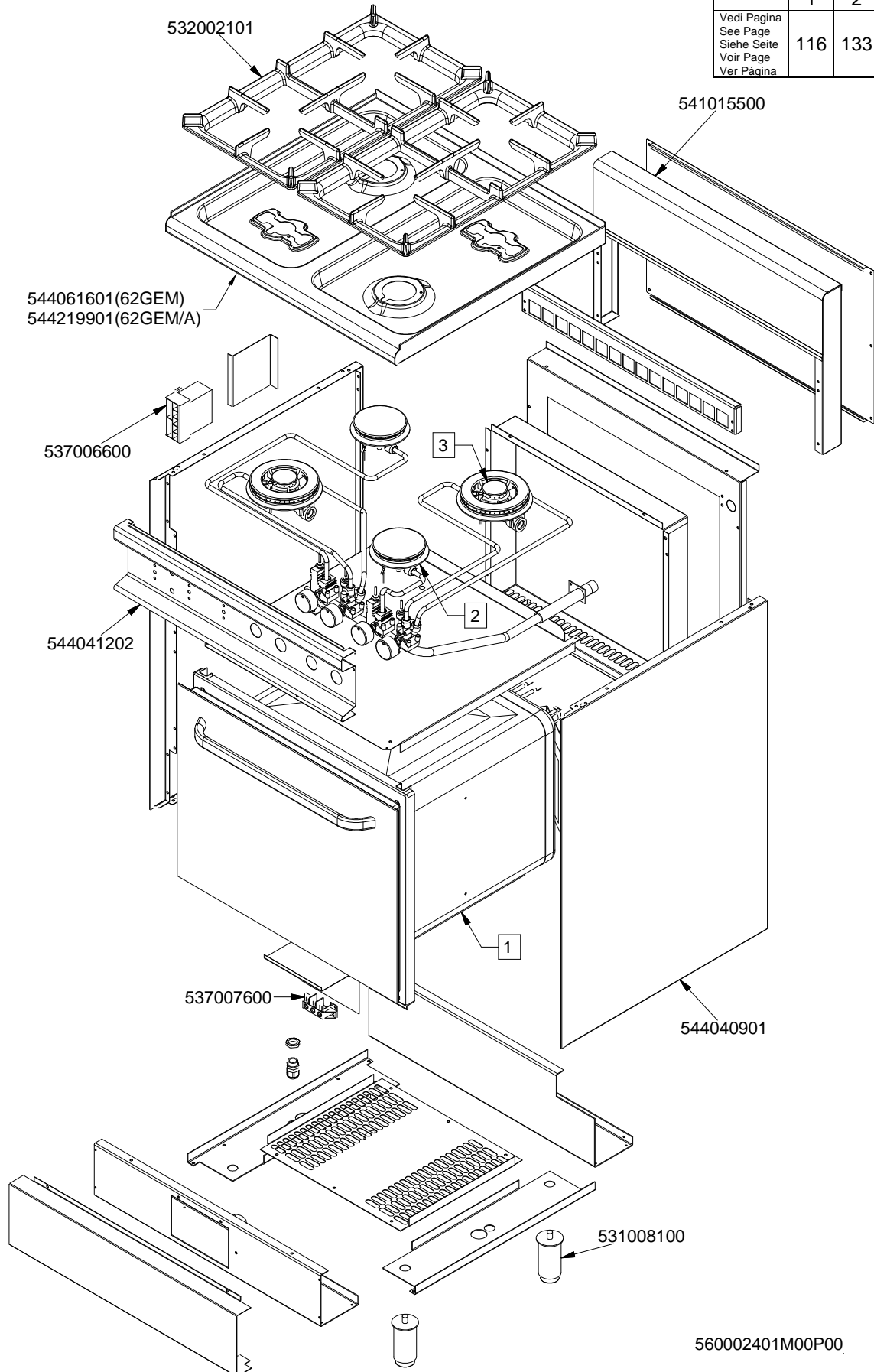


MAGIC SNACK 60

CUCINE / RANGES / HERDE / CUISINIÈRES / N° 20310
CF-62

CF-62GEM CF-62GEM/A

| | 1 | 2 | 3 |
|-------------|-----|-----|-----|
| Vedi Pagina | | | |
| See Page | 116 | 133 | 134 |
| Siehe Seite | | | |
| Voir Page | | | |
| Ver Pàgina | | | |

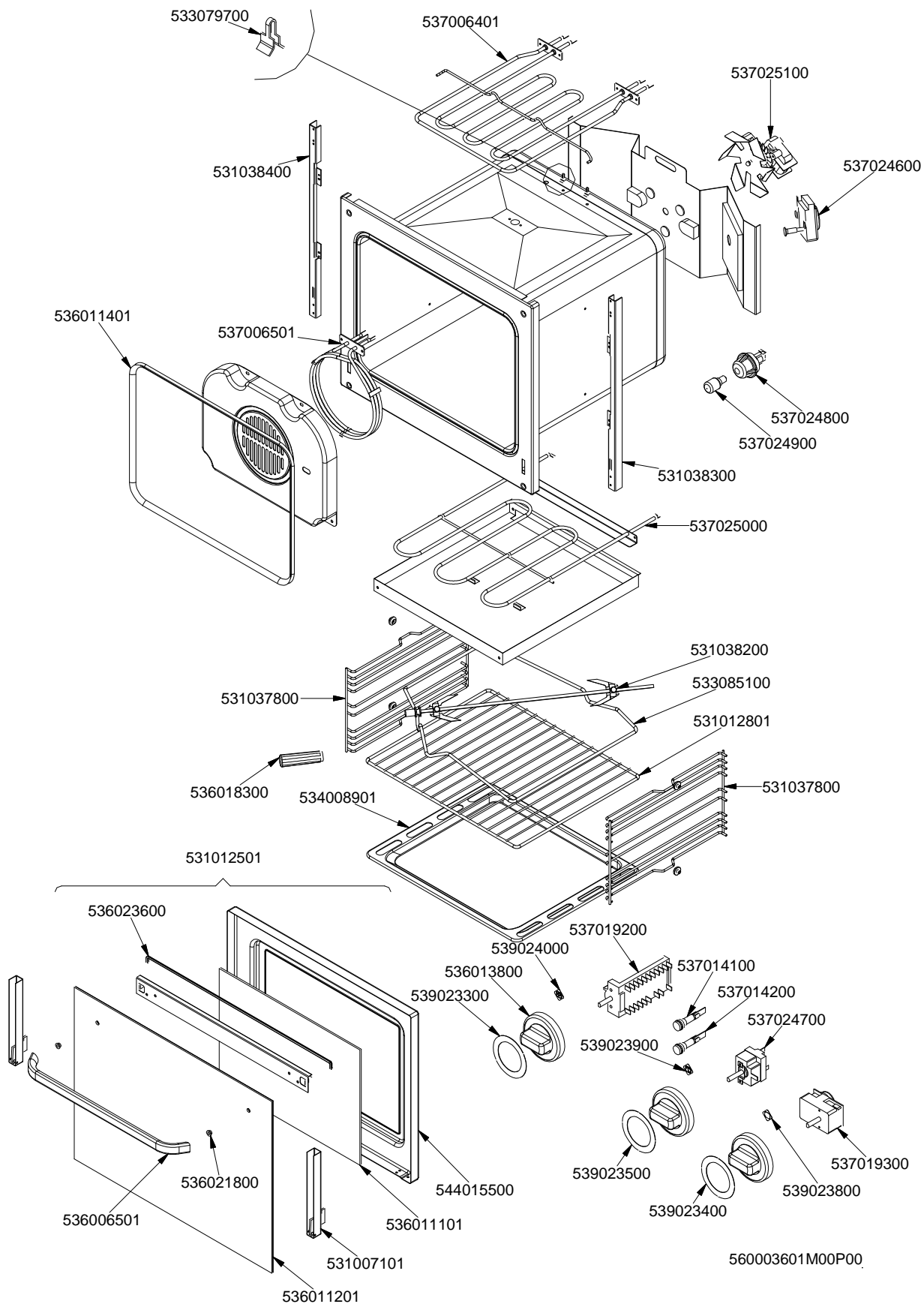


MAGIC SNACK 60

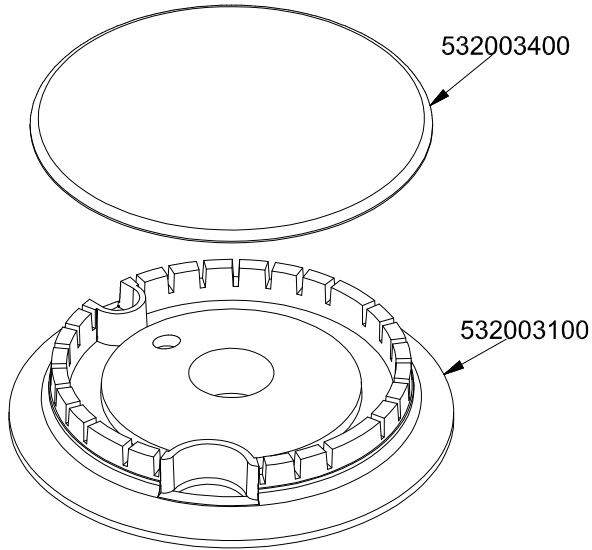
CUCINE / RANGES / HERDE / CUISINIÈRES / N° 0310

FORNO / OVEN / BACKOFEN / FOUR / CF-62

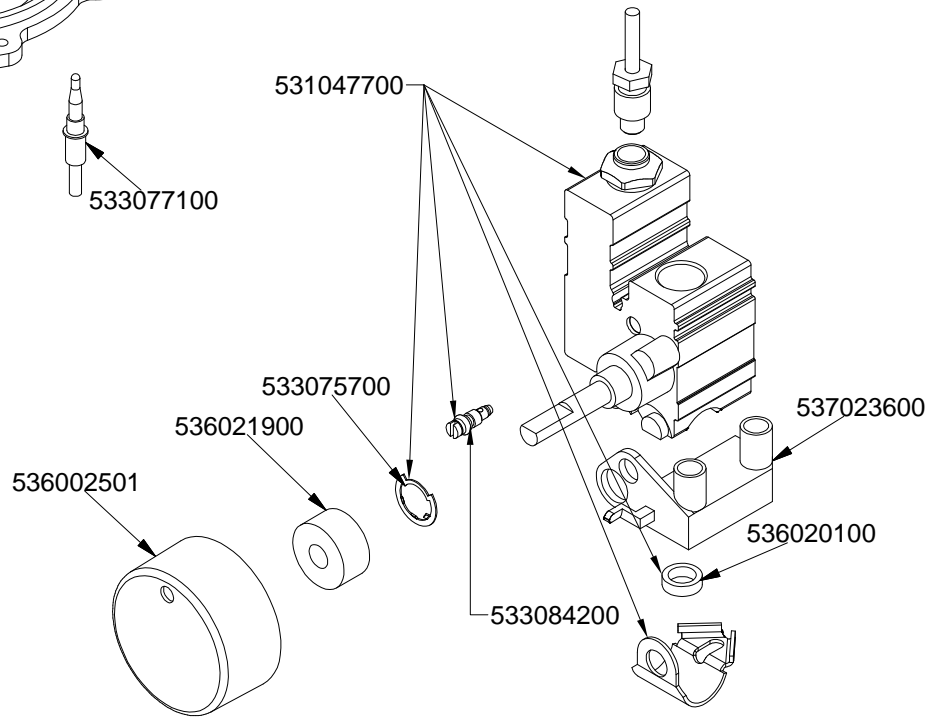
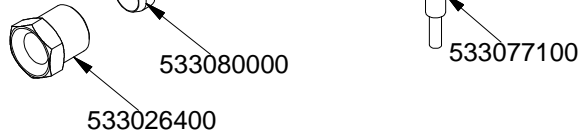
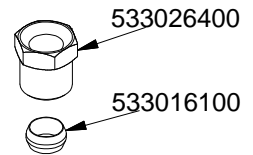
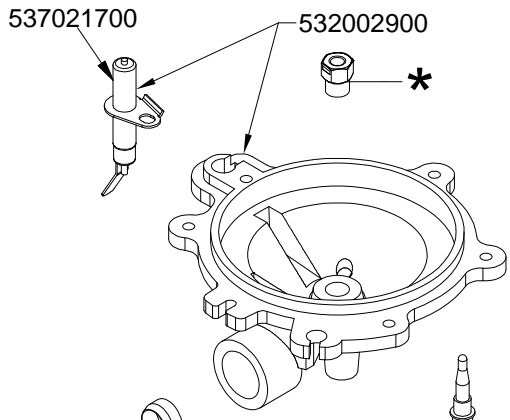
ELETTORICO MULTIFUNZIONE / MULTIFUNCTION ELECTRIC / MULTIFUNKTIONS
ELEKTRO / ELECTRIQUE A FONCTIONS MULTIPLES ≤0706



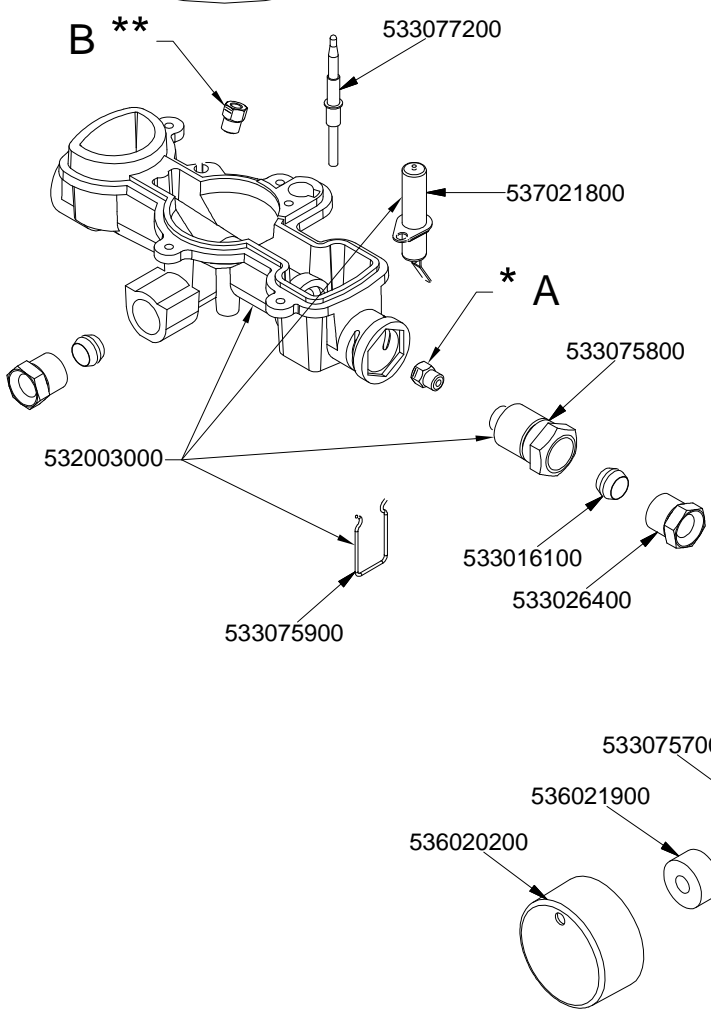
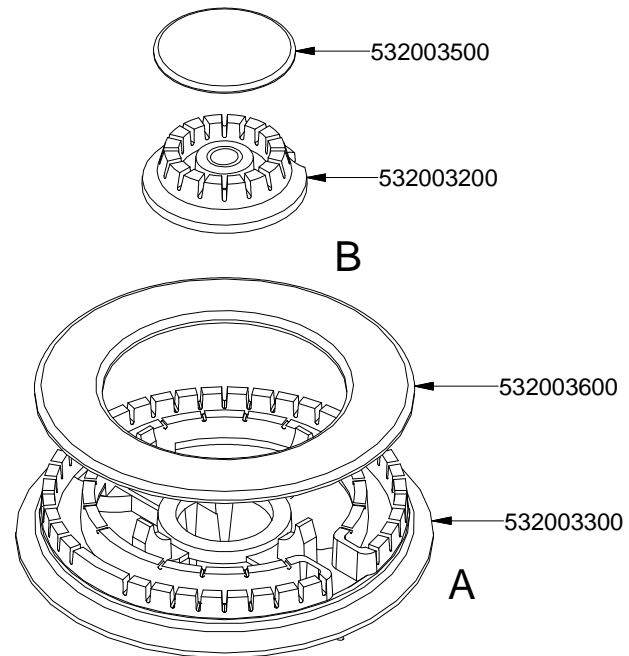
PC-G R N



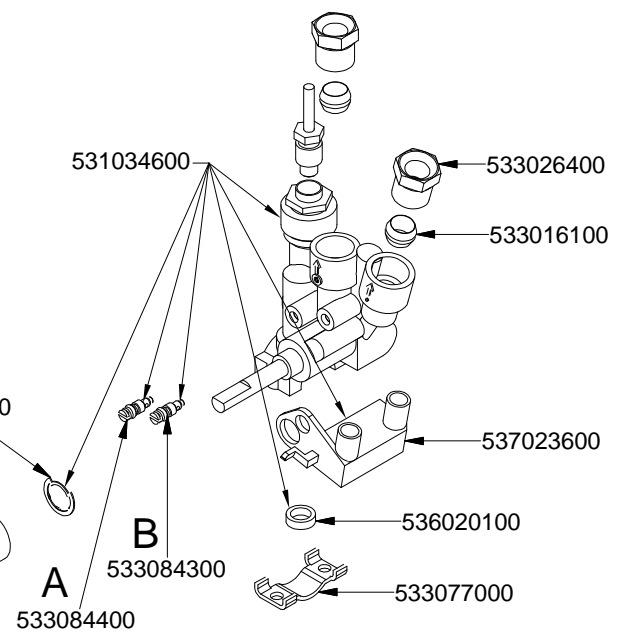
| | * |
|------------------------------|-----------|
| G30-28+30mbar G31- 37mbar | 533080600 |
| G30- 50mbar | 533083700 |
| G20- 20mbar G25- 25mbar | 533080700 |
| G20- 20mbar DE-AT | 533080700 |
| G25- 20mbar | 533080800 |
| G25- 25mbar NL | 533080900 |
| G20- 25mbar | |



PC-G WOK



| | * | ** |
|------------------------------|-----------|-----------|
| G30-28+30mbar G31- 37mbar | 533081000 | 533082200 |
| G30- 50mbar | 533082300 | 533083000 |
| G20- 20mbar G25- 25mbar | 533081200 | 533081100 |
| G20- DE-AT | 533081200 | 533081100 |
| G25- 20mbar | 533081400 | 533081300 |
| G25- NL | 533081500 | 533081300 |



560025101M00P00

| Page | Pos | Code | Description |
|------|-----|-----------|-------------------------------------|
| 001 | | 532002101 | GRILL 2 BURNERS 292X507 (60) |
| 001 | | 541015500 | NEUTRAL SPACER 62 |
| 001 | | 544061601 | UPPER PLATE PC-62G CF-62G (NEW MOD) |
| 001 | | 537006600 | IGNITION UNIT 4 FLAMES V230 |
| 001 | | 544041202 | CONTROL PANEL FOR CF-62GE CE |
| 001 | | 537007600 | TERMINAL BLOCK SINGLEPHASE 40A |
| 001 | | 544040901 | SIDE RANGE CF-62 |
| 001 | | 531008100 | ADJUSTABLE LEG H9 CHROME |
| 002 | | 533079700 | LOCK SPRING FOR BULB §3/§4 |
| 002 | | 537006401 | GRILL HEATING EL.W3100 V230 CF-62 |
| 002 | | 537025100 | FAN FOR MULTIF.OVEN CF-62E |
| 002 | | 537024600 | SPIT MOTOR FOR CF-8/10E V230 |
| 002 | | 531038400 | LHD DOOR WHEEL HOLDER MUL.OVEN CF62 |
| 002 | | 536011401 | OVEN GASKET CF-62 |
| 002 | | 537006501 | CIRC.HEATING EL. W2400 V230 CF-62 |
| 002 | | 537024800 | OVEN BULB-SOCKET CF-62E |
| 002 | | 537024900 | OVEN BULB 15W 300°C MAXI OVEN |
| 002 | | 531038300 | RHD DOOR WHEEL HOLDER F.MULTIF-OVEN |
| 002 | | 537025000 | OVEN LOW.HEATING EL.W1200 V230 CF62 |
| 002 | | 531038200 | SPIT FOR MULTIF. NEW OVEN CF-62 |
| 002 | | 533085100 | GRID FOR SPIT SUPPORT MULT.OV.CF-62 |
| 002 | | 531012801 | OVEN GRID CF-62 |
| 002 | | 531037800 | SUPPORT GRID OVEN NEW CF-62E |
| 002 | | 536018300 | GRIP FOR ROTATING SPIT |
| 002 | | 534008901 | OVEN DRIPPING-PAN CF-62 |
| 002 | | 531012501 | COMPLETE OVEN DOOR CF-62 |
| 002 | | 536023600 | GASKET FOR GLASS DOOR CF-62E |
| 002 | | 539023500 | ADHESIVE GRAD.DISC *E.MULTIF.TERM. |
| 002 | | 536006501 | NEW OVEN DOOR HANDLE CF-62 |
| 002 | | 536021800 | DOOR HANDLE SPACER FOR MAXI OVEN |
| 002 | | 536011101 | INTERNAL GLASS FOR OVEN DOOR CF-62 |
| 002 | | 531007101 | OVEN DOOR HINGE FOR CF-62 |
| 002 | | 536011201 | EXTERNAL GLASS FOR OVEN DOOR CF-62 |
| 002 | | 537019200 | SELECTOR FOR MULTIFUNCTION OVEN |
| 002 | | 539024000 | SIGN PLATE FOR OVEN SELECTOR |
| 002 | | 536013800 | KNOB D.70 BLACK 6*5 WITH SPRING |
| 002 | | 537014100 | WHITE WARNING LIGHT 250V |
| 002 | | 539023300 | ADHESIVE GRADUATED DISC FOR KNOB |
| 002 | | 537014200 | GREEN WARNING LIGHT 250V |
| 002 | | 537024700 | SINGLEPH.THERMOST.45-250°C MULTI.OV |
| 002 | | 539023900 | SIGN PLATE FOR OVEN TEMPERATURE |
| 002 | | 537019300 | TIMER FOR MULTIFUNCTION OVEN |
| 002 | | 544015500 | INNER DOOR OF OVEN CF-62 |
| 002 | | 539023800 | SIGN PLATE FOR OVEN TIMER |
| 002 | | 539023400 | ADHESIVE GRADUATED DISC F.KNOB |
| 003 | | 532003400 | QUICK BURNER COVER |
| 003 | | 532003100 | QUICK BURNER RING 640 |
| 003 | | 537021700 | PLUG IGNITION FOR QUICK BURNER |
| 003 | | 532002900 | QUICK BURNER BODY 740 |
| 003 | | 533026400 | ELBOW FOR BICONE D.8 M13X1 |
| 003 | | 533016100 | BICONE D.8 |

| Page | Pos | Code | Description |
|------|-----|-----------|-------------------------------------|
| 003 | | 531047700 | TAP WITH VALVE 699 BY PASS § 40 |
| 003 | | 533077100 | THERMOCOUPLE 600 M8*1 QUICK BURNER |
| 003 | | 533080000 | BICONE § 8 |
| 003 | | 533075700 | |
| 003 | | 536021900 | MAN.EXTENSION MICRO DRIVING TAP 60 |
| 003 | | 536002501 | COCK KNOB SNACK PC |
| 003 | | 537023600 | MICRO-SWITCH FOR COCK 250V 0,0054 |
| 003 | | 536020100 | TAP GASKET 699 |
| 003 | | 533084200 | BY PASS COCK §40 699 |
| 003 | | 533080600 | NOZZLE §88 CH7*9,3 G30-30 R |
| 003 | | 533083700 | NOZZLE §80 CH7*22 G30-50 R |
| 003 | | 533080700 | NOZZLE §134 CH7*9,3 G20-20 R |
| 003 | | 533080800 | NOZZLE §143 CH7*9,3 G25-20 R |
| 003 | | 533080900 | NOZZLE §134A CH7*9,3 G25-25NL R |
| 004 | | 532003500 | CENTRAL BURNER COVER WOK |
| 004 | | 532003200 | CENTRAL BURNER RING WOK 647 |
| 004 | | 532003600 | EXTERNAL BURNER COVER WOK |
| 004 | | 532003300 | EXTERNAL BURNER RING WOK |
| 004 | | 533077200 | THERMOCOUPLE 600 M8*1 QUICK BURNER |
| 004 | | 537021800 | PLUG IGNITION FOR WOK-BURNER |
| 004 | | 533075800 | FITTING FOR NOZZLE-SUPPORT M12X1,25 |
| 004 | | 532003000 | BURNER BODY WOK 743 |
| 004 | | 533016100 | BICONE D.8 |
| 004 | | 533026400 | ELBOW FOR BICONE D.8 M13X1 |
| 004 | | 533075900 | |
| 004 | | 531034600 | TAP WITH VALVE 2OUT009 BYPASS 32/57 |
| 004 | | 533075700 | |
| 004 | | 537023600 | MICRO-SWITCH FOR COCK 250V 0,0054 |
| 004 | | 536021900 | MAN.EXTENSION MICRO DRIVING TAP 60 |
| 004 | | 536020200 | COCK KNOB SNACK 2. PC |
| 004 | | 536020100 | TAP GASKET 699 |
| 004 | | 533084300 | BY PASS COCK §32 009 |
| 004 | | 533077000 | TAP BRIDLE 2 OUT 009 |
| 004 | | 533084400 | BY PASS COCK §57 009 |
| 004 | | 533081000 | NOZZLE §84 CH7*9,3 G30-30 W EST. |
| 004 | | 533082200 | NOZZLE §51 CH7*11 G30-30 W INT. |
| 004 | | 533082300 | NOZZLE §76 CH7*11 G30-50 W.EXT. |
| 004 | | 533083000 | NOZZLE §51 CH7*20 G30-50 W INT. |
| 004 | | 533081200 | NOZZLE §130 CH7*9,3 G20-20 W EST. |
| 004 | | 533081100 | NOZZLE §80 CH7*9,3 G20-20 W INT. |
| 004 | | 533081400 | NOZZLE §142 CH7*9,3 G25-20 W EST. |
| 004 | | 533081300 | NOZZLE §125 G20 |
| 004 | | 533081500 | NOZZLE §135 CH7*9,3 G25-25NL W EST. |