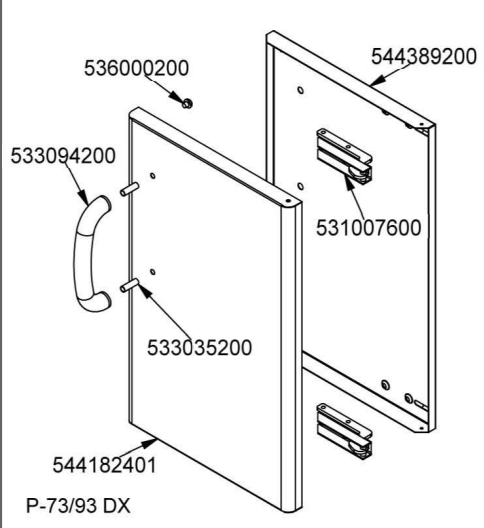
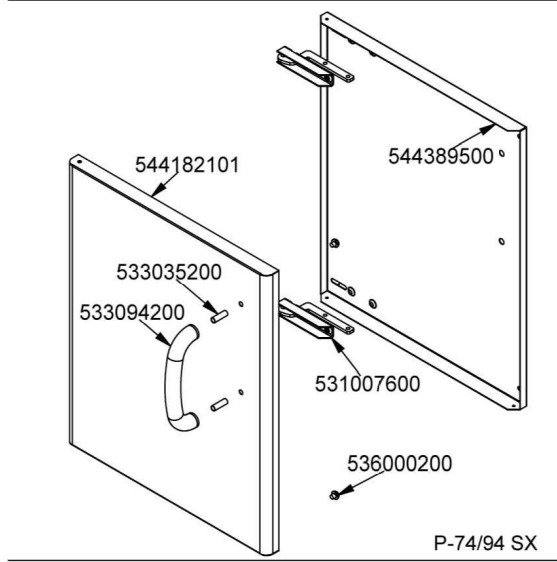




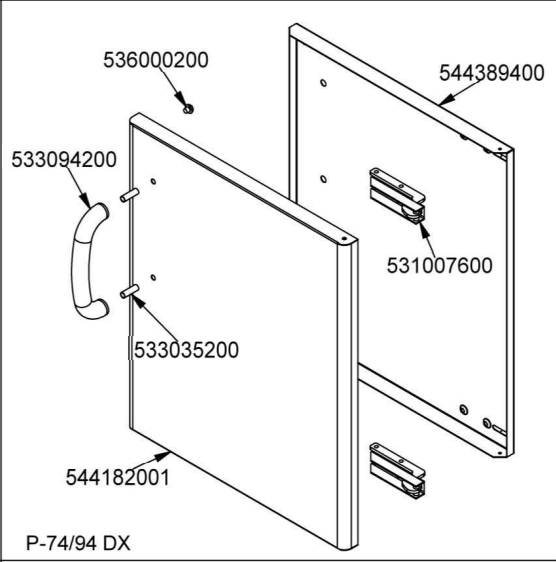
P-73/93 SX



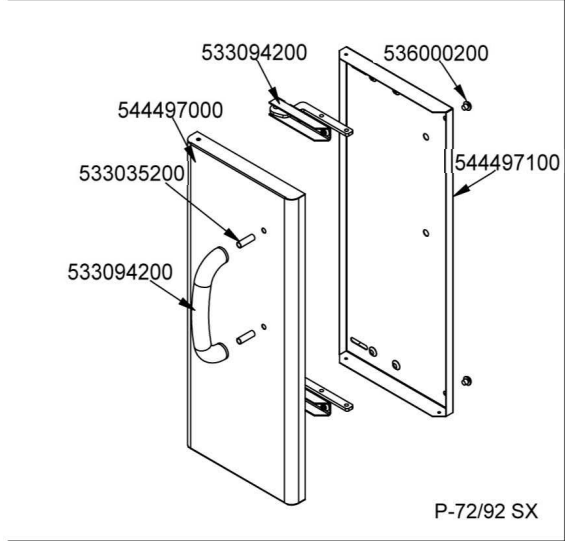
P-73/93 DX



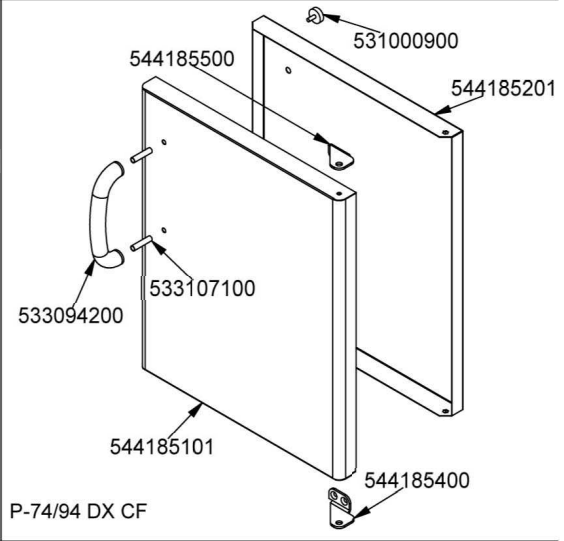
P-74/94 SX



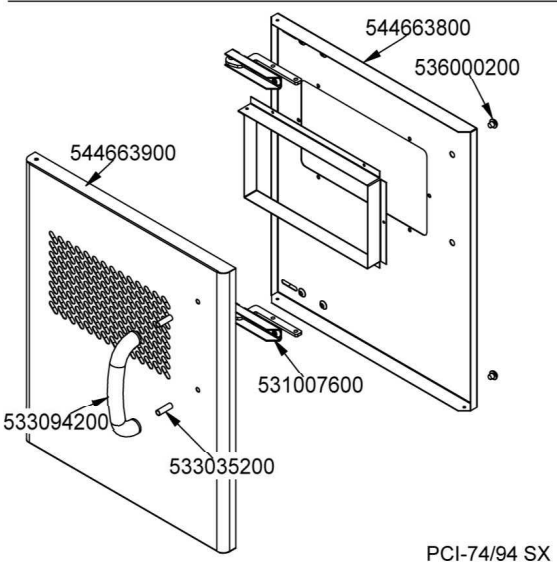
P-74/94 DX



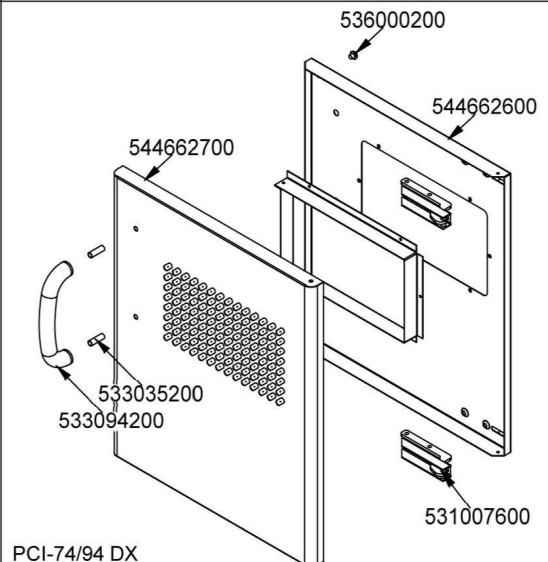
P-72/92 SX



P-74/94 DX CF



PCI-74/94 SX



PCI-74/94 DX

Page	Pos	Code	Description
001		532004100	FLUE GRID L=370 90LINE (RAF
001		536001700	GRIP D.25*19*M6
001		536022101	PLUG FOR BRF BASIN
001		541129300	UPPER PLATE BRF-94G
001		531044600	BURNER BRF-94G
001		533053000	AIR ADJUSTMENT BUSHING §18
001		544407400	LEFT SIDE PANEL 70 LINE
001		541113502	CONTROL PANEL S607090 BRF-74/94G
001		544381800	GN1/1 LID BRF W/MANUAL DISCHARGE
001		531015700	LHD TELESCOPIC GUIDE RS50 L=570
001		25035335	
001		531015600	RHD TELESCOPIC GUIDE RS50 L=570
001		544407300	RIGHT SIDE PANEL 90 LINE
001		536005200	INOX LEG 2" 120-180 M10
002		533010900	NUT M14*1 H.4
002		531025600	ELBOW 90° NOZZLE-HOLDER §10 PIPE
002		533039300	BICONE §10
002		533010800	TUBE NUT D.10 M16*1,5
002		536034500	KNOB §77 4P. §08*6,5
002		539054200	STAMP Ø20,5 CR."L" LOTUS R.
002		539060800	RED STICKING DISK 72 (150,300°
002		539018900	INDEX FOR KNOB W/RED SIGN
002		533039100	BICONE §6
002		533018500	FITTING FOR BICONE D.6 M10*1
002		547003200	HIGH-VOLTAGE CABLE TUBE.§2 L=500
002		533018600	PLUG FITTING
002		537008300	ROUND PLUG §2,4- LONG ELECTRODE
002		533045700	THERMOCOUPLE M9*1 500
002		533010400	BICONE D.6
002		533011500	PILOT BURNER 2 FLAMES 220
002		533085200	SPACER FOR PILOT PLUG
002		533017900	BICONE D.12
002		533018000	ELBOW FOR BICONE D.12 3/8 RS L20
002		533053600	EUROSIT VALVE PLUG
002		537002800	PIEZOELECTRIC IGNITION M18 WITH NUT
002		533020800	NOZZLE 0160-FLUSS. (25
002		533020300	NOZZLE 0160 (NATURAL GAS) 1-2 (41
002		531034000	GAS COCK 25ST P.O. BY-PASS §100
002		531033900	HORIZON.THERMOSTATIC TAP BYPASS §85
002		533069300	BY PASS COCK §100 25ST
002		533069500	BY PASS COCK §085 25ST
002		533058600	NOZZLE §145A CH12*30 G-BRF94
002		533059100	NOZZLE §125A CH12*30 G-BM8
002		533058700	NOZZLE §230 CH12*30 H-BRF94
002		533094100	NOZZLE §250 CH12*30 L-BRF94
002		533094000	NOZZLE §250 CH12*30 L-BRF94
003		544389300	CONTROP.73 SX APP. LT
003		531007600	DOOR HINGE
003		544182501	LEFT DOOR 73
003		533094200	S/S HANDLE FOR 70/90 SERIES
003		533035200	HANDLE SPACER

Page	Pos	Code	Description
003		536000200	D.12 H.4 BUMPER
003		544389200	CONTROP.73 DX APP. LT
003		544182401	RIGHT DOOR 73
003		544182101	LEFT DOOR 74
003		544389500	INNER-DOOR OF LHD 74
003		544389400	CONTROP.74 DX APP. LT
003		544182001	RIGHT DOOR 74
003		544497000	PORTA 72 SX
003		544497100	CONTROP.72 SX APP. LT
003		544185101	RIGHT DOOR 74 CF
003		533107100	HANDLE SPACER OF CF-70
003		544185500	UPPER DOOR HINGE FOR COMPARTME CF70
003		531000900	MAGNET §22 KG.3 WITH DISK
003		544185201	INNER DOOR * 74DX
003		544185400	LOWER DOOR HINGE FOR COMPARTME CF70
003		544663900	LHD 74 DOOR FOR PCI
003		544663800	74 LHD OVEN INNER DOOR FOUR PCI
003		544662700	DOOR 74 DX PCI
003		544662600	CONTROP.74 DX APP. LT PCI