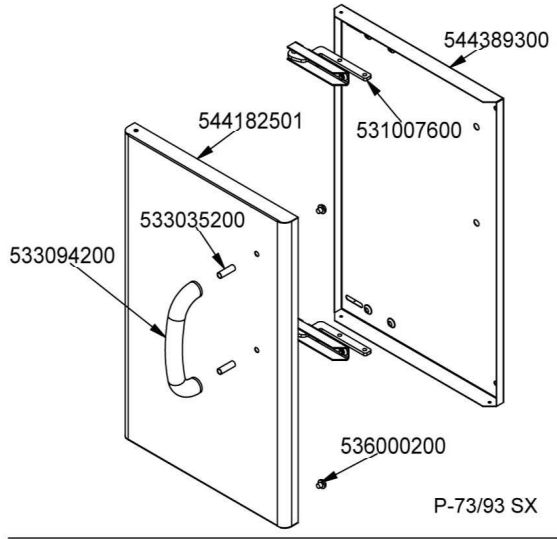
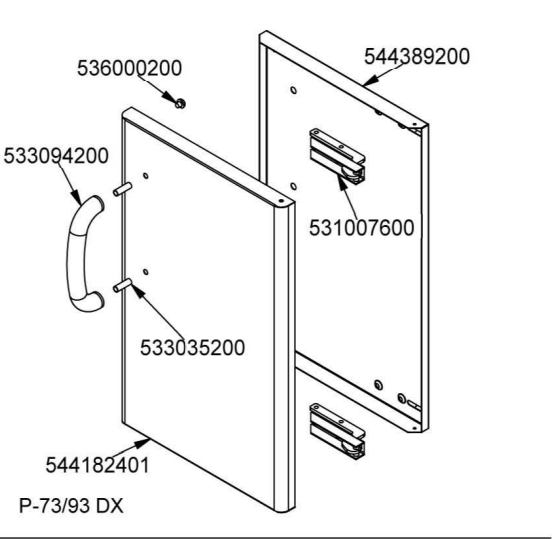


	*	**	***	****
G30-28+30mbar G31- 37mbar	533020200	533059100	533069700	531031600
G30- 50mbar	533020200	533109500	533069400	531033800
G20- 20mbar G25- 25mbar	533020400	533058100	533069700	531031600
G20- 20mbar DE-AT	533020400	533058100	533069400	531033800
G25- 20mbar	533020400	533057800	533069400	531033800
G25- 25mbar NL	533020400	533109100	533069700	531031600

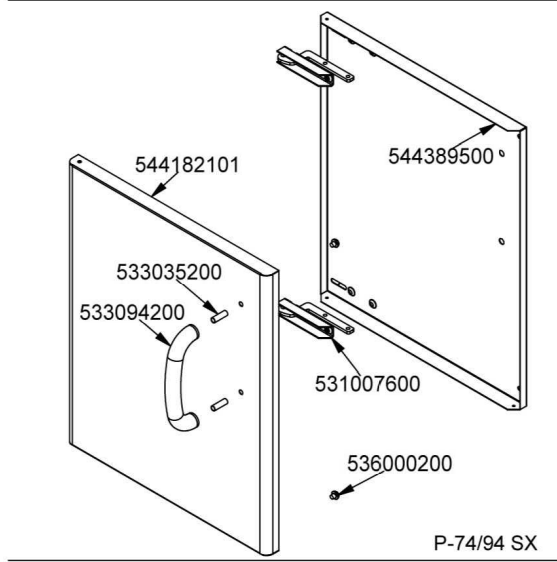
560072800M01P00



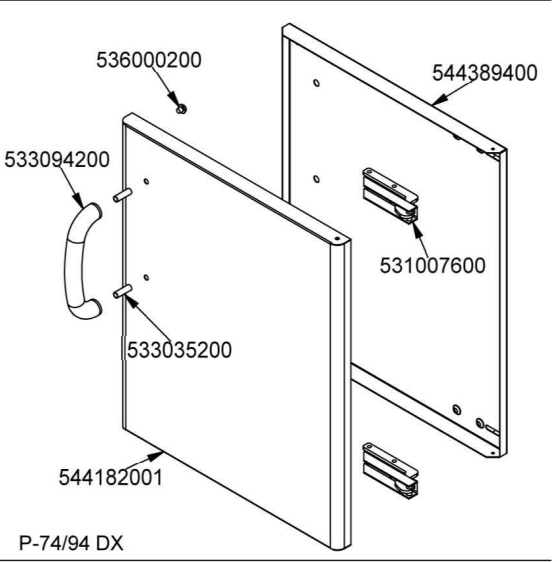
P-73/93 SX



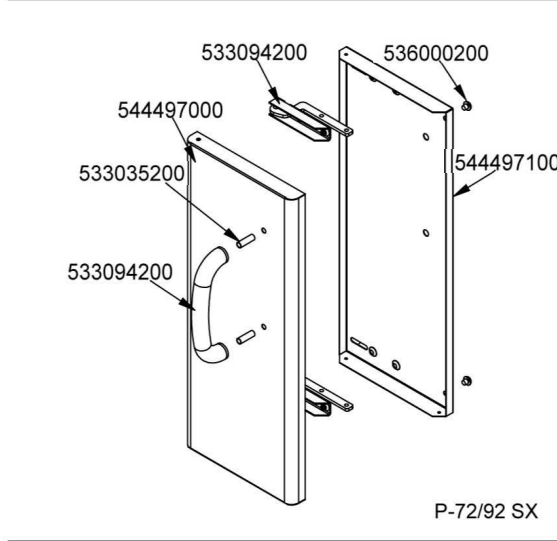
P-73/93 DX



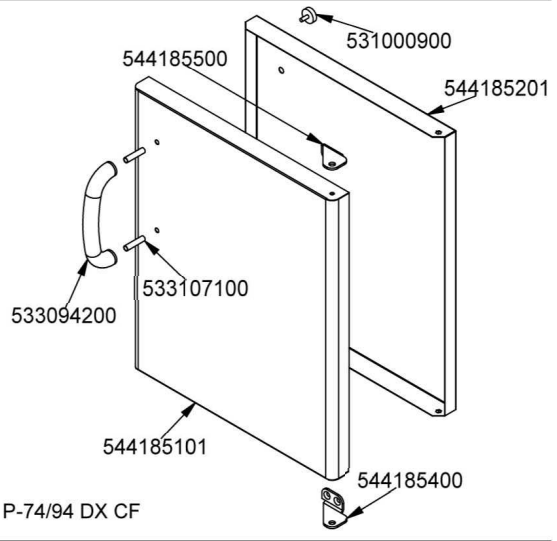
P-74/94 SX



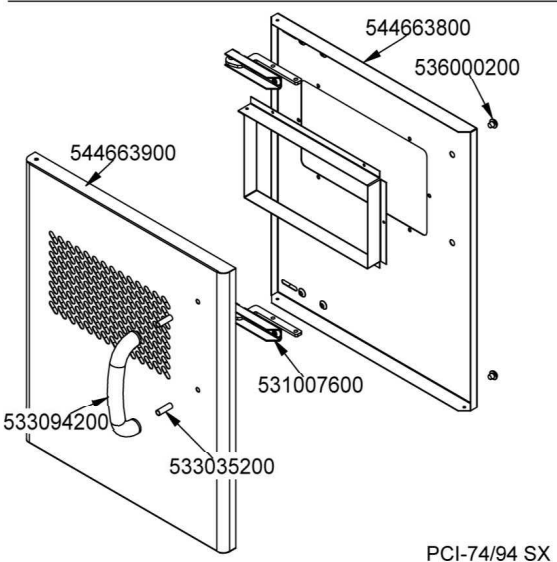
P-74/94 DX



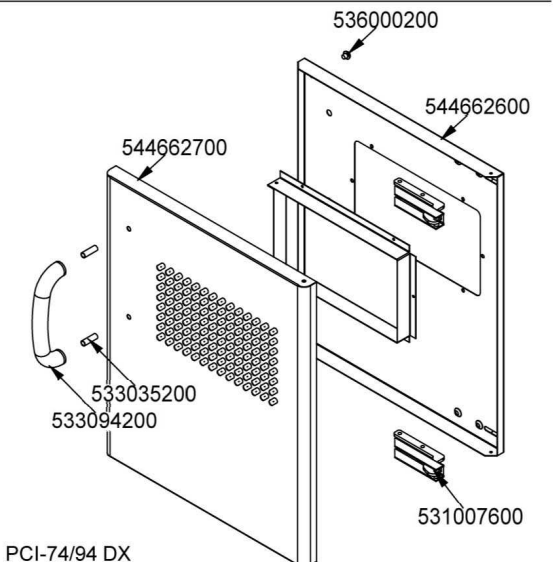
P-72/92 SX



P-74/94 DX CF



PCI-74/94 SX



PCI-74/94 DX

Page	Pos	Code	Description
001		536001700	GRIP D.25*19*M6
001		536022101	PLUG FOR BRF BASIN
001		541197600	UPPER PLATE S60T BRF-64G
001		531056600	BURNER BRF-64G 06KW
001		533053000	AIR ADJUSTMENT BUSHING §18
001		544508700	
001		541113500	UPPER PLATE BRF-74G
001		544562800	
001		531057100	LHD TELESCOPIC GUIDE RS50 L=480
001		25033535	
001		544508600	
001		531057000	RHD TELESCOPIC GUIDE RS50 L=480
001		531048400	INOX LEG Ø1"3/4 100-165 M10
002		533010900	NUT M14*1 H.4
002		531025600	ELBOW 90° NOZZLE-HOLDER §10 PIPE
002		533039300	BICONE §10
002		533010800	TUBE NUT D.10 M16*1,5
002		539018900	INDEX FOR KNOB W/RED SIGN
002		536034500	KNOB §77 4P. §08*6,5
002		539054200	STAMP Ø20,5 CR."L" LOTUS R.
002		539060800	RED STICKING DISK 72 (150,300°
002		533039100	BICONE §6
002		533018500	FITTING FOR BICONE D.6 M10*1
002		533018000	ELBOW FOR BICONE D.12 3/8 RS L20
002		533017900	BICONE D.12
002		537002800	PIEZOELECTRIC IGNITION M18 WITH NUT
002		533053600	EUROSIT VALVE PLUG
002		533011500	PILOT BURNER 2 FLAMES 220
002		533010400	BICONE D.6
002		533045700	THERMOCOUPLE M9*1 500
002		533085200	SPACER FOR PILOT PLUG
002		537008300	ROUND PLUG §2,4- LONG ELECTRODE
002		533018600	PLUG FITTING
002		547003200	HIGH-VOLTAGE CABLE TUBE.§2 L=500
002		533020200	PILOT JETS 0160 FOR LPG §30
002		533020400	NOZZLE 0160 (NATURAL GAS) 51
002		533059100	NOZZLE §125A CH12*30 G-BM8
002		533109500	NOZZLE CH12X30,0 Ø105A
002		533058100	NOZZLE §190 CH12*30 G-BRF78
002		533057800	NOZZLE §205A CH12*30 H-BRF74
002		533109100	NOZZLE CH12X30,0 Ø195A S/F.E.
002		533069700	BY PASS COCK §075 25ST
002		533069400	BY PASS COCK §065 25ST
002		531031600	HORIZON.THERMOSTATIC TAP BY-PASS 75
002		531033800	HORIZON.THERMOSTATIC TAP BYPASS §65
003		544389300	CONTROP.73 SX APP. LT
003		531007600	DOOR HINGE
003		544182501	LEFT DOOR 73
003		533094200	S/S HANDLE FOR 70/90 SERIES
003		533035200	HANDLE SPACER
003		536000200	D.12 H.4 BUMPER

Page	Pos	Code	Description
003		544389200	CONTROP.73 DX APP. LT
003		544182401	RIGHT DOOR 73
003		544182101	LEFT DOOR 74
003		544389500	INNER-DOOR OF LHD 74
003		544389400	CONTROP.74 DX APP. LT
003		544182001	RIGHT DOOR 74
003		544497000	PORTA 72 SX
003		544497100	CONTROP.72 SX APP. LT
003		544185101	RIGHT DOOR 74 CF
003		533107100	HANDLE SPACER OF CF-70
003		544185500	UPPER DOOR HINGE FOR COMPARTME CF70
003		531000900	MAGNET §22 KG.3 WITH DISK
003		544185201	INNER DOOR * 74DX
003		544185400	LOWER DOOR HINGE FOR COMPARTME CF70
003		544663900	LHD 74 DOOR FOR PCI
003		544663800	74 LHD OVEN INNER DOOR FOUR PCI
003		544662700	DOOR 74 DX PCI
003		544662600	CONTROP.74 DX APP. LT PCI