

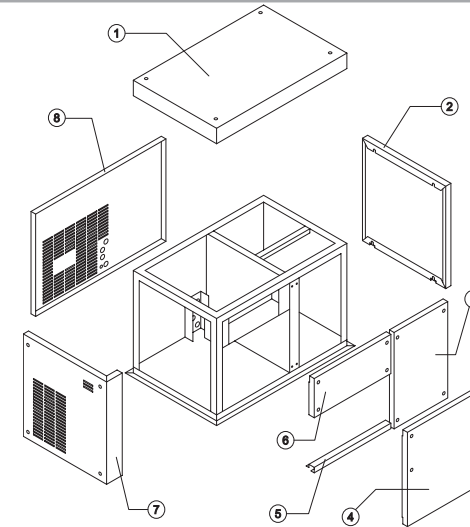


MUSTER 800

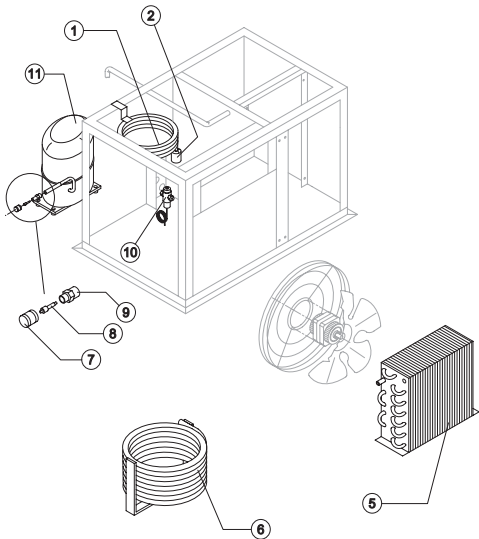
LIST OF THE EXPLODED VIEWS



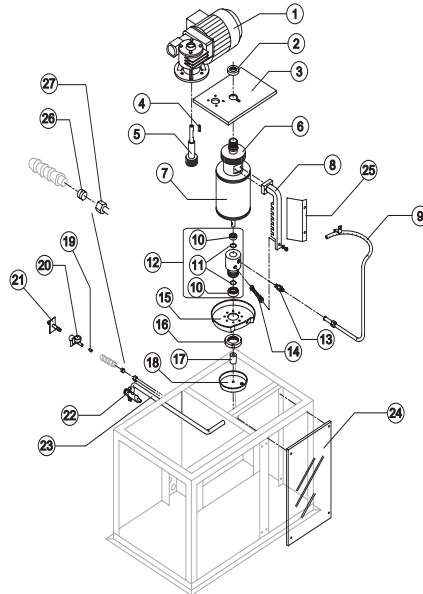
SHELL ASSY



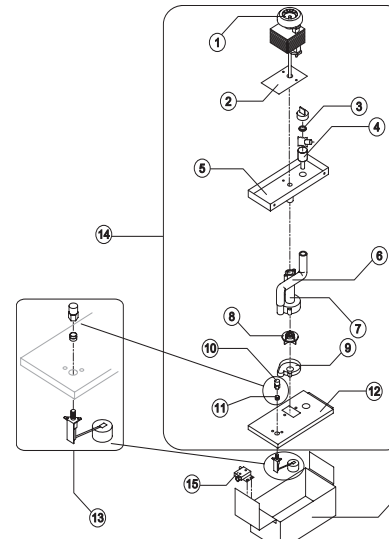
COOLING SYSTEM



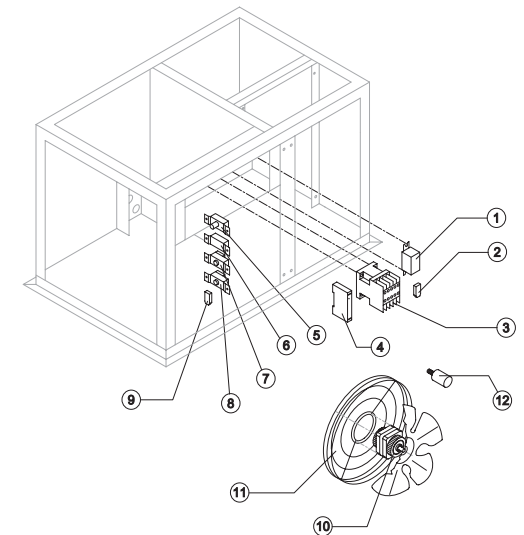
EVAPORATOR



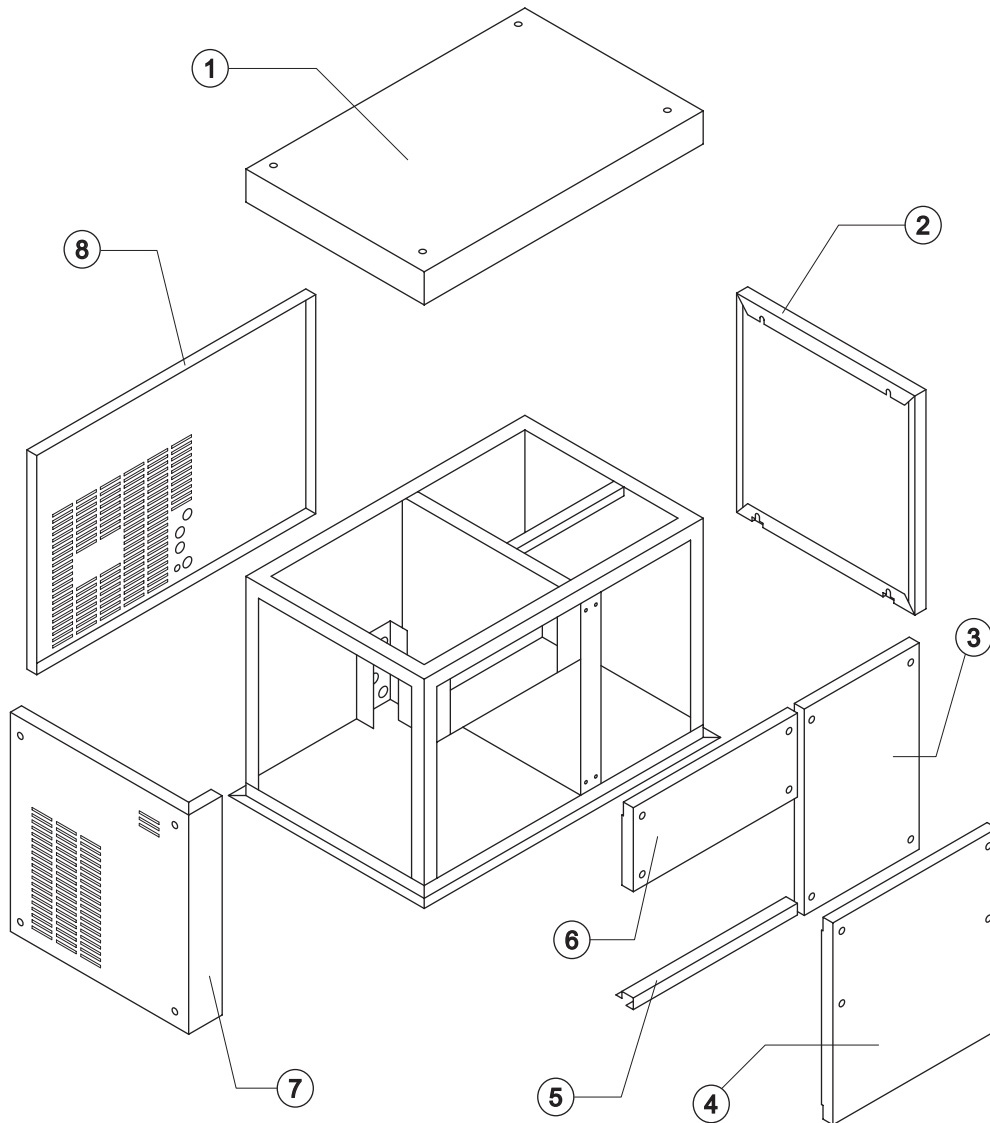
PUMP



ELECTRIC PARTS



Rev. 4 - 20/10/2003



Rev. 4 - 20/10/2003

Common Parts

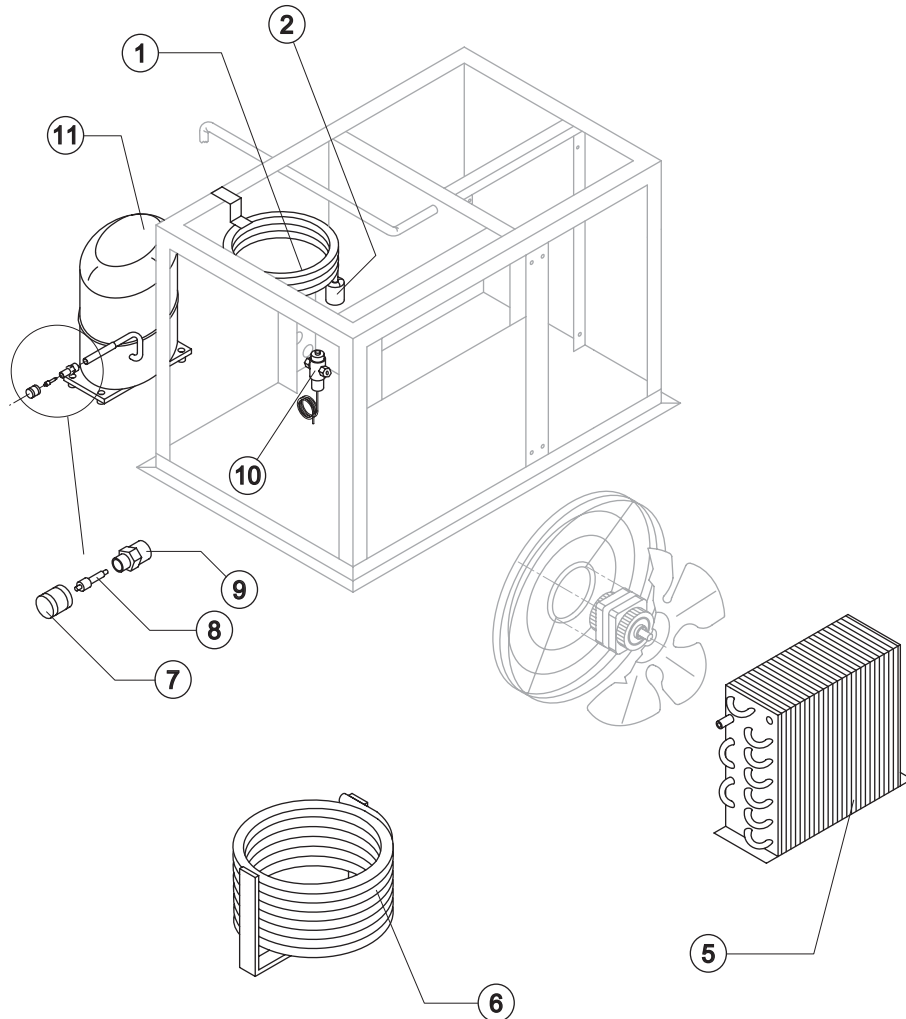
Ref.	Spare Description	Code
1	Top Assembly	C22449
2	Right Side	22445
3	Front Panel Assy (Evaporator Side)	C22448B
7	Left Side	22444
8	Back Panel	22450

Parts for Water-Cooled Version Only

Ref.	Spare Description	Code
4	Front Panel	22599

Parts for Air/Water-Cooled Version Only

Ref.	Spare Description	Code
5	Frontal Template	22446
6	Electrical Box Cover Panel	22486



Common Parts

Ref.	Spare Description	Code
2	Solid Core Drier	14255
7	Vacuum-Charge Valve Plug	14006
8	Vacuum-Charge Valve Device	14005
9	Vacuum-Charge Valve Body	14007
10	Pressure Valve	20149
11	Compressor	See Table -

Parts for Water-Cooled Version Only

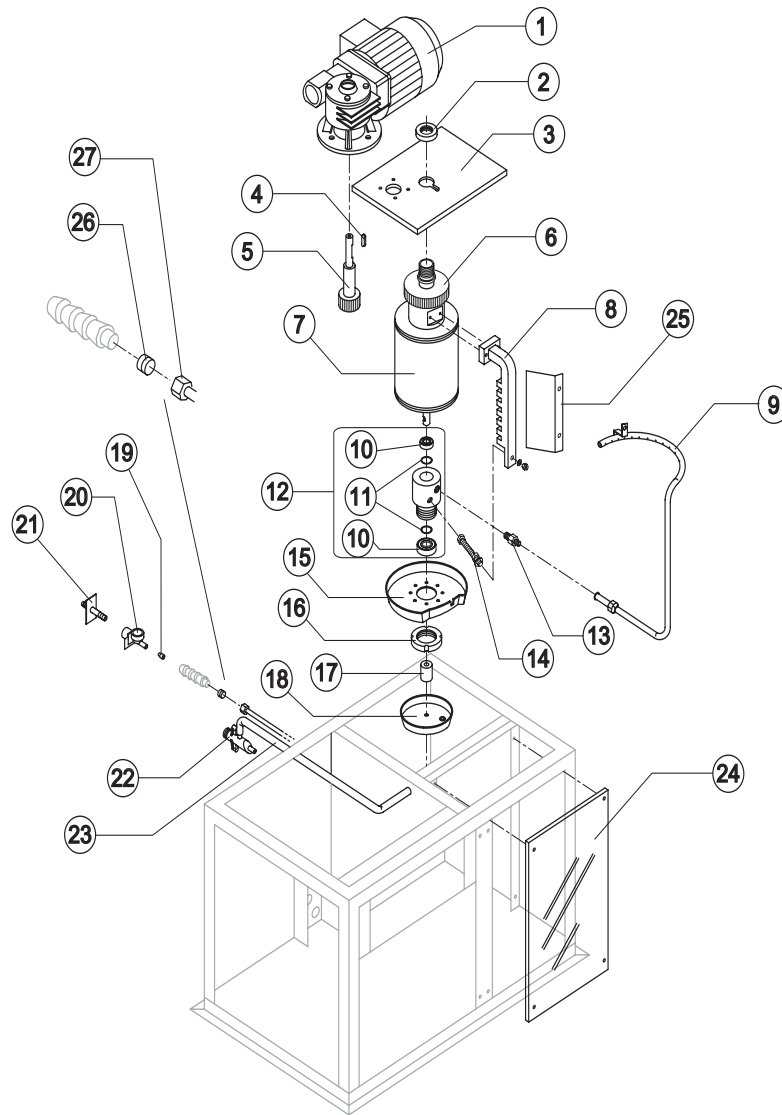
Ref.	Spare Description	Code
6	Water Condenser	14285

Parts for Air/Water-Cooled Version Only

Ref.	Spare Description	Code
1	Water Condenser	14034
5	Air Condenser	20396

Ref. 11- Compressor

Tension	Code
230V 3 50 Hz	23517
400V 3N 50 Hz	Current Version 23648
400V 3N 50 Hz	Till s/n.174236 23518
220-230V 3 60 Hz	23517
440-460V 3N 60 Hz	Current Version 23648
440-460V 3N 60 Hz	Till s/n. 174236 23518



Common Parts

Ref.	Spare Description	Code
1	Motor with Reduction Gear Assy	See Table
2	Cylinder Ring Nut	20365
3	Evaporator Support Plate	20372
4	Key 6x6x40	20350
5	Pinion with Shaft for Gearmotor	20344
6	Crown Gear	20363
7	Evaporator	See Note C11063
8	Knife	E20358
9	Spray Ring	C20357
10	Innox Bearing	20045
11	Silicone OR 4081 Ring	20338
12	Complete Rotary Ring	C10193
13	Joint	20367
14	M10 Tie Rod (to Block Knife)	20369
15	Rotary Basin	10191
16	Ring Nut for Rotary Ring	10194
17	Spacer	20366
18	Fixed Basin	C10192
20	1 Way Inlet water Nipple	10239
23	Overflow Pipe	13088
24	Screen Evaporator Chamber	10196
25	Baffle Plate	10420
26	Bush	20405
27	Nut	20404

Parts for Water-Cooled Version Only

Ref.	Spare Description	Code
21	Rubber Holder with Plate	C20462
22	Discharges Manifold	C10052

Parts for Air/Water-Cooled Version Only

Ref.	Spare Description	Code
19	Flow Control It. 2,0 for Inlet Water Connector	10077
22	Discharges Manifold	C10053

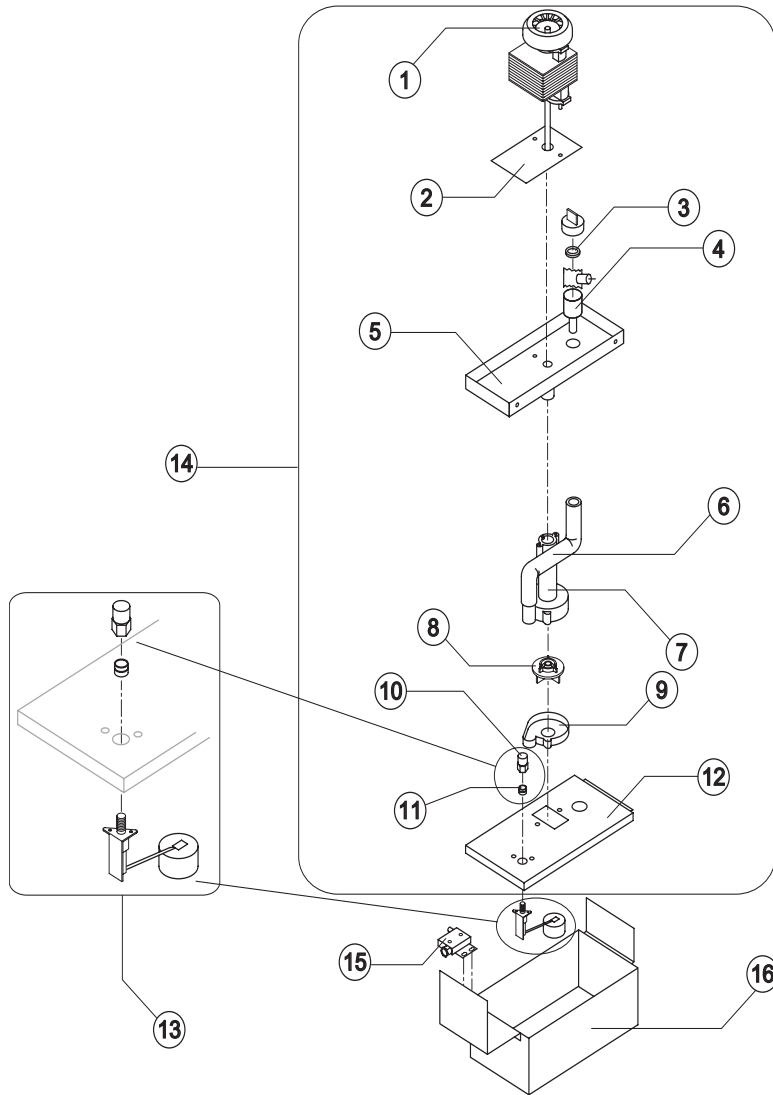
Ref. 1 - Motor with Reduction Gear Assy

Tension	Code
230V 3 50 Hz e 400V 3N 50 Hz	C23412
220-230V 3 60 Hz e 440-460V 3N 60 Hz	C23389

Rev. 4 - 20/10/2003



Ref. 7 - Evaporator (Cod. C11063) includes also the ref. 2 - 8 - 10 - 11 - 14 - 16 - 17



Common Parts

Ref.	Spare Description	Code
1	Pump Motor	See Table
2	Heat Dissipator	22430
3	Pump Filter Gasket	13080
4	Filtering Element	20254
5	Pump Motor Holder	10161
6	Pump-Filter Fitting Pipe	13084
7	Pump Body	10065
8	Pump Impeller	10138
9	Diffuser	10067
10	Nut	20404
11	Bush	20405
12	Water Pump Basin Cover	22420
13	Floating Valve Assy	C10188
14	Pump and Filter Assy	See Table
15	Microswitch for Overflow Ice	23373
16	Water Pump Basin	C22443

Ref. 1 - Pump Motor

Tension	Code
230V 3 50 Hz	23073
400V 3N 50 Hz	23073
220-230V 3 60 Hz	23187
440-460V 3N 60 Hz	23187

Ref. 14 - Pump and Filter Assy

Tension	Code
230V 3 50 Hz	C26557
400V 3N 50 Hz	C26557
220-230V 3 60 Hz	C26712
440-460V 3N 60 Hz	C26712



Common Parts

Ref.	Spare Description	Code
1	Relay	23190
2	Anti Radio Interference Filter	230V 3 50 Hz e 400V 3N 50 Hz 23458
3	Contactur	23398
4	Phases-Sequence Sensor of the Compressor	23649
5	Safety Pressure Switch (Maximum Pressure)	23342
7	Safety Thermostat	23447
8	Bin Thermostat	23421

Parts for Air/Water-Cooled Version Only

Ref.	Spare Description	Code
6	Condenser Pressure Switch	23175
9	Anti Radio Interference Filter	230V 3 50 Hz e 400V 3N 50 Hz 23459
10	Fan Motor	See Table -
11	Fan Motor Grid	See Table -
12	Condenser 5 μ f	23469

Ref. 10 - Fan Motor

Tension	Code
230V 3 50 Hz	23468
400V 3N 50 Hz	23468
220-230V 3 60 Hz	23467
440-460V 3N 60 Hz	23467

Ref. 11 - Fan Motor Grid

Tension	Code
230V 3 50 Hz	12053
400V 3N 50 Hz	12053
220-230V 3 60 Hz	12052
440-460V 3N 60 Hz	12052

Rev. 4 - 20/10/2003

