



## Kühlung Büffet-Element

Artikel-Nr. 651033 (9BESS4FIFCA04 / ES-GREEN 4C+RIPINFC4)

---

### Explosionszeichnung / Ersatzteile

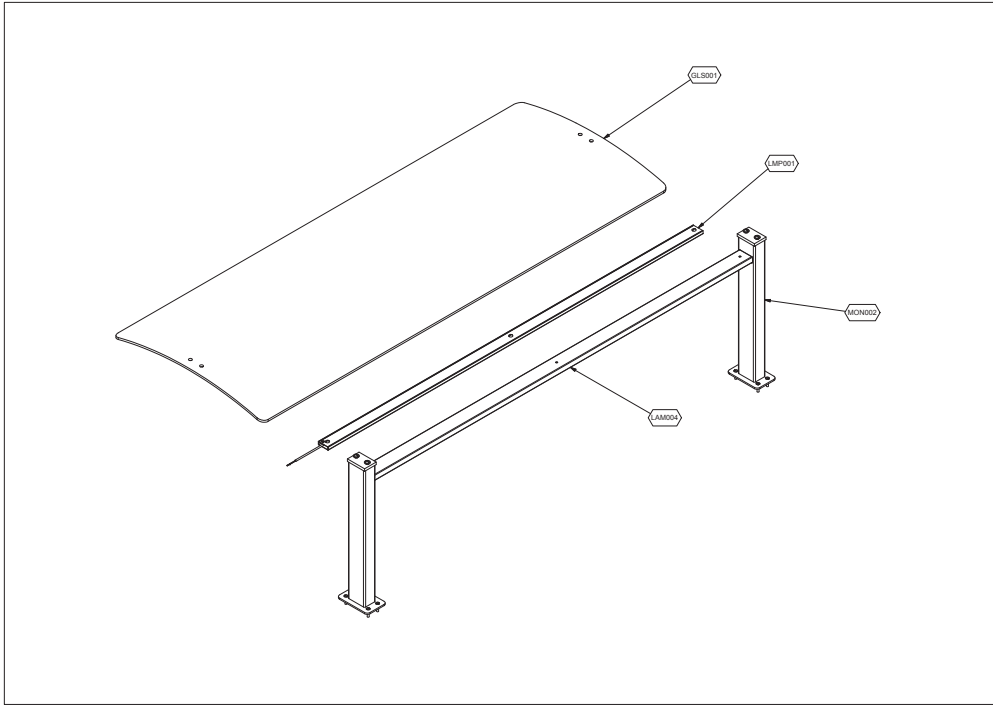
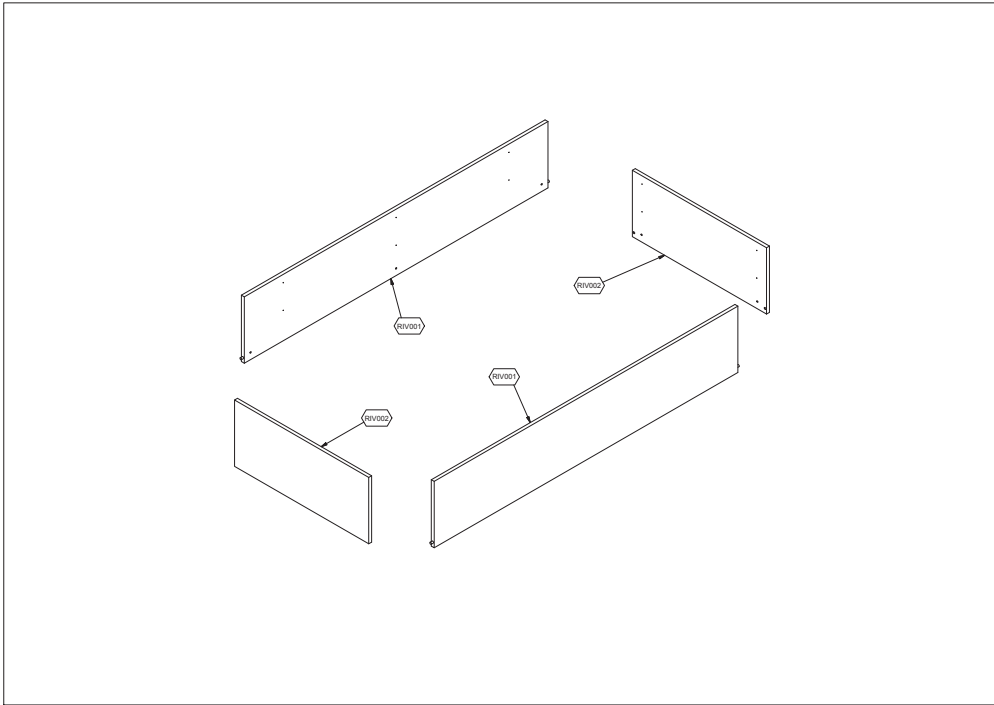
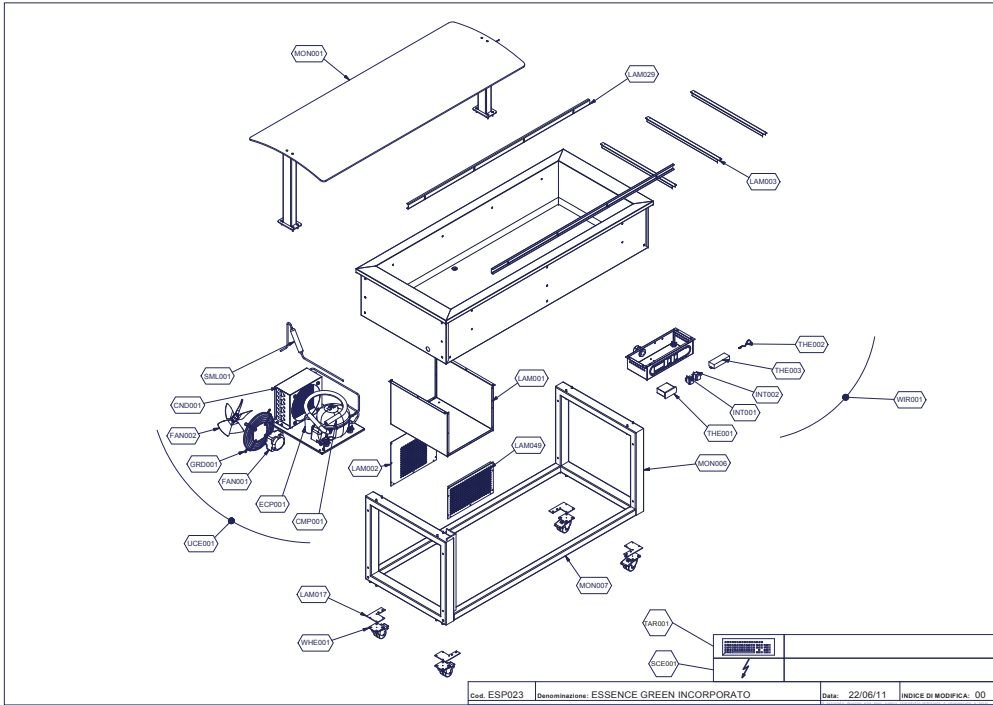
---

Bitte bei Ersatzteilbestellung immer Artikelnummer und Seriennummer mit angeben!



| Code           | Description                       | Notes |
|----------------|-----------------------------------|-------|
| 9BESS4FIFCA04E | EXPLODED VIEW 1                   |       |
| 9BESS4FIFCA04E | EXPLODED VIEW 2                   |       |
| 9BESS4FIFCA04E | EXPLODED VIEW 3                   |       |
| 74865722       | COMPRESSOR                        |       |
| 74837032       | CONDENSER                         | 5     |
| 74867008       | COMPRESSOR ELECTRICAL PARTS       | 2     |
| 74848101       | FAN                               | 2     |
| 74848156       | FAN BLADE                         | 2     |
| 72539094       | SUPERSTRUCTURE TOP GLASS          |       |
| 74845144       | FAN GRID                          |       |
| 74742008       | MAIN ON/OFF SWITCH                | 2     |
| 74742017       | LIGHT ON/OFF SWITCH               | 2     |
| 72539510       | CONDENSING UNIT SUPPORT           |       |
| 72539512       | CONDENSING UNIT GRID              |       |
| 72556044       | PAN SUPPORT                       |       |
| 72539084       | LED LIGHTING COVERING             |       |
| 72539674       | FRAME FIXING KIT                  |       |
| 72539484       | PANS SUPPORTS                     |       |
| 72539514       | PROTECTION GRID                   |       |
| 72539044       | LED LIGHTING                      |       |
| 73669604       | SUPERSTRUCTURE                    |       |
| 72539070       | SUPERSTRUCTURE SIDE SUPPORT       |       |
| 72539680       | SIDE FRAME                        |       |
| 72539694       | FRONT BOTTOM FRAME                |       |
| 72546354       | FOOD ISLAND TOP LONGER SIDE PANEL |       |
| 72546304       | FOOD ISLAND TOP SIDE PANEL        |       |
| SC850          | ELECTRICAL WIRING                 |       |
| 73670236       | DRIER FILTER                      | 2     |
| RIF.TAR.B01    | CONTROLLER PRESETTING SERVICE     | 1     |
| 74700881       | UNSETTED ELECTRONIC CONTROLLER    | 1     |
| 74700916       | PROBE                             | 1     |
| 74700892       | LED POWER PACK                    | 1     |
| 74861322       | FULL CONDENSING UNIT              |       |
| 74708007       | CASTOR/FEET                       |       |

**9BESS4FIFCA04-ESSENCE GREEN W/CONDENSING UNIT**



| <b>Code</b> | <b>Description</b> |
|-------------|--------------------|
| 73669900    | POWER BOX          |

**Notes**

---

**9BESS4FIFCA04-ESSENCE GREEN W/CONDENSING UNIT**