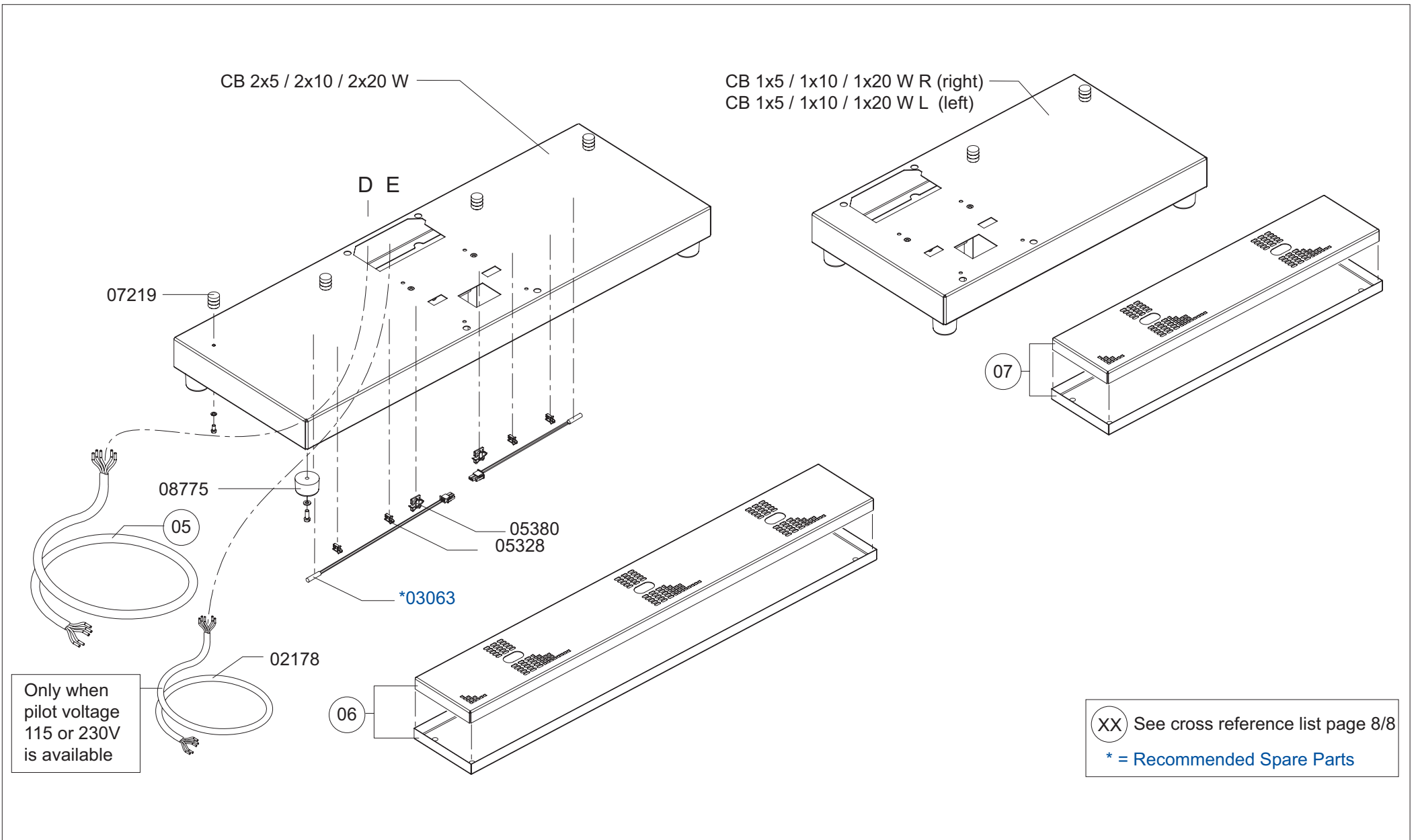
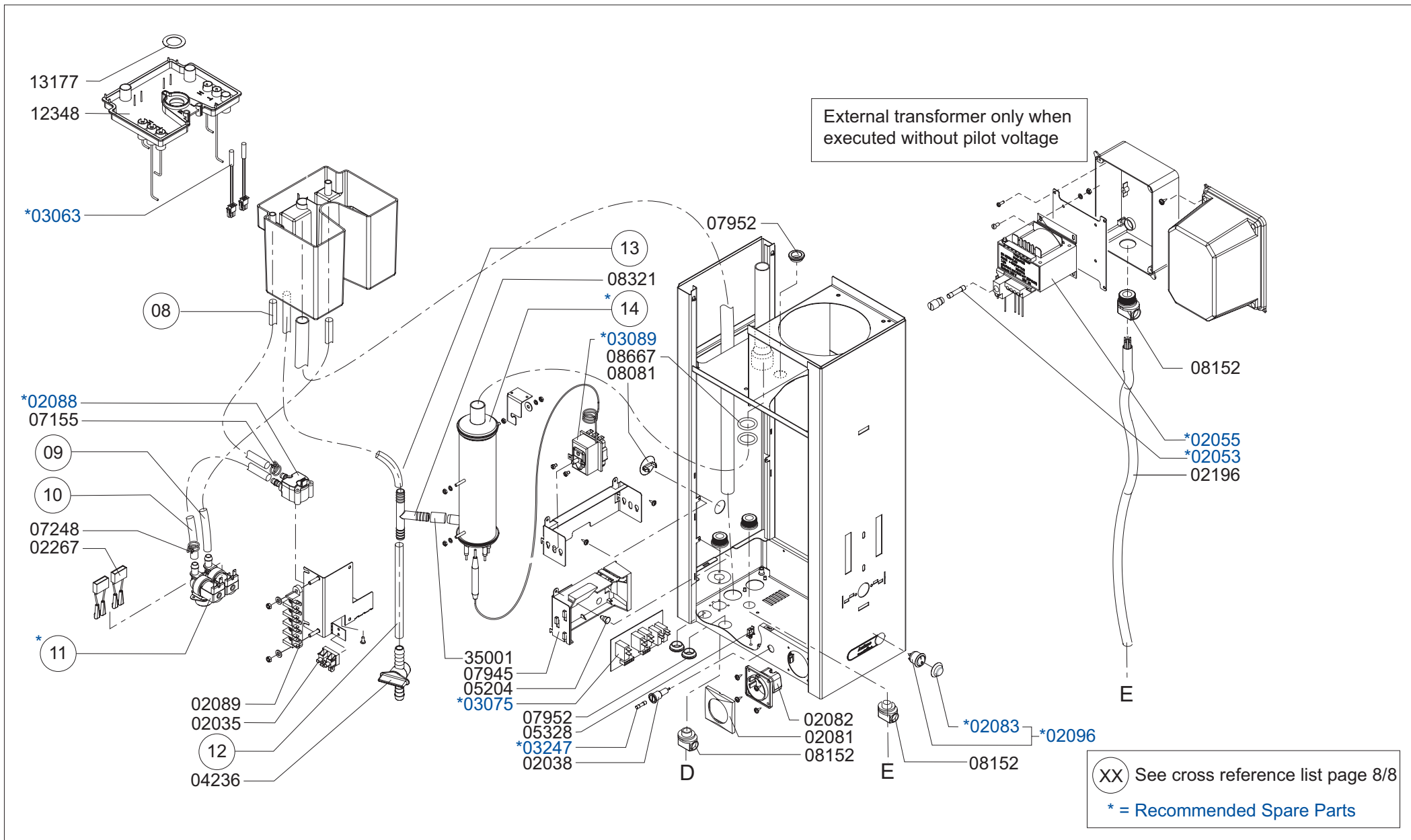


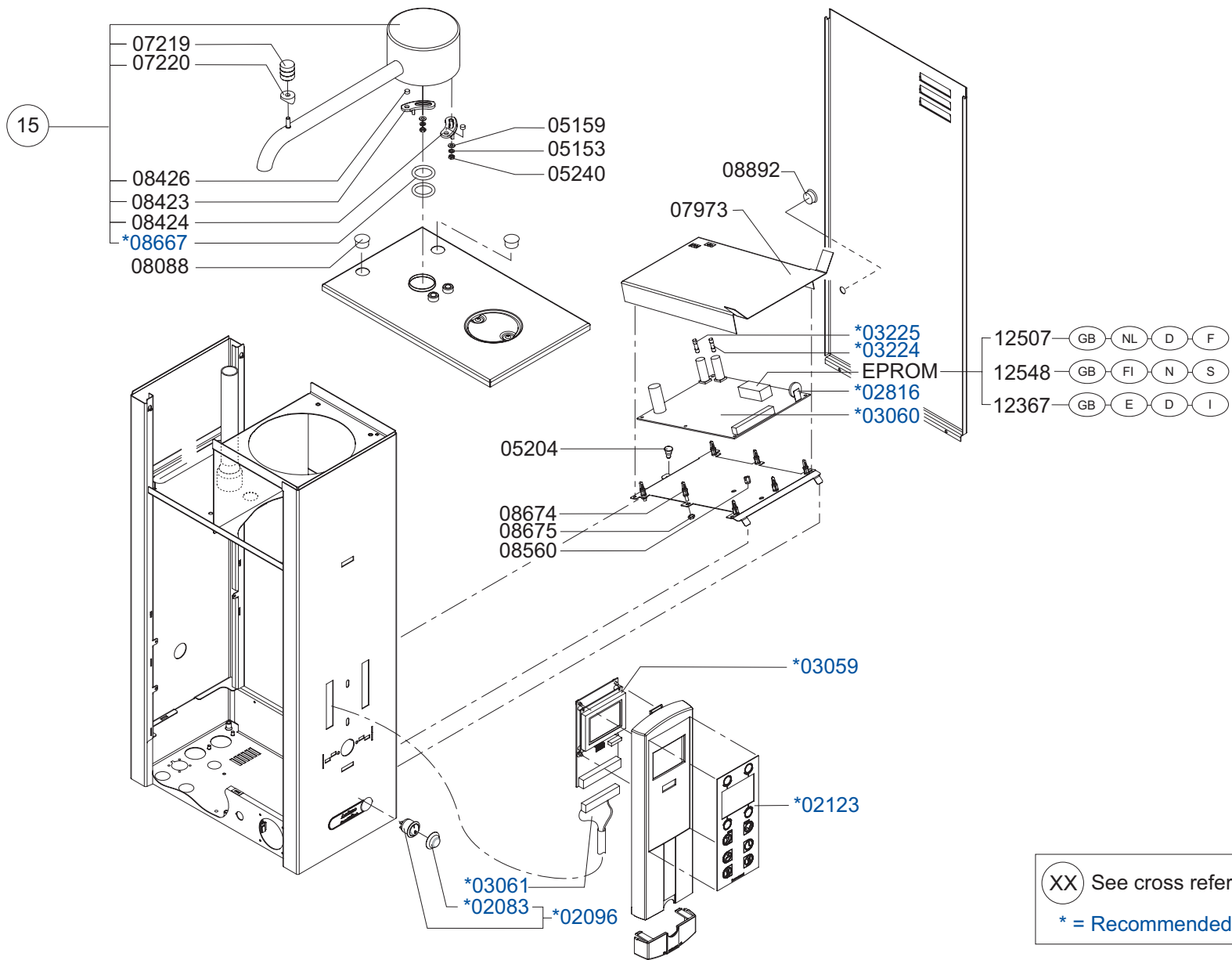
Type : CB 2x5 / 2x10 / 2x20 W MARITIME	From mach. nr. : 10 0001	Page : 1-8	Drawer : MT
Electrical ref. code : 99921 99930	Date : 01-05	Rev. : 0	Date : 07-02-2005
Rated voltage : See cross reference list (page 8/8)	Spare Parts Info	***** Animo ***** Assen - Holland	



Type : CB 2x5 / 2x10 / 2x20 W MARITIME	From mach. nr. : 10 0001	Page : 2-8	Drawer : MT
Electrical ref. code : 99921 99930	Date : 01-05	Rev. : 0	Date : 07-02-2005
Rated voltage : See cross reference list (page 8/8)	Spare Parts Info	***** Animo ***** Assen - Holland	



Type : CB 2x5 / 2x10 / 2x20 W	From mach. nr. : 10 0001	Page : 3-8	Drawer : MT
Electrical ref. code : 99921 99930	Date : 01-05	Rev. : 0	Date : 07-02-2005
Rated voltage : See cross reference list (page 8/8)	Spare Parts Info	***** Animo ***** Assen - Holland	



Type : CB 2x5 / 2x10 / 2x20 W **MARITIME**
 Electrical ref. code : 99921 99930

From mach. nr. : 10 0001
 Date : 01-05

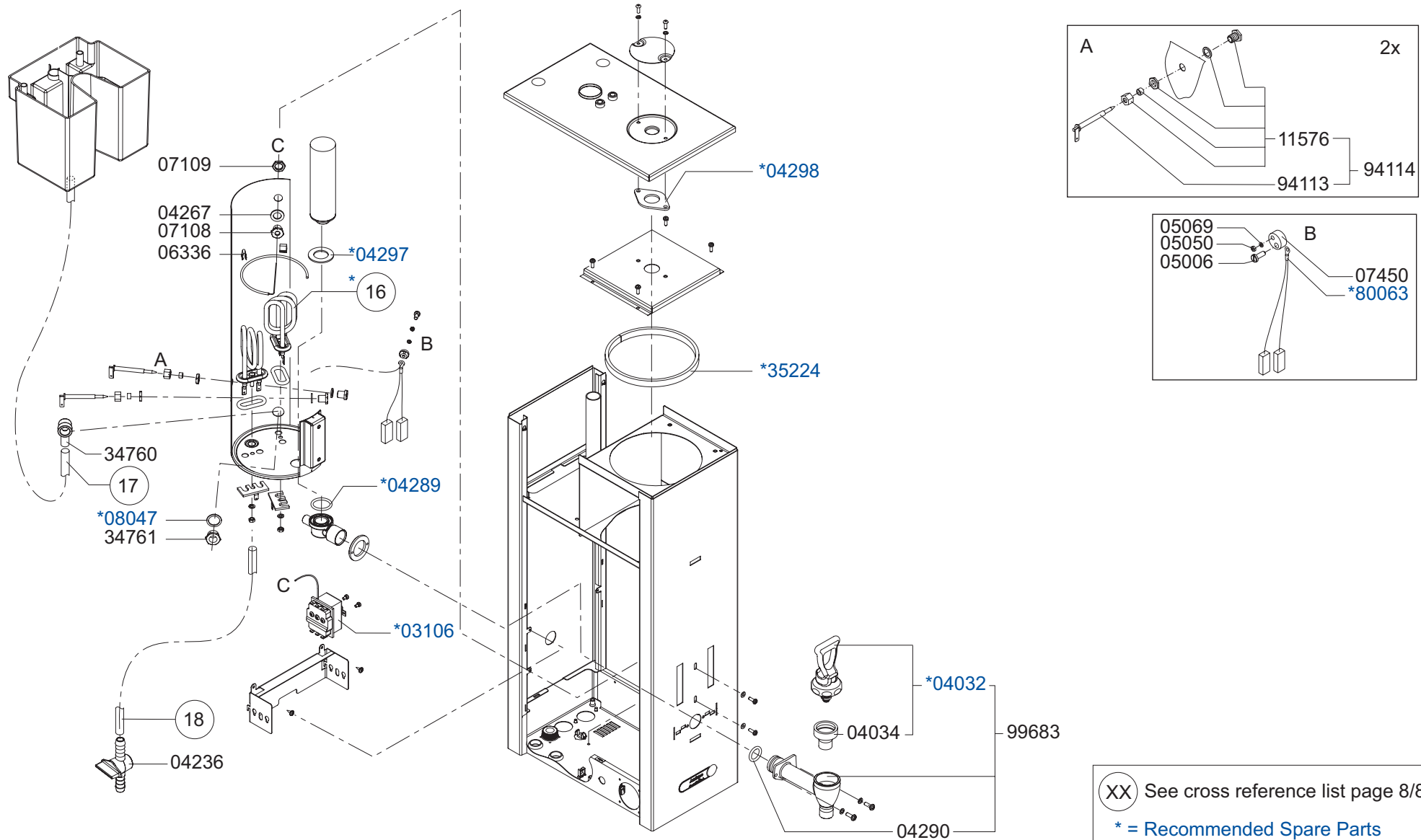
Page : 4-8
 Rev. : 0

Drawer : MT
 Date : 07-02-2005

Rated voltage : See cross reference list (page 8/8)

Spare Parts Info

***** **Animo** *****
Assen - Holland



XX See cross reference list page 8/8
 * = Recommended Spare Parts

Type : CB 2x5 / 2x10 / 2x20 W **MARITIME**
 Electrical ref. code : 99921 99930

From mach. nr. : 10 0001
 Date : 01-05

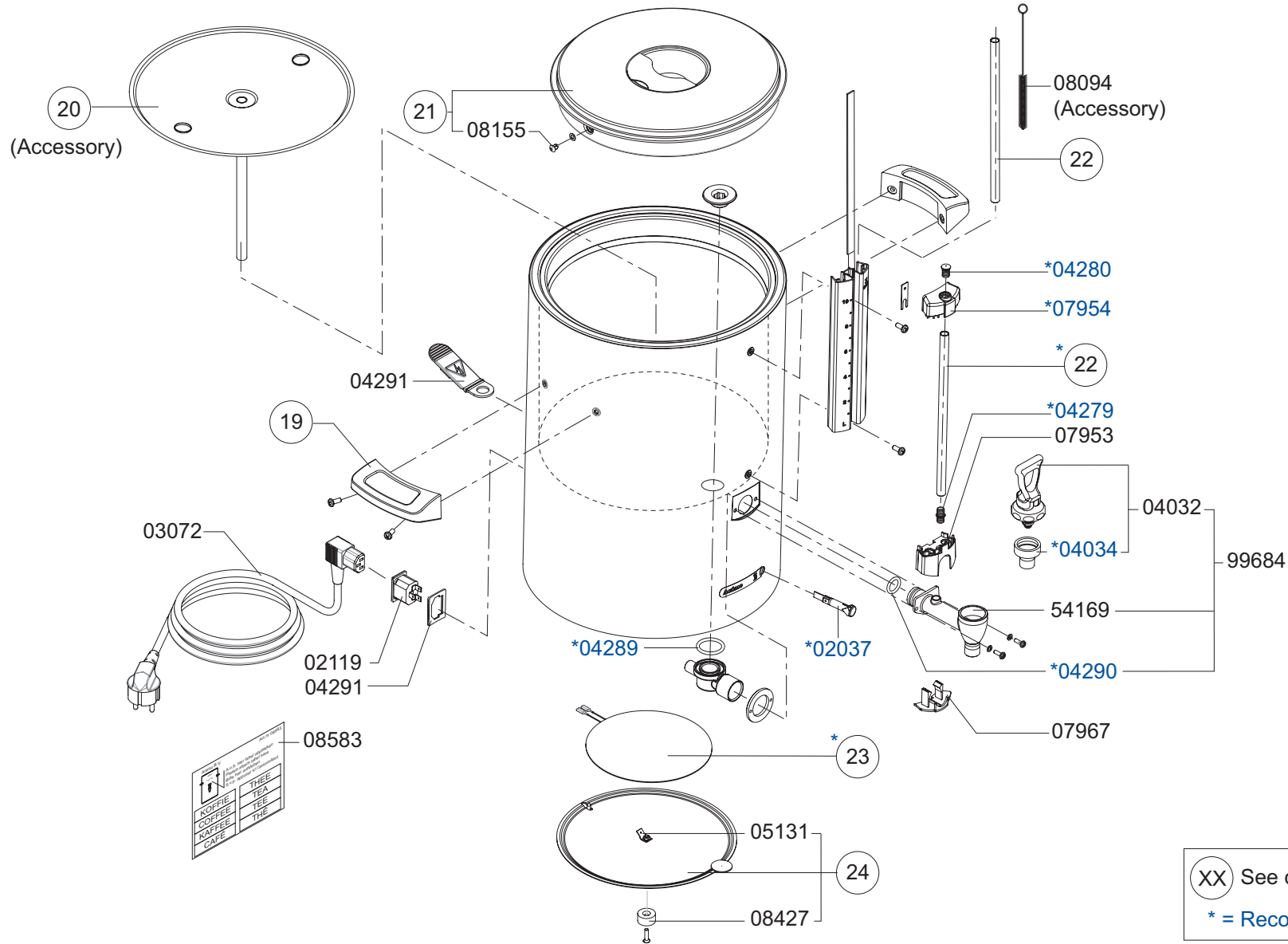
Page : 5-8
 Rev. : 0

Drawer: MT
 Date : 07-02-2005

Rated voltage : See cross reference list (page 8/8)

Spare Parts Info

***** **Animo** *****
Assen - Holland



XX See cross reference list page 8/8
 * = Recommended Spare Parts

Type : CB 2x5 / 2x10 / 2x20 W **MARITIME**
 Electrical ref. code : 99921 99930

From mach. nr. : 10 0001
 Date : 01-05

Page : 6-8
 Rev. : 0

Drawer : MT
 Date : 07-02-2005

Rated voltage : See cross reference list (page 8/8)

Spare Parts Info

***** **Animo** *****
Assen - Holland