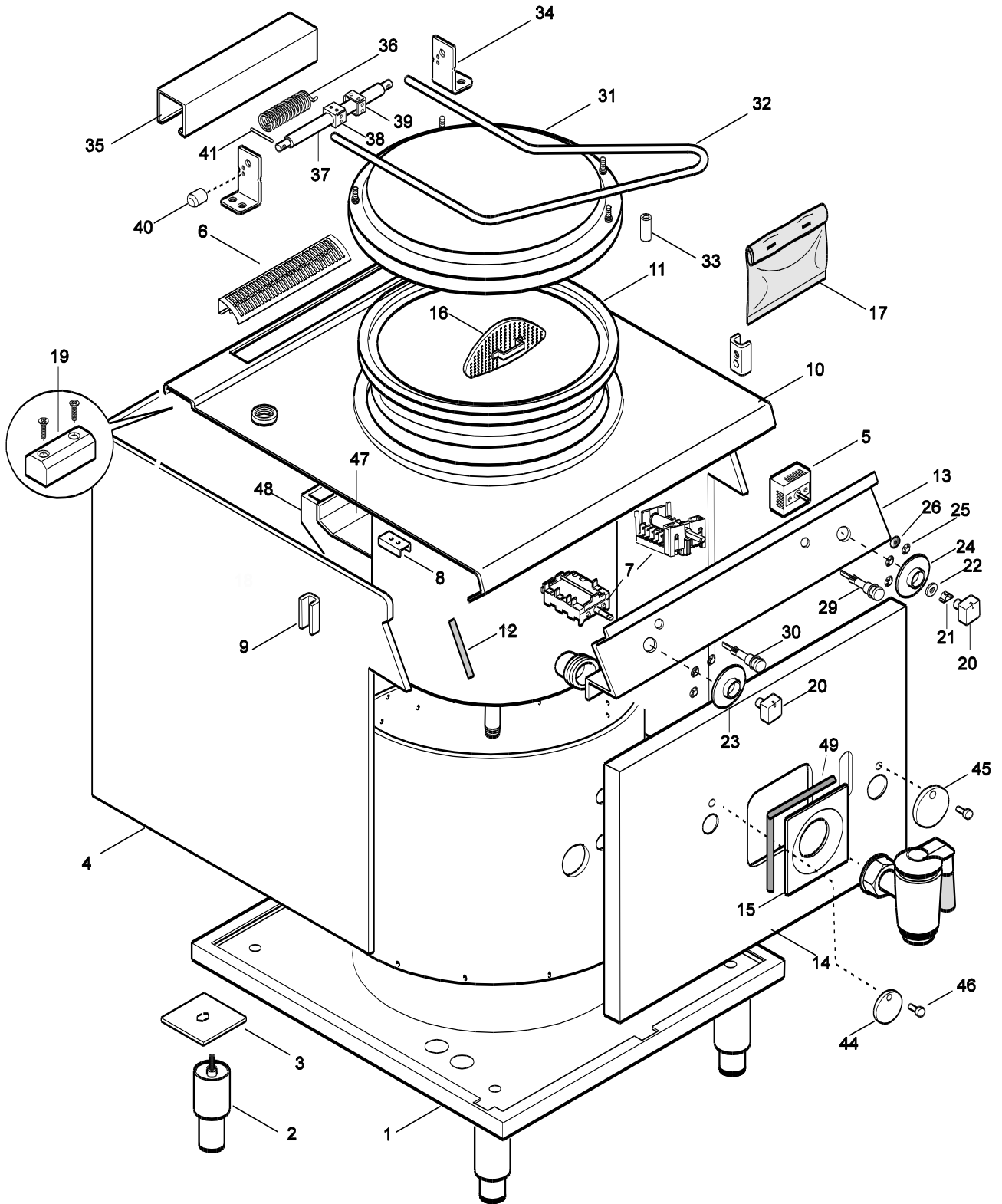


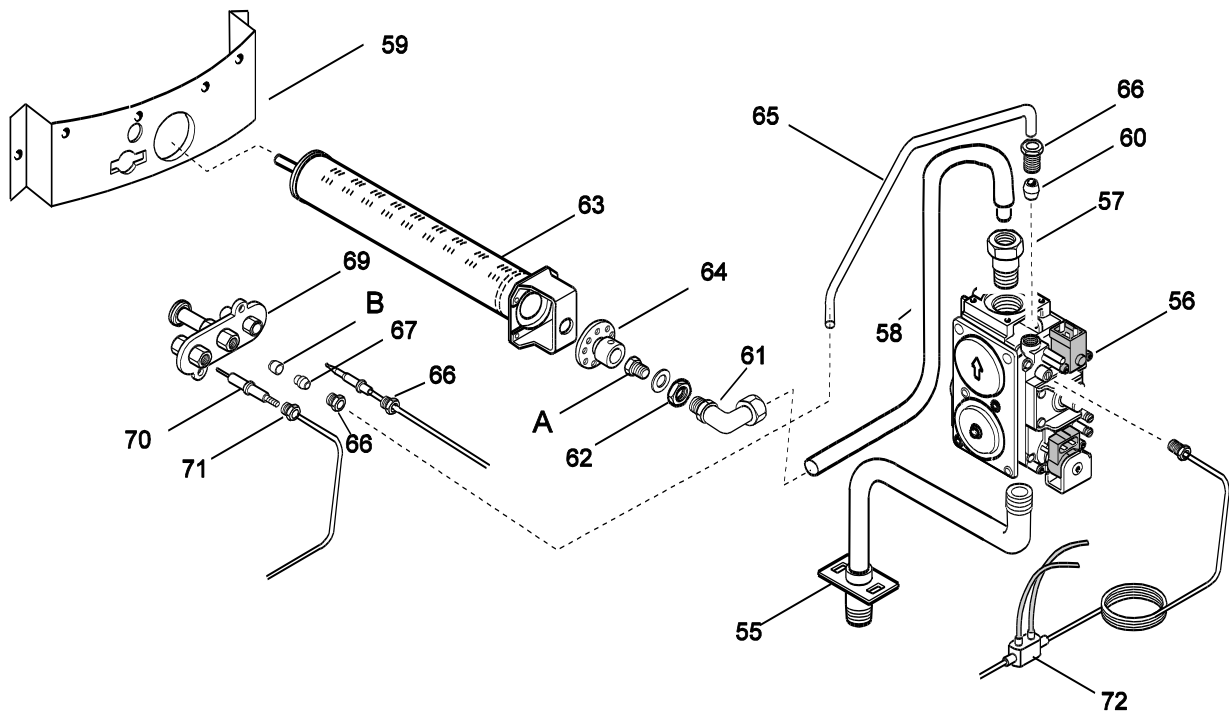
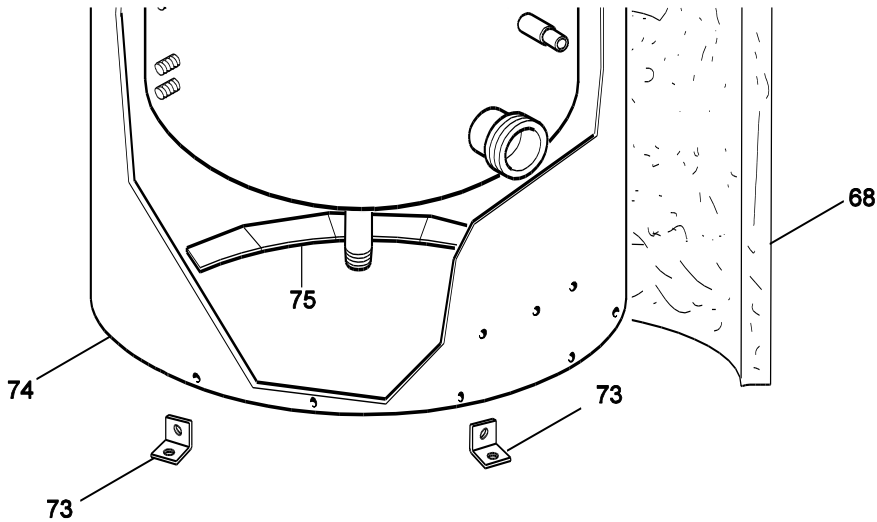
**PENTOLE GAS-ELETTRICHE INDIRETTE 60lt E700XP**  
**GAS-ELECTRIC BOILING PAN INDIRECT HEATING 60lt E700XP**

| <b>PNC</b> | <b>Model</b> | <b>Ref</b> | <b>Pag.</b> | <b>Brand</b> | <b>Version</b> | <b>Notes</b>      |
|------------|--------------|------------|-------------|--------------|----------------|-------------------|
| 371087     | E7BSGHINF0   | a          | 2-6         | ELX          | GAS            | 60 LT             |
| 371088     | E7BSGHINFR   | b          | 2-6         | ELX          | GAS            | 60 LT AUTO.REFILL |
| 371094     | E7BSEHINF0   | c          | 2-6         | ELX          | EL             | 60 LT             |
| 371095     | E7BSEHINFR   | d          | 2-6         | ELX          | EL             | 60 LT AUTO.REFILL |
| 372087     | Z7BSGHINF0   | e          | 2-6         | ZAN          | GAS            | 60 LT             |
| 372088     | Z7BSGHINFR   | f          | 2-6         | ZAN          | GAS            | 60 LT AUTO.REFILL |
| 372094     | Z7BSEHINF0   | g          | 2-6         | ZAN          | EL             | 60 LT             |
| 372095     | Z7BSEHINFR   | h          | 2-6         | ZAN          | EL             | 60 LT AUTO.REFILL |
| 373087     | A7BSGHINF0   | i          | 2-6         | OEM          | GAS            | 60 LT             |
| 373094     | A7BSEHINF0   | l          | 2-6         | OEM          | EL             | 60 LT             |

| <b>Pag</b> | <b>Index</b>           | <b>Indice</b>            | <b>Note</b>        |
|------------|------------------------|--------------------------|--------------------|
| 2,4        | Components             | Componenti               | New 0CA058 pos.106 |
| 3          | Gas components         | Componenti Gas           |                    |
| 5          | Electric components    | Componenti Elettrici     |                    |
| 6          | Auto refill components | Componenti caric. autom. |                    |
| 7,8,9      | Spare parts list       | Lista ricambi            |                    |

Brand/Marchio: All  
Factory code: 9PDX



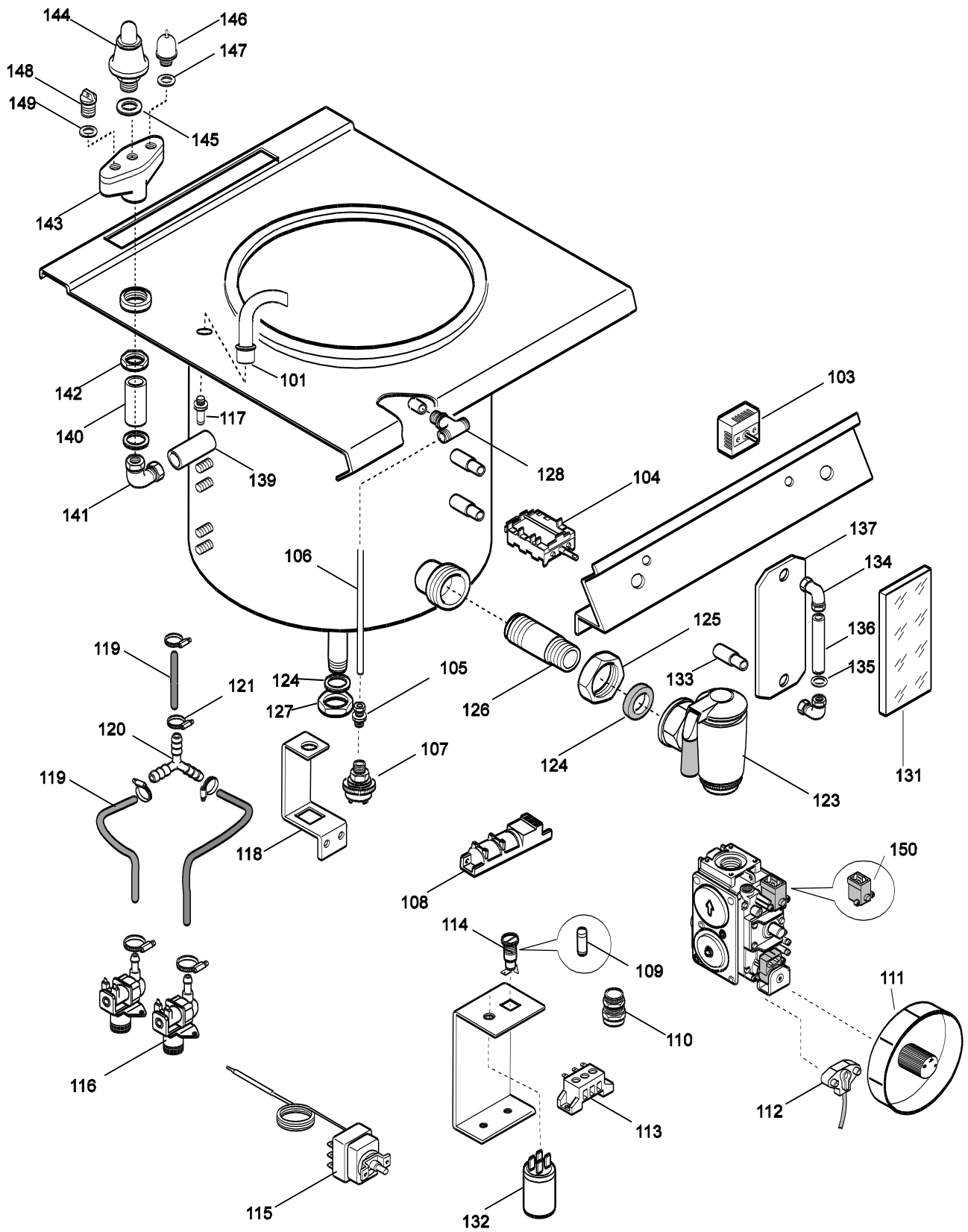


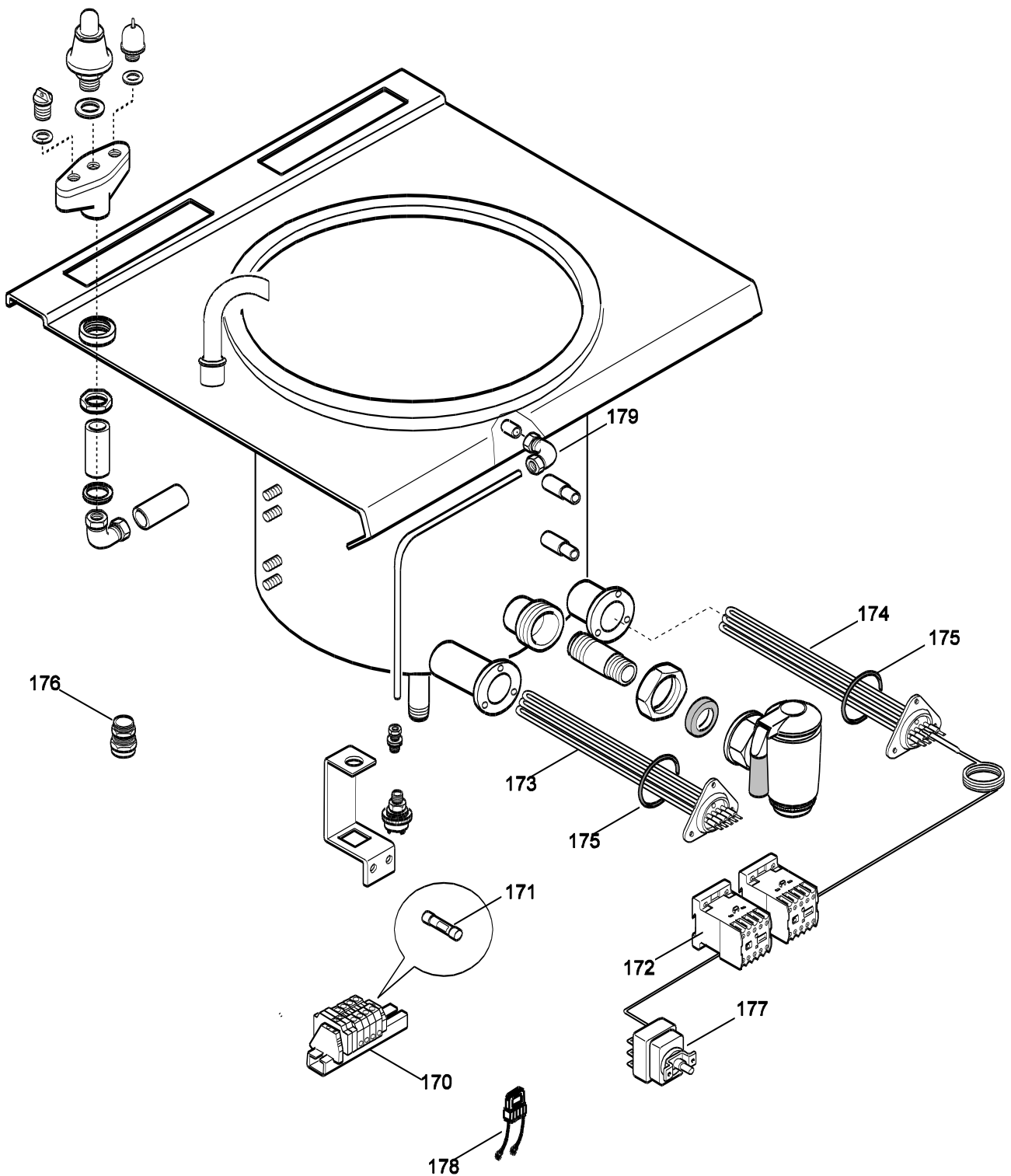
### A - Ugello bruciatore / Burner nozzle

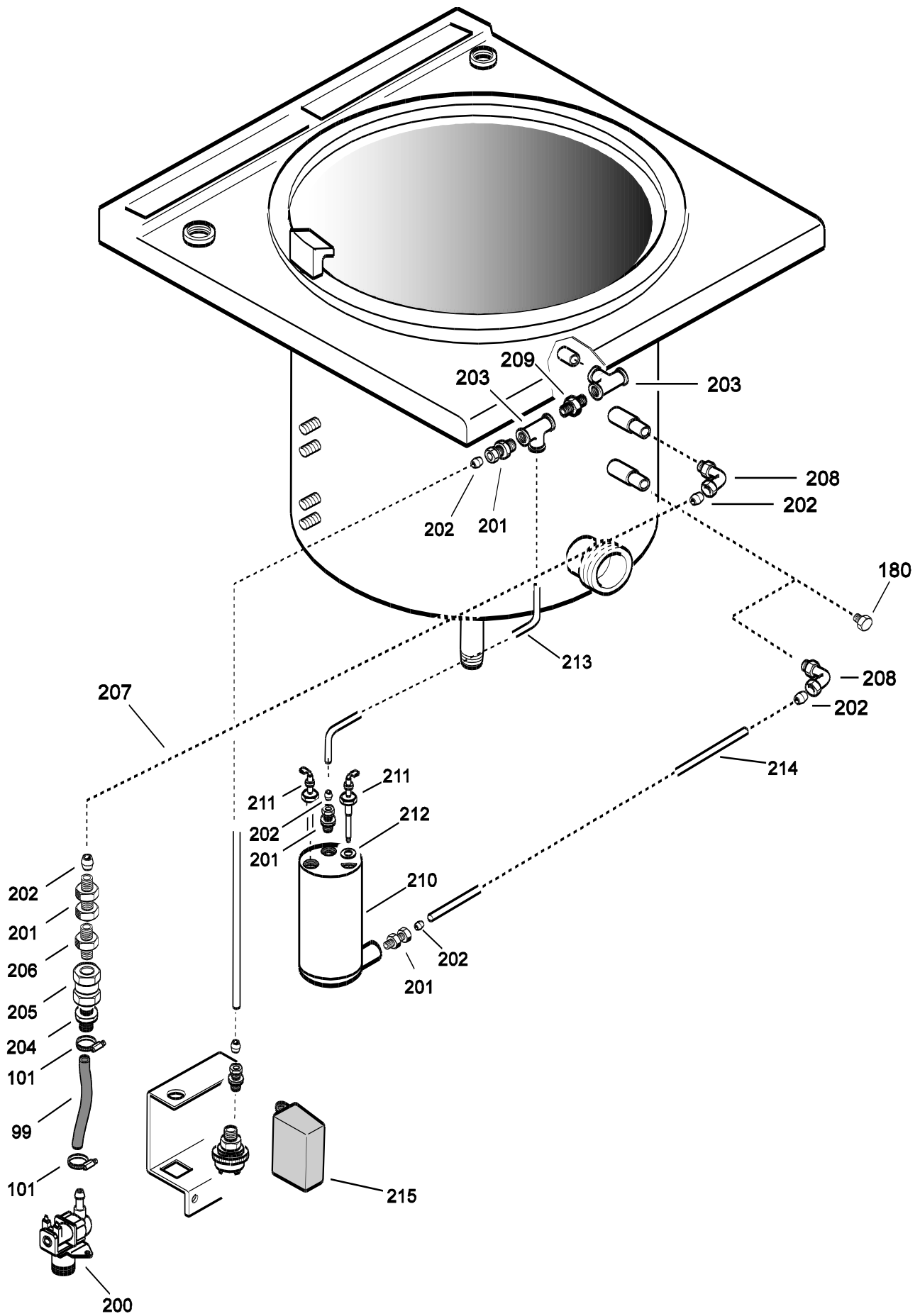
| 6DGT Code | Ref. / Notes |        |              |
|-----------|--------------|--------|--------------|
| 0C0551    | ø2.85        | 2H/2E+ | G20 20mbar   |
| 0C0747    | ø2.70        | 2H     | G20 25mbar   |
| 054632    | ø3.10        | 2ELL   | G25 20mbar   |
| 004856    | ø2.95        | 2L     | G25 25mbar   |
| 004856    | ø2.95        | 2S     | G25.1 25mbar |
| 0C0509    | ø1.85        | 3+3B/P | G30 30mbar   |
| 003723    | ø1.75        | 3B/P   | G30 36mbar   |
| 054127    | ø1.65        | 3B/P   | G30 50mbar   |
| 055388    | ø3.30        | No CE  | G20 10mbar   |
| 0C3079    | ø6.25        | No CE  | G110 8mbar   |

### B - Ugello pilota / Pilot nozzle

| 6DGT Code | Ref. / Notes |        |              |
|-----------|--------------|--------|--------------|
| 053670    | n°41         | 2H/2E+ | G20 20mbar   |
| 053670    | n°41         | 2H     | G20 25mbar   |
| 053670    | n°41         | 2ELL   | G25 20mbar   |
| 053670    | n°41         | 2L     | G25 25mbar   |
| 053670    | n°41         | 2S     | G25.1 25mbar |
| 053667    | n°30         | 3+3B/P | G30 30mbar   |
| 053667    | n°30         | 3B/P   | G30 36mbar   |
| 053667    | n°30         | 3B/P   | G30 50mbar   |
| 053667    | n°30         | No CE  | G20 10mbar   |
| 053669    | n°75         | No CE  | G110 8mbar   |







**PENTOLE GAS INDIRETTE 60Lt E700XP**  
**GAS BOILING PAN INDIRECT HEATING 60Lt E700XP**

| <i>Pos</i> | <i>Factory Code</i> | <i>Spare Code</i> | <i>Descrizione</i>             | <i>Description</i>          | <i>Ref./Note</i>     |
|------------|---------------------|-------------------|--------------------------------|-----------------------------|----------------------|
| 1          | 050489KH00          | *                 | FONDO PENTOLA GAS 60Lt         | BOTTOM PANEL BOIL.PAN 60Lt  | GAS                  |
| 1          | 050489KJ00          | *                 | FONDO PENTOLA ELE 60Lt         | BOTTOM PANEL BOIL.PAN 60Lt  | EL                   |
| 2          | 0835856900          | 0C0204            | PIEDE                          | FOOT                        |                      |
| 3          | 050589CD00          | *                 | PIASTRA DI RINFORZO PER PIEDI  | PLATE FOR FOOT              |                      |
| 4          | 085089FF00          | *                 | RIVESTIMENTO LATERALE          | EXTERNAL PANEL              | ELX                  |
| 4          | 085089FJ00          | *                 | RIVESTIMENTO LATERALE          | EXTERNAL PANEL              | ZAN, OEM             |
| 5          | 0699802200          | 0C1605            | REGOLATORE DI ENERGIA          | ENERGY REGULATOR            |                      |
| 6          | 050389LM00          | 0C7705            | GRIGLIA CAMINO                 | GRID FOR CHIMNEY            |                      |
| <b>7</b>   | <b>0641802400</b>   | <b>059544</b>     | <b>COMMUTATORE 4 POSIZIONI</b> | <b>SWITCH 4 POSITION</b>    | <b>Up to 5231...</b> |
| <b>7</b>   | <b>0641805401</b>   | <b>0C9180</b>     | <b>COMMUTATORE 4 POSIZIONI</b> | <b>SWITCH 4 POSITION</b>    | <b>From 5241...</b>  |
| 8          | *                   | *                 | SQUADRETTA FISSAGGIO RECIP.    | BRACKET, CONTAINER FIXING   |                      |
| 9          | 0527850500          | 0C0156            | PIASTRA FISSAGGIO FIANCHI      | SIDE PANEL JOINTING PLATE   |                      |
| 10         | 087089CQ00          | 0C7706            | RIPIANO PENTOLA DIRETTA 60Lt.  | SHELF, IND.BOLING PAN 60Lt  | ELX                  |
| 10         | 087089KU00          | 0C7709            | RIPIANO PENTOLA DIRETTA 60Lt.  | SHELF, IND.BOLING PAN 60Lt  | ZAN, OEM             |
| 11         | 0873858600          | 0C2640            | VASCA PENTOLA                  | TANK                        |                      |
| 12         | 0543821900          | 0C2496            | GUARNIZIONE PER CRUSCOTTO      | GASKET, CONTROL PANEL       |                      |
| 13         | 085089DM00          | 0C7537            | CRUSCOTTO                      | CONTROL PANEL               | ELX                  |
| 13         | 087089GV00          | 0C7558            | CRUSCOTTO                      | CONTROL PANEL               | ZAN                  |
| 13         | 050389TS00          | 0C8058            | CRUSCOTTO                      | CONTROL PANEL               | OEM                  |
| 14         | 050389Y800          | 0C7812            | PANNELLO FRONTALE 60 L         | FRONT PANEL BOIL.PAN 60Lt   | AS                   |
| 14         | 050389Y900          | 0C7813            | PANNELLO FRONTALE 60 L         | FRONT PANEL BOIL.PAN 60Lt   | EL                   |
| 14         | 050389YA00          | 0C7814            | PANNELLO FRONTALE 60 L         | FRONT PANEL BOIL.PAN 60Lt   | GAS - AUTO REFIL     |
| 14         | 050389YB00          | 0C7815            | PANNELLO FRONTALE 60 L         | FRONT PANEL BOIL.PAN 60Lt   | EL - AUTO REFIL      |
| 15         | 0530800800          | 0C1575            | PANNELLINO BOCCHETTONE         | PANEL FOR DRAIN TAP         |                      |
| 16         | 0310122725          | 027114            | GRIGLIA DI SCARICO             | DRAIN GRID                  |                      |
| 17         | 0858800100          | 0C1876            | KIT ANTI-CORROSIONE            | ANTICORROSIVE KIT           |                      |
| 19         | 0516860702          | 0C0137            | PIASTRINA GIUNZIONE            | JOINTING REAR PLATE         |                      |
| 20         | 0511850G01          | 0C6670            | MANOPOLA                       | KNOB                        | ELX                  |
| 20         | 0548877V00          | 0C7345            | ADATTATORE MANOPOLA            | KNOB, ADAPTER               | ELX                  |
| 20         | 0548878201          | 0C7232            | MANOPOLA                       | KNOB                        | ZAN                  |
| 20         | 0548865500          | 0A5621            | MANOPOLA                       | KNOB                        | OEM                  |
| 21         | 0214590701          | 025245            | MOLLETTA PER MANOPOLA          | SPRING, KNOB                |                      |
| 22         | 0543821000          | 053816            | GUARNIZIONE MANOPOLA           | GASKET, KNOB                |                      |
| 23         | 0548877B00          | 0C7526            | GHIERA CARICO ACQUA            | KNOB RING, WATER            | ELX                  |
| 23         | 0548879M00          | 0C7532            | GHIERA CARICO ACQUA            | KNOB RING, WATER            | ZAN, OEM             |
| 24         | 0548877U00          | 0C7527            | GHIERA REGOLATORE ENERGIA      | KNOB RING, ENERGY REGULATOR | ELX                  |
| 24         | 054887A200          | 0C7534            | GHIERA REGOLATORE ENERGIA      | KNOB RING, ENERGY REGULATOR | ZAN, OEM             |
| 25         | 0218912211          | 069567            | MOLLETTA PER GHIERA MANOPOLA   | SPRING, KNOB RING           |                      |
| 26         | 0541813800          | 0C6171            | RONDELLA SILICONE              | SILICONE GASKET             |                      |
| 29         | 0876800002          | 005010            | LAMPADA SPIA VERDE             | GREEN LAMP                  |                      |
| 30         | 0876800201          | 0C0687            | LAMPADA SPIA ROSSA             | RED LAMP                    |                      |
| 31         | 0806806204          | 004843            | COPERCHIO PENTOLA              | LID PAN                     |                      |
| 32         | 0517847707          | 004844            | MANIGLIA PENTOLA               | HANDLE, LID PAN             |                      |
| 33         | 0517847904          | 004845            | DISTANZIALE MANIGLIA           | SPACER FOR HANDLE           |                      |
| 34         | 0806844800          | 0C2982            | SUPPORTO COPERCHIO             | LID SUPPORT                 |                      |
| 35         | 0523815206          | *                 | COPERTURA CERNIERA             | COVERING HINGE              |                      |
| 36         | 0516829901          | 004850            | MOLLA COPERCHIO                | SPRING LID                  |                      |
| 37         | 0516829803          | 004846            | PENO CERNIERA                  | PIN HINGE                   |                      |
| 38         | 0527800401          | 0A5570            | BLOCCO ESTERNO CERNIERA        | HINGE EXTERNAL BLOCK        |                      |
| 39         | 0527800500          | 0A5571            | BLOCCO INTERNO CERNIERA        | HINGE INTERNAL BLOCK        |                      |
| 40         | 0A05664001          | 0A2612            | AGGANCIO                       | HOOK                        |                      |
| 41         | 0A05918800          | 0C5084            | SPINA ELASTICA                 | ELASTIC PIN                 |                      |
| 42         |                     |                   |                                |                             |                      |
| 43         |                     |                   |                                |                             |                      |
| 44         | 0508837201          | 002534            | SPORTELLINO, FORO D'ISPEZIONE  | DOOR, INSPECTION HOLE       |                      |
| 45         | 0527843000          | 0C1563            | SPORTELLINO PER VALVOLA        | DOOR, GAS VALVE             |                      |

**PENTOLE GAS INDIRETTE 60Lt E700XP**  
**GAS BOILING PAN INDIRECT HEATING 60Lt E700XP**

| <i>Pos</i> | <i>Factory Code</i> | <i>Spare Code</i> | <i>Descrizione</i>            | <i>Description</i>          | <i>Ref./Note</i> |
|------------|---------------------|-------------------|-------------------------------|-----------------------------|------------------|
| 46         | 0214473001          | 026187            | PERNO PER SPORTELLINO         | PIN, FIXING DOOR            |                  |
| 47         | 0502899404          | *                 | SUPERIORE CAMINO              | FRONT WALL CHIMNEY          |                  |
| 48         | 0502899504          | *                 | INFERIORE CAMINO              | BACK WALL CHIMNEY           |                  |
| 49         | 0140088006          | 0L0113            | GUARNIZIONE                   | GASKET                      |                  |
| 55         | 0805899H03          | 0C6379            | TUBO ENTRATA GAS              | GAS PIPE                    | GAS              |
| 56         | 0835819901          | 002903            | VALVOLA SIT                   | GAS VALVE SIT               | GAS              |
| 57         | 0830873200          | 002074            | RACCORDO DRITTO               | CONNECTION, OUT VALVE       | GAS              |
| 58         | 0517893501          | 0C8064            | CONDUTTURA VALVOLA-BRUC.      | GAS PIPE VALVE-BURNER       | GAS              |
| 59         | 0502899003          | 0C1624            | PANNELLO ANTERIORE SUPP.BRUC. | FRONT PANEL, BURNER SUPPORT | GAS              |
| 60         | 0515827401          | 053665            | BICONO                        | DOUBLE CONE                 | GAS              |
| 61         | 0511805401          | 059250            | PORTAUGELLO                   | NOZZLE HOLDER               | GAS              |
| 62         | 0214105101          | 020997            | CONTRODADO                    | LOCK NUT, NOZZLE HOLDER     | GAS              |
| 63         | 0830816204          | 004847            | BRUCIATORE                    | BURNER                      | GAS              |
| 64         | 0830828001          | 054039            | AREATORE                      | AREATOR                     | GAS              |
| 65         | 0517893601          | 0C8063            | CONDUTTURA PILOTA             | PILOT PIPE                  | GAS              |
| 66         | 0214164400          | 052125            | RACCORDO                      | CONNECTION                  | GAS              |
| 67         | 0215199700          | 052127            | BICONO SPECIALE               | DOUBLE CONE                 | GAS              |
| 68         | 0560850401          | *                 | PANNELLO ISOLANTE             | INSULATION                  | GAS              |
| 69         | 0A05488001          | 0A2472            | BRUCIATORE PILOTA             | PILOT BURNER                | GAS              |
| 70         | 0330272401          | 052610            | ELETTRODO ACCENSIONE          | ELECTRODE IGNITION          | GAS              |
| 71         | 0214164101          | 057960            | RACCORDO FISS. CANDELA        | NIPPLE, ELECTRODE           | GAS              |
| 72         | 0831818901          | 0C3162            | TERMOCOPPIA INTERRUOTTA       | INTERRUPTED THERMOCOUPLE    | GAS              |
| 73         | 0508818601          | 0C0814            | SQUADRETTA TAMBURNO FONDO     | PLATE FOR FIXING CYLINDER   | GAS              |
| 74         | 0533821801          | *                 | TAMBURNO FUMI                 | CYLINDER, COMBUSTION        | GAS              |
| 75         | 0524898000          | *                 | ANELLO FUMI                   | RING                        | GAS              |
| 101        | 0831840901          | 0C4146            | EROGATORE ACQUA               | WATER DISTRIBUTOR           |                  |
| 102        |                     |                   |                               |                             |                  |
| 103        | 0699802200          | 0C1605            | REGOLATORE ENERGIA            | ENERGY REGULATOR            |                  |
| 104        | 0641802400          | 059544            | COMMUTATORE                   | COMMUTATOR                  |                  |
| 105        | 0515863500          | 0C0888            | RACCORDO PER PRESSOSTATO      | NIPPLE,PRESSURE SWITCH      |                  |
| 106        | 0517893700          | 0CA058            | CONDUTTURA PRESSOSTATO        | PIPE,PRESSURE SWITCH        |                  |
| 107        | 0646815500          | 0C4083            | PRESSOSTATO                   | PRESSURE SWITCH             |                  |
| 108        | 0624804700          | 004240            | ACCENDITORE                   | LIGHTER                     | GAS              |
| 109        | 0452140500          | 057783            | FUSIBILE AUSILIARIO 4A        | FUSE 4 A                    | GAS              |
| 110        | 0544802200          | 0C2328            | PRESSACAVO                    | TOGHTENER CORD              | GAS              |
| 111        | 0548864302          | 0C3218            | MANOPOLA PER VALVOLA GAS      | KNOB, GAS VALVE             | GAS              |
| 112        | 0830831400          | 054539            | MICRO                         | MICRO                       | GAS              |
| 113        | 0639804900          | 046357            | MORSETTIERA                   | MAIN TERMINAL               | GAS              |
| 114        | 0652800401          | 056582            | PORTAFUSIBILE                 | FUSE HOLDER                 | GAS              |
| 115        | 0646813200          | 0C0999            | TERMOSTATO TEMPERATURA FISSA  | SAFETY THERMOSTAT           | GAS              |
| 116        | 0696805700          | 0C3254            | ELETTROVALVOLA                | MAGNETIC VALVE              |                  |
| 117        | 0517881200          | 0C4455            | RACCORDO A RESCA              | PIPE JUNCTION               |                  |
| 118        | 0527842102          | 0C7083            | SUPPORTO PRESSOSTATO          | PLATE,PRESSURE SWITCH       |                  |
| 119        | 0140068008          | 002707            | TUBO CORAZZATO                | FEEDING PIPE                |                  |
| 120        | 0544615700          | 047431            | RACCORDO A Y                  | Y CONNECTION                |                  |
| 121        | 0835823600          | 0                 | FASCETTA                      | HOSE CLAMP                  |                  |
| 122        |                     |                   |                               |                             |                  |
| 123        | 0835832700          | 002520            | RUBINETTONE SCARICO           | DRAIN TAP                   |                  |
| 124        | 0543800200          | 052902            | GUARNIZIONE SCARICO           | GASKET DRAIN                |                  |
| 125        | 0517881000          | 0C1577            | CONTRODADO RUBINETTONE        | LOCK NUT DRAIN TAP          |                  |
| 126        | 0516880201          | 0C2576            | PROLUNGA SCARICO              | PIPE EXTENSION DRAIN        |                  |
| 127        | 0210360300          | 051717            | DADO CIECO SCARICO INTERC.    | CAP NUT DRAIN INTERSPACE    |                  |
| 128        | *                   | *                 | GOMITO 3/4"                   | ELBOW 3/4"                  |                  |
| 129        |                     |                   |                               |                             |                  |
| 130        |                     |                   |                               |                             |                  |
| 131        | 0574807300          | 004861            | VETRINO CONTROLLO VISIVO      | GLASS FOR VISUAL CONTROL    |                  |
| 132        | 0694601000          | 046217            | FILTRO ANTIDISTURBO           | FILTER                      |                  |



**PENTOLE GAS INDIRETTE 60Lt E700XP**  
**GAS BOILING PAN INDIRECT HEATING 60Lt E700XP**

| <i>Pos</i> | <i>Factory Code</i> | <i>Spare Code</i> | <i>Descrizione</i>                                   | <i>Description</i>                | <i>Ref./Note</i>   |
|------------|---------------------|-------------------|--|-----------------------------------|--------------------|
| 133        | 0516882400          | 0                 | PROLUNGA PER TUBI LIVELLO                            | EXTENSION, LEVEL CONTROL TUBE     |                    |
| 134        | 0830878901          | 002188            | RACCORDO TUBETTO IN VETRO                            | CONNECTION TO GLASS PIPE          |                    |
| 135        | 0544802100          | 002923            | OR   | OR                                |                    |
| 136        | 0574804201          | 002986            | TUBETTO CONTROLLO LIVELLO                            | PIPE FOR WATER LEVEL CONTROL      |                    |
| 137        | 0508878101          | *                 | SCHERMO PER LIVELLO                                  | PLATE, WATER LEVEL CONTROL        |                    |
| 138        |                     |                   |  |                                   |                    |
| 139        | 0215111012          | 051681            | CONDUTTURA ORIZZONTALE                               | HORIZONTAL PIPE                   |                    |
| 140        | 0215110819          | 051680            | CONDUTTURA VERTICALE                                 | VERTICAL PIPE                     |                    |
| 141        | 0510827701          | 0C8075            | GOMITO 3/4"  | ELBOW 3/4"                        |                    |
| 142        | 0514857001          | 0                 | DADO   | NUT                               |                    |
| 143        | 0210976402          | 054808            | POLMONE PORTA VALVOLE                                | SUPPORT VALVE                     |                    |
| 144        | 0835845101          | 004863            | VALVOLA SICUREZZA                                    | SAFETY VALVE                      |                    |
| 145        | 0543804102          | 054807            | GUARNIZIONE VALVOLA                                  | GASKET FOR VALVE                  |                    |
| 146        | 0335239101          | 051566            | VALVOLA DEPRESSIONE                                  | DEPRESSION VALVE                  |                    |
| 147        | 0246005123          | 0C3448            | GUARNIZIONE VALVOLA DEPRES.                          | GASKET, DEPRESSION VALVE          |                    |
| 148        | 0210362114          | 027297            | TAPPO PER POLMONE                                    | TAP, SUPPORT VALVE                |                    |
| 149        | 0246173500          | 027300            | GUARNIZIONE TAPPO                                    | GASKET, TAP                       |                    |
| 150        | *                   | 0K3020            | BOBINA VALVOLA SIT 220/240V 50 Hz                    | COIL GAS VALVE SIT 220/240V 50 Hz | GAS                |
| 170        | 0639805900          | 059794            | MORSETTIERA CON PORTAF.                              | MAIN TERMINAL                     | EL                 |
| 171        | 0452140500          | 057783            | FUSIBILE AUSILIARIO 4-A 250V                         | FUSE 4A - 250V                    | EL                 |
| 172        | 0648807400          | 006879            | CONTATTORE   | CONTACTOR                         | EL                 |
| 173        | 0617816000          | 002523            | RESISTENZA 4.7KW 230V                                | HEATING ELEMENT 4.7kw 230V        | EL                 |
| 174        | 0617816100          | 002524            | RESISTENZA con PORTABULBO                            | HEATING ELEM. with BULBHOLDER     | EL                 |
| 175        | 0543800700          | 046213            | GUARNIZIONE PER RESISTENZA                           | GASKET, HEATING ELEMENT           | EL                 |
| 176        | 0544802300          | 0C0068            | PRESSACAVO   | TOGHTENER CORD                    | EL                 |
| 177        | 0646814900          | 0C2983            | LIMITATORE TEMPERATURA                               | SAFETY THERMOSTAT                 | EL                 |
| 178        | 0694805500          | 0C3805            | SNUBBER  | SNUBBER                           | EL                 |
| 179        | 0A05633700          | 0CA130            | GOMITO   | ELBOW                             | a, c, e, g, i      |
| <b>180</b> | <b>511819900</b>    | <b>0CB037</b>     | <b>TAPPO MASCHIO ART A7 FIL 1/4 OT CRT METALWORK</b> | <b>MALE PLUG</b>                  | <b>AUTO REFILL</b> |
| 200        | 0696805000          | 0C0938            | ELETTROVALVOLA                                       | WATER VALVE                       | AUTO REFILL        |
| 201        | 0515863500          | 0C0888            | RACCORDO   | NIPPLE                            | AUTO REFILL        |
| <b>202</b> | <b>51689A800</b>    | <b>0CB036</b>     | <b>BICONO DI TENUTA DIAM.6</b>                       | <b>DOUBLE CONE DIAM.6</b>         | <b>AUTO REFILL</b> |
| 203        | 0511820700          | 0C1449            | RACCORDO T   | T UNION PIPE                      | AUTO REFILL        |
| 204        | 0517881200          | 0C4455            | RACCORDO A RESCA                                     | NIPPLE                            | AUTO REFILL        |
| 205        | 0835825500          | 058258            | VALVOLA DI RITEGNO                                   | NON RETURN VALVE                  | AUTO REFILL        |
| 206        | 0511819600          | 0CA744            | RIDUZIONE  | REDUCTION UNION PIPE              | AUTO REFILL        |
| 207        | 0831812100          | 0C0940            | CONDUTTURA ELETTR.-LIVELLO MAX                       | PIPE, MAGN.VALVE - MAX LEVEL      | AUTO REFILL        |
| 208        | *                   | *                 | RACCORDO A L   | L UNION PIPE                      | AUTO REFILL        |
| <b>209</b> | <b>0511820000</b>   | <b>0CB035</b>     | <b>NIPPLIO N8 1/4 GAS UNI 5192-86</b>                | <b>NIPPLE N8 1/4 GAS</b>          | <b>AUTO REFILL</b> |
| 210        | 0831812100          | 0C0940            | BOTTIGLIA CONTROLLO DI LIVELLO                       | BOTTLE, CONTROL LEVEL             | AUTO REFILL        |
| 211        | 0831812000          | 0C0939            | SONDA H175   | PROBE H175                        | AUTO REFILL        |
| 212        | 0516873100          | 0C5234            | DISTANZIALE  | SPACER                            | AUTO REFILL        |
| 213        | 0831812100          | 0C0940            | CONDUTTURA SFIATO BOTTIGLIA                          | PIPE, BOTTLE                      | AUTO REFILL        |
| 214        | *                   | *                 | CONDUTTURA LIVELLO INF.                              | PIPE, DRAIN JACKET - BOTTLE       | AUTO REFILL        |
| 215        | 0646813400          | 0C0937            | REGOLATORE DI LIVELLO GICAR                          | GICAR, LEVER REGULATOR            | AUTO REFILL        |