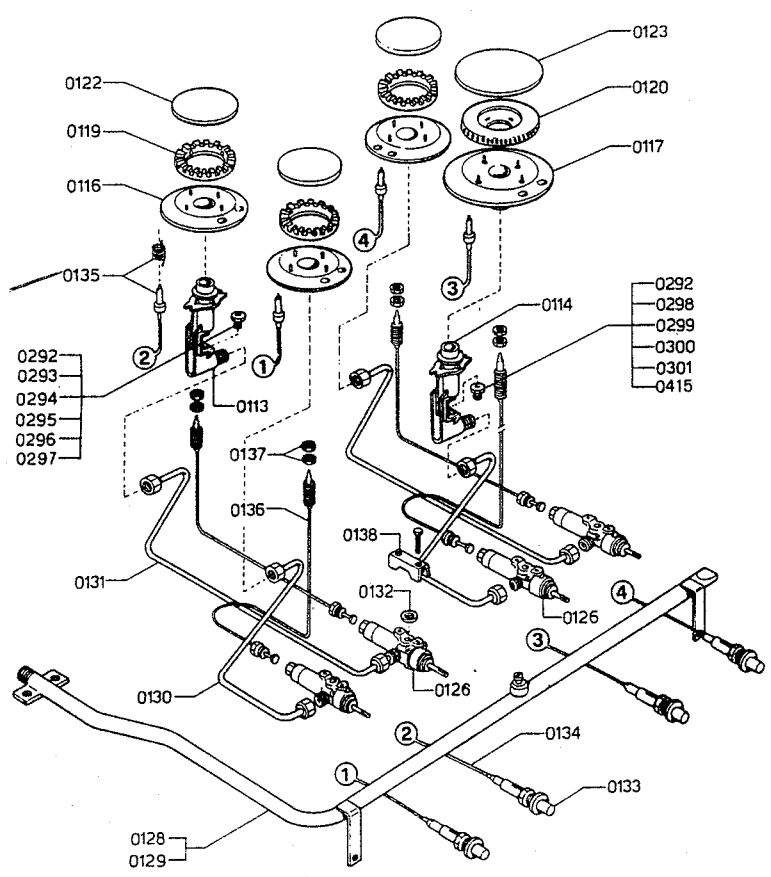
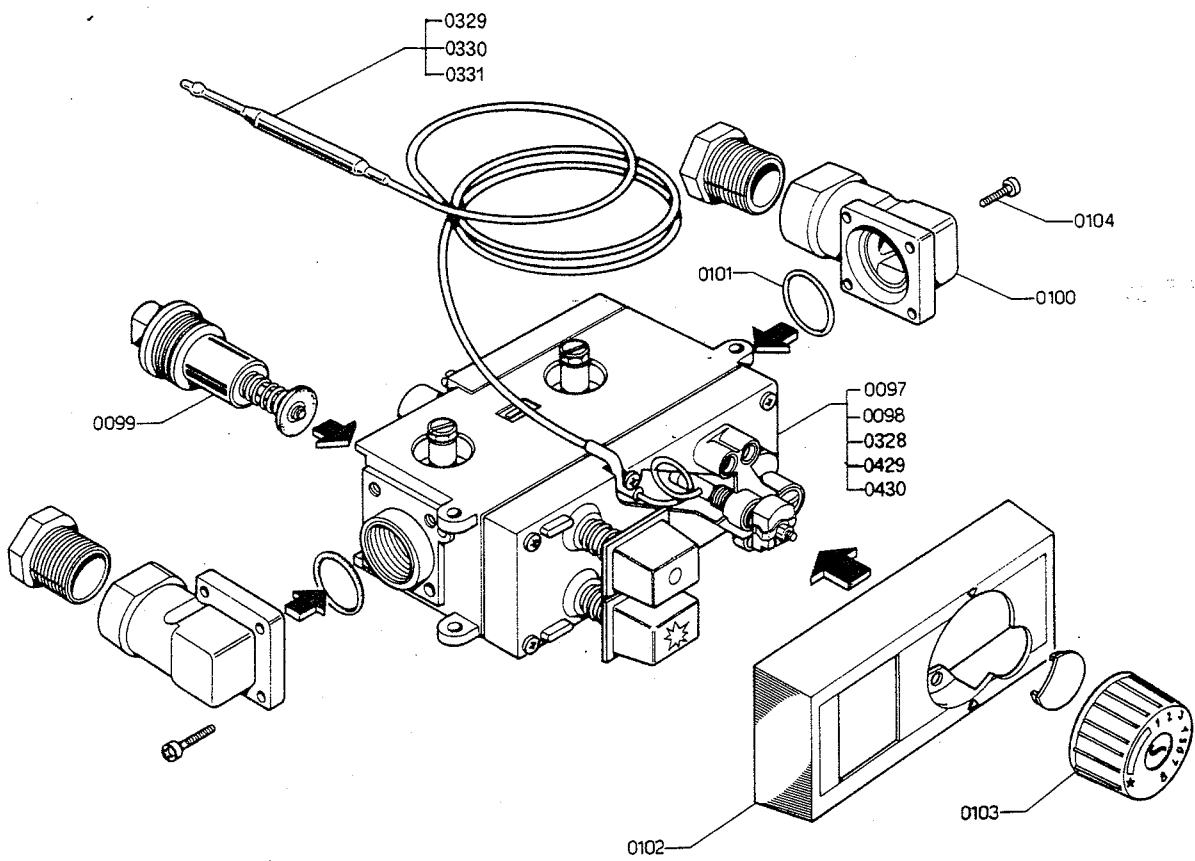


100.729





Page	Pos	Part number	Description
1	001	54.4.1367.00	Back-spacer 61
1	002	54.4.1368.00	Back-spacer 62
1	019	53.3.0103.00	Adjustable leg M10x20x23Ø
1	022	54.1.0154.00	Neutral spacer 61
1	023	54.1.0155.00	Neutral spacer 62
1	105	54.4.1328.00	Bottom 61
1	106	54.4.1329.00	Bottom 62
1	107	54.4.0233.00	Control panel
1	108	54.4.0234.00	Control panel
1	109	53.6.0025.00	Knob for cock
1	110	53.2.0021.00	2 flame enamelled grill
1	113	53.2.0002.00	Quick burner venturi
1	114	53.2.0003.00	Ultra-quick burner venturi
1	116	53.2.0005.00	Quick burner support
1	117	53.2.0006.00	Ultra-quick burner support
1	119	53.2.0008.00	Quick burner ring
1	120	53.2.0009.00	Ultra-quick burner ring
1	122	53.2.0011.00	Quick burner cover in cast iron
1	123	53.2.0012.00	Ultra-quick burner cover in cast iron
1	126	53.1.0023.00	Ultra-quick and quick burner tap with valve (by pass 0,42)
1	128	53.1.0068.00	Ramp
1	129	53.1.0069.00	Ramp
1	130	53.1.0116.00	Front burner tube
1	131	53.1.0117.00	Rear burner tube
1	132	53.6.0004.00	Gasket
1	133	53.7.0028.00	Piezoelectric ignition M18
1	134	54.7.0026.00	High-voltage cable L=500
1	135	53.7.0027.00	Plug with spring
1	136	53.3.0111.00	Thermocouple M8x1xL=600
1	137	53.3.0098.00	Nut M8x1
1	138	53.3.0181.00	Bridle Ø18
1	292	53.3.0321.00	Nozzle Øi 82 G30 (LPG) for ultra-quick and quick burner
1	293	53.3.0490.00	Nozzle Øi 72 G30 (LPG) for quick burner
1	294	53.3.0491.00	Nozzle Øi 125 G20 (natural gas-methane H) for quick burner
1	295	53.3.0324.00	Nozzle Øi 135 G25 (natural gas-methane L) for quick burner
1	296	53.3.0038.00	Nozzle Øi 250 GI 10 (town gas) for quick burner
1	297	53.3.0492.00	Nozzle Øi 130 G25 (LPG) for quick burner
1	298	53.3.0322.00	Nozzle Øi 96 G30 (LPG) for ultra-quick burner
1	299	53.3.0323.00	Nozzle Øi 142 G20 (natural gas-methane H) for ultra-quick burner
1	300	53.3.0125.00	Nozzle Øi 160 G25 (natural gas-methane L) for ultra-quick burner
1	301	53.3.0039.00	Nozzle Øi 270 GI 10 (town gas) for ultra-quick burner
1	415	53.3.0325.00	Nozzle Øi 142 G25 (natural gas-methane L) for ultra-quick burner
2	099	53.1.0012.00	Magnet SIT
2	100	53.3.0182.00	Elbow OR GJ 3/8
2	101	53.6.0005.00	OR for Minisit elbow
2	102	53.6.0007.00	Valve cover
2	103	53.6.0006.00	Minisit black knob
2	104	53.3.0010.00	Screw TC c/c cm 4x15
2	430	53.1.0110.00	Manual valve