

CLEARED FOR PRODUCTION

| ITEM | DESCRIPTION | G3101 | G3101 OTC | G3121 | G3117 | G3117/2 |
|------|---------------------------------------|-----------------|-----------|-----------|-----------|-----------|
| | | SPARES No | SPARES No | SPARES No | SPARES No | SPARES No |
| 1 | O/T BURNER ASSEMBLY COMPLETE | 535290006 | 535290006 | 535290006 | | N/A |
| | O/T BURNER CAP ASSEMBLY | 1.1 535290000 | 535290000 | 535290000 | N/A | N/A |
| | O/T BURNER BASE | 1.2 535290001 | 535290001 | 535290001 | N/A | N/A |
| | O/T INJECTOR HOLDER NAT GAS & PROPANE | 1.3 535290003 | 535290003 | 535290003 | N/A | N/A |
| | O/T 1.93 NAT GAS INJECTOR | 1.3.1 535290004 | 535290004 | 535290004 | N/A | N/A |
| | O/T 1.2 PROPANE INJECTOR | 1.3.2 535290005 | 535290005 | 535290005 | N/A | N/A |
| | 8mm OLIVE | 1.3.3 535480027 | 535480027 | 535480027 | N/A | N/A |
| | TUBE NUT | 1.3.4 535480028 | 535480028 | 535480028 | N/A | N/A |
| 2 | HOB PANEL | 535400150 | 535400150 | 535400150 | N/A | N/A |
| 3 | O/T BURNER SUPPORT BAR | 535290002 | 535290002 | 535290002 | N/A | N/A |
| 4 | O/T REAR THERMOCOUPLE | 535480012 | 535481112 | 535480012 | N/A | N/A |
| 5 | O/T FRONT THERMOCOUPLE | 535480011 | 535480011 | 535480011 | N/A | N/A |
| 6 | O/T FRONT FLEXI PIPE C/W OLIVES | 535400045 | 535400045 | 535400045 | N/A | N/A |
| 7 | O/T REAR FLEXI PIPE C/W OLIVES | 535400055 | 535400055 | 535400055 | N/A | N/A |
| 8 | O/T CONTROL VALVE NAT GAS & PROPANE | 535200021 | 535200021 | 535200021 | N/A | N/A |
| | 8MM OLIVE | 8.1 535480027 | 535480027 | 535480027 | N/A | N/A |
| | TUBE NUT | 8.2 535290007 | 535290007 | 535290007 | N/A | N/A |
| | NAT GAS BYPASS SCREW (76) | 8.3 535290008 | 535290008 | 535290008 | N/A | N/A |
| | PROPANE BYPASS SCREW (51) | 8.4 535290009 | 535290009 | 535290009 | N/A | N/A |
| 9 | FLOAT RAIL | 535290010 | 535300000 | 535300000 | 535310008 | N/A |
| 10 | OVEN THERMOSTAT NAT GAS & PROPANE | 535200022 | N/A | N/A | 535200022 | N/A |
| | 10MM OLIVE | 10.1 535290012 | N/A | N/A | 535290012 | N/A |
| | TUBE NUT | 10.2 535290013 | N/A | N/A | 535290013 | N/A |
| | NAT GAS BYPASS SCREW (76) | 10.3 535290008 | N/A | N/A | 535290008 | N/A |
| | PROPANE BYPASS SCREW (52) | 10.4 535290014 | N/A | N/A | 535290014 | N/A |
| 11 | OVEN FLEXI PIPE C/W OLIVES | 535480082 | N/A | N/A | 535480082 | N/A |
| 12 | OVEN PIPE COUPLING | 535480042 | N/A | N/A | 535480042 | N/A |
| 13 | ELBOW | 535480041 | N/A | N/A | 535480041 | N/A |
| 14 | INJECTOR HOLDER | 535480035 | N/A | N/A | 535480035 | N/A |
| 15 | OVEN BURNER INJECTOR NAT GAS | 535480036 | N/A | N/A | 535480036 | N/A |
| 16 | OVEN BURNER INJECTOR PROPANE | 535480037 | N/A | N/A | 535480037 | N/A |
| 17 | OVEN THERMOCOUPLE EXTENSION | 535400120 | N/A | N/A | 535400120 | N/A |
| 18 | OVEN THERMOCOUPLE | 535400180 | N/A | N/A | 535400180 | N/A |
| 19 | OVEN BURNER | 535290015 | N/A | N/A | 535290015 | N/A |
| 20 | OVEN PIZO IGNITER | 535010000 | N/A | N/A | 535010000 | N/A |
| 21 | OVEN IGNITON ELECTRODE | 535480033 | N/A | N/A | 535480033 | N/A |
| 22 | OVEN IGNITION LEAD (NOT SHOWN) | 535290016 | N/A | N/A | 535290016 | N/A |
| 23 | GOVERNOR | 535480015 | 535480015 | 535480015 | 535480015 | N/A |
| 24 | 3/4" FITTING | 535480016 | 535480016 | 535480016 | 535480016 | N/A |
| | CONVERSION KIT NAT GAS TO PROPANE | 535290029 | 535300005 | 535340002 | 535320001 | 535320003 |
| | CONVERSION KIT PROPANE TO NAT GAS | 535290030 | 535300006 | 535340003 | 535320002 | 535320004 |

| ISSUE | MOD No | ALTERATION | DRAWN BY | DATE |
|-------|--------|------------------|------------|----------|
| A | 6422 | PRODUCTION ISSUE | IAIN JAMES | 09/08/11 |
| | | | | |
| | | | | |
| | | | | |

IF IN DOUBT ASK
DO NOT SCALE
FIRST ANGLE PROJECTION

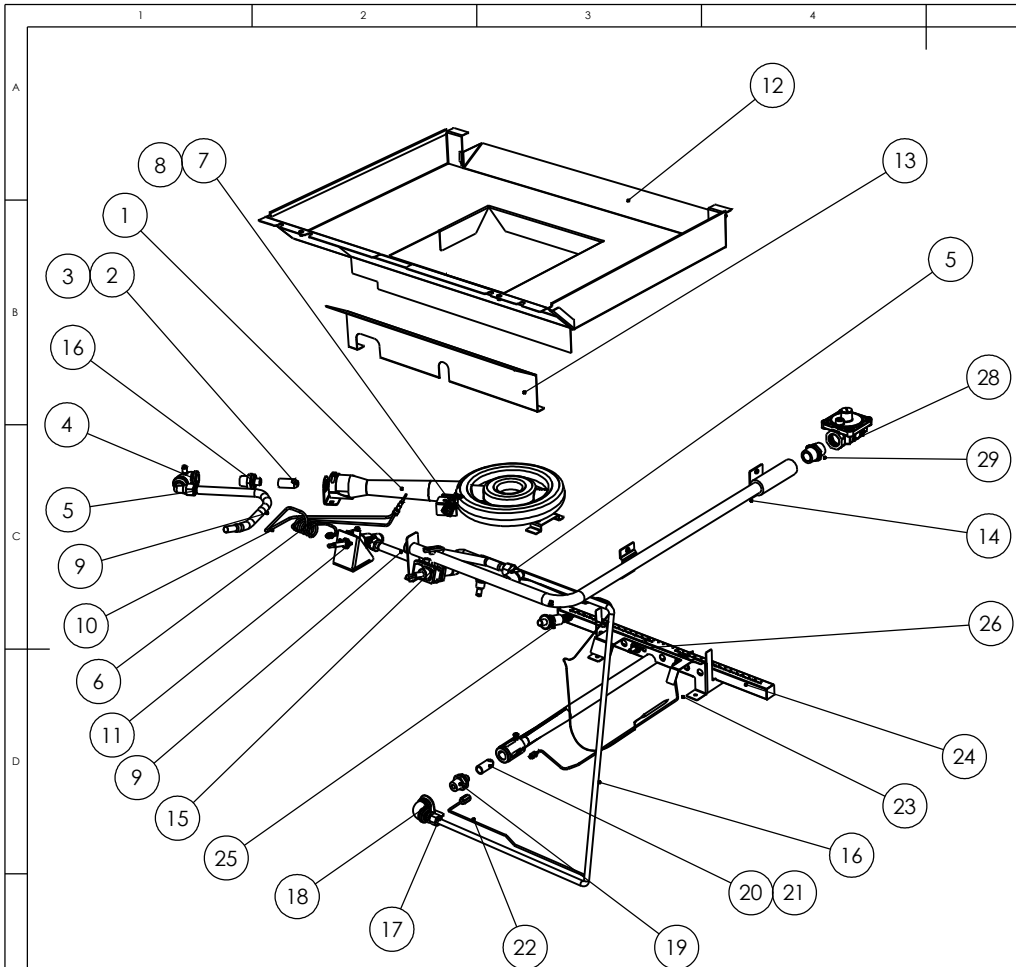
UNLESS OTHERWISE SPECIFIED:
DIMENSIONS ARE IN MILLIMETERS
TOLERANCES:
LINEAR: ±0.5mm
ANGULAR: ±0.5 DEG

DEBUR AND
BREAK SHARP EDGES

WEIGHT: 111329.23g



| | | | |
|--------------------------|----------------|--------------------------|----------|
| DRAWN: IAIN JAMES | PRODUCT | G3101/OTC/21/17 | |
| DATE: 31/05/11 | TITLE | SPARES - CONTROLS | |
| SCALE: 1:10 | DRAWING NUMBER | AA48638 | ISSUE |
| MATL: - | THICKNESS: | | A |
| BIN No: | FINISH: | | |
| | PART No: | | |



| ITEM | DESCRIPTION | G3107 | G3127 |
|------|---|-----------|-----------|
| | | SPARES No | SPARES No |
| 1 | SOLID TOP BURNER ASSEMBLY | 535410001 | 535410001 |
| 2 | SOLID TOP INJECTOR NAT GAS | 535410006 | 535410006 |
| 3 | SOLID TOP INJECTOR PROPANE | 535410007 | 535410007 |
| 4 | ELBOW C/W TEST NIPPLE | 535310000 | 535310000 |
| 5 | SOLID TOP PIPE COUPLING | 535410008 | 535410008 |
| 6 | SOLID TOP THERMOCOUPLE | 535410016 | 535410016 |
| 7 | SOLID TOP PILOT ASSEMBLY NAT GAS No 36 | 535310001 | 535310001 |
| 7.1 | PILOT ORIFICE NAT GAS No 36 | 535410014 | 535410014 |
| 8 | SOLID TOP PILOT ASSEMBLY PROPANE No 19 | 531600055 | 531600055 |
| 8.1 | PILOT ORIFICE PROPANE No 19 | 535410015 | 535410015 |
| 9 | SOLID TOP TAP- BURNER & FLOATRAIL FLEXI PIPE C/W OLIVES | 535410003 | 535410003 |
| 10 | SOLID TOP PILOT FLEXI PIPE C/W OLIVES | 535010012 | 535010012 |
| 11 | SOLID TOP CONTROL VALVE | 535310003 | 535310003 |
| 11.1 | 4mm PILOT PIPE OLIVE | 535310004 | 535310004 |
| 11.2 | PILOT PIPE TUBE NUT | 535310005 | 535310005 |
| 11.3 | 12mm GAS PIPE OLIVE | 535310006 | 535310006 |
| 11.4 | GAS PIPE TUBE NUT | 535310007 | 535310007 |
| 12 | HOB BURNER TRAY | 535410017 | 535410017 |
| 13 | TAP HEATSHIELD | 535220003 | 535220003 |
| 14 | FLOAT RAIL | 535310008 | 535350000 |
| 15 | OVEN THERMOSTAT NAT GAS & PROPANE | 535200022 | N/A |
| 15.1 | 10MM OLIVE | 535290012 | N/A |
| 15.2 | TUBE NUT | 535290013 | N/A |
| 15.3 | NAT GAS BYPASS SCREW (76) | 535290008 | N/A |
| 15.4 | PROPANE BYPASS SCREW (52) | 535290014 | N/A |
| 16 | OVEN FLEXI PIPE C/W OLIVES | 535480082 | N/A |
| 17 | OVEN PIPE COUPLING | 535480042 | N/A |
| 18 | ELBOW | 535480041 | N/A |
| 19 | INJECTOR HOLDER | 535480035 | N/A |
| 20 | OVEN BURNER INJECTOR NAT GAS | 535480036 | N/A |
| 21 | OVEN BURNER INJECTOR PROPANE | 535480037 | N/A |
| 22 | OVEN THERMOCOUPLE EXTENSION | 535400120 | N/A |
| 23 | OVEN THERMOCOUPLE | 535400180 | N/A |
| 24 | OVEN BURNER | 535290015 | N/A |
| 25 | OVEN PIZO IGNITER | 535010000 | N/A |
| 26 | OVEN IGNITION ELECTRODE | 535480033 | N/A |
| 27 | OVEN IGNITION LEAD (NOT SHOWN) | 535290016 | N/A |
| 28 | GOVERNOR | 535480015 | 535480015 |
| 29 | 3/4" FITTING | 535480016 | 535480016 |
| | CONVERSION KIT NAT GAS TO PROPANE | 535310011 | 535350002 |
| | CONVERSION KIT PROPANE TO NAT GAS | 535310012 | 535350003 |

CLEARED FOR PRODUCTION

| ISSUE | MOD No | ALTERATION | DRAWN BY | DATE |
|-------|--------|------------------|------------|----------|
| A | 6422 | PRODUCTION ISSUE | IAIN JAMES | 09/08/11 |
| | | | | |
| | | | | |
| | | | | |

IF IN DOUBT ASK
DO NOT SCALE
FIRST ANGLE PROJECTION

UNLESS OTHERWISE SPECIFIED:
DIMENSIONS ARE IN MILLIMETERS
TOLERANCES:
LINEAR: ±0.5mm
ANGULAR: ±0.5 DEG

DEBUR AND
BREAK SHARP EDGES

WEIGHT: 140998.31g



| | | | |
|--------------------------|----------|--------------------------|----------|
| DRAWN: IAIN JAMES | PRODUCT | G3107/27 | |
| DATE: 31/05/11 | TITLE | SPARES - CONTROLS | |
| SCALE: 1:7.5 | | DRAWING NUMBER | ISSUE |
| MATL: - | | AA48644 | A |
| THICKNESS: | FINISH: | | |
| BIN No: | PART No: | | |

1 2 3 4 5 6 7 8

A

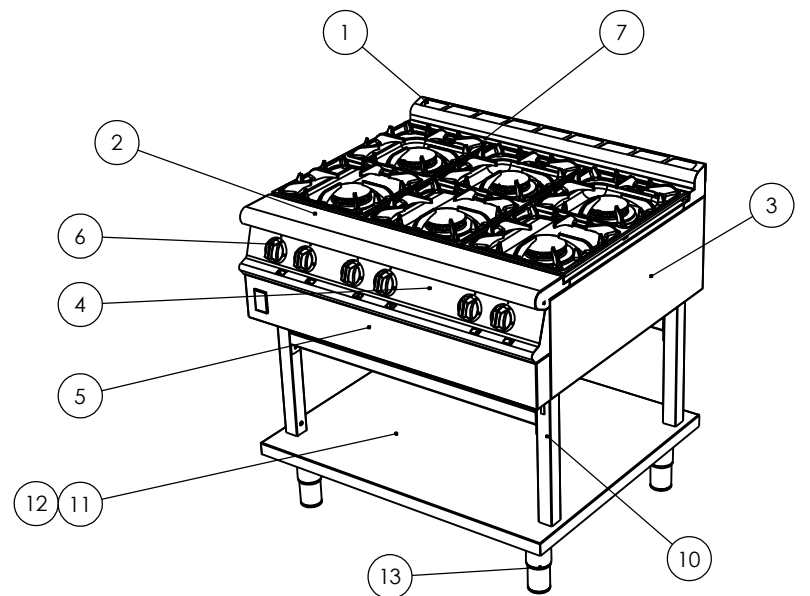
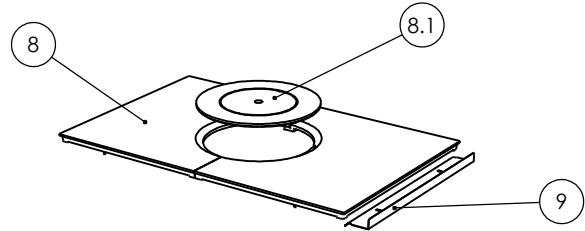
B

C

D

E

F



| ITEM | DESCRIPTION | G3121 | G3127 | G3124 |
|------|---------------------------------|-----------|-----------|-----------|
| | | SPARES No | SPARES No | SPARES No |
| 1 | REAR HOB RAIL | 535290017 | 535290017 | 535330004 |
| 2 | FRONT HOB RAIL | 535290018 | 535290018 | 535330005 |
| 3 | OUTER SIDE PANEL | 535400190 | 535400190 | 535400190 |
| 4 | CONTROL PANEL | 535340000 | 535350000 | 535360001 |
| 5 | CONTROL PANEL LOWER FACIA | 535340001 | 535340001 | 535360002 |
| 6 | HOB CONTROL KNOB | 535290025 | 535310010 | 535290025 |
| 7 | PAN SUPPORT | 535290027 | N/A | 535290027 |
| 8 | SOLID TOP CASTING COMPLETE | N/A | 535400170 | N/A |
| 8.1 | SOLID TOP CENTRE & RING SET | N/A | 535400160 | N/A |
| 9 | HOB SIDE DRIP SHED | N/A | 535410018 | N/A |
| 10 | LEG STAND LEG ASSEMBLY | 535400202 | 535400202 | 535460002 |
| 11 | BOTTOM SHELF | 535400203 | 535400203 | 535460003 |
| 12 | BOTTOM FRAME (NOT SHOWN) | 535400204 | 535400204 | 535460004 |
| 13 | ADJUSTABLE FOOT | 535290028 | 535290028 | 535290028 |
| 14 | REAR FIXED CASTOR (NOT SHOWN) | 534103055 | 534103055 | 534103055 |
| 15 | FRONT SWIVEL CASTOR (NOT SHOWN) | 530964350 | 530964350 | 530964350 |

A

B

C

D

E

F

CLEARED FOR PRODUCTION

| ISSUE | MOD No | ALTERATION | DRAWN BY | DATE |
|-------|--------|------------------|------------|----------|
| A | 6422 | PRODUCTION ISSUE | IAIN JAMES | 09/08/11 |
| | | | | |
| | | | | |
| | | | | |

IF IN DOUBT ASK
DO NOT SCALE
FIRST ANGLE PROJECTION

UNLESS OTHERWISE SPECIFIED:
DIMENSIONS ARE IN MILLIMETERS
TOLERANCES:
LINEAR: ±0.5mm
ANGULAR: ±0.5 DEG

DEBUR AND
BREAK SHARP EDGES

WEIGHT: g



| | |
|--------------------------|----------------|
| DRAWN: IAIN JAMES | PRODUCT |
| DATE: 31/05/11 | TITLE |
| SCALE: 1:10 | |
| MATL: - | DRAWING NUMBER |
| THICKNESS: | FINISH: |
| BIN No: | PART No: |

| | |
|--------------------------|---|
| G3121/27/24 | |
| SPARES - FITMENTS | |
| AA48643 | A |

© NO REPRODUCTION OR PUBLICATION OF THIS DRAWING MAY BE MADE AND NO ARTICLE MAY BE MANUFACTURED OR ASSEMBLED IN ACCORDANCE WITH THIS DRAWING WITHOUT PRIOR WRITTEN CONSENT. THIS PROHIBITION IS A TERM OF ANY CONTRACT RELATING TO THIS DRAWING. RIGHTS RESERVED UNDER THE COPYRIGHT ACT 1956 AS AMENDED BY THE DESIGN COPYRIGHT ACT 1968