

Marmita eléctrica baño maría
Electric indirect boiling pans
Marmites électriques système bain-marie
Elektro-kochkessel indirekt beheizt
Pentole riscaldamento elettrico indiretto
Marmita eléctrica de banho-maria

GAMA 900

Modelos:

ME9-10 PLUS BM

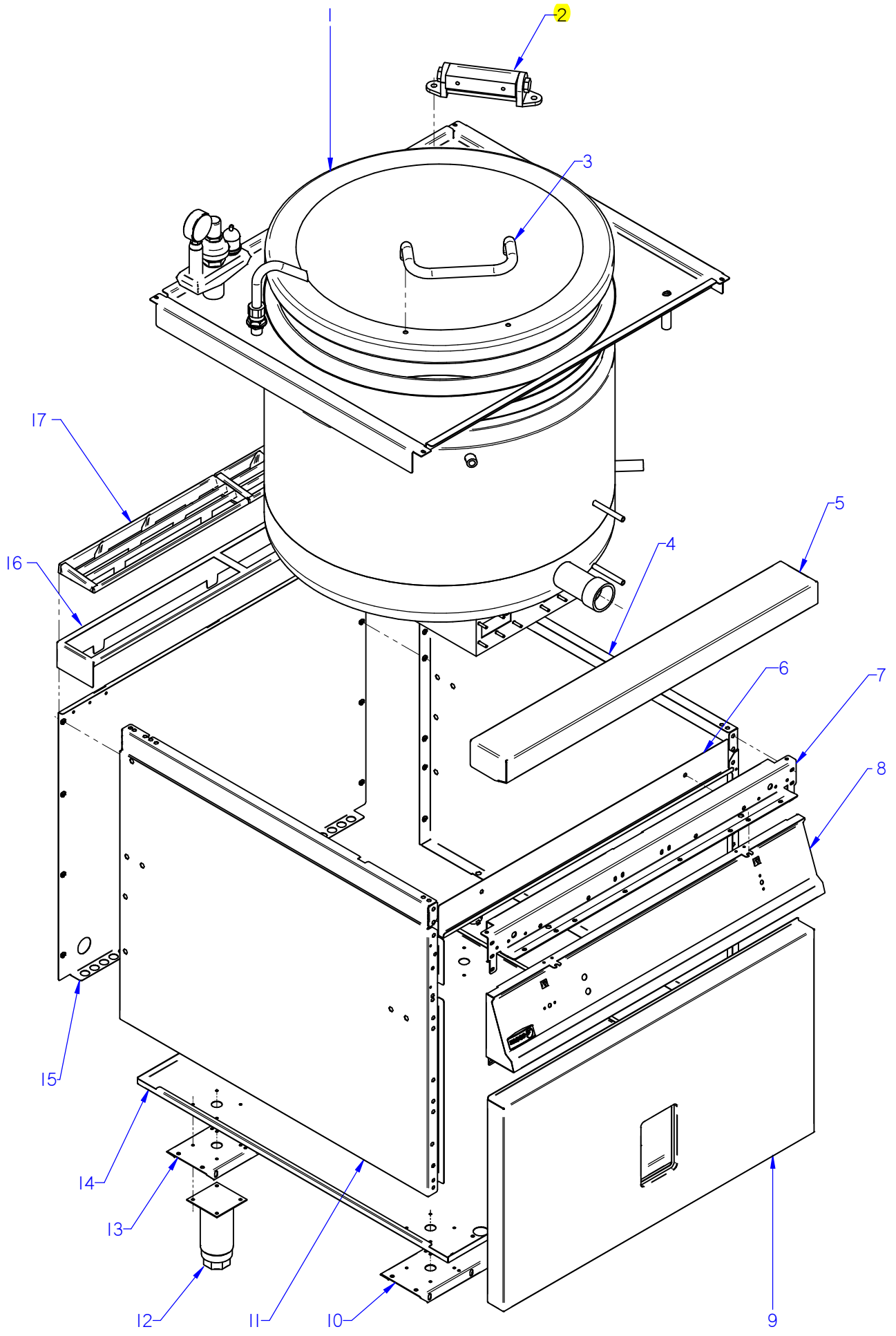
ME9-15 PLUS BM

Octubre 2011 October

Revisado Junio 2013 June Revised



F A G O R I N D U S T R I A L

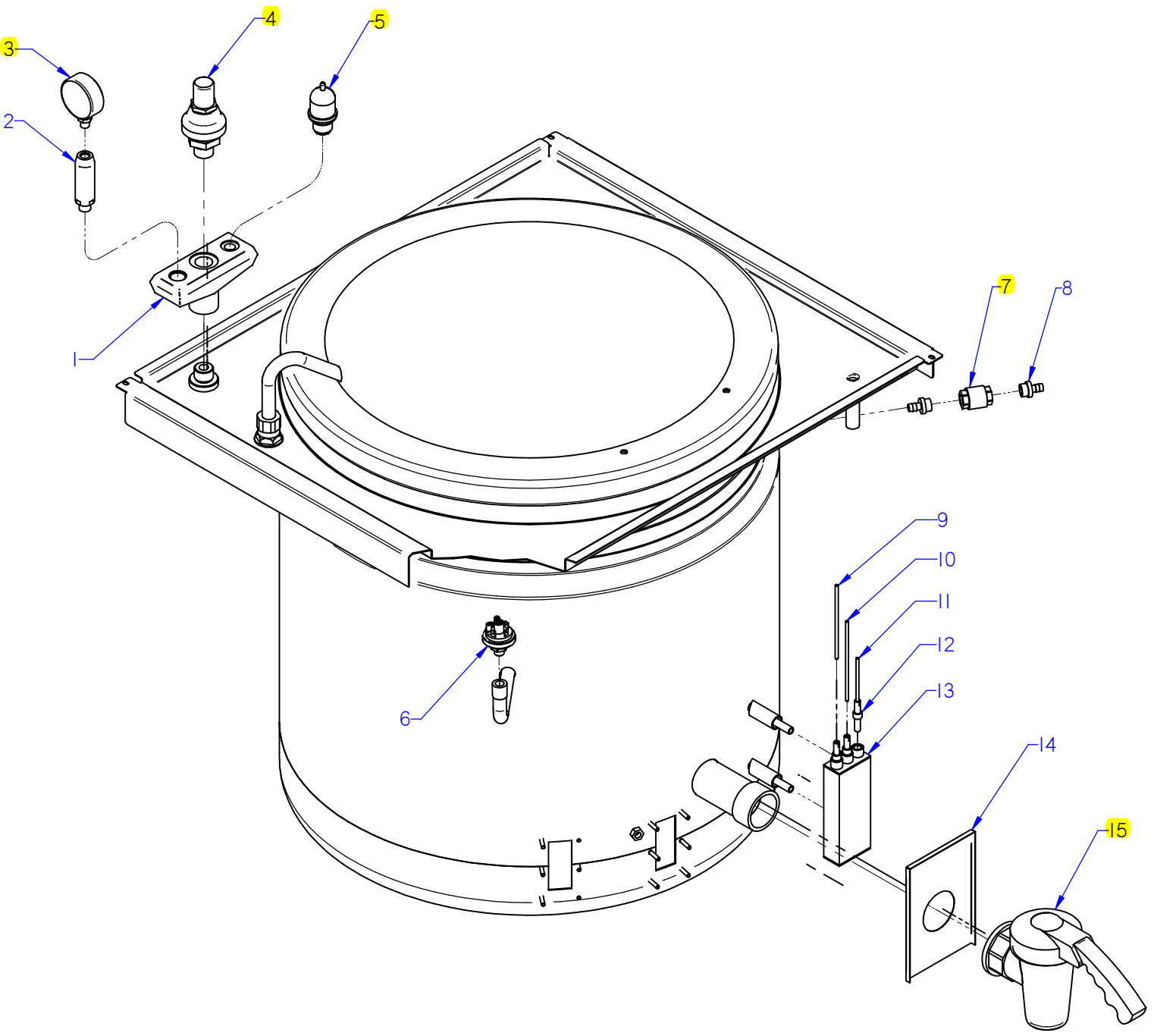


ITEM MARCADO EN COLOR = REPUESTO RECOMENDADO
 COLOURED ITEM = RECOMMENDED SPARE PART

Nº plano / N° plane	Firma	Fecha / Date	Denominación / Denomination: MUEBLE / FITTING	Lamina / Sheet	Fagor Industrial S.Coop. FAGOR
C-2912	<i>[Signature]</i>	2011-10	MARMITAS ME9-10 / 9-15 PLUS BM	1	Oñate

MOD.		MARMITAS / BOILING PANS	ZONA / ZONE	MUEBLE / FITTING				PLANO DIAGRAM		C-2912		
ITEM	CODIGO REFERENCE	DENOMINACION	DENOMINATION	ME9-10 PLUS BM	ME9-10 PLUS BMS	ME9-15 PLUS BM	ME9-15 PLUS BMS			ELIMINADO ELIMINATED	INTRODUCID. INTRODUCED	NOTAS
1	12043626	CUBA+TAPA ME9-10BM AD	TUB+COVER ME9-10 BM AD	1	1	-	-					
1	12010473	CUBA+TAPA ME9-15 BM AD	TUB+COVER ME9-15 BM AD	-	-	1	1					
S/Nº	12043625	CUBA COMPLETA ME9-10BM AD	COMPLETE TUB ME9-10BM AD	1	1	-	-					
S/Nº	12044499	CUBA COMPLETA ME9-15 BM AD	COMPLETE TUB ME9-15 BM AD	-	-	1	1					
S/Nº	12010758	TAPA COMPLETA	COMPLETE COVER	1	1	1	1					
S/Nº	S016101000	FILTRO DE CUBA	TUB FILTER	1	1	1	1					
	S036117000	SOPORTE FILTRO	FILTER SUPPORT	2	2	2	2					
	Q412000000	REMACHE TUBULAR 4x8	TUBULAR RIVET 4x8	8	8	8	8					
2	X026123000	BISAGRA ADVANCE	HINGE ADVANCE	1	1	1	1					
	Q012041000	TORNILLO EXAGONAL M6x10 A304	HEXAGONAL BOLT M6x10 A304	2	2	2	2					
3	S266124000	ASA DE TAPA AD	COVER HANDLE AD	1	1	1	1					
	S262678000	CASQUILLO AMARRE TAPA	BUSHING COVER CAP	2	2	2	2					
	Q012021000	TORNILLO EXAGONAL M4X10	HEXAGONAL BOLT M4X10	2	2	2	2					
4	X162814000	PANEL LATERAL DERECHO G900	RIGHT SIDE PANEL G900	1	-	1	-					
4	12003768	PANEL LATERAL DERECH. G9-00S	RIGHT SIDE PANEL G9-00S	-	1	-	-					
4	12003773	PANEL LATERAL DERE. MG9-15S	RIGHT SIDE PANEL MG9-15S	-	-	-	1					
	Q221343000	REMACHE EXAGONAL M6	HEXAGONAL RIVET M6	11	11	11	11					
	Q221342000	REMACHE EXAGONAL M5	HEXAGONAL RIVET M5	6	6	6	6					
	Q012053000	TORNILLO EXAGONAL M8x20 A304	HEXAGONAL BOLT M8x20 A304	2	2	2	2					
5	S105403000	ANTERIOR DE MESA 1M	BENCH FRONT 1M	1	-	1	-					
	Q152004000	TORNILLO APLAST. M5x13 A304	MUSHROOM HEAD BOLT M5x13 A	2	-	2	-					
	Q302022000	ARANDELA 16x6x1,2 A304	WASHER 16x6x1.2 A304	2	-	2	-					
7	S262607000	ESCUADRA INTERIOR MESA 1M	INTERIOR SQUARE TABLE 1M	1	1	1	1					
	Q221342000	REMACHE EXAGONAL M5	HEXAGONAL RIVET M5	2	2	2	2					
	Q152004000	TORNILLO APLAST. M5x13 A304	MUSHROOM HEAD BOLT M5x13 A	2	2	2	2					
8	S162807000	PORTAMANDOS MARMITA ELECT.	ELECT. PAN CONTROL HOLDER	1	1	1	1					
	Q152004000	TORNILLO APLAST. M5x13 A304	MUSHROOM HEAD BOLT M5x13 A	4	4	4	4					
	Q151336000	TORNILLO SOPORTE GUIAS	GUIDE SUPPORT BOLT	2	2	2	2					
	Q302022000	ARANDELA 16x6x1,2 A304	WASHER 16x6x1.2 A304	2	2	2	2					
	U022836000	ESCUDO FAGOR	FAGOR EMBLEM	1	1	1	1					
	Q221023000	CLIP SUJECIÓN RÁPIDA Ø 5	RAPID FASTENING CLIP Ø5	2	2	2	2					

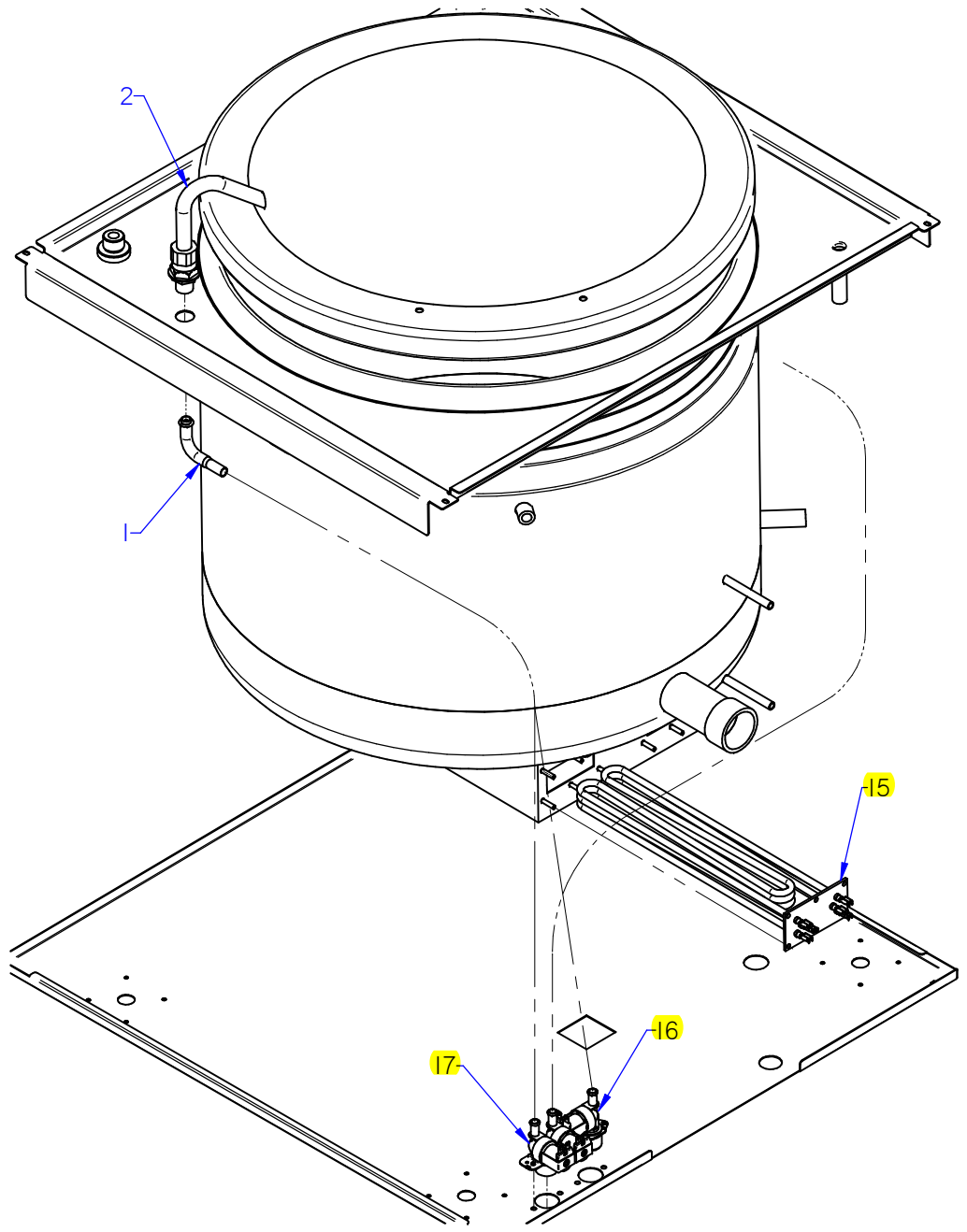
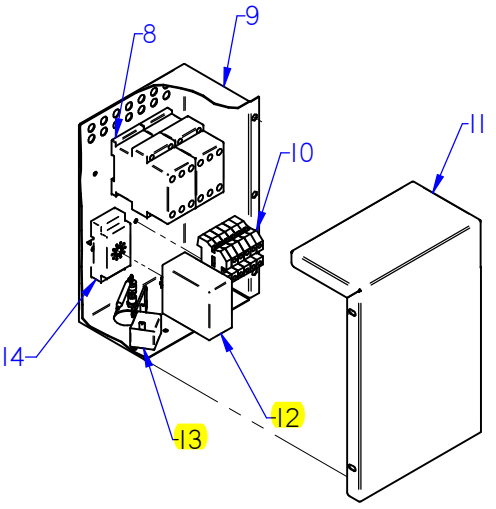
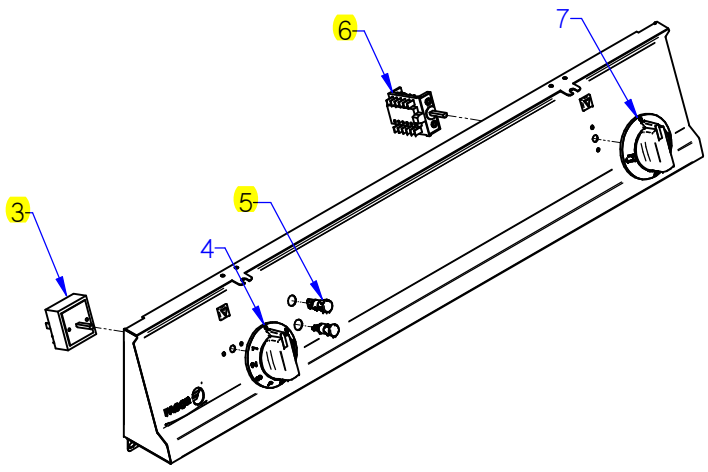
MOD.		MARMITAS / BOILING PANS	ZONA / ZONE	MUEBLE / FITTING				PLANO DIAGRAM	C-2912			
ITEM	CODIGO REFERENCE	DENOMINACION	DENOMINATION	ME9-10 PLUS BM	ME9-10 PLUS BM S	ME9-15 PLUS BM	ME9-15 PLUS BM S			ELIMINADO ELIMINATED	INTRODUCID. INTRODUCED	NOTAS
9	12002195	PANEL FRONTAL ME9-10 BM AD	FRONT PANEL ME9-10 BM AD	1	-	-	-					
9	12006559	PANEL FRONTAL ME9-10 BM S AD	FRONT PANEL ME9-10 BM S AD	-	1	-	-					
9	12002194	PANEL FRONTAL ME9-15 BM AD	FRONT PANEL ME9-15 BM AD	-	-	1	1					
	Q012042000	TORNILLO EXAGONAL M6x15	HEXAGONAL BOLT M6x15	2	2	2	2					
	Q302022000	ARANDELA 16x6x1,2 A304	WASHER 16x6x1.2 A304	2	2	2	2					
10	12005781	LISTON SOPORTE PATAS ANT.1M	FRONT LEG SUPPORT STRIP 1M	1	-	1	-					
11	X162813000	PANEL LATERAL IZQUIERDO G900	LEFT SIDE PANEL G900	1	-	1	-					
11	12003767	PANEL LATERAL IZQUIER. G900S	LEFT SIDE PANEL G900S	-	1	-	-					
11	12003772	PANEL LATERAL IZQUI. MG9-15S	LEFT SIDE PANEL MG9-15S	-	-	-	1					
	Q221343000	REMACHE EXAGONAL M6	HEXAGONAL RIVET M6	11	11	11	11					
	Q221342000	REMACHE EXAGONAL M5	HEXAGONAL RIVET M5	6	6	6	6					
	Q012053000	TORNILLO EXAGONAL M8x20 A304	HEXAGONAL BOLT M8x20 A304	2	2	2	2					
12	X260151000	PATA REGULABLE	ADJUSTABLE LEG	4	-	4	-					
	Q411304000	REMACHE AVIBULB Ø4,8	AVIBULB RIVET Ø4.8	16	-	16	-					
13	12005782	LISTON SOPORTE PATAS POS.1M	REAR LEG SUPPORT STRIP 1M	1	-	1	-					
	Q012042000	TORNILLO EXAGONAL M6x15	HEXAGONAL BOLT M6x15	8	-	8	-					
	Q302022000	ARANDELA 16x6x1,2 A304	WASHER 16x6x1.2 A304	8	-	8	-					
	Q232040000	ARANDELA A6	WASHER A6	8	-	8	-					
14	12006994	BASE INFERIOR ME900 AD	LOWER BASE ME900 AD	1	-	1	-					
14	12043661	BASE INFERIOR ME9-10PLUS BM S	LOWER BASE ME9-10PLUS BM S	-	1	-	-					
14	12043546	BASE INFERIOR ME9-15PLUS BM S	LOWER BASE ME9-15PLUS BM S	-	-	-	1					
	Q221343000	REMACHE EXAGONAL M6	HEXAGONAL RIVET M6	2	2	2	2					
	Q162040000	TUERCA EXAGONAL M6	HEXAGONAL NUT M6	4	4	4	4					
15	X022841000	PANEL POSTERIOR 1M G9-00 AD	REAR PANEL 1M G9-00 AD	1	-	1	-					
15	12006588	PANEL POSTERIOR 910-S AD	REAR PANEL 910-S AD	-	1	-	-					
15	12006843	PANEL POSTERIOR MG9-15 S	REAR PANEL MG9-15 S	-	-	-	1					
	Q419005000	REMACHE 4x8 ALMG3 / ALUMINIO	RIVET 4X8 ALMG3 / ALUMINIUM	8	8	8	8					
16	R205439000	SOPORTE EMBELLECEDOR 1M	TRIM SUPPORT 1M	1	1	1	1					
17	R205425000	EMBELLECEDOR ESMALTE	ENAMEL TRIM	2	2	2	2					



ITEM MARCADO EN COLOR = REPUESTO RECOMENDADO
 COLOURED ITEM = RECOMMENDED SPARE PART

Nº plano / N° plane	Firma	Fecha / Date	Denominación / Denomination:	VALVULAS / VALVES	Lamina / Steel	Fogor Industrial S.coop. FAGOR
C-2913	<i>(Signature)</i>	2011-10	MARMITAS ME9-10 / 9-15 PLUS BM		2	Onote

MOD.		MARMITAS / BOILING PANS	ZONA / ZONE	VALVULAS / VALVES				PLANO DIAGRAM	C-2913			
ITEM	CODIGO REFERENCE	DENOMINACION	DENOMINATION	ME9-10 PLUS BM	ME9-10 PLUS BMS	ME9-15 PLUS BM	ME9-15 PLUS BMS			ELIMINADO ELIMINATED	INTRODUCID. INTRODUCED	NOTAS
1	S022100000	SOPORTE 3 SALIDAS 22805062	3-OUTPUT SUPPORT 22805062	1	1	1	1					
	Q306063000	ARANDELA Ø34x26,7x1,5	WASHER Ø34x26.7x1.5	1	1	1	1					
2	S022102000	PORTAMANOMETRO 2210617	MANOMETERHOLDER 2210617	1	1	1	1					
	Q306066000	ARANDELA Ø23,9x16,6x3	WASHER Ø23.9X16.6X3	1	1	1	1					
3	9220815000	MANOMETRO 36303601	MANOMETER 36303601	1	1	1	1					
4	S022101000	VALVULA SEGURIDAD 01508004	SAFETY VALVE 01508004	1	1	1	1					
	Q306063000	ARANDELA Ø34x26,7x1,5	WASHER Ø34x26.7x1.5	1	1	1	1					
5	S022103000	VALVULA PRESION 01509004	PRESSURE VALVE 01509004	1	1	1	1					
	Q306064000	ARANDELA Ø29,8x24,8x1,5	WASHER Ø29.8x24.8x1.5	1	1	1	1					
6	S093000000	PRESOSTATO	PRESSOSTAT	1	1	1	1					
7	12044568	VALVULA ANTIRRETORNO 1/2"	NON-RETURN VALVE 1/2"	1	1	1	1				02,04,12	
8	12044569	BOQUILLA MANGUERA 1/2" Ø11	NOZZLE HOSE 1/2" Ø11	2	2	2	2				02,04,12	
	12010047	ABRAZADERA Fe Zn 8-14MM DIN30	CLAMP Fe Zn 8-14MM DIN3017	2	2	2	2				02,04,12	
9	R345063000	ELECTRODO DE NIVEL BAJO	LOW LEVEL ELECTRODE	1	1	1	1					
10	R345064000	ELECTRODO DE MASA	EARTH ELECTRODE	1	1	1	1					
11	R345060000	ELECTRODO DE NIVEL ALTO	HIGH LEVEL ELECTRODE	1	1	1	1					
12	R345069000	GUIA AISLANTE	INSULATION GUIDE	3	3	3	3					
13	S263001000	BOTE DE NIVELES	LEVELS VESSEL	1	1	1	1					
14	S112803000	CUBIERTA GRIFO MG-900	TAP COVER MG-900	1	1	1	1					
S/Nº	S162103000	MUELLE MARMITA ELECTRICA	ELECTRIC PAN SPRING	1	1	1	1					
15	S102125000	GRIFO VACIADO 2"	DRAINAGE TAP 2"	1	1	1	1					

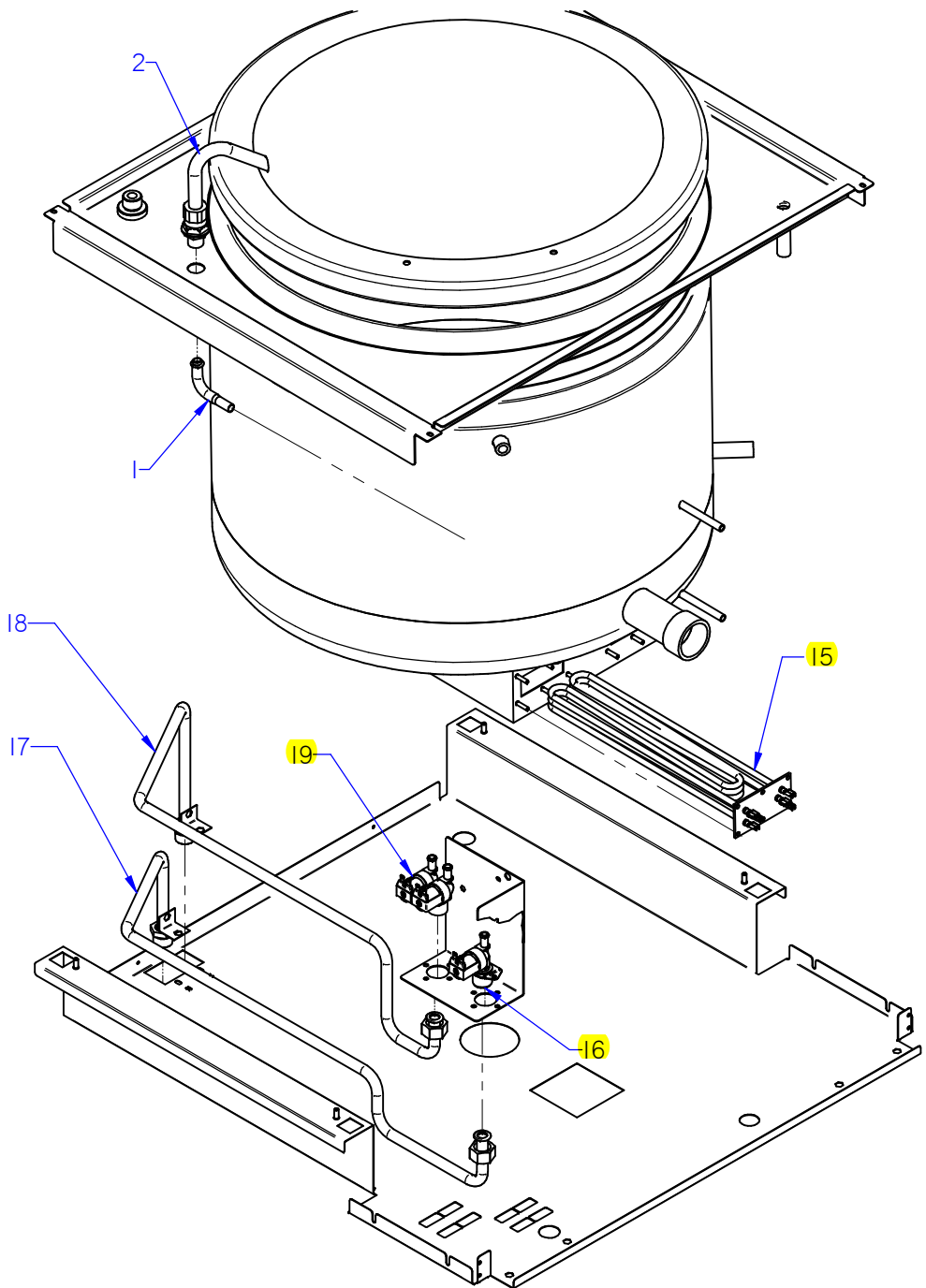
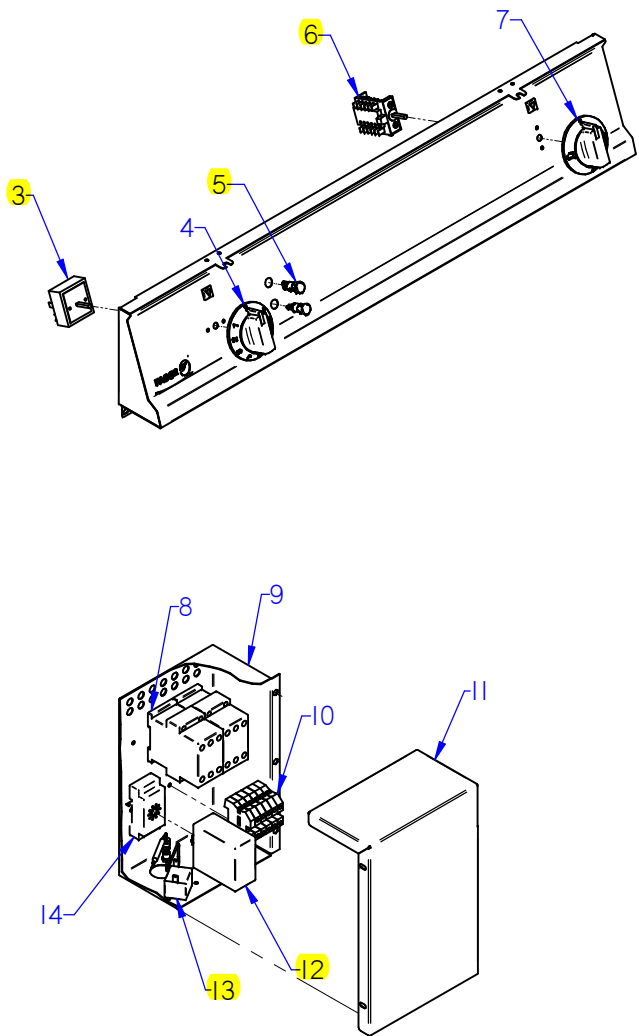


ITEM MARCADO EN COLOR = REPUESTO RECOMENDADO
 COLOURED ITEM = RECOMMENDED SPARE PART

Nº plano / N° plane C-2914	Firma <i>(Signature)</i>	Fecha / Date 2011-10	Denominación / Denomination: MARMITAS ME9-10 / 9-15 PLUS BM	Lamina / Steel 3	Fogor Industrial S. Coop. FAGOR Oñate
			PARTE FUNCIONAL / FUNCTIONAL PART		

MOD.		MARMITAS / BOILING PANS	ZONA / ZONE	PARTE FUNCIONAL / FUNCTIONAL PART							PLANO DIAGRAM	C-2914	
ITEM	CODIGO REFERENCE	DENOMINACION	DENOMINATION	ME9-10 PLUS BM	ME9-15 PLUS BM						ELIMINADO ELIMINATED	INTRODUCID. INTRODUCED	NOTAS
1	S565027000	TUBO ENTRADA TUBO LLENADO	INTAKE PIPE FILLER PIPE	1	1								
	Q306024000	JUNTA18X12.5X1.5	SEAL 18X12.5X1.5	1	1								
	Q223010000	TUERCA 1/2 GAS	NUT 1/2 GAS	1	1								
S/Nº	3676900000	TUBO GOMA NEGRA Ø 17*10	BLACK RUBBER PIPE 17*10	3	3								
	Q881308000	ABRAZADERA 8-14L	CLAMP 8-14L	6	6								
S/Nº	Z201106000	RACORD EN Y	Y-CONNECTION	1	1								
2	S052100000	TUBO LLENADO 01102113	FILLER PIPE 01102113	1	1								
3	S333001000	REGULADOR DE ENERGIA	ENERGY REGULATOR	1	1								
	Q151320000	TORN. ALOMADO M4X6 H.ZINCAD.	HEXAGONAL CURVED HEAD M4X6	2	2								
4	12009013	BOTON DE MANDO MARMITA ME9-	PAN CONTROL BUTTON ME9-	1	1								
5	R693056000	PILOTO AMBAR 41227000A4	AMBER PILOT 41227000A4	1	1						01.02.13		
5	12024669	PILOTO AMBAR Ø18	AMBER PILOT Ø18	1	1							01.02.13	
S/Nº	R693055000	PILOTO VERDE 41227000C7	GREEN PILOT 41227000C7	1	1						01.02.13		
S/Nº	12047390	PILOTO VERDE 230V AC 8KW 16M	GREEN PILOT 230V AC 8KW 16M	1	1							01.02.13	
6	R693004000	CONMUTADOR DE FUNCIONES	FUNCTIONS SWITCH	1	1								
	Q042022000	TORNILLO AVELLANADO M4X15	COUNTERSUNK BOLT M4x15	2	2								
7	12009002	MANDO AGUA MARMITA BM	WATER PAN CONTROL BM	1	1								
8	X183011000	CONTACTOR 3RT1024-1AN20 230	CONTACTOR 3RT1024-1AN20 230	2	2								
S/Nº	Z103084000	GUIA CONTACTOR L-138 "	CONTACTOR GUIDE L-138 "	1	1								
	Q419005000	REMACHE 4X8 ALMG3 / ALUMINIO	RIVET 4X8 ALMG3 / ALUMINIUM	2	2								
9	S263006000	CAJA ELECTRICA AD	ELECTRIC BOX AD	1	1								
	Q221342000	REMACHE EXAGONAL M5	HEXAGONAL RIVET M5	3	3								
	Q152004000	TORNIL. APLASTADO M5X13 A 304	FLAT HEADED SCREW M5x13 A 304	2	2								
10	Z683069000	BORNES 16	TERMINALS 16	3	3								
	Z683097000	BORNA PASO WDU16 10204.8	STEP TERMINAL WDU16 10204.8	1	1								
	Z683070000	BORNA A TIERRA WEIDMULLER	TERMINAL TO EARTH WEIDMULLER	1	1								
	Z683096000	TOPE FINAL WEW35 10590.0	END STOP WEW35 10590.0	1	1								
	Z683068000	SEÑALIZ.DEK-6WEIDMULLER	SIGNS DEK-6WEIDMULLER	1	1								
S/Nº	Z103084000	GUIA CONTACTOR L-138 "	CONTACTOR GUIDE L-138 "	1	1								
	Q419005000	REMACHE 4X8 ALMG3 / ALUMINIO	RIVET 4X8 ALMG3 / ALUMINIUM	2	2								

MOD.		MARMITAS / BOILING PANS		ZONA / ZONE		PARTE FUNCIONAL / FUNCTIONAL PART						PLANO DIAGRAM		C-2914	
ITEM	CODIGO REFERENCE	DENOMINACION	DENOMINATION	ME9-10 PLUS BM	ME9-15 PLUS BM							ELIMINADO ELIMINATED	INTRODUCID. INTRODUCED	NOTAS	
11	263007000	TAPA CAJA ELECTRICA AD	ELECTRIC BOX COVER AD	1	1										
	Q152004000	TORNIL. APLASTADO M5X13 A 304	FLAT HEADED SCREW M5x13	3	3										
12	R343072000	DETECTOR DE NIVELES	LEVEL DETECTOR	1	1										
13	Z213014000	LIMITADOR TECASA P.	LIMITER TECASA P.	1	1										
	Q151320000	TORN. ALOMADO M4X6 H.ZINCADG	HEXAGONAL CURVED HEAD M4X	2	2										
S/Nº	Z203060000	AMARRE LIMITADOR TECASA	LIMITER FASTENING TECASA	1	1										
	Q221341000	REMACHE EXAGONAL M4	HEXAGONAL RIVET M4	2	2										
	Q012021000	TORNILLO EXAGONAL M4X10	HEXAGONAL BOLT M4X10	2	2										
14	R743009000	BASE ENCHUFABLE UNDECAL	UNDECAL BASE PLUG	1	1										
15	T723038000	RESISTENCIA 3X3000W 230V	RESISTOR 3X3000W 230V	2	2										
	Q163030000	TUERCA EXAGONAL M5 LATON	HEXAGONAL NUT M5 BRASS	12	12										
S/Nº	T323007000	JUNTA RESISTENCIA CALDERIN	RESISTOR SEAL	2	2										
16	Z701135000	ELECTROVALVULA SIMP. 220V	SIMPLE SOLENOID VALVE 220V	1	1										
17	P255001000	ELECTROVALVULA DOBLE	DOUBLE SOLENOID VALVE	1	1										
	Z601156000	REGULADOR 8L RO. 254.034	REGULATOR 8L RED 254.034	2	2										
	Z601156000	REGULADOR 8L RO. 254.034	REGULATOR 8L RED 254.034	1	1							12.09.11			
	Q032021000	TORNILLO ALOMADO M4X10	CURVED SCREW M4X10	4	4										
S/Nº	12024115	MANGUERA ENTRADA AGUA	WATER INTAKE HOSE	2	2								12.09.11		



ITEM MARCADO EN COLOR = REPUESTO RECOMENDADO
 COLOURED ITEM = RECOMMENDED SPARE PART

Nº plano / N° plane	Firma	Fecha / Date	Denominación / Denomination:	PARTIE FUNCIONAL / FUNCTIONAL PART	Lamina / Sheet	Fogor Industrial S. Coop. FAGOR
C-2914a	<i>(Signature)</i>	2011-10	MARMITAS ME9-10 / 9-15 PLUS BMS		3	Onote

MOD.		MARMITAS / BOILING PANS	ZONA / ZONE	PARTE FUNCIONAL / FUNCTIONAL PART							PLANO DIAGRAM	C-2914a	
ITEM	CODIGO REFERENCE	DENOMINACION	DENOMINATION	ME9-10 PLUS BMS	ME9-15 PLUS BMS						ELIMINADO ELIMINATED	INTRODUCID. INTRODUCED	NOTAS
1	S565027000	TUBO ENTRADA TUBO LLENADO	INTAKE PIPE FILLER PIPE	1	1								
	Q306024000	JUNTA18X12.5X1.5	SEAL 18X12.5X1.5	1	1								
	Q223010000	TUERCA 1/2 GAS	NUT 1/2 GAS	1	1								
S/Nº	3676900000	TUBO GOMA NEGRA Ø 17*10	BLACK RUBBER PIPE 17*10	3	3								
	Q881308000	ABRAZADERA 8-14L	CLAMP 8-14L	6	6								
S/Nº	Z201106000	RACORD EN Y	Y-CONNECTION	1	1								
2	S052100000	TUBO LLENADO 01102113	FILLER PIPE 01102113	1	1								
3	S333001000	REGULADOR DE ENERGIA	ENERGY REGULATOR	1	1								
	Q151320000	TORN. ALOMADO M4X6 H.ZINCAD.	HEXAGONAL CURVED HEAD M4X6	2	2								
4	12009013	BOTON DE MANDO MARMITA ME9-	PAN CONTROL BUTTON ME9-	1	1								
5	R693056000	PILOTO AMBAR 41227000A4	AMBER PILOT 41227000A4	1	1						01.02.13		
5	12024669	PILOTO AMBAR Ø18	AMBER PILOT Ø18	1	1							01.02.13	
S/Nº	R693055000	PILOTO VERDE 41227000C7	GREEN PILOT 41227000C7	1	1						01.02.13		
S/Nº	12047390	PILOTO VERDE 230V AC 8KW 16M	GREEN PILOT 230V AC 8KW 16M	1	1							01.02.13	
6	R693004000	CONMUTADOR DE FUNCIONES	FUNCTIONS SWITCH	1	1								
7	12009002	MANDO AGUA MARMITA BM	WATER PAN CONTROL BM	1	1								
8	X183011000	CONTACTOR 3RT1024-1AN20 230	CONTACTOR 3RT1024-1AN20 230	2	2								
S/Nº	Z103084000	GUIA CONTACTOR L-138 "	CONTACTOR GUIDE L-138 "	1	1								
	Q419005000	REMACHE 4X8 ALMG3 / ALUMINIO	RIVET 4X8 ALMG3 / ALUMINIUM	2	2								
9	S263006000	CAJA ELECTRICA AD	ELECTRIC BOX AD	1	1								
	Q221342000	REMACHE EXAGONAL M5	HEXAGONAL RIVET M5	3	3								
	Q152004000	TORNIL. APLASTADO M5X13 A 304	FLAT HEADED SCREW M5x13 A 304	2	2								
10	Z683069000	BORNES 16	TERMINALS 16	3	3								
	Z683097000	BORNA PASO WDU16 10204.8	STEP TERMINAL WDU16 10204.8	1	1								
	Z683070000	BORNA A TIERRA WEIDMULLER	TERMINAL TO EARTH WEIDMULLER	1	1								
	Z683096000	TOPE FINAL WEW35 10590.0	END STOP WEW35 10590.0	1	1								
	Z683068000	SEÑALIZ.DEK-6WEIDMULLER	SIGNS DEK-6WEIDMULLER	1	1								
S/Nº	Z103084000	GUIA CONTACTOR L-138 "	CONTACTOR GUIDE L-138 "	1	1								
	Q419005000	REMACHE 4X8 ALMG3 / ALUMINIO	RIVET 4X8 ALMG3 / ALUMINIUM	2	2								
11	263007000	TAPA CAJA ELECTRICA AD	ELECTRIC BOX COVER AD	1	1								
	Q152004000	TORNIL. APLASTADO M5X13 A 304	FLAT HEADED SCREW M5x13	3	3								

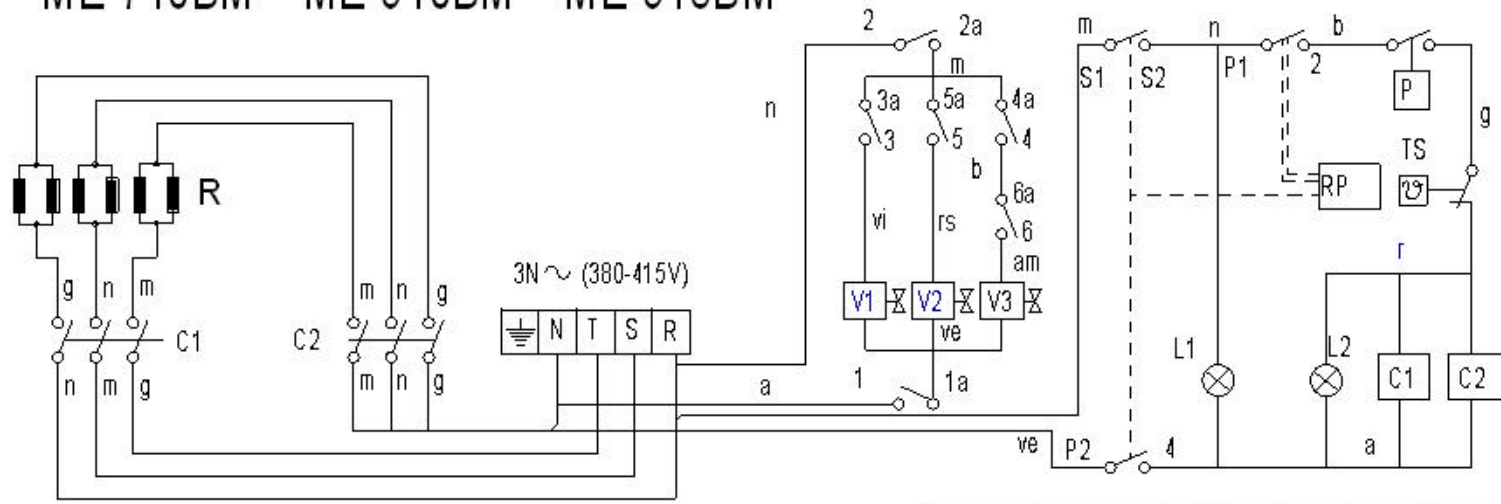
MOD.	MARMITAS / BOILING PANS	ZONA / ZONE	PARTE FUNCIONAL / FUNCTIONAL PART	PLANO DIAGRAM	C-2914a									
ITEM	CODIGO REFERENCE	DENOMINACION	DENOMINATION	ME9-10 PLUS BMS	ME9-15 PLUS BMS							ELIMINADO ELIMINATED	INTRODUCID. INTRODUCED	NOTAS
12	12024209	DETECTOR DE NIVELES	LEVEL DETECTOR	1	1									
13	Z213014000	LIMITADOR TECASA P.	LIMITER TECASA P.	1	1									
	Q151320000	TORN. ALOMADO M4X6 H.ZINCADC	HEXAGONAL CURVED HEAD M4X	2	2									
S/Nº	Z203060000	AMARRE LIMITADOR TECASA	LIMITER FASTENING TECASA	1	1									
	Q221341000	REMACHE EXAGONAL M4	HEXAGONAL RIVET M4	2	2									
	Q012021000	TORNILLO EXAGONAL M4X10	HEXAGONAL BOLT M4X10	2	2									
14	R743009000	BASE ENCHUFABLE UNDECAL	UNDECAL BASE PLUG	1	1									
15	T723038000	RESISTENCIA 3X3000W 230V	RESISTOR 3X3000W 230V	2	2									
	Q163030000	TUERCA EXAGONAL M5 LATON	HEXAGONAL NUT M5 BRASS	12	12									
S/Nº	T323007000	JUNTA RESISTENCIA CALDERIN	RESISTOR SEAL	2	2									
16	12025161	ELECTROVALVULA SIMP. 220V	SIMPLE SOLENOID VALVE 220V	1	1									
17	12041558	CONDUCCION AGUA CALIENTE	HOT WATER PIPE	1	1								12.01.12	
18	12041556	CONDUCCION AGUA FRIA	COLD WATER PIPE	1	1								12.01.12	
S/Nº	12010191	JUNTA TUBO 14X24X3	SEAL PIPE 14X24X3	2	2								12.04.13	
19	12023794	ELECTROVALVULA DOBLE	DOUBLE SOLENOID VALVE	1	1									
	Z601156000	REGULADOR 8L RO. 254.034	REGULATOR 8L RED 254.034	2	2									
	Z601156000	REGULADOR 8L RO. 254.034	REGULATOR 8L RED 254.034	1	1							12.09.11		
	Q032021000	TORNILLO ALOMADO M4X10	CURVED SCREW M4X10	4	4									

MOD.	MARMITAS / BOILING PANS	ZONA / ZONE	VARIOS / MISCELLANEOUS	PLANO DIAGRAM
------	-------------------------	-------------	------------------------	---------------

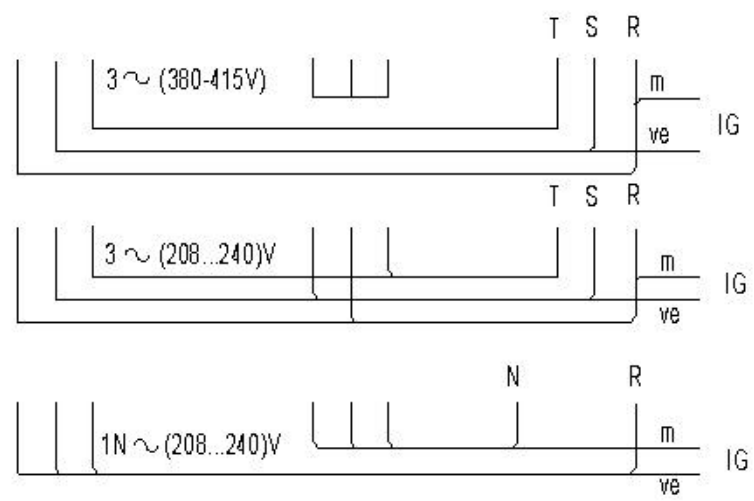
ITEM	CODIGO REFERENCE	DENOMINACION	DENOMINATION	ME9-10 PLUS BM	ME9-10 PLUS BMS	ME9-15 PLUS BM	ME9-15 PLUS BMS					ELIMINADO ELIMINATED	INTRODUCID. INTRODUCED	NOTAS
	S236501000	FOLLETO DE INSTRUCCIONES ME	INSTRUCTION LEAFLET ME	1	1	1	1							
	S333003000	ESQUEMA TEORICO ADHESIVO	THEOR. DIAGRAM LABEL	1	1	1	1							PLANO HC-72844
	S333002000	PLANO DE MONTAJE	ASSEMBLY PLAN	1	1	1	1							PLANO HC-72843
	12023614	CABLEAD. REGLETA CONTACTOR	WIRING CONTACTOR STRIP	2	2	2	2							
	S163002000	CABLE. RESISTENCIAS ME9-10BM	CABLE. RESISTORS ME9-10BM	1	1	1	1					13.02.12		
	12043508	CABLEADO. ME 910 BM AD	WIRING ME 910 BM AD	2	2	2	2						13.02.12	
	12041380	CABLEADO ENTRADA AGUA	WIRING IN WATER			1	1					13.02.12		
	S333000000	CABLEADO CONTACTOR RESIST.	RESIST. CONTACTOR WIRING	1	1	1	1					13.02.12		
	12002158	LEYENDA SARTEN BASCULANTE	TILTING PAN LEGEND	1	1	1	1						13.02.12	
	12046142	CABLEAD.TENSOR PORTAMANDOS	CONTROL HOLDER WIRING TEN.	1	1	1	1						01.10.12	

MOD.	MARMITAS / BOILING PANS		ZONA / ZONE	REPUESTOS RECOMENDADOS RECOMMENDED SPARE PART				PLANO DIAGRAM					
ITEM	CODIGO REFERENCE	DENOMINACION	DENOMINATION	ME9-10 PLUS BM	ME9-10 PLUS BMS	ME9-15 PLUS BM	ME9-15 PLUS BMS				ELIMINADO ELIMINATED	INTRODUCID. INTRODUCED	NOTAS
2	X026123000	BISAGRA ADVANCE	HINGE ADVANCE	1	1	1	1						C-2912
3	9220815000	MANOMETRO 36303601	MANOMETER 36303601	1	1	1	1						C-2913
4	S022101000	VALVULA SEGURIDAD 01508004	SAFETY VALVE 01508004	1	1	1	1						C-2913
5	S022103000	VALVULA PRESION 01509004	PRESSURE VALVE 01509004	1	1	1	1						C-2913
7	12044568	VALVULA ANTIRRETORNO 1/2"	NON-RETURN VALVE 1/2"	1	1	1	1					02,04,12	C-2913
15	S102125000	GRIFO VACIADO 2"	DRAINAGE TAP 2"	1	1	1	1						C-2913
3	S333001000	REGULADOR DE ENERGIA	ENERGY REGULATOR	1		1							C-2914
5	12024669	PILOTO AMBAR Ø18	AMBER PILOT Ø18	1		1						01.02.13	C-2914
S/Nº	12047390	PILOTO VERDE 230V AC 8KW 16MN	GREEN PILOT 230V AC 8KW 16MN	1		1						01.02.13	C-2914
6	R693004000	CONMUTADOR DE FUNCIONES	FUNCTIONS SWITCH	1		1							C-2914
12	R343072000	DETECTOR DE NIVELES	LEVEL DETECTOR	1		1							C-2914
13	Z213014000	LIMITADOR TECASA P.	LIMITER TECASA P.	1		1							C-2914
15	T723038000	RESISTENCIA 3X3000W 230V	RESISTOR 3X3000W 230V	2		2							C-2914
16	Z701135000	ELECTROVALVULA SIMP. 220V	SIMPLE SOLENOID VALVE 220V	1		1							C-2914
17	P255001000	ELECTROVALVULA DOBLE	DOUBLE SOLENOID VALVE	1		1							C-2914
3	S333001000	REGULADOR DE ENERGIA	ENERGY REGULATOR		1		1						C-2914a
5	12024669	PILOTO AMBAR Ø18	AMBER PILOT Ø18		1		1					01.02.13	C-2914a
S/Nº	12047390	PILOTO VERDE 230V AC 8KW 16MN	GREEN PILOT 230V AC 8KW 16MN		1		1					01.02.13	C-2914a
6	R693004000	CONMUTADOR DE FUNCIONES	FUNCTIONS SWITCH		1		1						C-2914a
12	12024209	DETECTOR DE NIVELES	LEVEL DETECTOR		1		1						C-2914a
13	Z213014000	LIMITADOR TECASA P.	LIMITER TECASA P.		1		1						C-2914a
15	T723038000	RESISTENCIA 3X3000W 230V	RESISTOR 3X3000W 230V		2		2						C-2914a
16	12025161	ELECTROVALVULA SIMP. 220V	SIMPLE SOLENOID VALVE 220V		1		1						C-2914a
19	12023794	ELECTROVALVULA DOBLE	DOUBLE SOLENOID VALVE		1		1						C-2914a

ME-710BM ME-910BM ME-915BM



- IG: Interruptor general
- C1,C2: Contactor de calentamiento
- L1: Lám para funcionamiento
- L2: Lám para calentamiento
- P: Presostato 0,3 bares
- R: Resistencias
- RP: Regulador de energía
- TS: Termostato Seguridad (125°)
- V1: Válvula Agua Caliente
- V2: Válvula Agua Fria
- V3: Válvula Agua Cámara

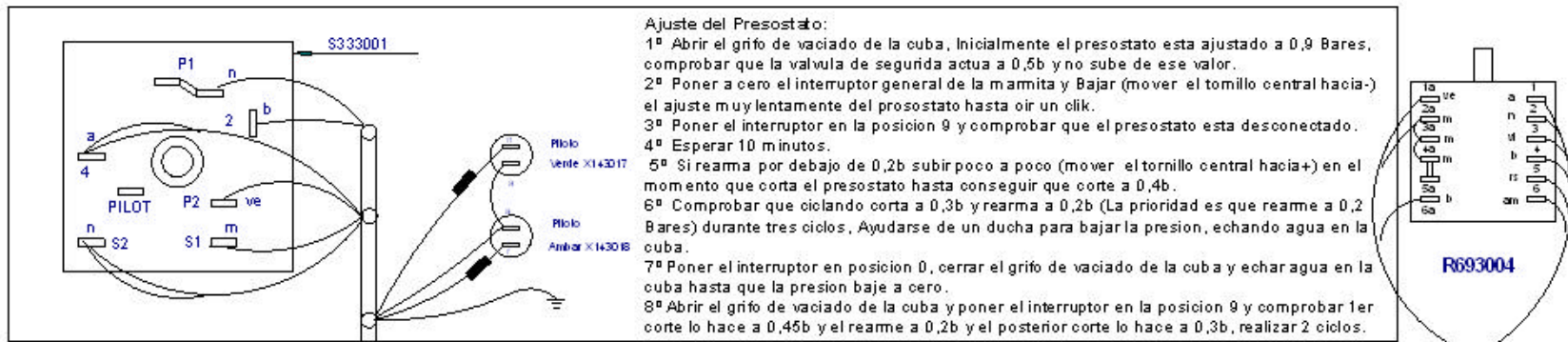


POSICION	%	±2%	P1 - 2		P2 - 4	S1 - S2
			TON	TON+TOF		
0	0	0	∞	∞		
52°	6%	3"	45"	X	X	
84°	10%	4"	38"	X	X	
116°	15%	5"	32"	X	X	
148°	25%	7"	29"	X	X	
180°	30%	9"	30"	X	X	
212°	40%	13"	32"	X	X	
244°	55%	21"	37"	X	X	
276°	75%	45"	60"	X	X	
308°	100%	∞	∞	X	X	

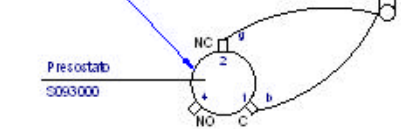
- ve = verde-green-vert
- r = rojo-red-rouge
- m = marron-brown-marron
- g = gris-grey-gris
- n = negro-black-noir
- a = azul-blue-bleu
- b = blanco-white-blanc
- vi = violeta-violette-violet
- am/ve = amarillo/verde
- yellow/green-jaune/vert

S333003000

Esquema teórico ME-710BM, ME-910BM		S333003000	
Nº Pieza	Materia	Nº Clasificación	Acabado
Nº Modificación	Proyectado de	Fecha	Tolerancias generales
1	Introducción de Tabla de Regulador de Energía	M. Maíllo	09-05-2003
			< 0,5 ±
			0,5 - 0,25 ±
			0,25 - 0,50 ±
			60 - 100 ±
			> 100 ±
			< 0,5 ±
Dibujado	Fecha		Mecanizado aoperación
Proyectado	31-05-1997		
Comprobado	31-05-1997		
Escala			
MARMITA ELECTRICA			Página número HC-72844 -1
Financiado por el Gobierno Vasco			Sustituye al Nº
Financiado por el Gobierno Vasco			Sustituido por

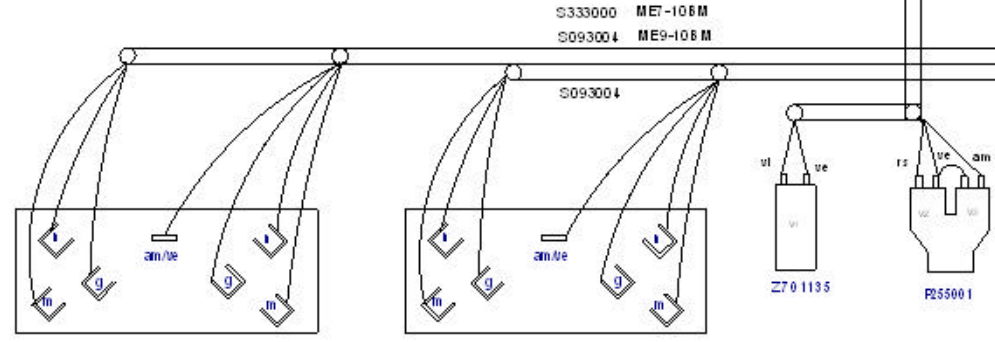


¡OJO MUY IMPORTANTE!
 Apretar con la mano de forma muy suave y luego apretar con la llave.

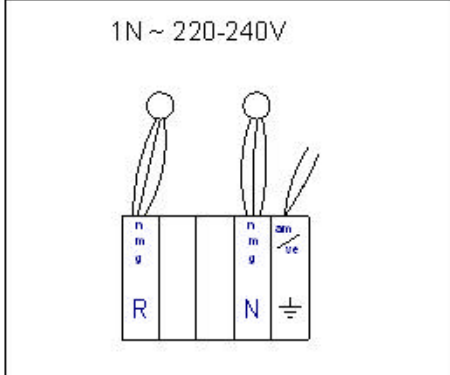
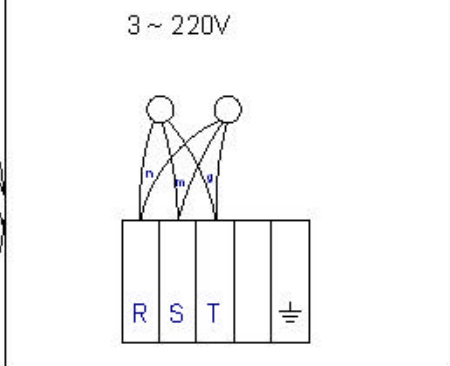
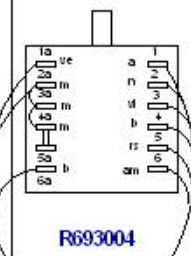


Esquema de bobinas

S583001	ME7-106 M
S333000	ME9-xx 6M
S333000	MP9-xx 6M



ME9-106M Z721701 9,6 kW 230V
 ME7-106 M R143000 9KW 230V



3 ~ 380-440V **SIN NEUTRO**

U803072 R: 150k W 1/4W

Cambiar regulador de energia S333001 por HD63011
 ME9-10 BM: Cambiar Contactor X183011 por X183067
 ME7-106M: Cambiar Contactor Z203050 por HD63010
 Cambiar cable verde de 2C2 a 4C1

Plano de montaje 380-415V		S-333002			
Nº	Pieza	Cart.	Material	Nº Clasificación	Acabado
Nº	Modificación		Proyectado de	Fecha	To Errores de revisión
1	De R143000 a Z721701 en ME710		Plazaola	9-2-99	
	De S333000a S333030/de Z891751a Z721701				
2	Introducir Versión 400V sin Neutro		M.Mallo	28-09-2006	<3± : 60-100± : 5-25± : >100± 25-50± : <0±
3	CAMBIA R DE RESISTENCIAS		M.Mallo	08-05-2007	
4	Placa de gine raba te e le krobabak cartita		e. carascal	2008-03-06	
Dibujado		Firma	Fecha	Mecanizado epectral	
Proyectado		HONTXI	19/6/97		
Comprobado		FAGOR			
Ejecab		Fagor Industrial/Coop. E. Migaboa			
				Plano de montaje	
				HC-72843-04	
				Sustituye al Nº	
				Sustituido por	

MARMITAK