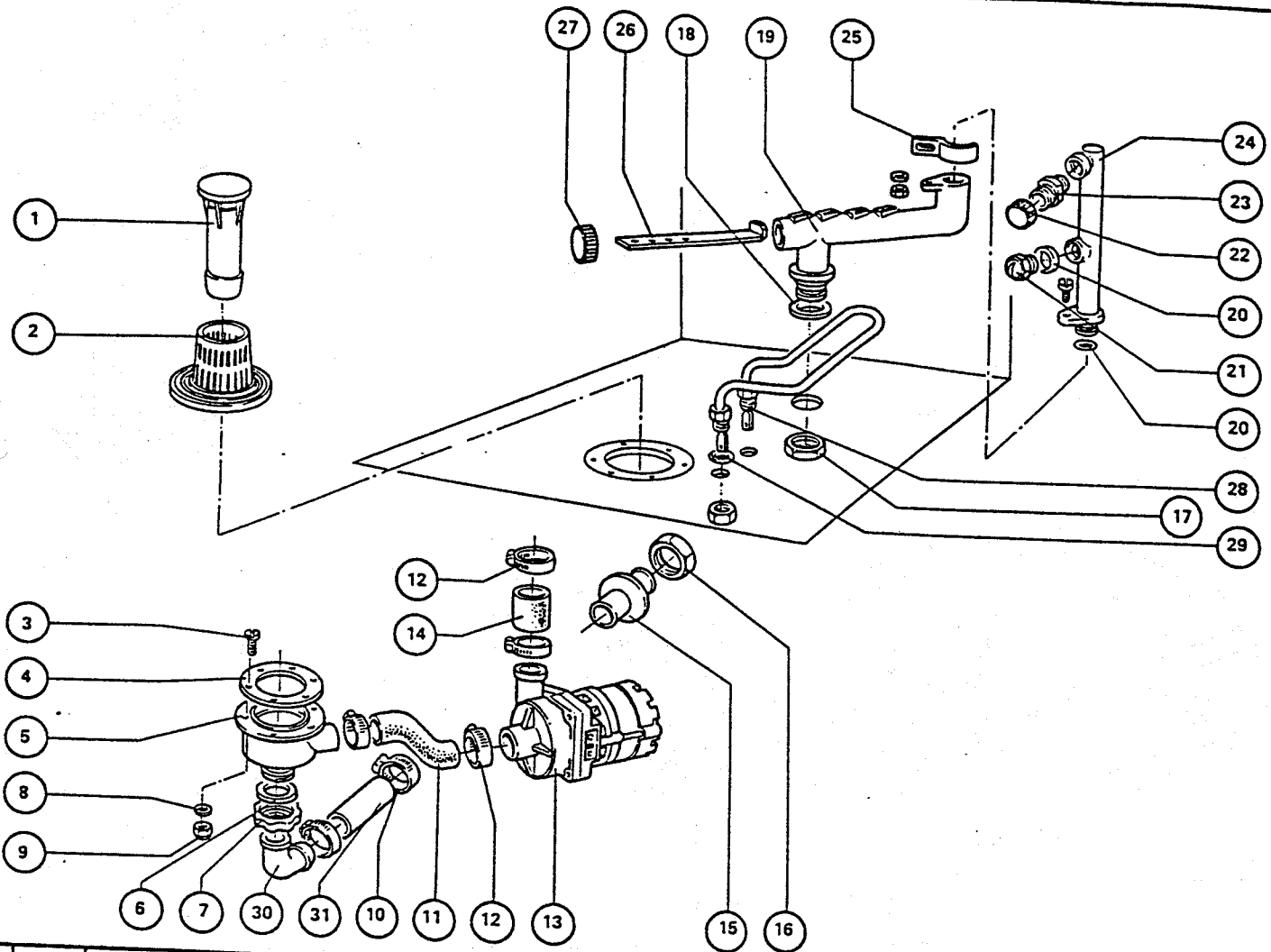
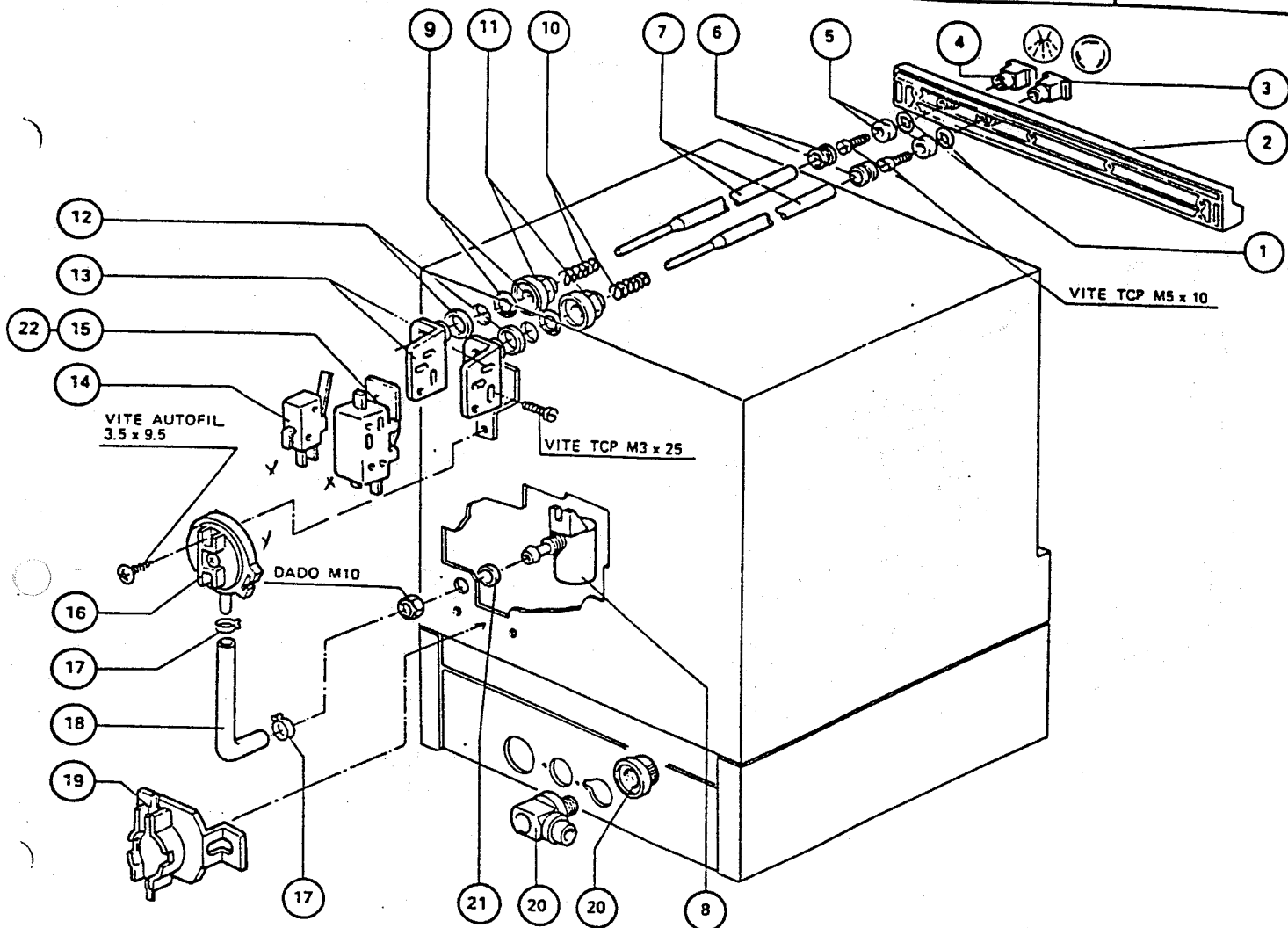


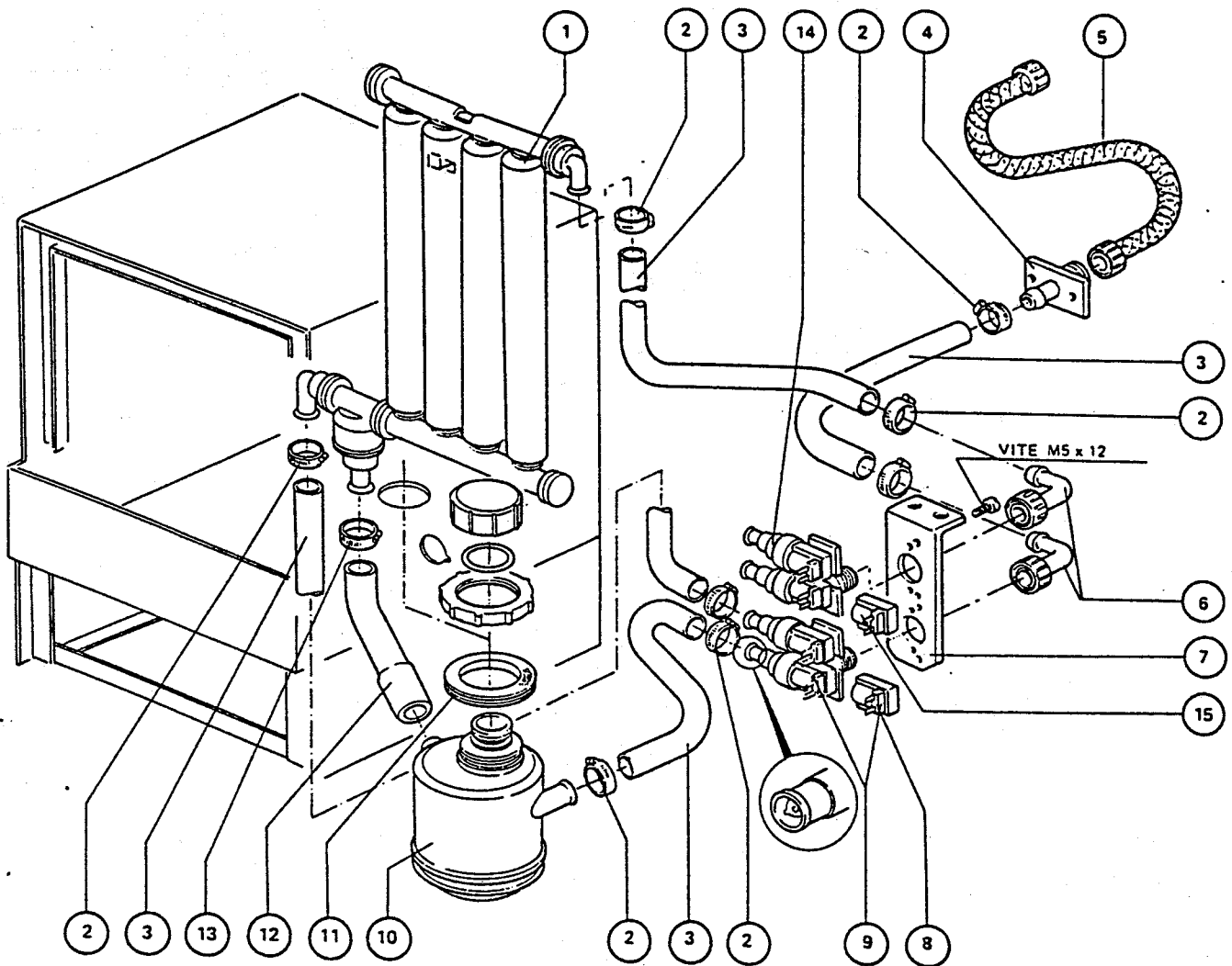
P. S.	M	CODICE	DESCRIZIONE	DENOMINATION	DESCRIPTION	BEZEICHNUNG
1		321802 X	CERNIERA	PATTE	DOOR SUPPORT	HALTEPLATTE
2		341218 X	PERNO CERNIERA	AXE	PIN	STIFT
3	B10	320954	PORTINA	PORTE	DOOR	TUR
3	B11-12	320955	PORTINA	PORTE	DOOR	TUR
		381403 X	SCROCCHETTO	FERMETURE PORTE	DOOR CATCH	SCHNAPPVERSCHLUSS
	B10	170809	MANIGLIA	POIGNEE	DOOR HANDLE	TURGRIFF
5	B11-12	170808 X	MANIGLIA	POIGNEE	DOOR HANDLE	TURGRIFF
6		160832	RONDELLA	RONDELLE	DOOR HANDLE	TURGRIFF
7		260238	VITE T.B. M4 x 10	VIS	WASHER	BEILEGSCHIBE
8		260237	VITE T.C.P. BRUNITA M5 x 25	VIS	SCREW	SCHRAUBE
9		460714	TARGA COMANDI	PANNEAU	CONTROL PANEL	SCHRAUBE
10		210204	PIEDINO	PIED	CONTROL PANEL	SCHALTAFEL
11		310212	DADO CIECO	ECROU	FOOT	FUSS
12	B10	161115	PROTEZIONE POSTER.	PROTECTION POST.	LOCK NUT	MUTTER
12	B11-12	161104	PROTEZIONE POSTER.	PROTECTION POST.	BACKPANEL	ABDECKUNG
13	B10	340896	CARROZZERIA	CARROSSERIE	BACKPANEL	ABDECKUNG
13	B11-12	340897	CARROZZERIA	CARROSSERIE	HOOD	KARROSSERIE
14		210402	PARACOLPI	CARROSSERIE	HOOD	KARROSSERIE
15		320667	RINFORZO CERNIERA	PROTECTION	PAD	TURDAMPFER
16				REINFORCEMENT	REINFORCEMENT	VERSTÄRKUNG



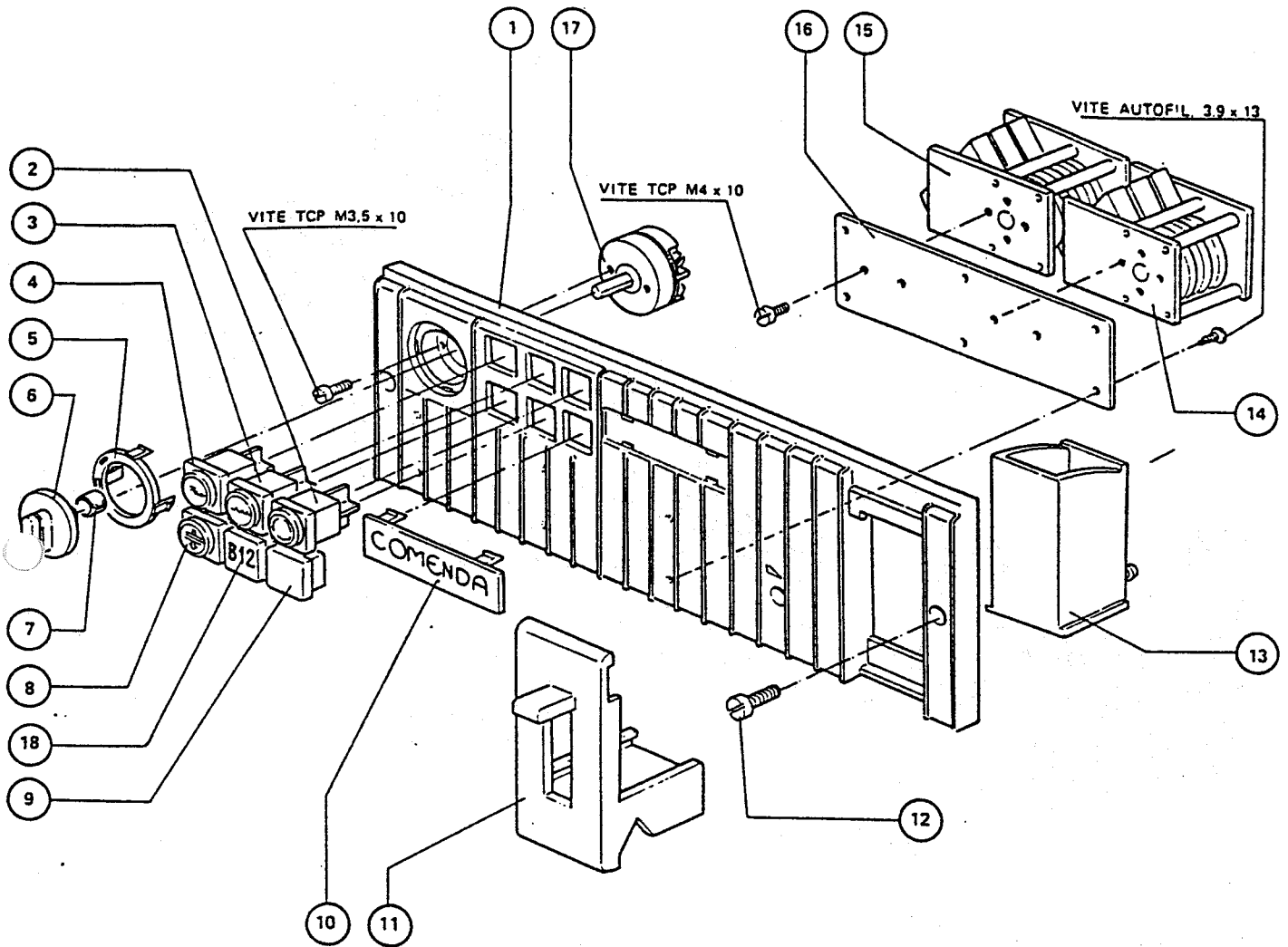
M	CODICE	DESCRIZIONE	DENOMINATION	DESCRIPTION	BEZEICHNUNG
	180704	TROPPOPIENO	TROP PLEIN	OVERFLOW PIPE	ÜBERLAUFSTUTZEN
	180809	FILTRO	FILTRE	STRAINER	FILTER
	260224	VITI TB 6 x 15	VIS	SCREW	SCHRAUBE
	200436	GUARNIZIONE	JOINT	GASKET	DICHTUNG
	180210	TRONCHETTO	TRONC	PUMP SUCTION	ANSAUGSTUTZEN
	200412	GUARNIZIONE	JOINT	GASKET	DICHTUNG
	180102	GHIERA PER CODULO	EMBOUT	LOCK NUT	DICHTUNG
	160804	GUARNIZIONE DUBO	JOINT	GASKET	GEWINDERING
	290701	DADO CIECO	ECROU	LOCK NUT	DICHTUNG
	450114	FASCETTA 22 + 32	COLLIER	CLAMP	MUTTER
	200719	TUBO ASPIRAZIONE	TUYAU	SUCTION HOSE	SCHLAUCHSCHELLE
	450139	FASCETTA 26 + 38	COLLIER	CLAMP	ANSAUGSCHLAUCH
B11-12	100628	POMPA 0.12 HP	POMPE	PUMP	SCHLAUCHSCHELLE
B10	100660	POMPA 0.12 HP	POMPE	PUMP	PUMPE
	200369	MANICOTTO	MANCHON	DISCHARGE HOSE	PUMPE
	190304	RACCORDO DI SCARICO	RACCORDEMENT	DRAIN CONNECTION	VERBINDUNGSSCHLAUCH
	180101	CONTRODADO Ø 3/4"	CONTRE - ECROU 3/4"	RETAINING NUT 3/4"	ABLAUFANSCHLUSS
	270106	GHIERA	EMBOUT	LOCK NUT	GEGENMUTTER 3/4"
	200412	GUARNIZIONE	JOINT	GASKET	KLEMMRING
	170603	TUBO LAV. INF.	TUYAU	LOWER WASH PIPE	DICHTUNG
	200819	GUARNIZIONE OR	O-RING	O-RING	UNTERER WASCHARM
	170924	UGELLO A TAGLIO	GICLEUR	NOZZLE	O-RING
	170908	UGELLO	GICLEUR	NOZZLE	SPÜLDÜSE
	190618	DIFFUSORE	DIFFUSEUR	DEFLECTOR	SPÜLDÜSE
B10	170618	TUBO LAV. LATERALE	TUYAU	WASH PIPE	SPÜLDÜSE
B11-12	170604	TUBO LAV. LATERALE	TUYAU	WASH PIPE	VERTEILER
	330611	FERMO BRACCIO SUP.	ARRET	TIE ROD	SEITL. WASCHARM
	320824	PIASTRINA	PATTE	SUPPORT	SHELLE
	160710	TAPPO PER TUBO	BOUCHON	PLUG	PLATTE
	110235 X	RESISTENZA 1500 W	RESISTANCE	HEATING ELEMENT	PFRÖPFEN
	200810	GUARNIZIONE OR	O-RING	O-RING	HEIZKÖRPER
	180204	CODULO CURVO	COUDE	ELL	O-RING
	200742	TUBO DI SCARICO	DURITE	DRAIN HOSE	KNIESTÜCK
					ABLAUFSCHLAUCH



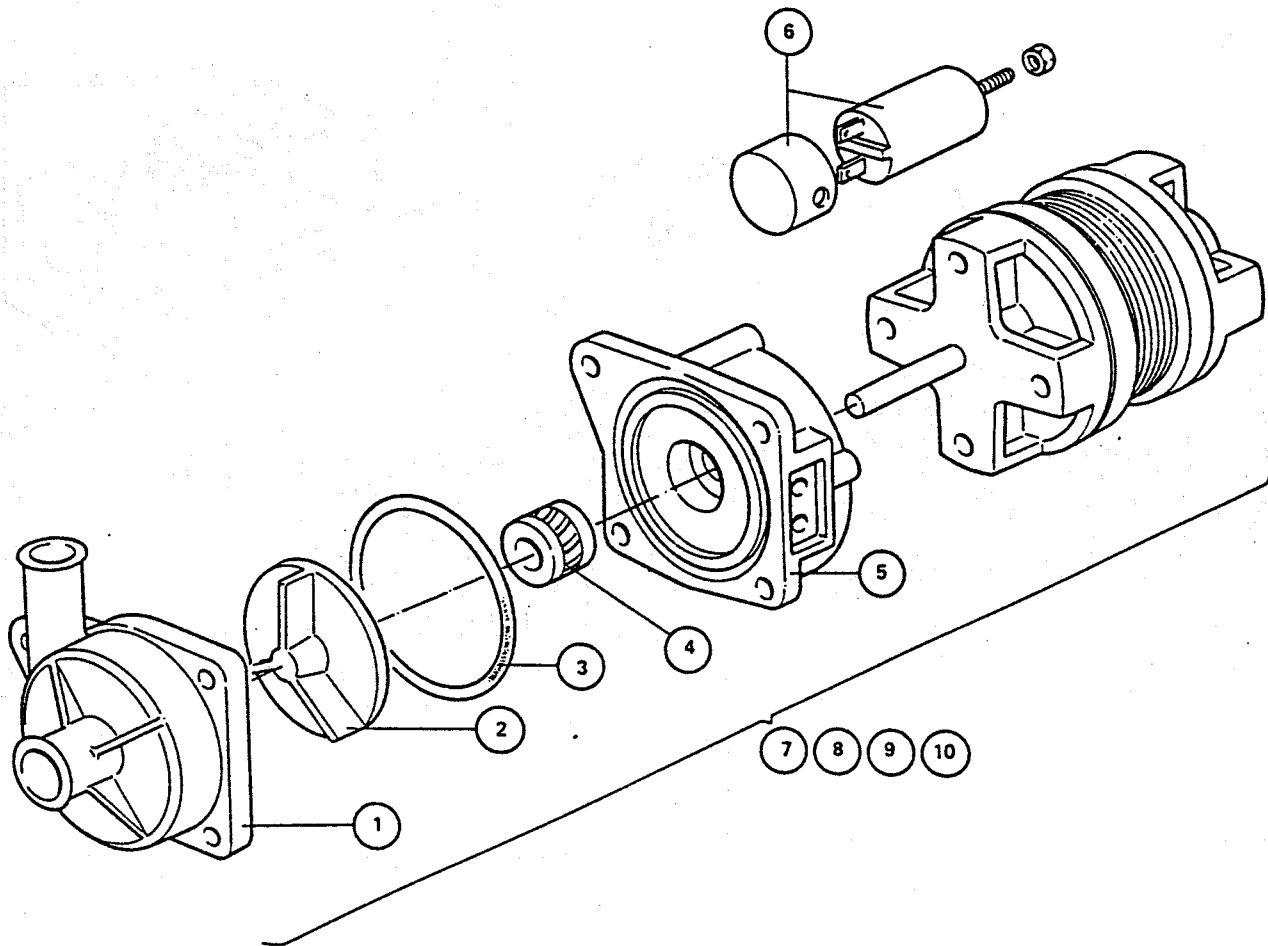
P. O. S.	M	CODICE	DESCRIZIONE	DENOMINATION	DESCRIPTION	BEZEICHNUNG
1	B11-12	700809 X	GUARNIZIONE OR	O-RING	O-RING	O-RING
2	B10	170809 X	MANIGLIA	POIGNEE	DOOR HANDLE	TURGRIFF
2	B11-12	170808 X	MANIGLIA	POIGNEE	DOOR HANDLE	TURGRIFF
3	B11-12	130420 X	PULSANTE "CICLO"	BOUTON CYCLE	WASH CYCLE SWITCH	SCHALTER WASCHZYKLUSS
3	B11-12	130419 X	PULSANTE "RISC. FREDDO"	BOUTON RINCAGE FROID	COLD RINSE SWITCH	SCHALTER
4	B11-12	330841 X	BUSSOLA PULSANTE	DOUILLE	BUSHING	BUCHSE
6	B11-12	190629 X	BUSSOLA ASTA	DOUILLE	BUSHING	BUCHSE
7	B11-12	341232	ASTA COMANDO MICRO	AXE MICRO	SAFETY SWITCH ROD	DRUCKSTANGE
8		181303	TRAPPOLA ARIA	CAPUCHON AIR	AIR TRAP	LUFTFALLE
9	B11-12	200431 X	GUARNIZIONE PERNO	JOINT	GASKET	DICHTUNG
10	B11-12	450215 X	MOLLA ASTA MICRO	RESSORT	SPRING	FEDER
11	B11-12	180125 Y	GHIERA IN PLASTICA	EMBOUT	LOCK NUT	GEWINDERING
12	B11-12	200416 X	GUARNIZIONE	JOINT	GASKET	DICHTUNG
13	B11-12	190119	SUPPORTO MICRO	SUPPORT	SUPPORT	SUPPORT
14	B11	120323 X	MICRO "RISCIACQUO FREDDO"	MICRO INTERRUPTEUR	MICRO SWITCH	ENDSCHALTER
15	B11-12	120323 Y	MICRO "CICLO"	MICRO INTERRUPTEUR	MICRO SWITCH	ENDSCHALTER
16		130605 X	PRESSOSTATO	PRESSOSTAT	PRESSURE SWITCH	DRUCKWACHTER
17		450125	FASCETTA ELASTICA	COLLIER	CLAMP	SCHELLE
18		200353	TUBO PRESSOSTATO	TUYAU PRESSOSTAT	PRESS. SWITCH HOSE	DRUCKWÄCHTERSCHLAUCH
19		120509 X	TERMOSTATO VASCA	THERMOSTAT CUVE	TANK THERMOSTAT	DRUCKWÄCHTERSCHLAUCH
20		150818	PRESSACAVO	PROTECTION GAINE	CABLE HOLDER	KABELDURCHLASS
21		200415	GUARNIZIONE	JOINT	GASKET	DICHTUNG
22	B12	120332 X	MICRO "RISCIACQUO FREDDO"	MICRO INTERRUPTEUR	MICRO SWITCH	ENDSCHALTER



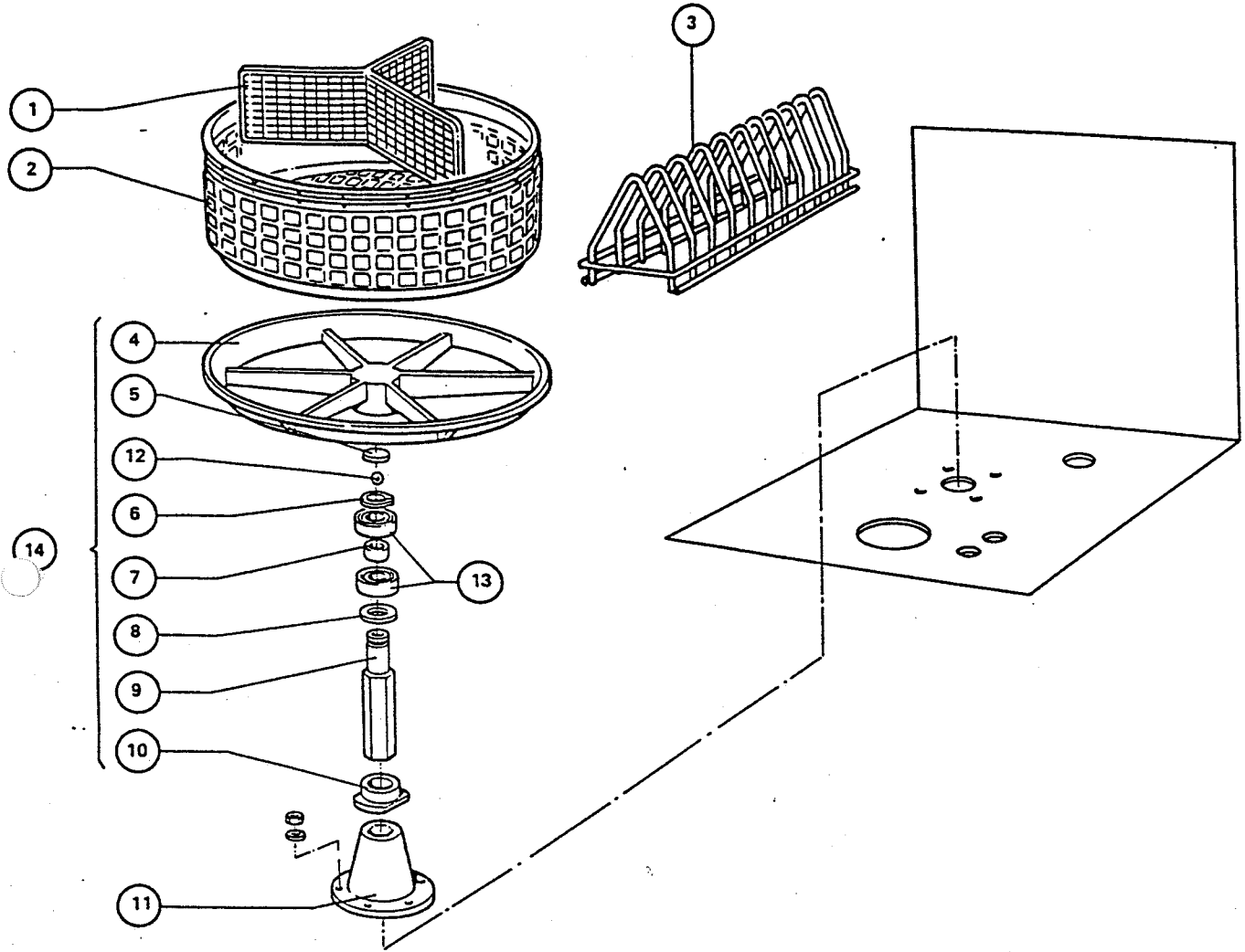
P O S.	M	CODICE	DESCRIZIONE	DENOMINATION	DESCRIPTION	BEZEICHNUNG
1		640209	ADDOLCITORE	ADOUCCISSEUR	WATER SOFTENER	ENTKALKER
2		450103	FASCETTA Ø 13+20	COLLIER	CLAMP	SCHLAUCHSCHELLE
3		200122	TUBO Ø 12,5 x 20	DURITE	RUBBER HOSE	SCHLAUCHSCHELLE
4		180226	FLANGIA ALLACCIAM.	FLASQUE	PLATE	GUMMISCHLAUCH
5		200714	TUBO CARICO	TUYAU	FILL HOSE	FLANSCH
6		190202	PIPETTA ELETTROV.	COUDE ELECTROVANNE	HOSE FOR SOLENOID VALVE	EINLAUFSCHLAUCH
7		330756	SQUADRETTA	EQUERRE	BRACKET	KNIESTÜCK
8		630901	BOBINA ELETTROV.	BOBINE ELECTROV.	SOLENOID	WINKEL
9		120144	ELETT.COMPLETA ADDOLC.	ELECTROVANNE COMPLETE	SOLENOID VALVE COMPLETE	SPULE
10		631302	CONTENITORE SALE	CONTAINER SEL	SALT CONTAINER	E-VENTIL KOMPLETT
11		200454	GUARNIZIONE	JOINT	GASKET	SALZBEHÄLTER
12		200604	PIPETTA ADDOLCIT.	COUDE ADOUCISSEUR	HOSE	DICHTUNG
13		450102	FASCETTA Ø 11+17	COLLIER	CLAMP	KNIESTÜCK
14		120142	ELETTROVALVOLA COMPLETA	ELECTROVANNE COMPLETE	SOLENOID VALVE COMPLETE	SCHLAUCHSCHELLE
15		630969	BOBINA ELETTROV.	BOBINE ELECTROV.	SOLENOID	E-VENTIL KOMPLETT
						SPULE



P O S.	M	CODICE	DESCRIZIONE	DENOMINATION	DESCRIPTION	BEZEICHNUNG
1		460714	TARGA COMANDI	PANNEAU	CONTROL PANEL	SCHALTAFEL
2		130136	LAM. SPIA "IN FUNZIONE"	LAMPE TEMOIN	INDICATOR LAMP	LEUCHTLAMPE
3		130135	LAM. SPIA "PRONTA"	LAMPE TEMOIN	INDICATOR LAMP	LEUCHTLAMPE
4		130134	LAM. SPIA "ACCESA"	LAMPE TEMOIN	INDICATOR LAMP	LEUCHTLAMPE
5		460776	TARGHETTA	PLAQUETTE	PLATE	LEUCHTLAMPE
6		450316	MANOPOLA	POIGNEE	KNOB	SCHILD
7		440817	ANELLO ELASTICO	ANNEAU RESORT	SNAP RING	KNEBEL
8		130423	PULSANTE RIGENER.	BOUTON	PUSH BUTTON	FEDERSPERRING
9		160733	TAPPO	BOUCHON	PLUG	DRUCKTASTE
10		460775	TARGHETTA MARCHIO	PLAQUE	NAME PLATE	DRUCKTASTE
11		190117	SUPPORTO CONTEN.	SUPPORT	SUPPORT	PFROPFEN
12		260237	VITE TCP BRUNITA M5 x 25	VIS	SCREW	MARKENSCHILD
13		190809	CONTENIT. BRILLANT.	CONTAINER PROD. RINC.	RINSE AID CONT	HALTERUNG
14		120225	TIMER 120"	PROGRAMMATEUR	TIMER	SCHRAUBE
15		120214	TIMER RIGENERAZ.	PROGRAMMATEUR	TIMER	GLANZMITTELBEHÄLTER
16		320671	PIASTRA SUPP. TIMER	SUPPORT	SUPPORT	ZEITSCHALTER
17		120712	INTERRUTT. GENERALE	INTERRUPTEUR	SWITCH	ZEITSCHALTER
18		160742	TAPPO CON SIMBOLO	BOUCHON - MODELE	MACHINE SYMBOL	SUPPORT
						EINSCHALTER
						MODELL BEZEICHNUNG



P O S.	M	CODICE	DESCRIZIONE	DENOMINATION	DESCRIPTION	BEZEICHNUNG
1		630120	CHIOCCIOLA	ESCARGOT	VOLUTE	PUMPENGEHAUSE
2		631632	GIRANTE 50 Hz GIRANTE 60 Hz	TURBINE TURBINE	IMPELLER IMPELLER	LAUFRAD LAUFRAD
3		200834	GUARNIZIONE OR	O-RING	O-RING	O-RING
4		630501	TENUTA MECCANICA	JOINT PRESSE ETOUPE	PUMP SEAL	AXIALDICHTUNG
5		630234	COPERCHIO	COUVERCLE	COVER	SCHILD
6		631208	CONDENSATORE 5 μ F	CONDENSATEUR	CONDENSER	KONDENSATOR
7		100628	POMPA 0,12 HP 220V/50 Hz	POMPE	PUMP	PUMPE
8		100661	POMPA 0,12 HP 240V/50 Hz	POMPE	PUMP	PUMPE
9			POMPA 0,12 HP 250V/50 Hz	POMPE	PUMP	PUMPE
10		100662	POMPA 0,12 HP 220V/60 Hz	POMPE	PUMP	PUMPE



P O S.	M	CODICE	DESCRIZIONE	DENOMINATION	DESCRIPTION	BEZEICHNUNG
1		520612	INSERTO	INTERCALAIRE	INSERT	EINSATZ
2		660703	CESTELLO	PANIER	RACK	KORB
3		520621	INSERTO PIATTINI	INTERCALAIRE SOUS-COUPES	INSERT FOR SMALL PLATES	KLEINTELLEREINSATZ
		170307	CERCHIO PORTACEST.	PORTE PANIER	RACK SUPPORT	KORBTRAGER
		260529	RONDELLA	RONDELLE	WASHER	GLEITRING
6		440809	ANELLO D'ARRESTO	SEEGER	SNAP RING	SEEGER
7		330817	DISTANZIALE	ENTRETOISE	SPACER	DISTANZRING
8		160825	RONDELLA	RONDELLE	WASHER	GLEITRING
9		340472	ALBERINO	AXE	SPINDLE	WELLE
10		180110	GHIERA	EMBOUT	LOCK NUT	KLEMMRING
11		190105	COLONNINA	COLONNE	SUPPORT	TRAGERHALTERUNG
12		410118	SFERA	BILLE	BALL	KUGEL
13		410115	CUSCINETTO	ROULEMENT	BALL BEARING	KUGELLAGER
14		620203	GRUPPO CERCHIO	PORTE PANIER COMPL.	RACK SUPP. ASSEMBLY	KORBTRAGEREINHEIT