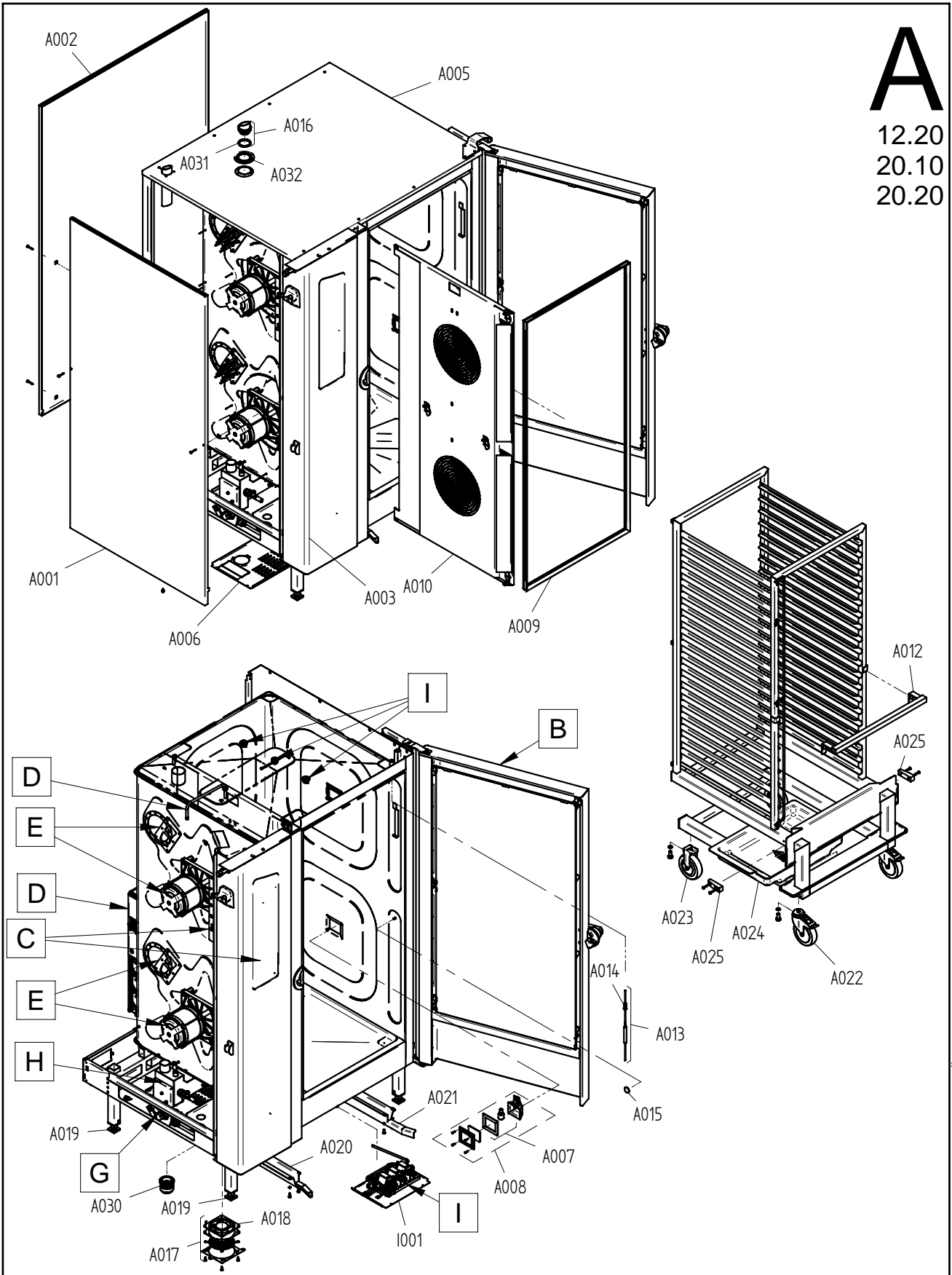


Ersatzteilzeichnung Außengehäuse Standgeräte P3 Spare part drawing outer casing floor units P3

ETZ A - AG 567 P3 1 / 1

A
12.20
20.10
20.20



Art. Nr. 9825277_00 | 14.7.2009 | Änderungen vorbehalten! Changes excepted!

| | |
|-------------------------|---------------------------------------|
| gültig ab / valid from: | Vorgängerversion / previous version: |
| gültig bis / valid to: | Nachfolgeversion / follow-up version: |

Enodis
Talstraße 35
D- 82436 Egfling | Germany

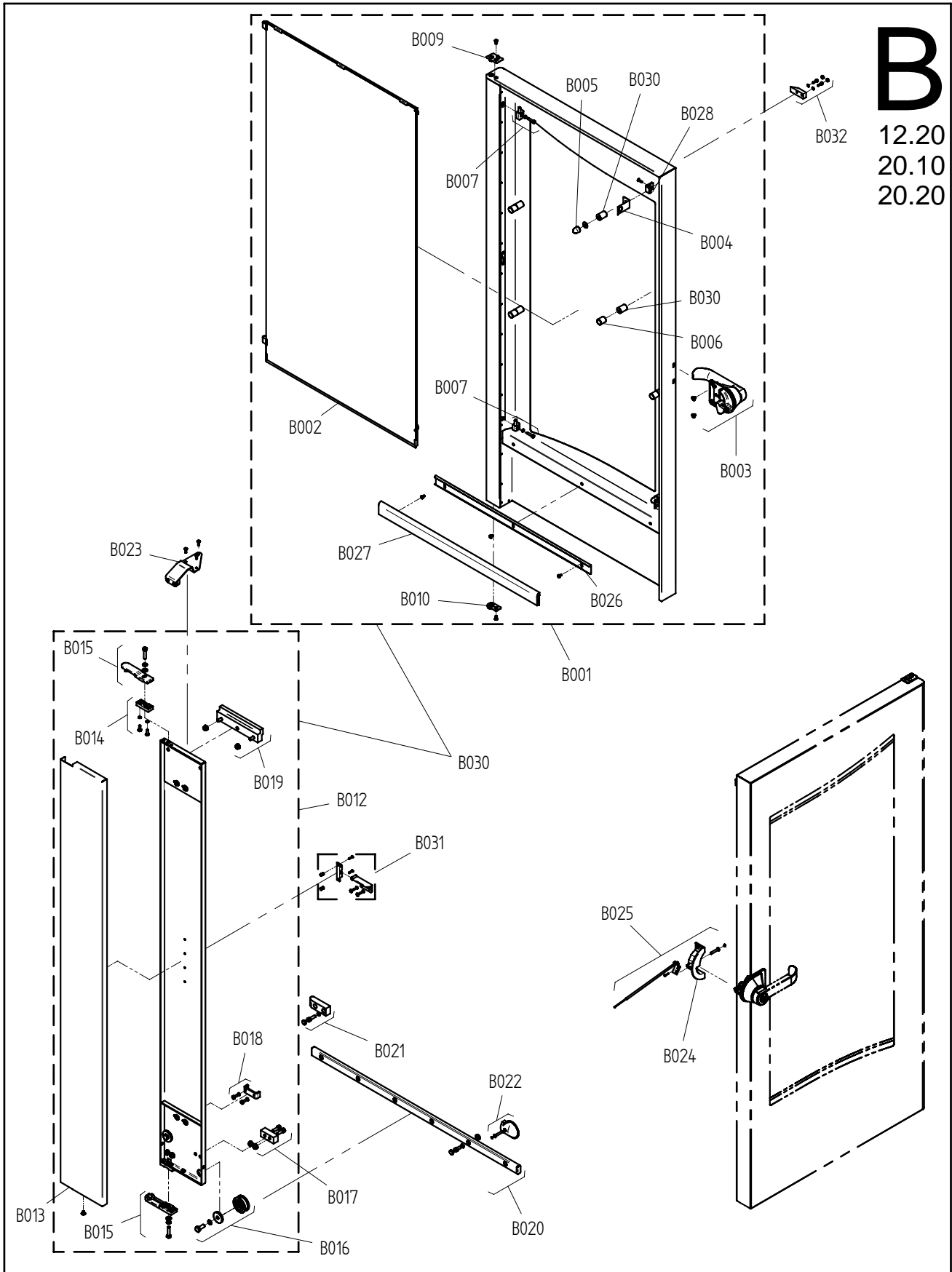
Tel. +49(0)8847/67-0
Fax +49(0)8847/414
info@hotairsteamer.com



Ersatzteilzeichnung Tür Standgeräte P3 Spare part drawing door floor units P3

ETZ B - Tür 567 P3 1 / 1

B
12.20
20.10
20.20



Art. Nr. 9825281_00 | 14.7.2009 | Änderungen vorbehalten! Changes excepted!

| | |
|-------------------------|---------------------------------------|
| gültig ab / valid from: | Vorgängerversion / previous version: |
| gültig bis / valid to: | Nachfolgeversion / follow-up version: |

Enodis
Talstraße 35
D- 82436 Egfling | Germany

Tel. +49(0)8847/67-0
Fax +49(0)8847/414
info@hotairsteamer.com

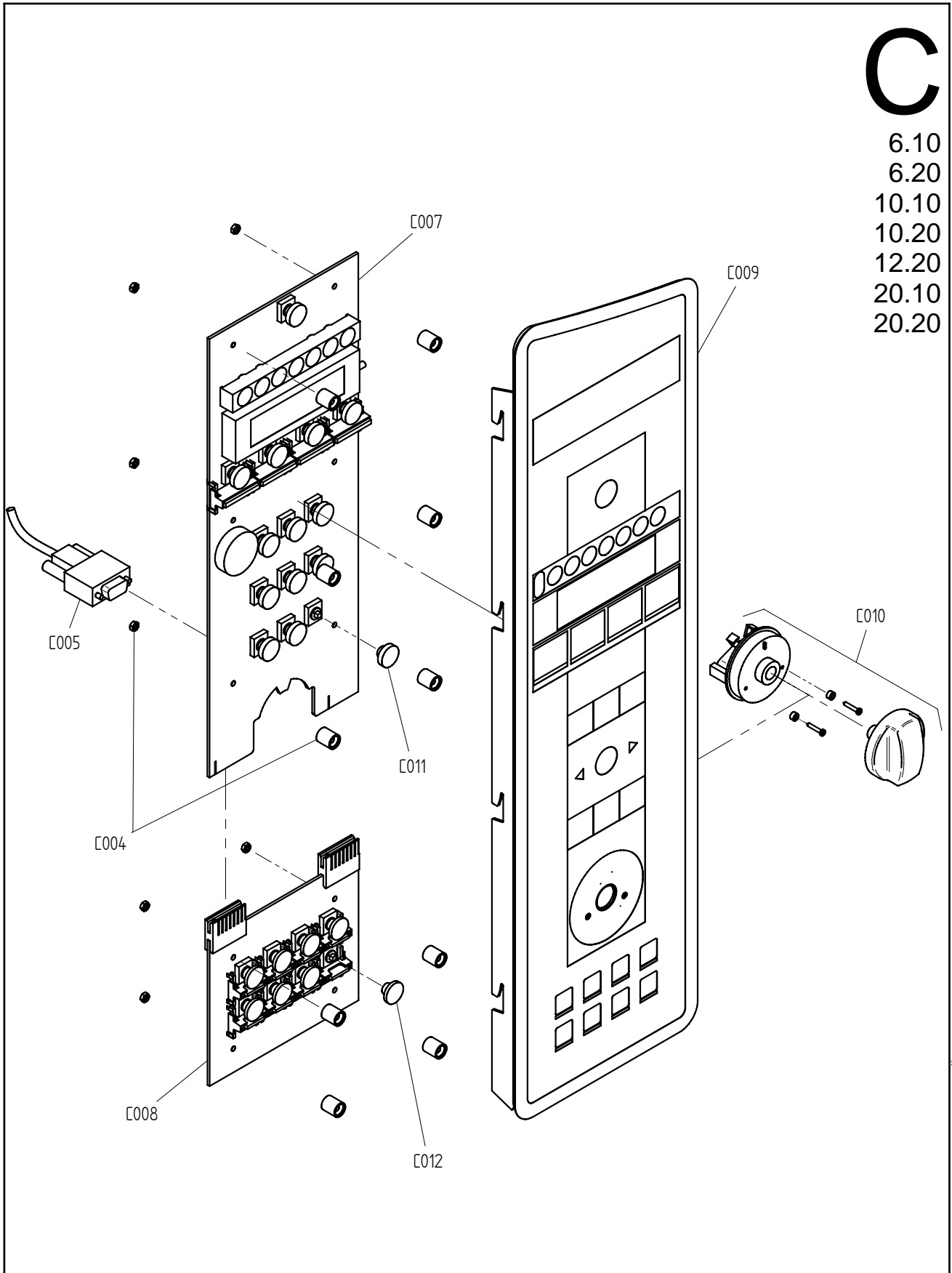


Ersatzteilzeichnung Bedienblende P3 Spare part drawing operating panel P3

ETZ C - BM P3 1 / 1

C

6.10
6.20
10.10
10.20
12.20
20.10
20.20



Art. Nr. 9825283_00 | 14.7.2009 | Änderungen vorbehalten! Changes excepted!

| | |
|-------------------------|---------------------------------------|
| gültig ab / valid from: | Vorgängerversion / previous version: |
| gültig bis / valid to: | Nachfolgeversion / follow-up version: |

Enodis
Talstraße 35
D- 82436 Egfling | Germany

Tel. +49(0)8847/67-0
Fax +49(0)8847/414
info@hotairsteamer.com

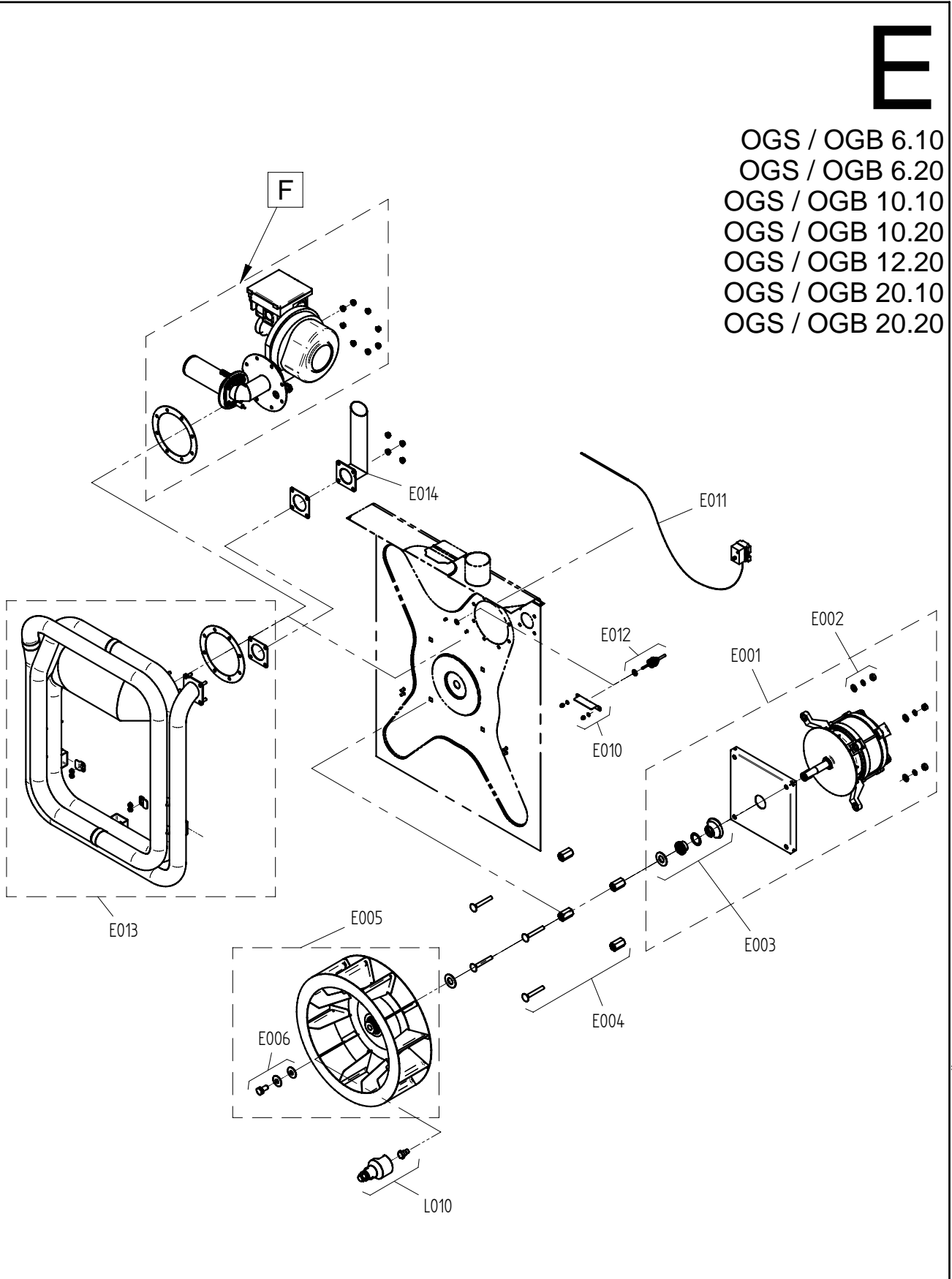


Ersatzteilzeichnung Heissluffterzeugung Gas P3
Spare part drawing gas heating system P3

ETZ E - HL-Heizung GAS P3 1 / 1

E

OGS / OGB 6.10
OGS / OGB 6.20
OGS / OGB 10.10
OGS / OGB 10.20
OGS / OGB 12.20
OGS / OGB 20.10
OGS / OGB 20.20



Art. Nr. 9825297_00 | 14.7.2009 | Änderungen vorbehalten! Changes excepted!

| | |
|-------------------------|---------------------------------------|
| gültig ab / valid from: | Vorgängerversion / previous version: |
| gültig bis / valid to: | Nachfolgeversion / follow-up version: |

Enodis
Talstraße 35
D- 82436 Egfling | Germany

Tel. +49(0)8847/67-0
Fax +49(0)8847/414
info@hotairsteamer.com

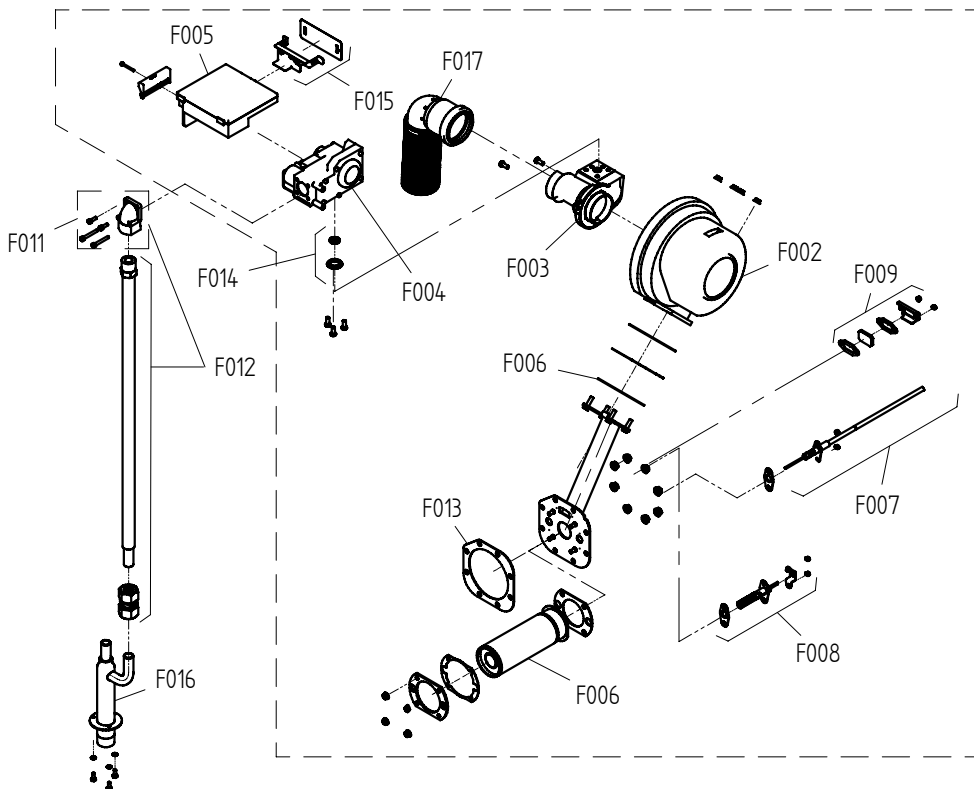
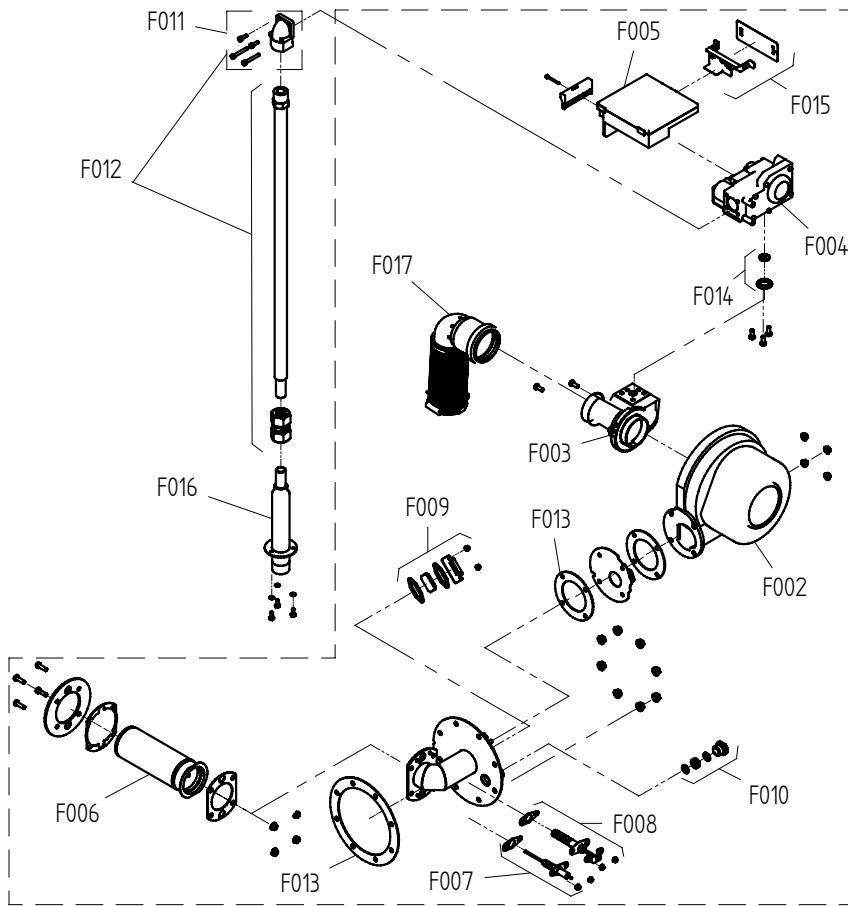


Ersatzteilzeichnung Gas Brenneinheit P3 Spare part drawing gas burner unit P3

ETZ F - Brenneinheit GAS P3 1 / 1

F

Heissluftheizung /
hot air heating
OGS / OGB 6.10
OGS / OGB 6.20
OGS / OGB 10.10
OGS / OGB 10.20
OGS / OGB 12.20
OGS / OGB 20.10
OGS / OGB 20.20



Dampferzeuger /
steam generator
OGB 6.10
OGB 6.20
OGB 10.10
OGB 10.20
OGB 12.20
OGB 20.10
OGB 20.20

Art. Nr. 9825300_00 | 14.7.2009 | Änderungen vorbehalten! Changes excepted!

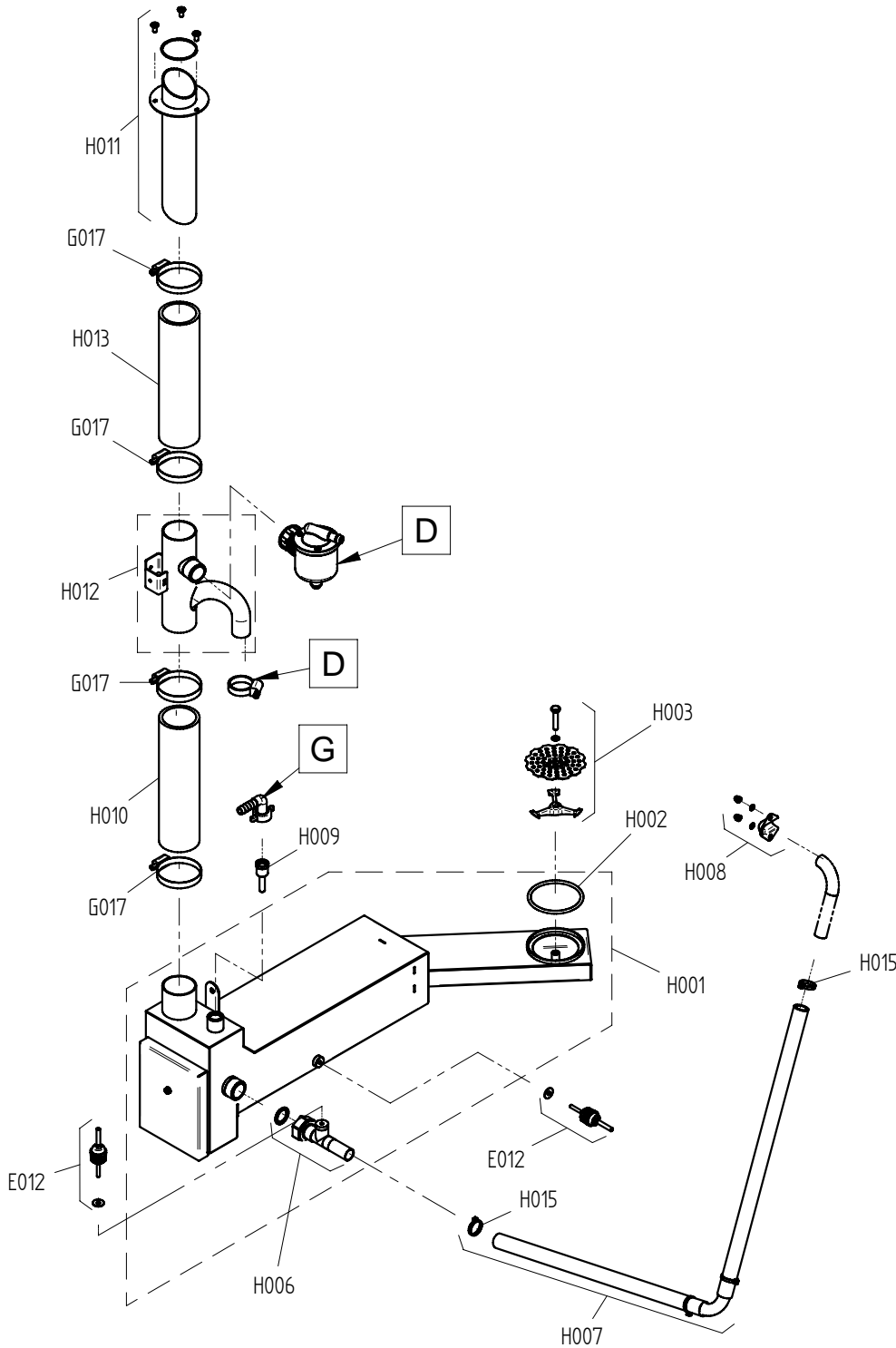
gültig ab / valid from:
gültig bis / valid to:

Vorgängerversion / previous version:
Nachfolgeverson / follow-up version:

Ersatzteilzeichnung Abwasserentsorgung Standgeräte P3 Spare part drawing sewage disposal floor units P3

ETZ H - Abwasser 567 P3 1 / 1

H
12.20
20.10
20.20



Art. Nr. 9825308_00 | 14.7.2009 | Änderungen vorbehalten! Changes excepted!

| | |
|-------------------------|---------------------------------------|
| gültig ab / valid from: | Vorgängerversion / previous version: |
| gültig bis / valid to: | Nachfolgeversion / follow-up version: |

Enodis
Talstraße 35
D- 82436 Eglfing | Germany

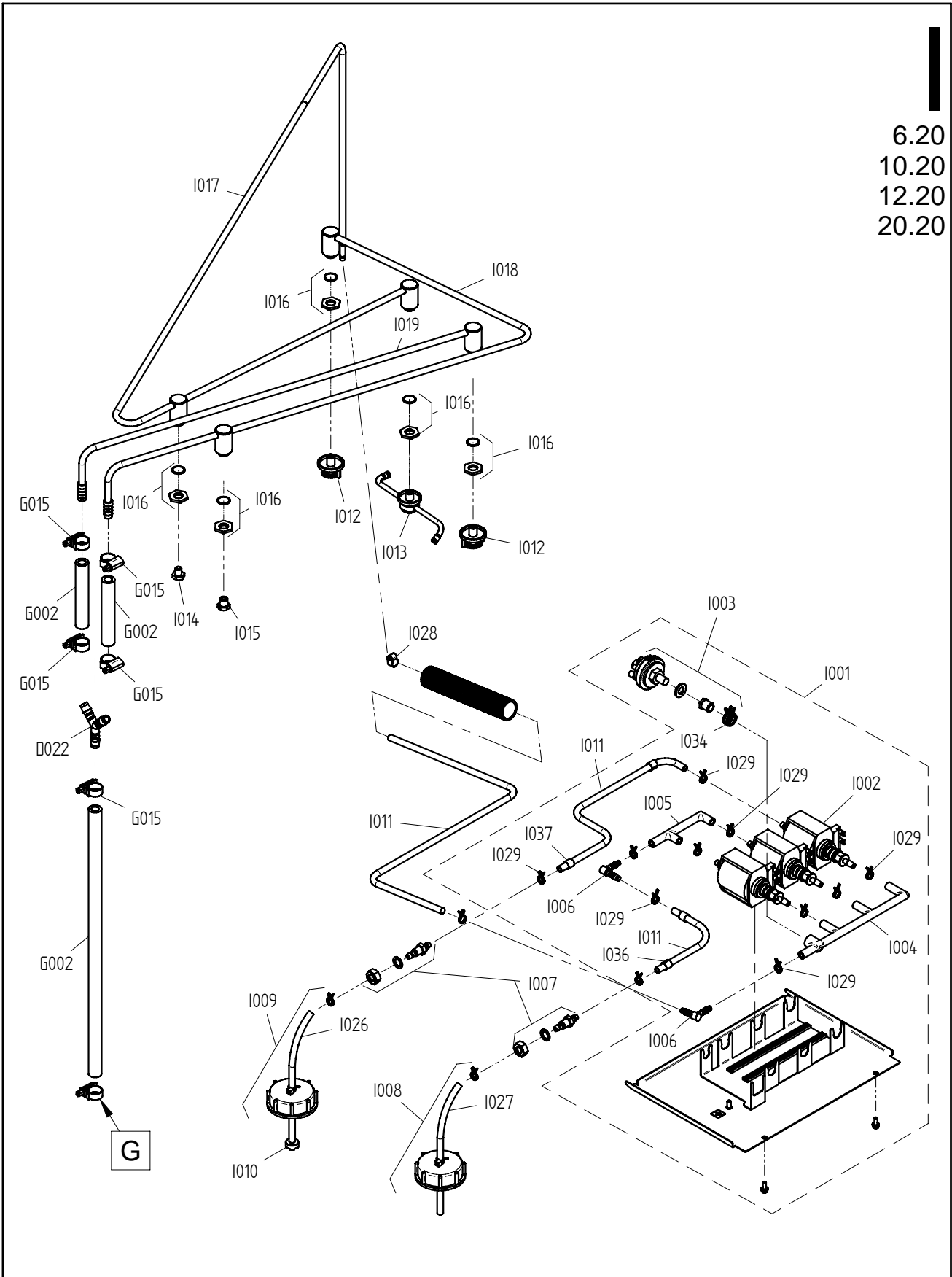
Tel. +49(0)8847/67-0
Fax +49(0)8847/414
info@hotairsteamer.com



Ersatzteilzeichnung CONVOClean system P3 Spare part drawing CONVOClean system P3

ETZ I - CC 2457 P3 1 / 1

6.20
10.20
12.20
20.20



Art. Nr. 9825312_00 | 14.7.2009 | Änderungen vorbehalten! Changes excepted!

| | |
|-------------------------|---------------------------------------|
| gültig ab / valid from: | Vorgängerversion / previous version: |
| gültig bis / valid to: | Nachfolgeversion / follow-up version: |

Enodis
Talstraße 35
D- 82436 Egfling | Germany

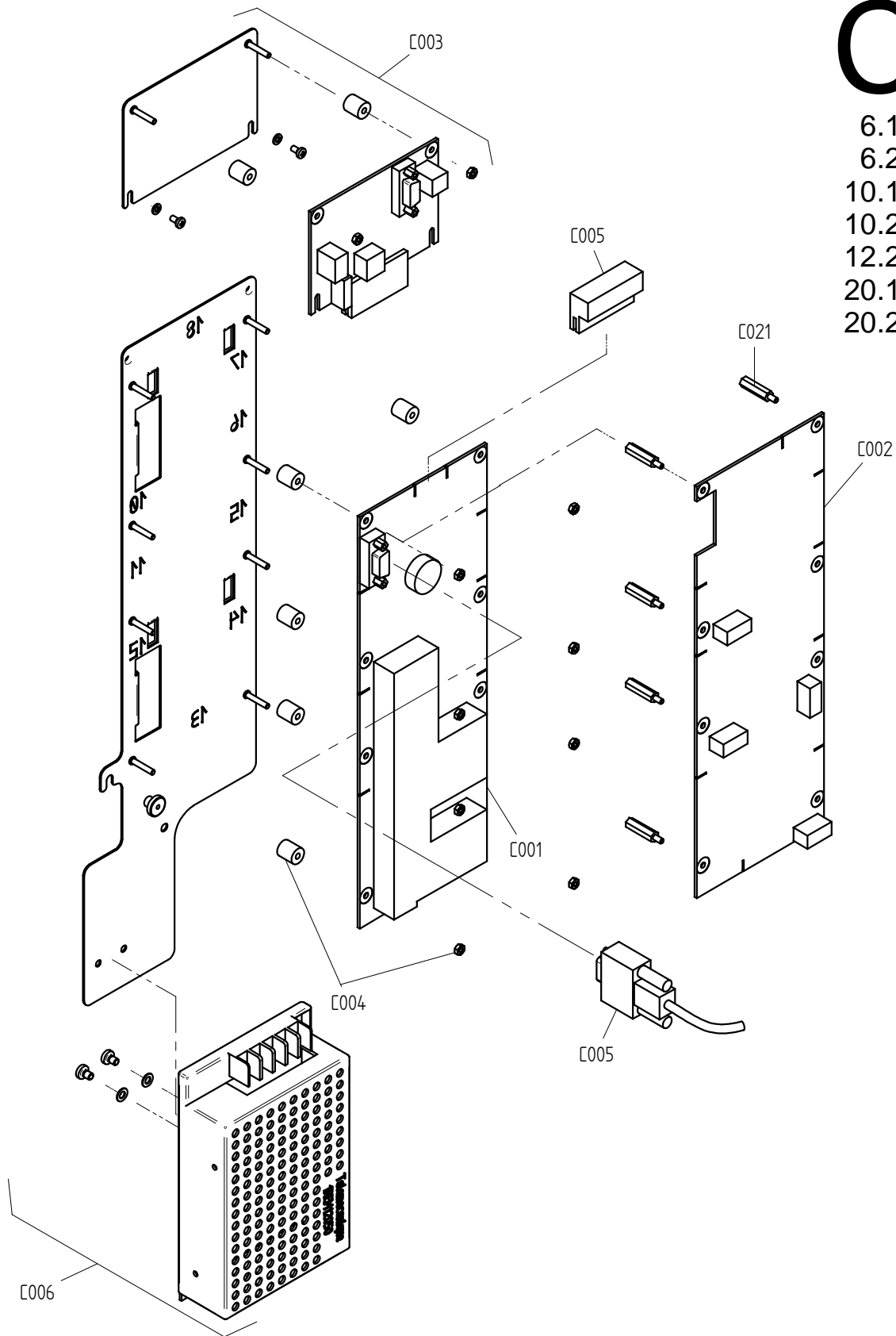
Tel. +49(0)8847/67-0
Fax +49(0)8847/414
info@hotairsteamer.com



Ersatzteilzeichnung Steuerung P3 Spare part drawing control boards P3

ETZ C - SM GM NT kpl P3 1 / 1

C
6.10
6.20
10.10
10.20
12.20
20.10
20.20



Art. Nr. 9825326_00 | 09.03.2010 | Änderungen vorbehalten! Changes excepted!

gültig ab / valid from: 12.02.2010
gültig bis / valid to:

Vorgängerversion / previous version: 9825282
Nachfolgeversion / follow-up version:

Enodis
Talstraße 35
D- 82436 Eglfing | Germany

Tel. +49(0)8847/67-0
Fax +49(0)8847/414
info@hotairsteamer.com

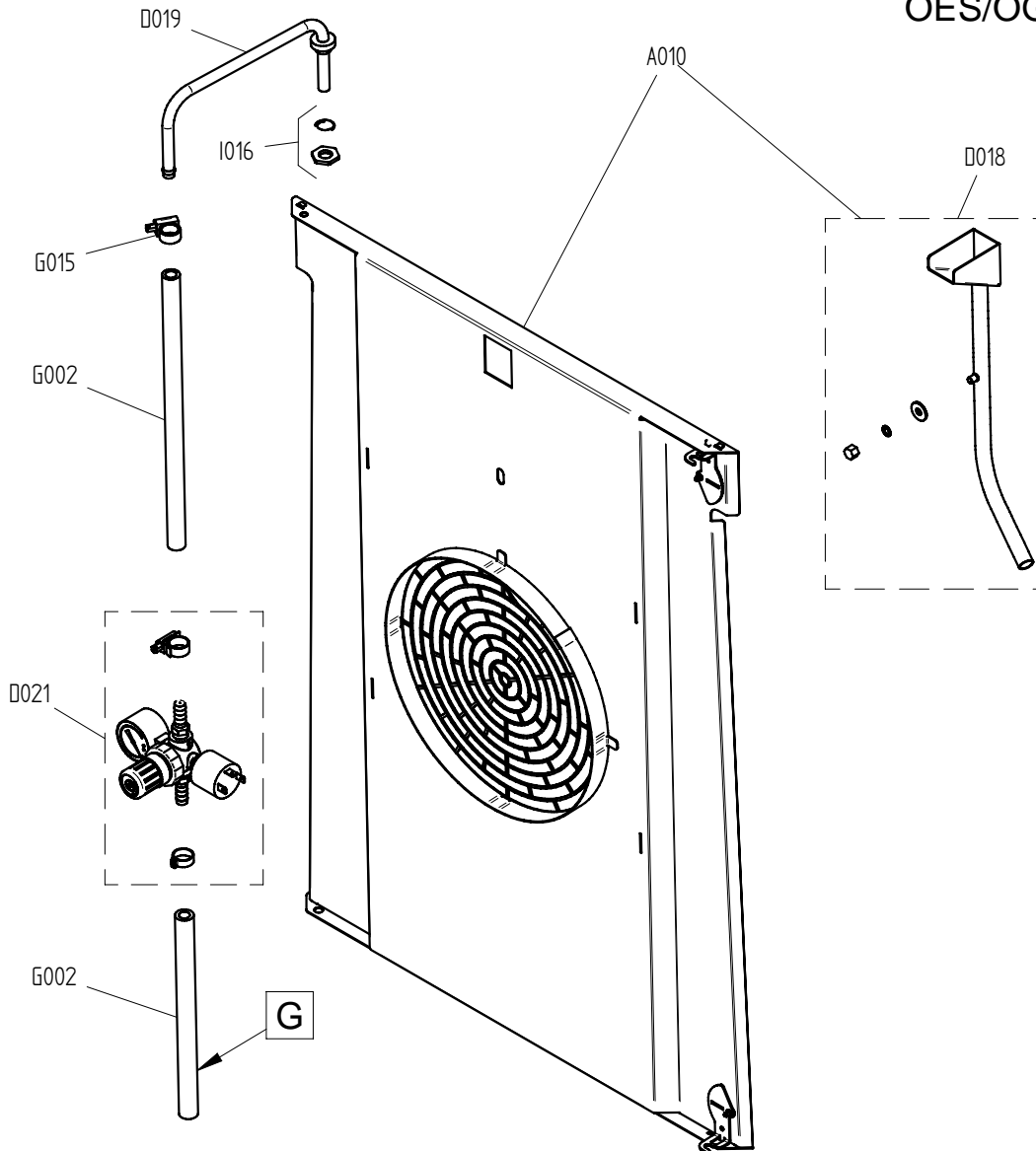


Ersatzteilzeichnung Einspritzung einfach P3
Spare part drawing single injection P3

ETZ D - IN einfach P3 1 / 1

D

OES/OGS 6.10
OES/OGS 6.20
OES/OGS 10.10
OES/OGS 10.20
OES/OGS 12.20



Art. Nr. 9826500_01 | 3.2.2010 | Änderungen vorbehalten! Changes excepted!

gültig ab / valid from: 03.09.2009
gültig bis / valid to:

Vorgängerversion / previous version: 9825292
Nachfolgeversion / follow-up version:

Enodis
Talstraße 35
D- 82436 Egfling | Germany

Tel. +49(0)8847/67-0
Fax +49(0)8847/414
info@hotairsteamer.com



| | | |
|------|------------|---|
| A001 | - 2117415 | - Left side panel 12.20 P3 |
| A002 | - 2117435 | - Rear panel OES/OEB/OGS 12.20 |
| A003 | - 2115445 | - Front section 12.20 P3 |
| A004 | - 2114635 | - Rear left corner section 12.20 P3 |
| A005 | - 2115455 | - Cover OGB 12.20 |
| A006 | - 2119228 | - Condenser cover P3 |
| A007 | - 2618779 | - 230V 25W light bulb set with seal |
| A008 | - 2618780 | - Oven-compartment light set including reflector |
| A009 | - 7011006 | - Door hygienic plug-in gasket 12.20 P3 |
| A010 | - 2224938 | - Suction panel OES/OGS 12.20 for fan wheel, diameter 385 mm P3 |
| A012 | - 3310394 | - Handle for loading trolley 12.20/20.20 P3 |
| A013 | - 5013001 | - Multipoint core temperature sensor with screw connection P3 |
| A014 | - 6015026 | - Seal for core temperature sensor P3 |
| A015 | - 2004035 | - Cable holder for core temperature sensor |
| A016 | - 2608962 | - Low pressure cutout P3 |
| A017 | - 2216090 | - Secondary fan P3 with fixing accessories |
| A018 | - 5018040 | - Secondary fan P3 |
| A019 | - 6014042 | - Appliance foot for P3 free-standing appliances, adjustable height |
| A020 | - 2115477 | - Left wheel-in rail 12.20/20.20 P3 |
| A021 | - 2115476 | - Right wheel-in rail 12.20/20.20 P3 |
| A022 | - 6014051 | - Fixed castor for loading trolley P3 |
| A023 | - 6014052 | - Swivel castor for loading trolley with brake function P3 |
| A024 | - 3015001 | - Condensate collecting tray 12.20/20.20 P3 |
| A025 | - 2004234 | - Wheel-in ramp for loading trolley P3 |
| A029 | - 7003066 | - Gasket 9x3mm |
| A030 | - 5016001K | - Cable gland M25 |
| A031 | - 6005068 | - 44x5 mm seal for low pressure cutout P3 |
| A032 | - 6005427 | - Grommet, diameter 83 (DG 60) |
| B001 | - 2520414 | - Door assembly 12.20 P3 |
| B003 | - 2525040 | - Door handle P3 Hygienic antibacterial w.fixing accessories |
| B004 | - 6015249 | - Catch for interior door of free-standing appliances P3 |
| B005 | - 2014005 | - Silicon door clip P3 |
| B006 | - 6015200 | - Door spacer P3 |
| B009 | - 2014007 | - Hinge plate for top of door P3 |
| B010 | - 2014003 | - Hinge plate for bottom of door P3 |
| B012 | - 2614803 | - Slide panel assembly for disappearing door 12.20 P3 |
| B013 | - 2123273 | - Slide panel cover for disappearing door 12.20 P3 |
| B014 | - 2619152 | - Catch block on slide panel for disappearing door P3 with fixing accessories |
| B015 | - 2523667 | - Top and bottom hinge arm P3 with fixing accessories |
| B016 | - 2619141 | - Guide roller for disappearing door P3 with fixing accessories |
| B017 | - 2619156 | - Retaining block for disappearing door P3 with fixing accessories |
| B018 | - 2619153 | - Door stop for disappearing door P3 with fixing accessories |
| B019 | - 2619154 | - Support bar for disappearing door P3 with fixing accessories |
| B020 | - 2619139 | - Guide rail for disappearing door 20.10 P3 with fixing accessories |
| B021 | - 2619155 | - Guide strip for disappearing door P3 with fixing accessories |
| B022 | - 2117280 | - Buffer for disappearing door P3 with fixing accessories |
| B023 | - 2614750 | - Guide fixing bracket for door on free-standing appliances P3 |
| B024 | - 2216070 | - Door catch block P3 with fixing accessories |
| B025 | - 2518798 | - Door contact switch OES mini |
| B026 | - 2514385 | - Channel for crosswise door gasket 12.20/20.20 P3 |
| B027 | - 7001077 | - Crosswise door gasket 12.20/20.20 P3 |
| B028 | - 6015204 | - Brace for door on free-standing appliances P3 |
| B029 | - 6015201 | - Door spacer pin P3 |
| B030 | - 2619146 | - slide panel 12.20 P3 including guide rail and fixing accessories |
| B033 | - 6002056 | - Plastic plug for door latch |
| C001 | - 5019406 | - 5010 controller for SM control module P3 |
| C004 | - 2618785 | - Fixing accessories for controller P2 P3 OES mini |
| C005 | - 5009304 | - Connecting cable between control module and operating module P2 P3 |
| C006 | - 2619973 | - Retrofit kit for supply module (P2, P3, OES mini) |
| C007 | - 5019300 | - 5010 controller for BM operating module P3 |
| C008 | - 5019304 | - 5010 controller for PG Press&Go module P3 |
| C009 | - 2117302 | - Press&Go CONVOTHERM front panel OES/OGS |
| C010 | - 5009320 | - Adjusting switch assembly for operating module P2 P3 OES mini |
| D018 | - 2224954 | - Injector J-distributor OES/OGS 12.20 with fixing accessories |
| D019 | - 2016308 | - Injection pipe OES/OGS 6.20/10.20/12.20/20.20 |
| D021 | - 2226367 | - pressure regulator w. nozzle 0.7mm, pr. switch and pr. gage OES/OGS 12.20 |
| D022 | - 6015400 | - Pipe Y-connector 3/8" |
| E001 | - 2617285 | - Motor 380/415V 10.20/12.20/20.20 P3 with reduced fan speed |
| E002 | - 2617294 | - Set of fixing parts for motor and fan P3 |
| E003 | - 2617295 | - Set of seals for motor shaft P3 |
| E004 | - 2625109 | - Set of motor pins P3 |
| E005 | - 2625187 | - Fan wheel, diameter 385 mm P3 with fixing accessories |
| E006 | - 2617293 | - Set of fan fixing parts P3 |
| E010 | - 2217279 | - Shielding plate for oven sensor OES/OGS 10.20/12.20/20.20 |

E011 - 5001041 - Oven thermal cutout (340°C)
 E012 - 5016014K - Thermocouple sensor P3 / OES mini
 E013 - 2617318 - Convector heat exchanger OGS/OGB 10.20/12.20/20.20 ex. burner unit, + fix. access.
 E014 - 2012204 - Gas flue pipe for convector OGS/OGB 12.20 insulated
 F001 - 2625983 - Burner unit assem. for convector OGS/OGB 10.20/12.20/20.20 with fix. accessories
 F002 - 5018001 - Burner fan RG148 230V P3
 F003 - 6016001 - Venturi 56kW P3
 F004 - 6016010 - Gas valve 230V P3
 F005 - 6016021 - Automatic firing device 230V (S4575B 3066)
 F006 - 2010015 - Burner Ø63M210 40kW P3
 F007 - 2617320 - Monitoring electrode OGS/OGB with fixing accessories
 F008 - 2617322 - Incandescence ignition electrode, long, OGS/OGB with fixing accessories
 F009 - 2617323 - Burner inspection window P3 with fixing accessories
 F010 - 2625120 - Burner cable gland with seal OGS/OGB
 F011 - 2625121 - Gas pipe connecting bracket P3 with fixing accessories
 F012 - 2616517 - Gas pipe 780mm long P3 with fixing accessories
 F013 - 2618162 - Set of gaskets for burner 30-40kW P3
 F014 - 2615312 - Natural gas conversion set E/G20 P3
 F014 - 2615313 - Butane-propane gas conversion set G30/G31 P3
 F014 - 2615315 - LPG P gas conversion set (Japan) P3
 F015 - 2618140K - Connector protective sheet f. automatic firing device P3 with mountg. bracket
 F016 - 2010065 - Single gas connection R3/4" P3
 F017 - 2615346 - Straight air intake pipe for burner P3
 G001 - 5011000 - Triple solenoid valve, straight 220/240V
 G001 - 5001059 - Single solenoid valve, straight 220/240V
 G002 - 7002033 - Hot water pipe 3/8"
 G003 - 5011003 - Water supply T-connector 2x3/4" 1x1/2" P3
 G004 - 2013002 - Dehumidifier nozzle P3
 G005 - 2216796 - Demoisturising tray cover P3
 G006 - 6015215 - Right-angle pipe connector 3/8" with washer
 G007 - 2016114 - Pipeline for hand-shower connection 12.20 P3
 G008 - 6014003 - Angle valve for hand shower 1/2" P3
 G009 - 6014006 - Rotary cap for angle valve 1/2" P3
 G010 - 7012072 - Hand-shower hose 6.10 / 6.20 / 12.20 / OES 6.10 mini / 10.10 mini
 G011 - 6005005 - Hand-shower hose, free-standing appliances P3
 G012 - 2002042 - Hand-shower holder, free-standing appliances P3
 G015 - 6006086 - Hose clip 12-22mm
 G017 - 6006089 - Hose clip 40-60mm
 H001 - 2012110K - Condenser for free-standing appliances P3 with fixing accessories
 H002 - 6015000 - Condenser seal P3
 H003 - 2425112 - Fixing parts for condenser P3
 H006 - 2016007K - Bypass measuring pipe P3 with fixing accessories
 H007 - 2016004K - Bypass pipe 12.20 P3 with fixing accessories
 H008 - 2217281 - Bypass cover P3 with fixing accessories
 H009 - 2012103 - Condenser quenching nozzle P3
 H010 - 7012004 - Air outlet tube 12.20 P3
 H011 - 2124581K - Air-outlet pipe end 20.10/20.20/OES/OGS 6.10/6.20/10.10/10.20 +fix.access.
 H015 - 4007087 - Heat-resistant cable tie, 140x3.6mm
 I001 - 2114508 - Floor cover panel for appliances without CONVOClean system P3
 I001 - 2617250 - Cleaner pump unit 230V free-standing appliances P3
 I002 - 5018028 - Cleaner pump CONVOClean system P3 / OES mini
 I003 - 2619149 - Pressure switch CONVOClean system 12.20/20.10/20.20 P3
 I004 - 6014000 - 3-way pipe connector CONVOClean system P3
 I005 - 6014001 - 2-way pipe connector CONVOClean system cleaner P3
 I006 - 6005414 - Right-angle pipe connector 6mm
 I007 - 2619150 - Partition screw connection CONVOClean system P3 / OES mini, 2 off
 I008 - 2617594 - Suction pipe, ConvoClean with suction lance P3
 I009 - 2617598 - Suction pipe, ConvoCare with suction lance P3
 I010 - 3007061 - Dirt filter for CONVOCare P3 / OES mini
 I011 - 7012302 - EPDM pipe 6x2mm
 I012 - 2611010 - Sprinkler nozzle, CONVOClean system P3 / OES mini
 I013 - 2611184 - Armature nozzle, CONVOClean system P3
 I014 - 2623282 - Set of cleaning nozzles, CONVOClean system P3 / OES mini
 I015 - 6005413 - Water nozzle, CONVOClean system P3
 I016 - 2625117 - Screw connection for pipes on cover (sealing washer and nut)
 I017 - 2016166 - Cleaner pipe, CONVOClean system 6.20/10.20/12.20 P3
 I018 - 2016164 - Water pipe, CONVOClean system, 2 nozzles 6.20/10.20/12.20/20.20 P3
 I019 - 2016162 - Water pipe, CONVOClean system, 1 nozzle 6.20/10.20/12.20/20.20 P3
 I028 - 6006122 - Hose clip 7-11mm
 I029 - 8009058 - Wire clip 10mm
 I032 - 6019100 - Adhesive label, cleaner connection P3
 I034 - 8019010 - Wire clip 16 mm
 I036 - 6019109 - CONVOClean adhesive label
 I037 - 6019111 - CONVOCare adhesive label
 K002 - 5018027K - Fan safety grill 120 mm, with fixing accessories

L004 - 7004008 - Loctite type 243e threadlocker

L006 - 7004020 - Silicon adhesive E 43

L007 - 7014005 - Copper paste

L009 - 7014004 - Aluminum insulating adhesive tape P3

L010 - 7015200 - Fan removal tool P3 with accessories

L011 - 7004018 - OKS 1120 lubricant

| | | |
|------|------------|---|
| A001 | - 2117415 | - Seitenwand links 12.20 P3 |
| A002 | - 2117435 | - Rückwand OES/OEB/OGS 12.20 |
| A003 | - 2115445 | - Frontteil 12.20 P3 |
| A004 | - 2114635 | - Eckteil hinten links 12.20 P3 |
| A005 | - 2115455 | - Decke OGB 12.20 |
| A006 | - 2119228 | - Abdeckung Kondensator P3 |
| A007 | - 2618779 | - Set Glühlampe 230V 25W mit Dichtung |
| A008 | - 2618780 | - Set Garraumleuchte komplett mit Reflektor |
| A009 | - 7011006 | - Hygienesteckdichtung Tür 12.20 P3 |
| A010 | - 2224938 | - Ansaugblech OES/OGS 12.20 für Lüfterrad Durchm. 385 mm P3 |
| A012 | - 3310394 | - Griff für Beschickungswagen 12.20/20.20 P3 |
| A013 | - 5013001 | - Mehrpunkt-Kerntemperaturfühler mit Verschraubung P3 |
| A014 | - 6015026 | - Dichtung für Kerntemperaturfühler P3 |
| A015 | - 2004035 | - Halterung für Kerntemperaturfühlerkabel |
| A016 | - 2608962 | - Unterdrucksicherung P3 |
| A017 | - 2216090 | - Zusatzlüfter P3 mit Montagematerial |
| A018 | - 5018040 | - Zusatzlüfter P3 |
| A019 | - 6014042 | - Gerätefuß für P3 Standgeräte, höhenverstellbar |
| A020 | - 2115477 | - Einfahrschiene links 12.20/20.20 P3 |
| A021 | - 2115476 | - Einfahrschiene rechts 12.20/20.20 P3 |
| A022 | - 6014051 | - Bockrolle für Beschickungswagen P3 |
| A023 | - 6014052 | - Lenkrolle für Beschickungswagen mit Stoppfunktion P3 |
| A024 | - 3015001 | - Kondensatauffangwanne Beschickungswagen 12.20/20.20 P3 |
| A025 | - 2004234 | - Einfahrkeil für Beschickungswagen P3 |
| A029 | - 7003066 | - Dichtungsband 9x3mm |
| A030 | - 5016001K | - Kabelverschraubung M25 |
| A031 | - 6005068 | - Dichtung 44x5 mm für Unterdrucksicherung P3 |
| A032 | - 6005427 | - Membrantülle Durchm. 83 (DG 60) |
| B001 | - 2520414 | - Tür 12.20 kompl. P3 |
| B003 | - 2525040 | - Türgriff P3 Hygienisch Antibakteriel m.Montageteile |
| B004 | - 6015249 | - Verschlussklammer Innentür Standgeräte P3 |
| B005 | - 2014005 | - Silikonfeder Tür P3 |
| B006 | - 6015200 | - Abstandhalter Tür P3 |
| B009 | - 2014007 | - Scharnierplatte für Türoberseite P3 |
| B010 | - 2014003 | - Scharnier-Rastplatte für Türunterseite P3 |
| B012 | - 2614803 | - Schlittenplatte Verschwindetür 12.20 kompl. P3 |
| B013 | - 2123273 | - Verkleidung Schlittenplatte Verschwindetür 12.20 P3 |
| B014 | - 2619152 | - Rasterklotz Schlittenplatte Verschwindetür P3 mit Montagematerial |
| B015 | - 2523667 | - Scharnierarm oben und unten P3 mit Montagematerial |
| B016 | - 2619141 | - Führungsrolle Verschwindetür P3 mit Montagematerial |
| B017 | - 2619156 | - Sicherungsklotz Verschwindetür P3 mit Montagematerial |
| B018 | - 2619153 | - Türanschlag Verschwindetür P3 mit Montagematerial |
| B019 | - 2619154 | - Stützleiste Verschwindetür P3 mit Montagematerial |
| B020 | - 2619139 | - Führungsschiene Verschwindetür 20.10 P3 mit Montagematerial |
| B021 | - 2619155 | - Führungsleiste Verschwindetür P3 mit Montagematerial |
| B022 | - 2117280 | - Anschlagpuffer Verschwindetür P3 mit Montagematerial |
| B023 | - 2614750 | - Führungsbügel Tür Standgeräte P3 |
| B024 | - 2216070 | - Türkloben P3 mit Montagematerial |
| B025 | - 2518798 | - Türkontaktschalter OES mini |
| B026 | - 2514385 | - Trägerprofil für Querdichtung Tür 12.20/20.20 P3 |
| B027 | - 7001077 | - Querdichtung Tür 12.20/20.20 P3 |
| B028 | - 6015204 | - Gegenhalter Tür Standgeräte P3 |
| B029 | - 6015201 | - Distanzbolzen Tür P3 |
| B030 | - 2619146 | - Schlittenplatte 12.20 P3 mit Führungsschiene und Montagematerial |
| B033 | - 6002056 | - Abdeckkappe für Drehhebelverschluß |
| C001 | - 5019406 | - Steuerung 5010 Steuermodul SM P3 |
| C004 | - 2618785 | - Montagezubehör für Steuerung P2 P3 OES mini |
| C005 | - 5009304 | - Verbindungskabel Steuermodul - Bedienmodul P2 P3 |
| C006 | - 2619973 | - Nachrüstset Versorgungsmodul (P2, P3, OES mini) |
| C007 | - 5019300 | - Steuerung 5010 Bedienmodul BM P3 |
| C008 | - 5019304 | - Steuerung 5010 Press&Go-Modul PG P3 |
| C009 | - 2117302 | - Frontblende OES/OGS Press&Go CONVOTHERM |
| C010 | - 5009320 | - Einstellwippe Bedienmodul komplett P2 P3 OES mini |
| D018 | - 2224954 | - J-Einspritzverteiler OES/OGS 12.20 mit Montagematerial |
| D019 | - 2016308 | - Einspritzrohr OES/OGS 6.20/10.20/12.20/20.20 |
| D021 | - 2226367 | - Druckregler m. Düse 0,7mm Druckschalter und Manometer OES/OGS 20.10 |
| D022 | - 6015400 | - Y-Schlauchverbinder 3/8" |
| E001 | - 2617285 | - Motor 380/415V 10.20/12.20/20.20 P3 mit reduzierter Lüfterleistung |
| E002 | - 2617294 | - Set Motorbefestigung und Lüfterradbefestigung P3 |
| E003 | - 2617295 | - Set Motorwellendichtung P3 |
| E004 | - 2625109 | - Set Motorbolzen P3 |
| E005 | - 2625187 | - Lüfterrad Durchm. 385 mm P3 mit Montagematerial |
| E006 | - 2617293 | - Set Lüfterradbefestigung P3 |
| E010 | - 2217279 | - Abschirmblech für Garraumfühler OES/OGS 10.20/12.20/20.20 |

E011 - 5001041 - Garraum-Sicherheitstemperaturbegrenzer (340°C)
 E012 - 5016014K - Thermoelementfühler P3 / OES mini
 E013 - 2617318 - HeißluftWärmetauscherOGS/OGB10.20/12.20/20.20ohne Brenneinheit,+Mont.mat.
 E014 - 2012204 - Abgasstutzen Heißluft OGS/OGB 12.20 isoliert
 F001 - 2625983 - Brenneinheit Heißluft OGS/OGB 10.20/12.20/20.20 kpl. mit Montagematerial
 F002 - 5018001 - Brennergebläse RG148 230V P3
 F003 - 6016001 - Venturi 56kW P3
 F004 - 6016010 - Gasventil 230V P3
 F005 - 6016021 - Feuerungsautomat 230V (S4575B 3066)
 F006 - 2010015 - Brenner Ø63M210 40kW P3
 F007 - 2617320 - Überwachungselektrode OGS/OGB mit Montagematerial
 F008 - 2617322 - Glühzündelektrode lang OGS/OGB mit Montagematerial
 F009 - 2617323 - Schauglas Brenner P3 mit Montagematerial
 F010 - 2625120 - Kabeldurchführung Brenner mit Dichtung OGS/OGB
 F011 - 2625121 - Anschlusswinkel Gasschlauch P3 mit Montagematerial
 F012 - 2616517 - Gasschlauch 780mm lang P3 mit Montagematerial
 F013 - 2618162 - Dichtungssatz für Brenner 30-40kW P3
 F014 - 2615313 - Gas-Umrüstset auf Butan-Propan G30/G31 P3
 F014 - 2615315 - Gas-Umrüstset auf LPG P (Japan) P3
 F014 - 2615312 - Gas-Umrüstset auf Erdgas E/G20 P3
 F015 - 2618140K - Steckerschutzfolie für Feuerungsautomat P3 mit Montagebügel
 F016 - 2010065 - Einzelgasanschluß R3/4" P3
 F017 - 2615346 - Luftansaugstrecke Brenner gerade P3
 G001 - 5001059 - Einfachmagnetventil gerade 220/240V
 G001 - 5011000 - Dreifachmagnetventil gerade 220/240V
 G002 - 7002033 - Heisswasserschlauch 3/8"
 G003 - 5011003 - T-Verbindungsstück WA 2x3/4" 1x1/2" P3
 G004 - 2013002 - Entfeuchtungsdüse P3
 G005 - 2216796 - Entfeuchtungswannen-Abdeckung P3
 G006 - 6015215 - Winkel-Schlauchanschluss 3/8" m. Dichtung
 G007 - 2016114 - Rohrleitung für Handbrauseanschluss 12.20 P3
 G008 - 6014003 - Eckventil für Handbrause 1/2" P3
 G009 - 6014006 - Drehkappe für Eckventil 1/2" P3
 G010 - 7012072 - Handbrauseschlauch 6.10 / 6.20 / 12.20 / OES 6.10 mini / 10.10 mini
 G011 - 6005005 - Handbrause Standgeräte P3
 G012 - 2002042 - Aufhängung Handbrause Standgeräte P3
 G015 - 6006086 - Schlauchbinder 12-22mm
 G017 - 6006089 - Schlauchbinder 40-60mm
 H001 - 2012110K - Kondensator Standgeräte P3 mit Montagematerial
 H002 - 6015000 - Dichtung Kondensator P3
 H003 - 2425112 - Befestigungsmaterial für Kondensator P3
 H006 - 2016007K - Bypassmeßrohr P3 mit Montagematerial
 H007 - 2016004K - Bypassleitung 12.20 P3 mit Montagematerial
 H008 - 2217281 - Bypassabdeckung P3 mit Montagematerial
 H009 - 2012103 - Ablöschdüse Kondensator P3
 H010 - 7012004 - Abluftschlauch 12.20 P3
 H011 - 2124581K - Abluftstutzen20.10/20.20/OES/OGS6.10/6.20/10.10/10.20 mit Montagematerial
 H015 - 4007087 - Kabelbinder hitzebeständig, 140x3,6mm
 I001 - 2114508 - Bodenabdeckung für Geräte ohne CONVOClean system P3
 I001 - 2617250 - Reinigerpumpeneinheit 230V Standgeräte P3
 I002 - 5018028 - Reinigerpumpe CONVOClean system P3 / OES mini
 I003 - 2619149 - Druckschalter CONVOClean system 12.20/20.10/20.20 P3
 I004 - 6014000 - Schlauchanschluss CONVOClean system 3fach P3
 I005 - 6014001 - Schlauchanschluss CONVOClean system Reiniger 2fach P3
 I006 - 6005414 - Winkel-Schlauchverbindungsstutzen 6mm
 I007 - 2619150 - Schottverschraubung CONVOClean system P3 / OES mini, 2 Stück
 I008 - 2617594 - Saugschlauch ConvoClean mit Ansauglanze P3
 I009 - 2617598 - Saugschlauch ConvoCare mit Ansauglanze P3
 I010 - 3007061 - Schmutzsieb für CONVOCare P3 / OES mini
 I011 - 7012302 - EPDM-Schlauch 6x2mm
 I012 - 2611010 - Sprinklerdüse CONVOClean system P3 / OES mini
 I013 - 2611184 - Rotordüse CONVOClean system P3
 I014 - 2623282 - Set Reinigerdüsen CONVOClean system P3 / OES mini
 I015 - 6005413 - Wasserdüse CONVOClean system P3
 I016 - 2625117 - Verschraubung für Rohrleitungen an Decke (Dichtung und Mutter)
 I017 - 2016166 - Rohrleitung Reiniger CONVOClean system 6.20/10.20/12.20 P3
 I018 - 2016164 - Rohrleitung Wasser CONVOClean system 2 Düsen 6.20/10.20/12.20/20.20 P3
 I019 - 2016162 - Rohrleitung Wasser CONVOClean system 1 Düse 6.20/10.20/12.20/20.20 P3
 I028 - 6006122 - Schlauchbinder 7-11mm
 I029 - 8009058 - Drahtschelle 10mm
 I032 - 6019100 - Aufkleber Reinigeranschluss P3
 I034 - 8019010 - Drahtschelle 16 mm
 I036 - 6019109 - Kennzeichnungsaufkleber CONVOClean
 I037 - 6019111 - Kennzeichnungsaufkleber CONVOCare
 K002 - 5018027K - Lüfterschutzgitter 120 mm mit Montagematerial

L004 - 7004008 - Sicherungsmittel Loctite Typ 243e

L006 - 7004020 - Silikonkleber E 43

L007 - 7014005 - Kupferpaste

L009 - 7014004 - Alu-Klebeband für Isolierung P3

L010 - 7015200 - Abzieher für Lüfterrad P3 mit Zubehör

L011 - 7004018 - Schmiermittel OKS 1120

A001 - 2117415 - Paroi latérale gauche 12.20 P3
 A002 - 2117435 - Panneau arrière OES/OEB/OGS 12.20
 A003 - 2115445 - Partie avant 12.20 P3
 A004 - 2114635 - Angle arrière gauche 12.20 P3
 A005 - 2115455 - Plafond OGB 12.20
 A006 - 2119228 - Capot Condenseur P3
 A007 - 2618779 - Kit lampe à incandescence 230V 25W avec joint
 A008 - 2618780 - Kit voyant d'enceinte de cuisson complet avec réflecteur
 A009 - 7011006 - Joint d'étanchéité emboité porte 12.20 P3
 A010 - 2224938 - Tôle d'aspiration OES/OGS 12.20 pour diam. ventilateur 385 mm P3
 A012 - 3310394 - Poignée pour chariot d'enfournement 12.20/20.20 P3
 A013 - 5013001 - Capteur de température à cœur multipoint avec presse-étoupe P3
 A014 - 6015026 - Joint pour capteur de température à cœur P3
 A015 - 2004035 - Support pour câble du capteur de température à cœur
 A016 - 2608962 - Limiteur de dépression P3
 A017 - 2216090 - Ventilateur d'appoint P3 avec sujétions de montage
 A018 - 5018040 - Ventilateur d'appoint P3
 A019 - 6014042 - Pied d'appareil pour appareils sur pieds P3, réglable en hauteur
 A020 - 2115477 - Rail gauche 12.20/20.20 P3
 A021 - 2115476 - Rail droit 12.20/20.20 P3
 A022 - 6014051 - Roulette pour chariot d'enfournement P3
 A023 - 6014052 - Roulette orientable pour chariot d'enfournement avec fonction arrêt P3
 A024 - 3015001 - Bac de collecte condensation chariot d'enfournement 12.20/20.20 P3
 A025 - 2004234 - Tasseau de centrage du chariot d'enfournement P3
 A029 - 7003066 - Joint-ruban 9x3 mm
 A030 - 5016001K - Presse-étoupe M25
 A031 - 6005068 - Joint 44x5 mm pour limiteur de dépression P3
 A032 - 6005427 - Diam. passe-tube 83 (DG 60)
 B001 - 2520414 - Porte 12.20 compl. P3
 B003 - 2525040 - Poignée de porte P3 avec sujétions de montage
 B004 - 6015249 - Loquet de fermeture porte intérieure appareils sur pieds P3
 B005 - 2014005 - Amortisseur silicone porte P3
 B006 - 6015200 - Ecarteur porte P3
 B009 - 2014007 - Plaque de charnière pour face supérieure porte P3
 B010 - 2014003 - Plaque de charnière à encliqueter pour face inférieure porte P3
 B012 - 2614803 - Plaque glissière porte escamotable 12.20 compl. P3
 B013 - 2123273 - Habillage plaque glissière porte escamotable 12.20 P3
 B014 - 2619152 - Cale d'encliquetage plaque glissière porte escamot.P3 +sujétions de montage
 B015 - 2523667 - Bras de charnière haut et bas P3 avec sujétions de montage
 B016 - 2619141 - Galet de guidage porte escamotable P3 avec sujétions de montage
 B017 - 2619156 - Cale de sécurité Porte escamotable P3 avec sujétions de montage
 B018 - 2619153 - Butée de porte Porte escamotable P3 avec sujétions de montage
 B019 - 2619154 - Baguette d'appui Porte escamotable P3 avec sujétions de montage
 B020 - 2619139 - Rail de guidage Porte escamotable 20.10 P3 avec sujétions de montage
 B021 - 2619155 - Barrette de guidage Porte escamotable P3 avec sujétions de montage
 B022 - 2117280 - Tampon de butée Porte escamotable P3 avec sujétions de montage
 B023 - 2614750 - Etrier de guidage Porte Appareils sur pieds P3
 B024 - 2216070 - Gâche de porte P3 avec sujétions de montage
 B025 - 2518798 - Contact porte OES mini
 B026 - 2514385 - Profilé dormant pour joint transversal Porte 12.20/20.20 P3
 B027 - 7001077 - Joint transversal Porte 12.20/20.20 P3
 B028 - 6015204 - Contre-support Porte Appareils sur pieds P3
 B029 - 6015201 - Boulon entretoise Porte P3
 B030 - 2619146 - plaque glissière 12.20 P3 avec rail de guidage et sujétions de mont.
 B033 - 6002056 - Chape pour poignée béquille
 C001 - 5019406 - Commande 5010 Module de commande SM P3
 C004 - 2618785 - Accessoires de montage pour commande P2 P3 OES mini
 C005 - 5009304 - Câble de liaison Module de commande - Module de service P2 P3
 C006 - 2619973 - Kit d'adaptation Module d'alimentation (P2, P3, OES mini)
 C007 - 5019300 - Commande 5010 Module de service BM P3
 C008 - 5019304 - Commande 5010 Module Press&Go PG P3
 C009 - 2117302 - Face avant OES/OGS Press&Go CONVOTHERM
 C010 - 5009320 - Touche de réglage à bascule Module de service complet P2 P3 OES mini
 D018 - 2224954 - Distributeur d'injection en J OES/OGS 12.20 avec accessoires de montage
 D019 - 2016308 - Tuyau d'injection OES/OGS 6.20/10.20/12.20/20.20
 D021 - 2226367 - régulateur de pr. +buse 0,7mm, interrupteur et manomètre OES/OGS 12.20
 D022 - 6015400 - Raccord Y pour tuyau 3/8"
 E001 - 2617285 - Moteur 380/415V 10.20/12.20/20.20 P3 avec puissance de ventilation réduite
 E002 - 2617294 - Kit fixation moteur et fixation ventilateur P3
 E003 - 2617295 - Kit garniture d'arbre moteur P3
 E004 - 2625109 - Jeu de boulons moteur P3
 E005 - 2625187 - Diam. ventilateur 385 mm P3 avec accessoires de montage
 E006 - 2617293 - Kit fixation ventilateur P3
 E010 - 2217279 - Tôle de protect.pour capteur d'enceinte de cuissonOES/OGS 10.20/12.20/20.20

E011 - 5001041 - Limiteur de température de sécurité de l'enceinte de cuisson (340°C)
 E012 - 5016014K - Capteur thermocouple P3 / OES mini
 E013 - 2617318 - Echangeur thermique air pulsé OGS/OGB 10.20/12.20/20.20 ss unité brûl.+access m.
 E014 - 2012204 - Conduite d'échappement d'air pulsé OGS/OGB 12.20 isolée
 F001 - 2625983 - Unité brûleur air pulsé OGS/OGB 10.20/12.20/20.20 compl.+ accessoires de mont.
 F002 - 5018001 - Ventilateur brûleur RG148 230V P3
 F003 - 6016001 - Venturi 56 kW P3
 F004 - 6016010 - Vanne gaz 230V P3
 F005 - 6016021 - Automatisme d'allumage 230V (S4575B 3066)
 F006 - 2010015 - Brûleur Ø63M210 40 kW P3
 F007 - 2617320 - Electrode de surveillance OGS/OGB avec accessoires de montage
 F008 - 2617322 - Electrode d'auto-allumage longue OGS/OGB avec accessoires de montage
 F009 - 2617323 - Voyant brûleur P3 avec accessoires de montage
 F010 - 2625120 - Passe-fil brûleur avec joint OGS/OGB
 F011 - 2625121 - Coude de raccordement tuyau gaz P3 avec accessoires de montage
 F012 - 2616517 - Tuyau de gaz longueur 780 mm P3 avec accessoires de montage
 F013 - 2618162 - Garniture d'étanchéité pour brûleur 30-40 kW P3
 F014 - 2615315 - Kit d'adaptation gaz à GPL P (Japon) P3
 F014 - 2615312 - Kit d'adaptation gaz à gaz naturel E/G20 P3
 F014 - 2615313 - Kit d'adaptation gaz à butane-propane G30/G31 P3
 F015 - 2618140K - Film de protec.de connecteur p.automatisme d'allumageP3 +étrier de montage
 F016 - 2010065 - Raccordement gaz individuel R3/4" P3
 F017 - 2615346 - Tube d'admission d'air brûleur droit P3
 G001 - 5011000 - Electrovanne triple droite 220/240V
 G001 - 5001059 - Electrovanne simple droite 220/240V
 G002 - 7002033 - Tuyau d'eau chaude 3/8"
 G003 - 5011003 - Raccord en T alimentation eau 2x3/4" 1x1/2" P3
 G004 - 2013002 - Buse de déshumidification P3
 G005 - 2216796 - Couvercle pour bacs de déshumidification P3
 G006 - 6015215 - Raccord coudé pour tuyau 3/8" avec joint
 G007 - 2016114 - Tuyau pour raccordement douchette 12.20 P3
 G008 - 6014003 - Vanne d'angle pour douchette 1/2" P3
 G009 - 6014006 - Capot pivotant pour vanne d'angle 1/2" P3
 G010 - 7012072 - Tuyau pour douchette 6.10 / 6.20 / 12.20 / OES 6.10 mini / 10.10 mini
 G011 - 6005005 - Douchette appareils sur pieds P3
 G012 - 2002042 - Accroche douchette appareils sur pieds P3
 G015 - 6006086 - Collier de tube 12-22 mm
 G017 - 6006089 - Collier de tube 40-60 mm
 H001 - 2012110K - Condenseur appareils sur pieds P3 avec accessoires de montage
 H002 - 6015000 - Joint condenseur P3
 H003 - 2425112 - Matériel de fixation pour condenseur P3
 H006 - 2016007K - Tube de mesurage en dérivation P3 avec accessoires de montage
 H007 - 2016004K - Ligne de dérivation 12.20 P3 avec accessoires de montage
 H008 - 2217281 - Capot pour dérivation P3 avec accessoires de montage
 H009 - 2012103 - Buse d'extinction condenseur P3
 H010 - 7012004 - Tuyau d'extraction d'air 12.20 P3
 H011 - 2124581K - Manchon d'évac.d'air20.10/20.20/OES/OGS6.10/6.20/10.10/10.20 +access.mont.
 H015 - 4007087 - Collier de câble résistant à la chaleur, 140x3,6mm
 I001 - 2617250 - Unité pompe à nettoyant 230V appareils sur pieds P3
 I001 - 2114508 - Couvre-sol pour appareils sans système CONVOClean P3
 I002 - 5018028 - Pompe à nettoyant système CONVOClean P3 / OES mini
 I003 - 2619149 - Pressostat système CONVOClean 12.20/20.10/20.20 P3
 I004 - 6014000 - Raccord pour tuyau système CONVOClean triple P3
 I005 - 6014001 - Raccord pour tuyau Nettoyant système CONVOClean double P3
 I006 - 6005414 - Manchon de raccordement de tube, coudé 6 mm
 I007 - 2619150 - Traversée de cloison système CONVOClean P3 / OES mini, 2 unités
 I008 - 2617594 - Tuyau d'aspiration ConvoClean avec lance d'aspiration P3
 I009 - 2617598 - Tuyau d'aspiration ConvoClean avec lance d'aspiration P3
 I010 - 3007061 - Crépine à impuretés pour CONVOCare P3 / OES mini
 I011 - 7012302 - Tuyau EPDM 6x2 mm
 I012 - 2611010 - Bec d'arroseur système CONVOClean P3 / OES mini
 I013 - 2611184 - Buse du rotor système CONVOClean P3
 I014 - 2623282 - Kit buses de nettoyage système CONVOClean P3 / OES mini
 I015 - 6005413 - Buse à eau système CONVOClean P3
 I016 - 2625117 - Raccord pour tuyaux au plafond (joint et écrou)
 I017 - 2016166 - Tuyau de nettoyant système CONVOClean 6.20/10.20/12.20 P3
 I018 - 2016164 - Tuyau d'eau système CONVOClean 2 buses 6.20/10.20/12.20/20.20 P3
 I019 - 2016162 - Tuyau d'eau système CONVOClean 1 buse 6.20/10.20/12.20/20.20 P3
 I028 - 6006122 - Collier pour tuyau 7-11 mm
 I029 - 8009058 - Collier de câble 10 mm
 I032 - 6019100 - Autocollant raccordement pour nettoyant P3
 I034 - 8019010 - Collier de câble 16 mm
 I036 - 6019109 - Autocollant d'identification CONVOClean
 I037 - 6019111 - Autocollant d'identification CONVOCare
 K002 - 5018027K - Grille de protection de ventilateur 120 mm avec matériel de fixation

L004 - 7004008 - Produit de protection Loctite Type 243e

L006 - 7004020 - Colle silicone E 43

L007 - 7014005 - Pâte à cuivre

L009 - 7014004 - Ruban adhésif alu pour isolation P3

L010 - 7015200 - Arrache-moyeux pour roue de ventilateur P3 avec accessoires

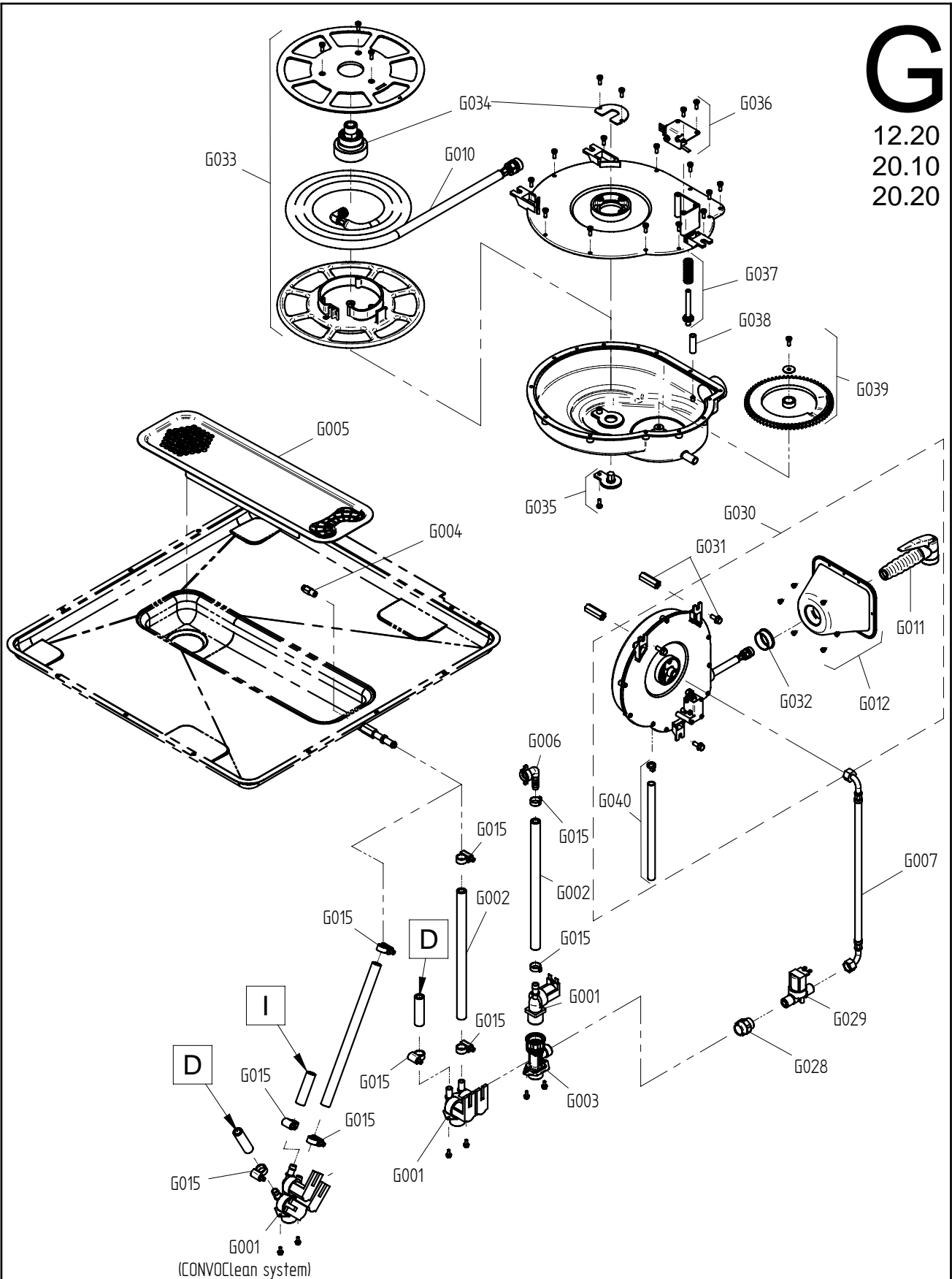
L011 - 7004018 - Lubrifiant OKS 1120

Ersatzteilzeichnung Wasserversorgung Standgeräte P3 Spare part drawing water supply floor units P3

ETZ G - WV 567 RHB P3 1 / 1

G

12.20
20.10
20.20



Art. Nr. 9825325_00 | 3.2.2010 | Änderungen vorbehalten! Changes excepted!

| | |
|------------------------------------|--|
| gültig ab / valid from: 01.02.2010 | Vorgängerversion / previous version: 9825301 |
| gültig bis / valid to: | Nachfolgerversion / follow-up version: |

English | Spare part list for model number 9825325

Deutsch | Ersatzteilliste für Artikelnummer 9825325

| Pos. | Item no. | name | Pos. | Art.Nr. | Bezeichnung |
|------|----------|---|------|----------|--|
| G001 | 5001059 | Single solenoid valve, straight 220/240V | G001 | 5001059 | Einfachmagnetventil gerade 220/240V |
| G001 | 5011000 | Triple solenoid valve, straight 220/240V | G001 | 5011000 | Dreifachmagnetventil gerade 220/240V |
| G001 | 5001080 | Dual solenoid valve, straight 220/240V | G001 | 5001080 | Doppelmagnetventil gerade 220/240V |
| G002 | 7002033 | Hot water pipe 3/8" | G002 | 7002033 | Heisswasserschlauch 3/8" |
| G003 | 5011003 | Water supply T-connector 2x3/4" 1x1/2" P3 | G003 | 5011003 | T-Verbindungsstück WA 2x3/4" 1x1/2" P3 |
| G004 | 2013002 | Dehumidifier nozzle P3 | G004 | 2013002 | Entfeuchtungsdüse P3 |
| G005 | 2216796 | Demoisturising tray cover P3 | G005 | 2216796 | Entfeuchtungswannen-Abdeckung P3 |
| G006 | 6015215 | Right-angle pipe connector 3/8" with washer | G006 | 6015215 | Winkel-Schlauchanschluss 3/8" m. Dichtung |
| G007 | 7012308 | Connecting pipe for retractable hand shower 12.20/20.10/20.20 P3 | G007 | 7012308 | Anschlusschlauch für Rollhandbrause 12.20/20.10/20.20 P3 |
| G010 | 6011019K | Hand-shower hose for retractable hand shower P3 | G010 | 6011019K | Brauseschlauch für Rollhandbrause P3 |
| G011 | 6011005 | Hand-shower for retractable hand shower P3 | G011 | 6011005 | Handbrause für Rollhandbrause P3 |
| G012 | 2625197 | Hand-shower holder for retractable hand shower 12.20/20.10/20.20 P3 | G012 | 2625197 | Handbrausehalter für Rollhandbrause 12.20/20.10/20.20 P3 |
| G015 | 6006086 | Hose clip 12-22mm | G015 | 6006086 | Schlauchbinder 12-22mm |
| G028 | 6015420 | Reducing socket 1/2"-3/8" for retractable hand shower | G028 | 6015420 | Reduziermuffe 1/2"-3/8" für Rollhandbrause P3 |
| G029 | 5011013 | Single solenoid valve 220/240V 3/8"-3/8" for retractable hand shower P3 | G029 | 5011013 | Einfachmagnetventil 220/240V 3/8"-3/8" für Rollhandbrause P3 |
| G030 | 6011020K | Retractable hand shower 12.20/20.10/20.20 P3 incl. fixing accessories | G030 | 6011020K | Rollhandbrause 12.20/20.10/20.20 P3 mit Montagematerial |
| G031 | 2625193 | Fixing accessories for retractable hand shower 12.20/20.10/20.20 P3 | G031 | 2625193 | Montageset für Rollhandbrause 12.20/20.10/20.20 kpl P3 |
| G032 | 6013062 | Sealing cap for retractable hand shower 12.20/20.10/20.20 P3 | G032 | 6013062 | Dichtmanschette für Rollhandbrause 12.20/20.10/20.20 P3 |
| G033 | 2625194 | Hose reel for retractable hand shower P3 incl. fixing accessories | G033 | 2625194 | Schlauchtrommel kpl. für Rollhandbrause P3 mit Montagematerial |
| G034 | 6011017K | Rotor for retractable hand shower P3 incl. fixing accessories | G034 | 6011017K | Drehdurchführung für Rollhandbrause P3 mit Montagematerial |
| G035 | 6011037K | Spring rewinder for retractable hand shower P3 | G035 | 6011037K | Federspanner für Rollhandbrause P3 |
| G036 | 2625195 | Micro switch for retractable hand shower P3 | G036 | 2625195 | Mikroschalter für Rollhandbrause P3 |
| G037 | 6011038K | Switch plunger for retractable hand shower P3 | G037 | 6011038K | Schaltstößel für Rollhandbrause P3 |
| G038 | 6011041 | Guide roller for retractable hand shower P3 | G038 | 6011041 | Umlenkrolle für Rollhandbrause P3 |
| G039 | 6011035K | Switch wafer for retractable hand shower P3 | G039 | 6011035K | Schaltsscheibe für Rollhandbrause P3 |
| G040 | 7012311K | Downpipe for retractable hand shower P3 | G040 | 7012311K | Ablaufschlauch für Rollhandbrause P3 |

Druckdatum/print date 24-2-2010

Français | liste de pièces de rechange du N° Model 9825325

Español | lista de piezas de recambio del N° model 9825325

| Pos. | N°art. | dénomination | Pos. | item no. | denominación |
|------|----------|--|------|----------|--|
| G001 | 5001059 | Electrovanne simple droite 220/240V | G001 | 5011000 | Válvula electromagnética triple recta 220/240 V |
| G001 | 5011000 | Electrovanne triple droite 220/240V | G001 | 5001080 | Válvula electromagnética doble recta 220/240 V |
| G001 | 5001080 | Electrovanne double droite 220/240V | G001 | 5001059 | Válvula electromagnética sencilla recta 220/240 V |
| G002 | 7002033 | Tuyau d'eau chaude 3/8" | G002 | 7002033 | Manguera para agua caliente 3/8" |
| G003 | 5011003 | Raccord en T alimentation eau 2x3/4" 1x1/2" P3 | G003 | 5011003 | Pieza de unión en T Conexión de agua 2x3/4" 1x1/2" P3 |
| G004 | 2013002 | Buse de déshumidification P3 | G004 | 2013002 | Boquilla deshumidificadora P3 |
| G005 | 2216796 | Couvercle pour bacs de déshumidification P3 | G005 | 2216796 | Cubierta de la bandeja de deshumidificación P3 |
| G006 | 6015215 | Raccord coudé pour tuyau 3/8" avec joint | G006 | 6015215 | Conexión de manguera acodada 3/8" con junta |
| G007 | 7012308 | Ligne de raccordement pour douchette à enrouleur 12.20/20.10/20.20 P3 | G007 | 7012308 | Tubería de conexión para ducha de mano enrollable 12.20/20.10/20.20 P3 |
| G010 | 6011019K | Tuyau pour douchette pour douchette à enrouleur P3 | G010 | 6011019K | Manguera de ducha de mano para ducha de mano enrollable P3 |
| G011 | 6011005 | Douchette pour douchette à enrouleur P3 | G011 | 6011005 | Ducha de mano para ducha de mano enrollable P3 |
| G012 | 2625197 | Support Douchette pour douchette à enrouleur 12.20/20.10/20.20 P3 | G012 | 2625197 | Soporte de ducha de mano p. ducha de mano enrollable 12.20/20.10/20.20 P3 |
| G015 | 6006086 | Collier de tube 12-22 mm | G015 | 6006086 | Brida de manguera 12-22 mm |
| G028 | 6015420 | Réduisant 1/2"-3/8" pour douchette à enrouleur P3 | G028 | 6015420 | Pasatabiques 1/2"-3/8" para ducha de mano enrollable P3 |
| G029 | 5011013 | Electrovanne 220/240V 3/8"-3/8" pour douchette à enrouleur P3 | G029 | 5011013 | Válvula electromagnética 220/240V 3/8"-3/8" p. ducha de mano enrollable P3 |
| G030 | 6011020K | Douchette à enrouleur 12.20/20.10/20.20 P3 avec accessoires de montage | G030 | 6011020K | Ducha de mano enrollable 12.20/20.10/20.20 P3 con accesorios de montaje |
| G031 | 2625193 | Accessoires de montage pour douchette à enrouleur 12.20/20.10/20.20 P3 | G031 | 2625193 | Accesorios de montaje para ducha de mano enrollable 12.20/20.10/20.20 P3 |
| G032 | 6013062 | Capuchon de joint pour douchette à enrouleur 12.20/20.10/20.20 P3 | G032 | 6013062 | Guarnición para ducha de mano enrollable 12.20/20.10/20.20 P3 |
| G033 | 2625194 | Tambour de tuyau p. douchette à enrouleur P3 avec accessoires de montage | G033 | 2625194 | Tambor de manguera p. ducha de mano enroll. P3 con accesorios de montaje |
| G034 | 6011017K | Raccord tournant p. douchette à enrouleur P3 avec accessoires de montage | G034 | 6011017K | Junta giratoria p. ducha de mano enrollable P3 con accesorios de montaje |
| G035 | 6011037K | Tenseur de ressort pour douchette à enrouleur P3 | G035 | 6011037K | Tensor de muelle para ducha de mano enrollable P3 |
| G036 | 2625195 | Microrupteur pour douchette à enrouleur P3 | G036 | 2625195 | Microinterruptor para ducha de mano enrollable P3 |
| G037 | 6011038K | Poussoir pour douchette à enrouleur P3 | G037 | 6011038K | Empujador para ducha de mano enrollable P3 |
| G038 | 6011041 | Poulie de guidage pour douchette à enrouleur P3 | G038 | 6011041 | Rodillo de guía para ducha de mano enrollable P3 |
| G039 | 6011035K | Came pour douchette à enrouleur P3 | G039 | 6011035K | Disco de leva para ducha de mano enrollable P3 |
| G040 | 7012311K | Tuyau d'écoulement pour douchette à enrouleur P3 | G040 | 7012311K | Manguera vertedor para ducha de mano enrollable P3 |

Druckdatum/print date 24-2-2010