

ITEM No	DESCRIPTION	E3117 (ON STAND)	E3121 3HP	E3121 4HP	E3101 & OTC 3HP	E3101 & OTC 4HP	E3161 3HP
1	CONTROL PANEL	SEE AA48634	734000015	734000017	SEE AA48634		SEE AA48635
2	DRIP TRAY	AA48634	734000016	734000018			
3	CIRCULAR HOTPLATE ASSEMBLY		N/A	730960114	N/A	730960114	
3.1	HOTPLATE C/W FIXING BRACKET		N/A	731400050	N/A	731400050	
3.2	ROUND HOTPLATE CASTING		N/A	730960101	N/A	730960101	
3.3	ROUND HOTPLATE FIXING BRACKET		N/A	730960115	N/A	730960115	
3.4	ROUND HOTPLATE COVER PLATE		N/A	730964160	N/A	730964160	
4	RECTANGULAR HOTPLATE ASSEMBLY	N/A	730960010				
4.1	RECTANGULAR HOTPLATE CASTING		731400110				
4.2	INNER ELEMENT		731400020				
4.3	INTERMEDIATE ELEMENT		731400030				
4.4	OUTER ELEMENT		731400040				
4.5	ELEMENT CLAMP PLATE		730960150				
4.6	HOTPLATE LAGGING BOX		730964060				
5	HOB REAR FLUE RAIL		532900017				
6	HOB FILLING		730960090				SEE AA48635
7	FRONT HOB RAIL		532900018				
8	LOWER CONTROL PANEL	N/A	535340001				
9	LEG ASSEMBLY		535400202				N/A
10	BOTTOM FRAME (NOT SHOWN)		535400204				
11	BOTTOM SHELF		535400203				
12	LH OR RH SIDE PANEL	N/A	535400190				N/A
13	S/S FOOT		535290028				
	CASTOR SWIVEL		534103055				
	CASTOR FIXED		530964350				
14	DRIP SHEDS LH OR RH		734000000				
17	6 POSITION HOTPLATE SWITCH		731400070				
18	6 POSITION HOTPLATE CONTROL KNOB	N/A	734000014				
19	RED MAINS INDICATOR NEON		731000008				
20	AMBER HEAT INDICATOR NEON		731000007				

PRODUCTION ISSUE

ISSUE	MOD No	ALTERATION	DRAWN BY	DATE
A	1284	PRODUCTION ISSUE	S. BROWN	01/06/11

IF IN DOUBT ASK DO NOT SCALE FIRST ANGLE PROJECTION

UNLESS OTHERWISE SPECIFIED: DIMENSIONS ARE IN MILLIMETERS TOLERANCES: LINEAR: ±0.5mm ANGULAR: ±0.5 DEG

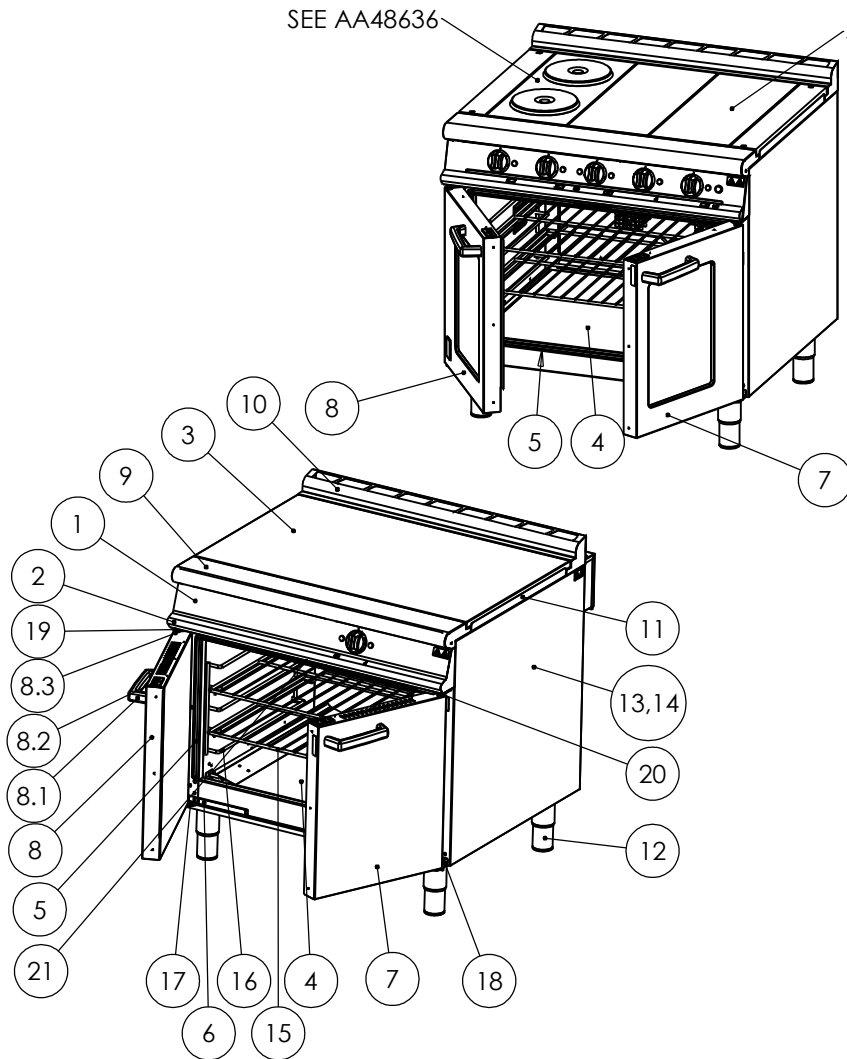
DEBUR AND BREAK SHARP EDGES

WEIGHT: g



DRAWN: S. BROWN	PRODUCT: E3121 BOILING TABLES
DATE: 01/06/11	TITLE: SPARES - B/TABLES, STAND & HOTPLATES
SCALE: 1:15	DRAWING NUMBER: AA48636
MATL:	ISSUE: A
THICKNESS:	FINISH:
BIN No:	PART No:

© NO REPRODUCTION OR PUBLICATION OF THIS DRAWING MAY BE MADE AND NO ARTICLE MAY BE MANUFACTURED OR ASSEMBLED IN ACCORDANCE WITH THIS DRAWING WITHOUT PRIOR WRITTEN CONSENT. THIS PROHIBITION IS A TERM OF ANY CONTRACT RELATING TO THIS DRAWING. RIGHTS RESERVED UNDER THE COPYRIGHT ACT 1956 AS AMENDED BY THE DESIGN COPYRIGHT ACT 1968



ITEM No	DESCRIPTION	E3101 3HP	E3101 4HP	E3117	E3101 OTC 3HP	E3101 OTC 3HP
1	CONTROL PANEL	734000003	734000007	734000011	734000005	734000009
2	DRIP TRAY	734000004	734000008	N/A	734000006	734000010
3	GP OVEN WORKTOP	N/A			535470002	
4	OVEN BASE PANEL ASSY	73420002			535300004	
5	OVEN DOOR SEAL	535200005			535210001	
6	OVEN DRIP TRAY LH OR RH	734000001			N/A	
7	OVEN DOOR ASSY RH	535290020			535300002	
	OVEN DOOR ASSY LH	535290021			535300003	
8	8.1 OVEN DOOR HANDLE	535290022				
	8.2 DOOR CATCH	535480054				
	8.3 DOOR HINGE BUSH	535480077				
9	FRONT HOB RAIL	532900018				
10	HOB REAR FLUE RAIL	532900017				
11	DRIP SHEDS LH OR RH	734000000				
12	S/S ADJUSTABLE LEG	535290028				
	CASTOR SWIVEL	530964350				
	CASTOR FIXED	534103055				
13	RH OUTER SIDE PANEL	535200001				
14	LH OUTER SIDE PANEL	535200000				
15	OVEN GRID SHELF	535290023				
16	OVEN SHELF HANGER	535200012				
17	BOTTOM OVEN DOOR HINGE LH	535200007				
18	BOTTOM OVEN DOOR HINGE RH	535200009				
19	TOP DOOR HINGE LH	535200006				
20	TOP DOOR HINGE RH	535200008				
21	OVEN DOOR LATCH & SHIM	535200013				

FOR OVEN ELECTRICS, SEE AA48719
 FOR HOB ELECTRICS, SEE AA48636
 FOR OTC OVEN ELECTRICS, SEE AA48637

PRODUCTION ISSUE

ISSUE	MOD No	ALTERATION	DRAWN BY	DATE
A	1284	PRODUCTION ISSUE	S. BROWN	01/06/11

IF IN DOUBT ASK
DO NOT SCALE
FIRST ANGLE PROJECTION



UNLESS OTHERWISE SPECIFIED:
DIMENSIONS ARE IN MILLIMETERS
TOLERANCES:
LINEAR: ±0.5mm
ANGULAR: ±0.5 DEG

DEBUR AND
BREAK SHARP EDGES

WEIGHT: 97272.85g



DRAWN: **S. BROWN**

DATE: **01/06/11**

SCALE: **1:15**

MATL:

THICKNESS:

BIN No:

PRODUCT

E3100 SERIES

**SPARES - OUTER PANELS
RANGES & GP OVENS**

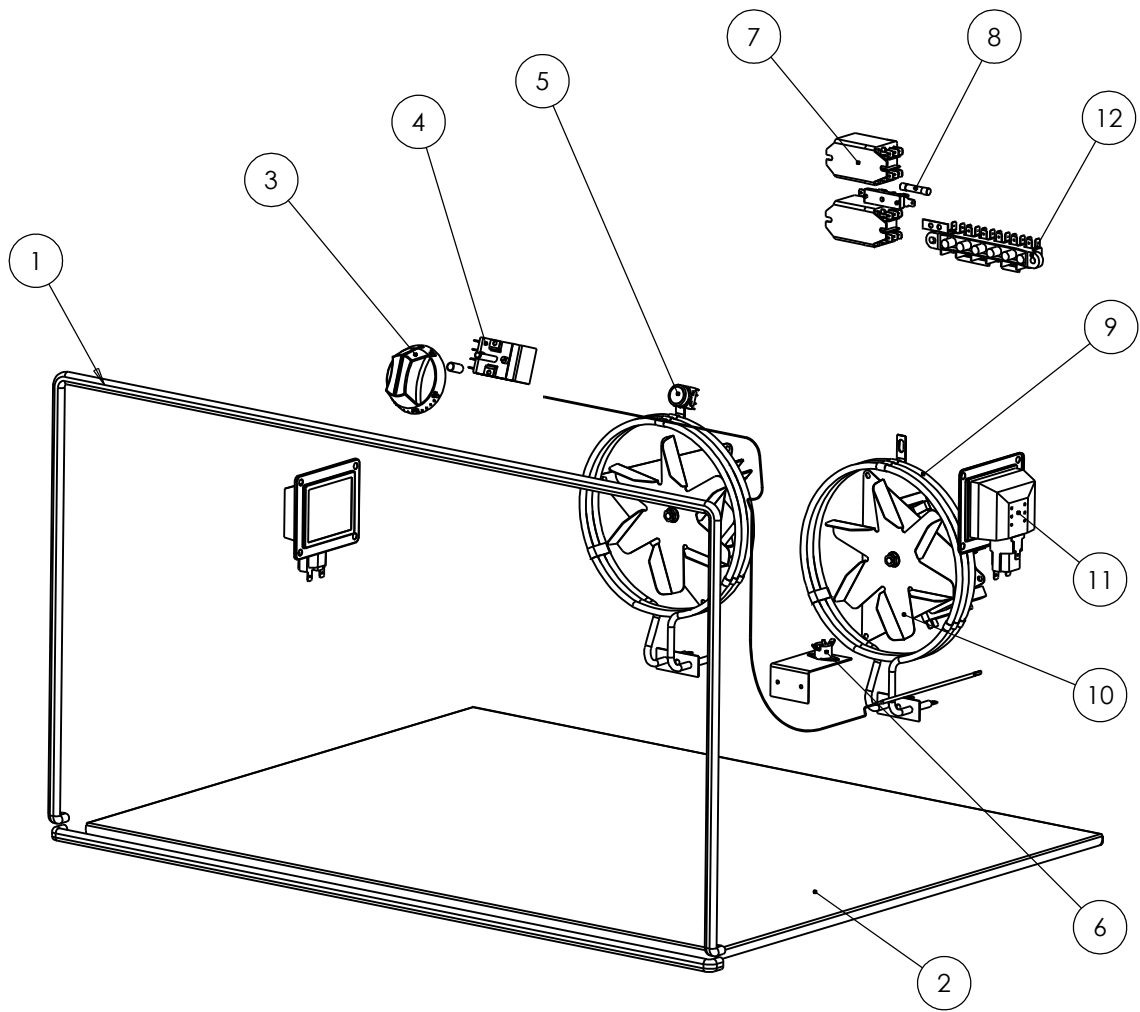
TITLE

DRAWING NUMBER

ISSUE

AA48634

A



ITEM No	DESCRIPTION	E3101 OTC 3&4HP
1	DOOR SEAL ASSEMBLY	535210001
2	OVEN BOTTOM PANEL	535210002
3	OVEN CONTROL KNOB	535300004
4	OVEN CONTROL THERMOSTAT	535420006
5	LIGHT SWITCH	734243004
6	OVEN SAFETY THERMOSTAT	535420015
7	OPERATING OR SAFETY RELAY	734243005
8	2A FUSE	734243006
9	OVEN ELEMENT	535420009
10	OVEN FAN	535420010
11	OVEN LAMP C/W GLASS	734243007
12	MAINS TERMINAL	731000006

FOR RANGE SPARES SEE: AA48634
 FOR HOTPLATE SPARES SEE: AA48636

PRODUCTION ISSUE

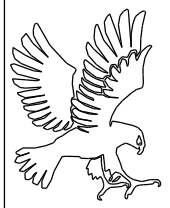
ISSUE	MOD No	ALTERATION	DRAWN BY	DATE
A	1284	PRODUCTION ISSUE	S. BROWN	01/06/11

IF IN DOUBT ASK
 DO NOT SCALE
 FIRST ANGLE PROJECTION

UNLESS OTHERWISE SPECIFIED:
 DIMENSIONS ARE IN MILLIMETERS
 TOLERANCES:
 LINEAR: ±0.5mm
 ANGULAR: ±0.5 DEG

DEBUR AND
 BREAK SHARP EDGES

WEIGHT: 135413.05g



DRAWN: S. BROWN	PRODUCT	
DATE: 01/06/11	E3101 OTC	
SCALE: 1:5	TITLE	
	SPARES - OTC OVEN ONLY	
MATL:	DRAWING NUMBER	ISSUE
THICKNESS:	AA48637	A
FINISH:		
BIN No:	PART No:	

© NO REPRODUCTION OR PUBLICATION OF THIS DRAWING MAY BE MADE AND NO ARTICLE MAY BE MANUFACTURED OR ASSEMBLED IN ACCORDANCE WITH THIS DRAWING WITHOUT PRIOR WRITTEN CONSENT. THIS PROHIBITION IS A TERM OF ANY CONTRACT RELATING TO THIS DRAWING. RIGHTS RESERVED UNDER THE COPYRIGHT ACT 1956 AS AMENDED BY THE DESIGN COPYRIGHT ACT 1968