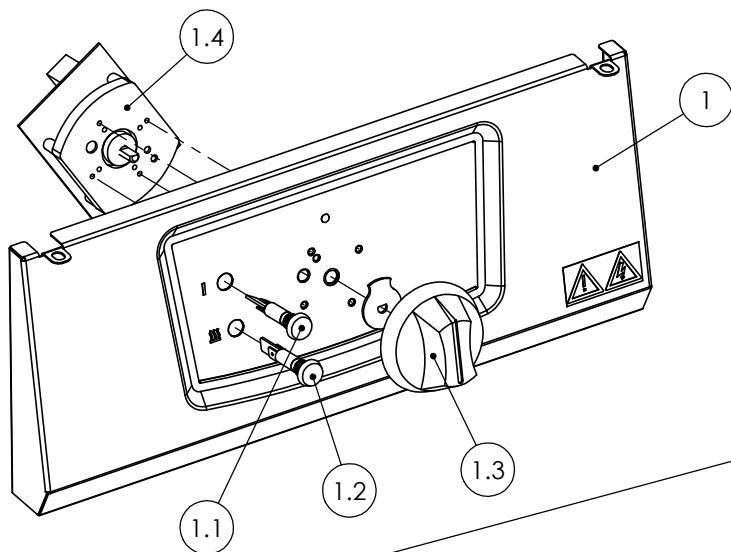


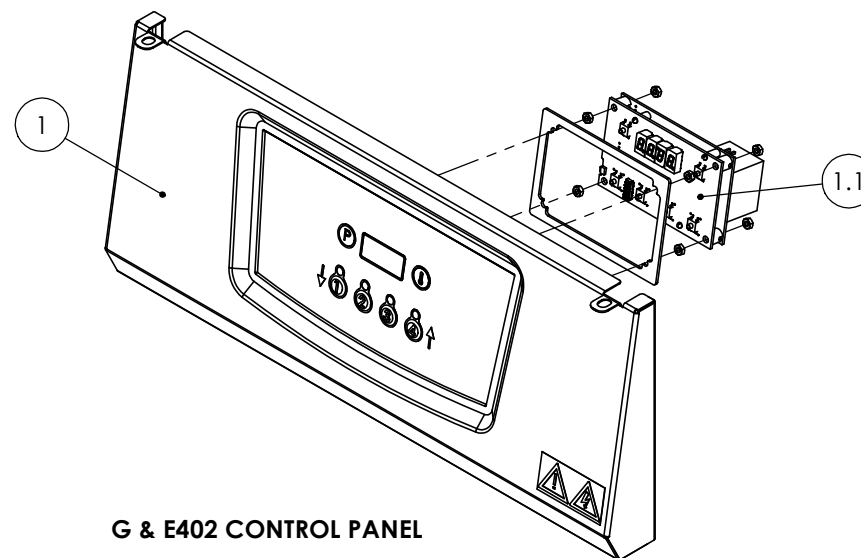
# 400 Series Fryers

## G & E401 CONTROL PANEL



ITEM	DESCRIPTION	SPARES No.
1	CONTROL PANEL ASSEMBLY	731350000
1.1	RED NEON	735010370
1.2	AMBER NEON	735010380
1.3	CONTROL KNOB C/W STOP	731350001
1.4	CONTROLLER	731350002

ITEM	DESCRIPTION	SPARES No.
1	CONTROL PANEL ASSEMBLY	731360000
1.1	CONTROLLER C/W SPACER	731360001



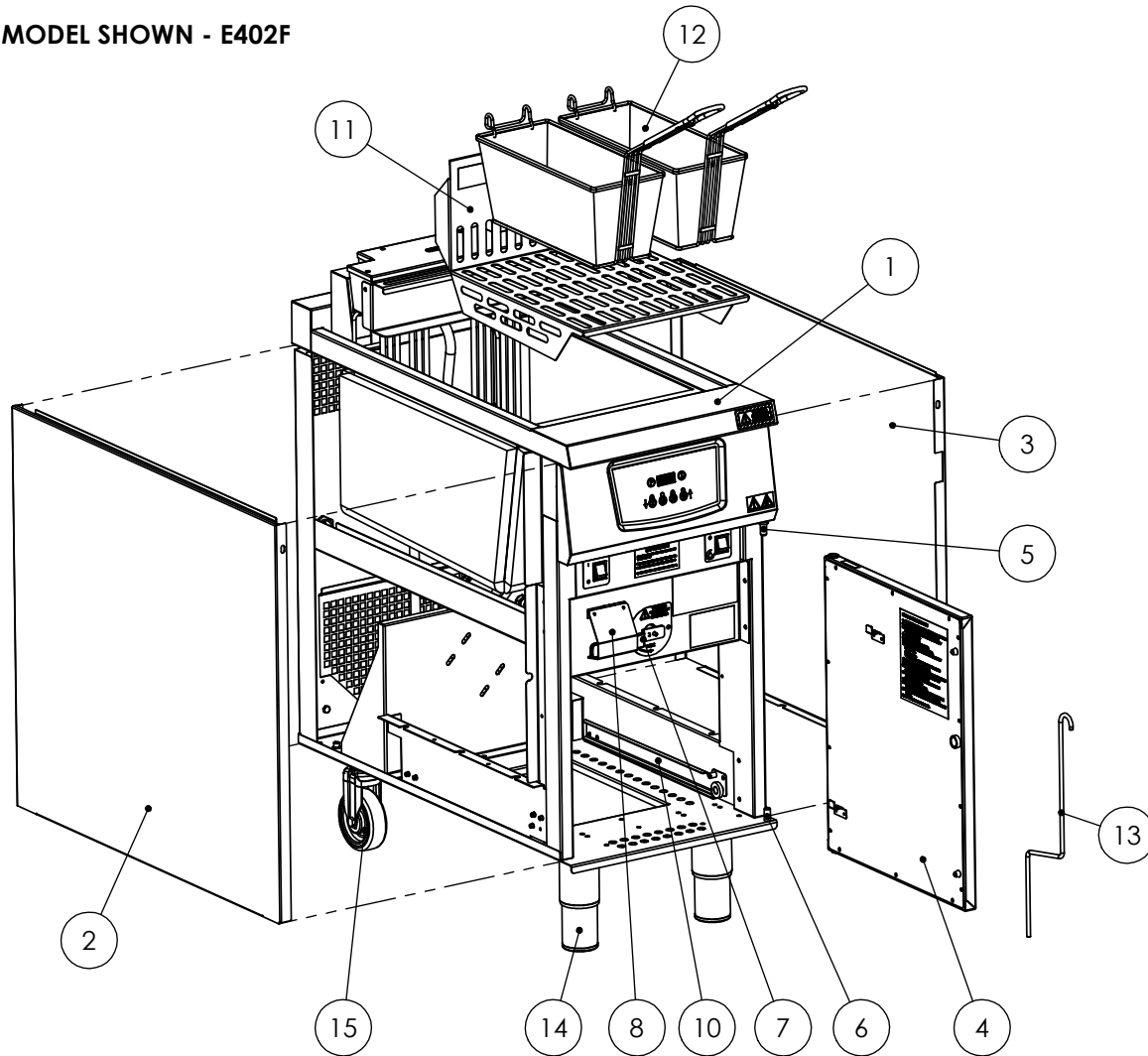
G & E402 CONTROL PANEL



Issue	Alteration	Date	Product	Document Reference
A	Initial Issue	09/08/11	E/G 401/402	AD48017

# 400 Series Fryers

MODEL SHOWN - E402F

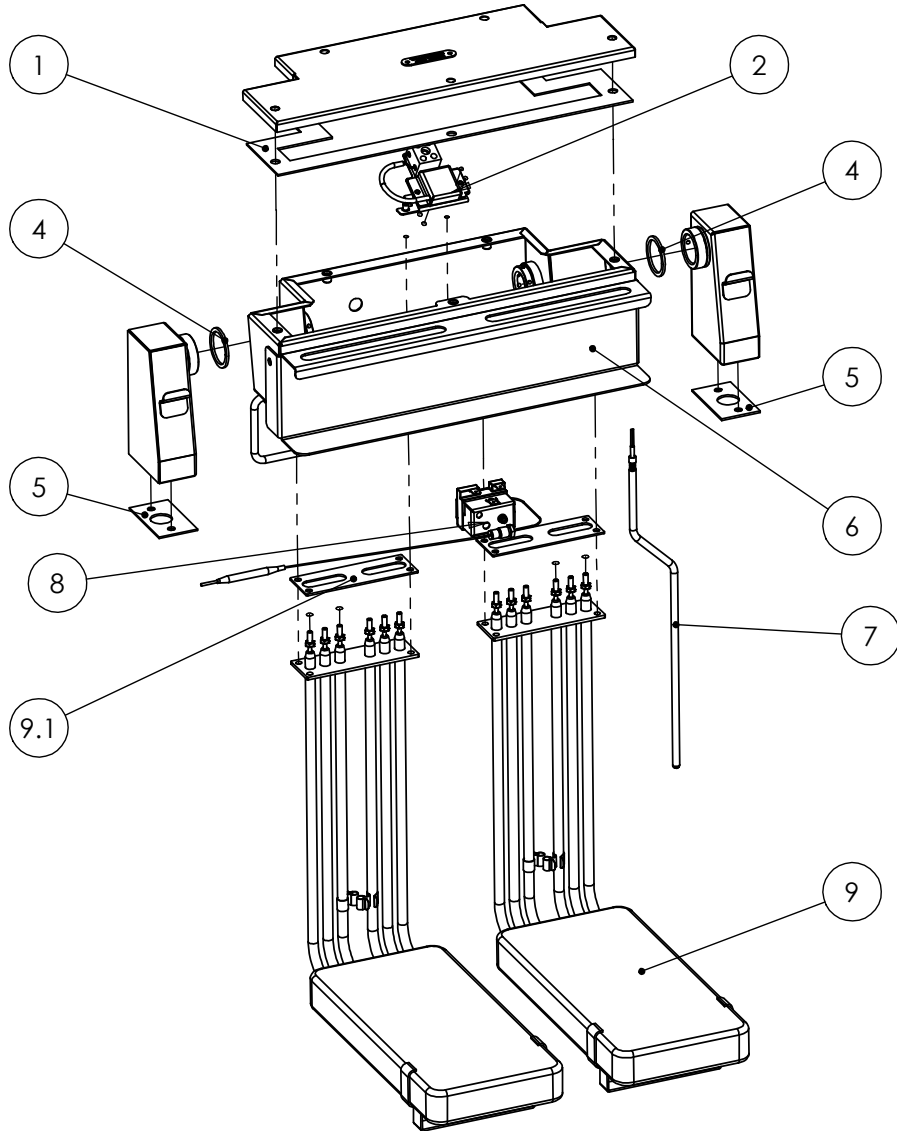


ITEM	DESCRIPTION	SPARES No
1	HOB / PAN ASSEMBLY C/W DRAIN VALVE	731350003
2	LH OUTER SIDE	731350004
3	RH OUTER SIDE	731350005
4	DOOR ASSEMBLY	731350006
5	TOP DOOR HINGE	536430108
6	BOTTOM DOOR HINGE PIN	536430109
7	DRAIN HANDLE	731350007
8	DRAIN HANDLE FLAP	731350008
9	LH BUCKET RUNNER (NOT SHOWN)	731350009
10	RH BUCKET RUNNER	731350010
11	ELEMENT GUARD	731350011
12	CHIP BASKET	536430126
13	DRAIN PROD / LIFTING TOOL	731350012
14	ADJUSTABLE FEET	731350013
15	CASTORS	731350014



Issue	Alteration	Date	Product	Document Reference
A	Initial Issue	09/08/11	E401/E402	AD48018

# 400 Series Fryers

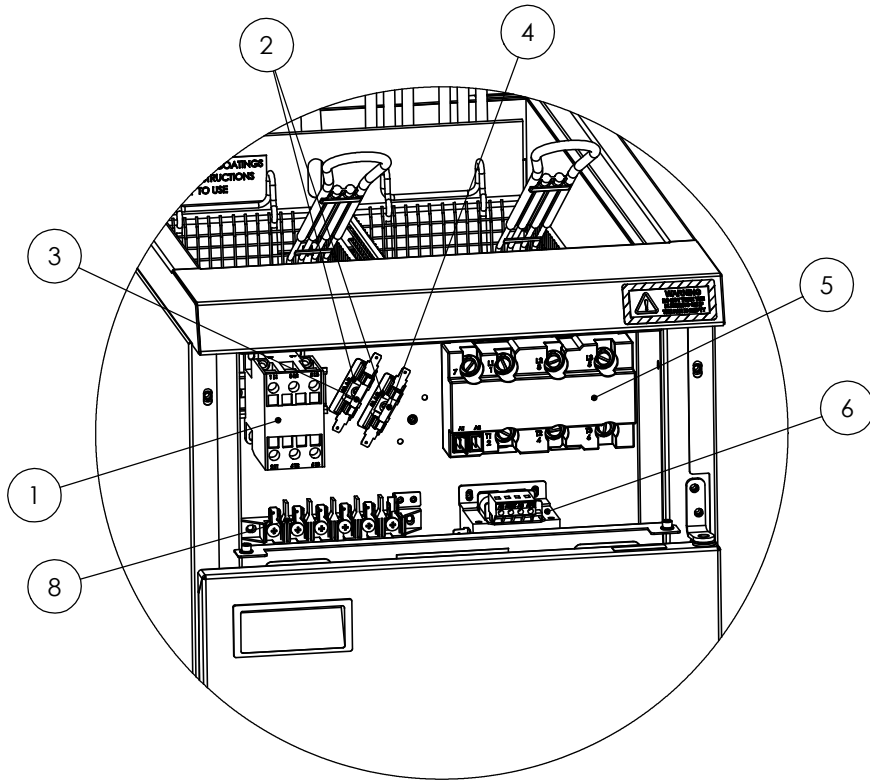


ITEM	DESCRIPTION	SPARES No
1	ELEMENT BOX LID GASKET	731350015
2	TILT SWITCH ASSEMBLY	731350051
3		
4	ELEMENT BOX CABLE GASKET	731350017
5	ELEMENT BOX SUPPORT GASKET	731350018
6	BASKET HANGING RAIL	731350019
7	THERMISTOR PROBE C/W FITTINGS	731350020
8	SAFETY STAT C/W FITTINGS	731350021
9	ELEMENT C/W GASKET	731350022
9.1	ELEMENT GASKET	731350023



Issue	Alteration	Date	Product	Document Reference
B	Initial Issue	09/08/11	E401/E402	AD48019

# 400 Series Fryers



MODEL SHOWN - E402F

ITEM	DESCRIPTION	UNIT	SPARES No
1	CONTACTOR		734510010
2	FUSE HOLDER		734310510
3	2 AMP ANTI-SURGE FUSE		731050002
4	5 AMP ANTI-SURGE FUSE	FILTER MODELS ONLY	536430009
5	SOLID STATE POWER SWITCH		731350024
6	STEP-DOWN TRANSFORMER	402 ONLY	731360002
7	ROCKER SWITCH		732950006
8	MAINS TERMINAL BLOCK		731000006
9	MAINS INLET CABLE PRE MAY 2011		731350025
9A	MAINS INLET CABLE POST MAY 2011		731350046
10	MAINS INLET CABLE GLAND C/W NUT (NOT SHOWN)		731350026
11	MAIN WIRING LOOM (NOT SHOWN)	FILTER MODELS ONLY	731350027
12	MAIN WIRING LOOM (NOT SHOWN)	NON-FILTER MODELS	731370000
13	CONTROL PANEL WIRING LOOM (NOT SHOWN)	401 ONLY	731350028
14	CONTROL PANEL WIRING LOOM (NOT SHOWN)	402 ONLY	731360003



Issue	Alteration	Date	Product	Document Reference
B	Initial Issue	09/08/11	E401/E402	AD48020