

# DISHWASHER

ELECTRONICAL SWITCHES  
LOWER WASHING  
LOWER AND UPPER WASHING

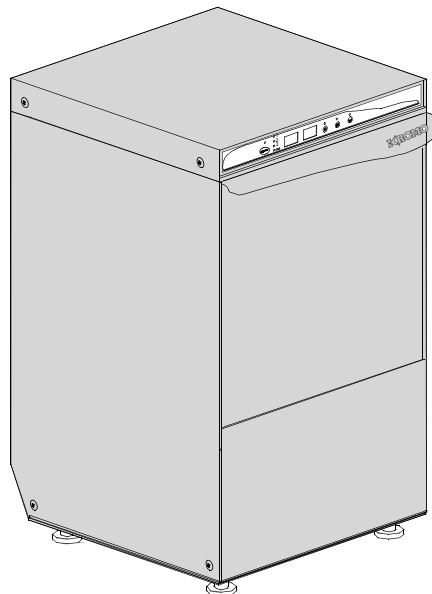
TYPE: LUX40EL

Accessories  
BREAK TANK  
BOOSTER PUMP  
DVGW  
COLD RINSE  
WATER SOFTNER  
DETERGENT DISPENSER  
DRAIN PUMP

---

## Spare parts manual

---



## INFORMAZIONI GENERALI

Questo catalogo serve per richiedere con esattezza le parti di ricambio

Nelle ordinazioni indicare:

1) il numero dei codici dei particolari seguito dalla descrizione e la quantità desiderata;

2) Il codice alfa-numerico presente nella seconda colonna della tabella ;

**I disegni delle parti di ricambio sono solo indicativi e non rappresentano il pezzo in oggetto.**

**I dati contenuti in questo catalogo sono indicativi e possono essere soggetti a modifiche senza impegno di preavviso.**

## ALLGEMEINE INFORMATIONEN

Dieser Ersatzteilkatalog dient zur genauen Angabe der Teile bei Ersatzteilbestellungen.

Bei Ersatzbestellung ist folgendes anzugeben:

1) Die Bestellnummer der Ersatzteile mit der entsprechenden Beschreibung genaue Menge;

2) Der alpha-numerischer Code auf der zweiten Reihe in dein Spcluld;

**Die Zeichnungen der Ersatzteile sind nur als Hinweise gedacht und stellen nicht das betroffene Teil dar.**

**Bei den im Katalog angeführten Daten handelt es sich um Anhaltsdaten, die jederzeit, ohne Vorankündigung, geändert werden können.**

## GENERAL INFORMATION

The present spare parts order exactly the right spare parts

When ordering specify:

1) the part's code number followed by its description and quantity needed;

2) The alpha-numeric code is in the second column in the chart;

**Spare parts drawings are general and do not represent the part.**

**The contents of this catalogue are general and can undergo changes without prior notice.**

## INFORMACIONES GENERALES

El presente catálogo sirve para pedir con exactitud las partes de repuesto

En los pedidos se debe indicar:

1) el número de código de la parte y a continuación la descripción cantidad deseada;

2) El código alfanumerico presente en la segnada columna de la tabla;

**Los diseños de las partes de recambio son solo indicativos y no representan la pieza en cuestión.**

**Los datos contenidos en el presente catálogo son indicativos y pueden modificarse sin aviso previo.**

## INFORMATIONS GENERALES

Ce catalogue permet de commander correctement les pièces détachées

Les commandes doivent être passées en indiquant:

1) le numero de code des pièces détachées suivi de leur description quantité désirée;

2) le code alphanumérique dans la deuxième colonne du tableau;

**Les plans des pièces détachées sont fournis seulement à titre indicatif et ne représentent pas la pièce concernée.**

**Les données de ce catalogue sont citées seulement à titre indicatif et peuvent être l'objet de modifications sans avis préalable.**

ESEMPIO  
EXAMPLE  
EXEMPLE  
BEISPIEL

Rif.	Codici
MODULE:Particolari	
10505	540903
10510	540908
10515	15065/A
10520	540086
10525	540028

**Note**

Tutte le informazioni riportate si intendono aggiornate alla data di stampa. Il Produttore si riserva il diritto di apportare qualsiasi modifica richiesta dallo sviluppo evolutivo dei suddetti prodotti.

Per la sicurezza, la garanzia, l'affidabilità ed il valore della lavastoviglie usa solo ricambi originali. **Per alcuni codici, sono richieste quantità minime d'ordine.**

**Attenzione**

Questo libretto è parte integrante della lavastoviglie e, in caso di passaggio di proprietà, deve essere consegnato al nuovo acquirente.

**Remarque**

Toutes les informations contenues dans ce manuel s'entendent mises à jour à la date d'impression. En raison du développement constant de ses produits, usine se réserve le droit d'apporter à tout instant les modifications qu'elle jugera utiles.

Pour la sécurité, la garantie, la fiabilité et la valeur de votre lavevaisselles n'utilisez que des pièces de rechange d'origine. **Pour quelque référence on demande un minimum de pièces par commande**

**Attention**

Ce manuel doit être considéré comme partie intégrante de la la lavevaisselles, en cas de transfert de propriété, doit toujours être remis au nouveau propriétaire.

**Note**

The information contained herein is valid at the time of going to print. The Company reserves the right to make any changes required by the future development of the above-mentioned products.

For your safety, as well as to preserve the warranty reliability and worth of your dishwashers, use original spare parts only. **For some codes a minimum quantity for order is required.**

**Warning**

This manual forms an integral part of the dishwashers and - if a transfer of title occurs - must always be handed over to the new owner.

**Hinweis**

Die Der Hersteller behält sich das Recht vor, jegliche, durch eine Weiterentwicklung der genannten Produkte bedingte Änderungen vornehmen zu können.

Verwenden Sie für Ihre Sicherheit, die Garantie, die Zuverlässigkeit und den Wert Ihrer machine originale Ersatzteile. **Für bestimmte Code nummer werden mindesten bestellungen verlangt.**

**Achtung**

Diese Betriebsanleitung ist Bestandteile des machine und muss bei seinem Weiterverkauf dem neuen Besitzer ausgehändigt werden.



---

**Code** 999XYYYY

**Model DESCRIPTION**

**S/N** 04012345    **Type** .....

**CL/Part**



400VAC3N    50HZ    8A

3500W                      500W

**IPX3**



16A

**TECHICAL SPECIFICATION**

**200-500**

Pressione Dinamica alimentazione idrica  
 Pression dynamique arrivee d'eau  
 Dynamic pressure water supply  
 Dymanischer Druck asserreinlauf

**MADE IN ITALY**

Pressione dinamica vapore saturo  
 Pression dynamique vapeur satuee  
 Dymanischer Druck gesattigter Dampf  
 Pression Dinamica Vapor Saturado

Temperatura massima acqua in ingresso **60°C**  
 Temperature max eau a l'entre  
 Maximale Temperatur Wasseranschlu  
 Maximum Water temperature in-feeding

---

Model 

S/N 

**CODE 999 XX YYYY**

FAMIGLIA PRODOTTO  
 FAMILY PRODUCT  
 FAMILLE DU PRODUIT  
 FAMILIA PRODUCTO  
 FAMILIE DES PRODUKTES

CODICE MODELLO  
 CODE MODEL  
 CODE ARTICLE  
 CODIGO MODELO  
 KODE VON MODELL

**S/N 04 012345**

ANNO  
 YEAR  
 ANNÉE  
 AN<sup>o</sup>  
 JAHR

NUMERO DI SERIE  
 SERIAL NUMBER  
 NUMÉRO DI SÉRIE  
 NUMERO DI SERIE  
 SERIENNUMMER



## 1. Spare parts

<b>General body parts.....</b>	<b>7</b>
<b>Lockup system .....</b>	<b>9</b>
<b>Lockup system .....</b>	<b>11</b>
<b>Lockup system .....</b>	<b>13</b>
<b>Control panel and switches.....</b>	<b>15</b>
<b>Electric control ELEKTRO.....</b>	<b>17</b>
<b>Solenoid valve group .....</b>	<b>19</b>
<b>Solenoid valve group .....</b>	<b>21</b>
<b>Solenoid valve group .....</b>	<b>23</b>
<b>Break Tank .....</b>	<b>25</b>
<b>Booster pump.....</b>	<b>27</b>
<b>DVGW .....</b>	<b>29</b>
<b>Water softner group.....</b>	<b>31</b>
<b>Rinse aid dispenser group.....</b>	<b>33</b>
<b>Rinse aid dispenser group.....</b>	<b>35</b>
<b>Boiler group .....</b>	<b>37</b>

---

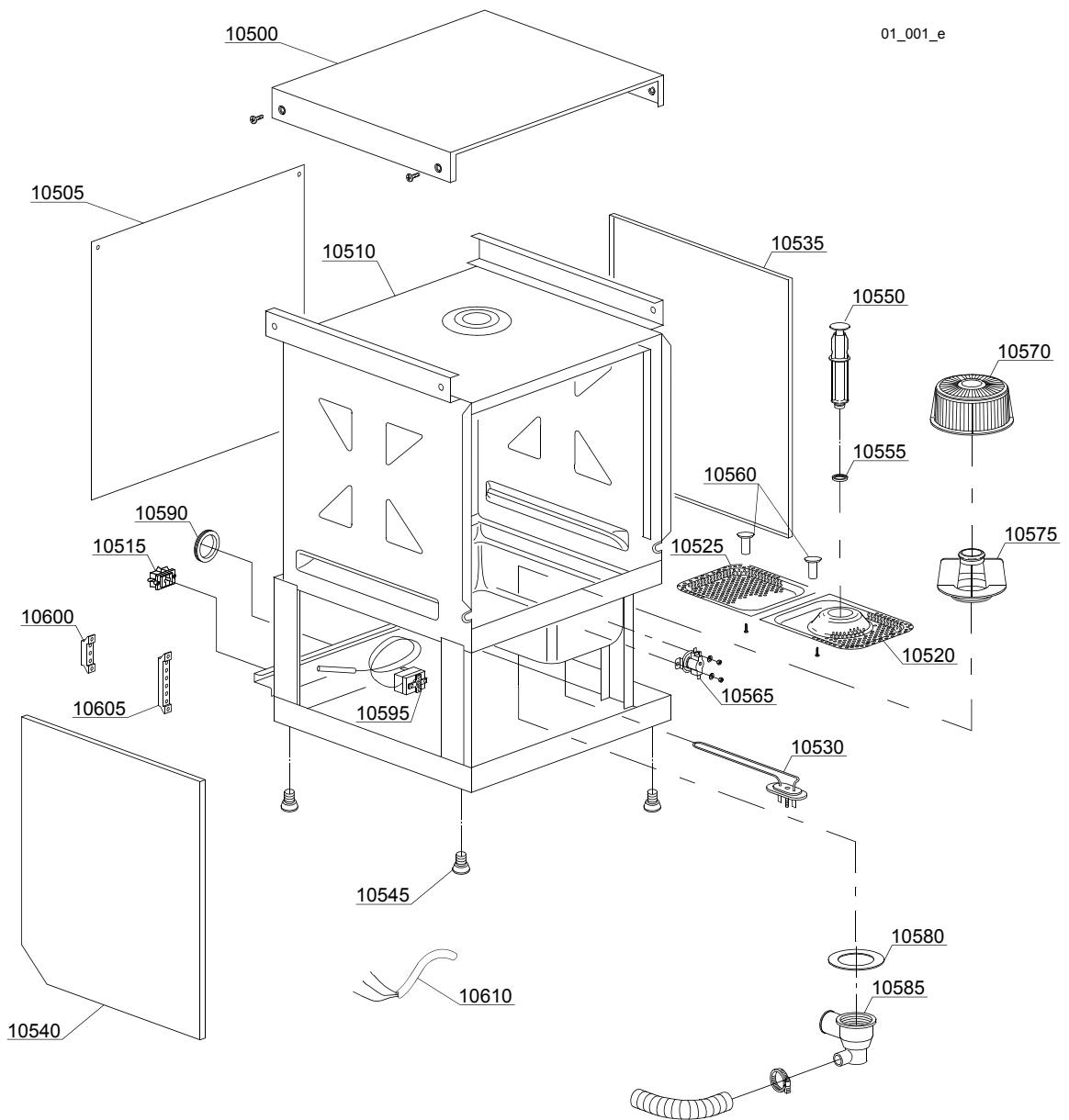
<b>3 ways connection .....</b>	<b>39</b>
<b>4 ways connection .....</b>	<b>41</b>
<b>Wash pump .....</b>	<b>43</b>
<b>Wash pump .....</b>	<b>45</b>
<b>Dosing detergent group.....</b>	<b>47</b>
<b>Dosing detergent group.....</b>	<b>49</b>
<b>Drain pump group.....</b>	<b>51</b>
<b>Drain pump group.....</b>	<b>53</b>
<b>Pressure switch group with air trap ...</b>	<b>55</b>
<b>Turret group with rotating arms .....</b>	<b>57</b>
<b>Turret group with rotating arms .....</b>	<b>59</b>

## 1.1 Voltage codes

Voltage code	Voltage
A	3/N/PE~400/230V 50Hz
B	~250V 16A 50Hz
C	3/N/PE~380/220V 50Hz
D	3/PE~200V 50-60Hz
F	2/PE 220-240V 50Hz
G	3/N/PE~415/240V 50Hz
H	3/PE~230V 50Hz
I	3/PE~220V 60Hz
J	3/PE~380 50Hz
K	3/PE~400V 50Hz
L	3/PE~415V 50Hz
M	3/PE~440V 60Hz
N	3/PE~460V 60Hz
O	3/PE~480V 60Hz
P	1/N/PE~220-240V 50Hz
R	2/PE~220-230V 60Hz
S	3/N/PE~400/230V 50Hz
T	3/PE~230V 60Hz

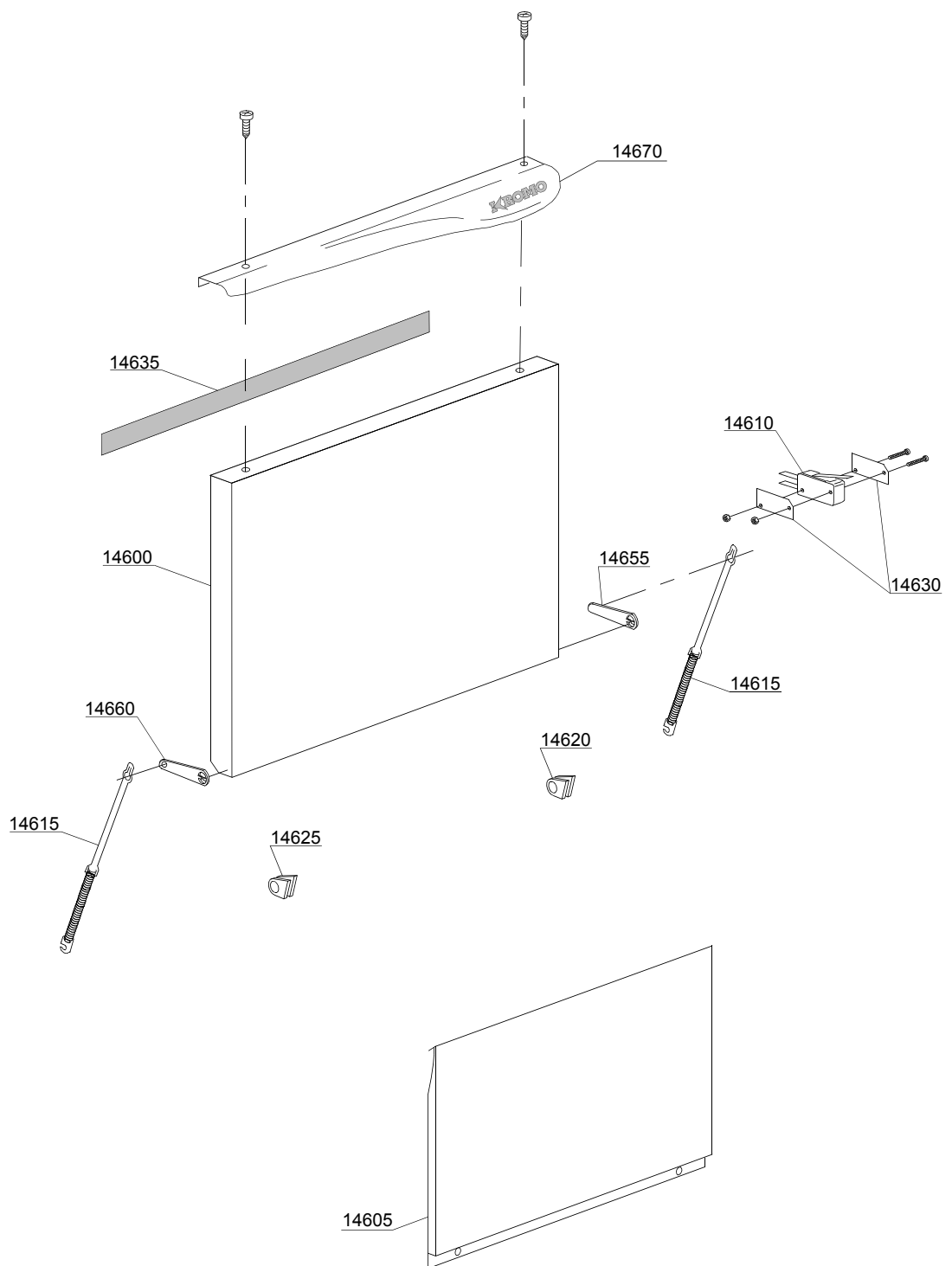
## 1.2 Product codes

Product code	Full name
Model codes	
ec	ELECTRONICAL SWITCHES
cf	LOWER WASHING
ls	LOWER AND UPPER WASHING
Type codes	
LUX40EL	LUX40EL
Accessory codes	
bt	BREAK TANK
pap	BOOSTER PUMP
dvgw	DVGW
fs	COLD RINSE
d	WATER SOFTNER
dde	DETERGENT DISPENSER
ps	DRAIN PUMP



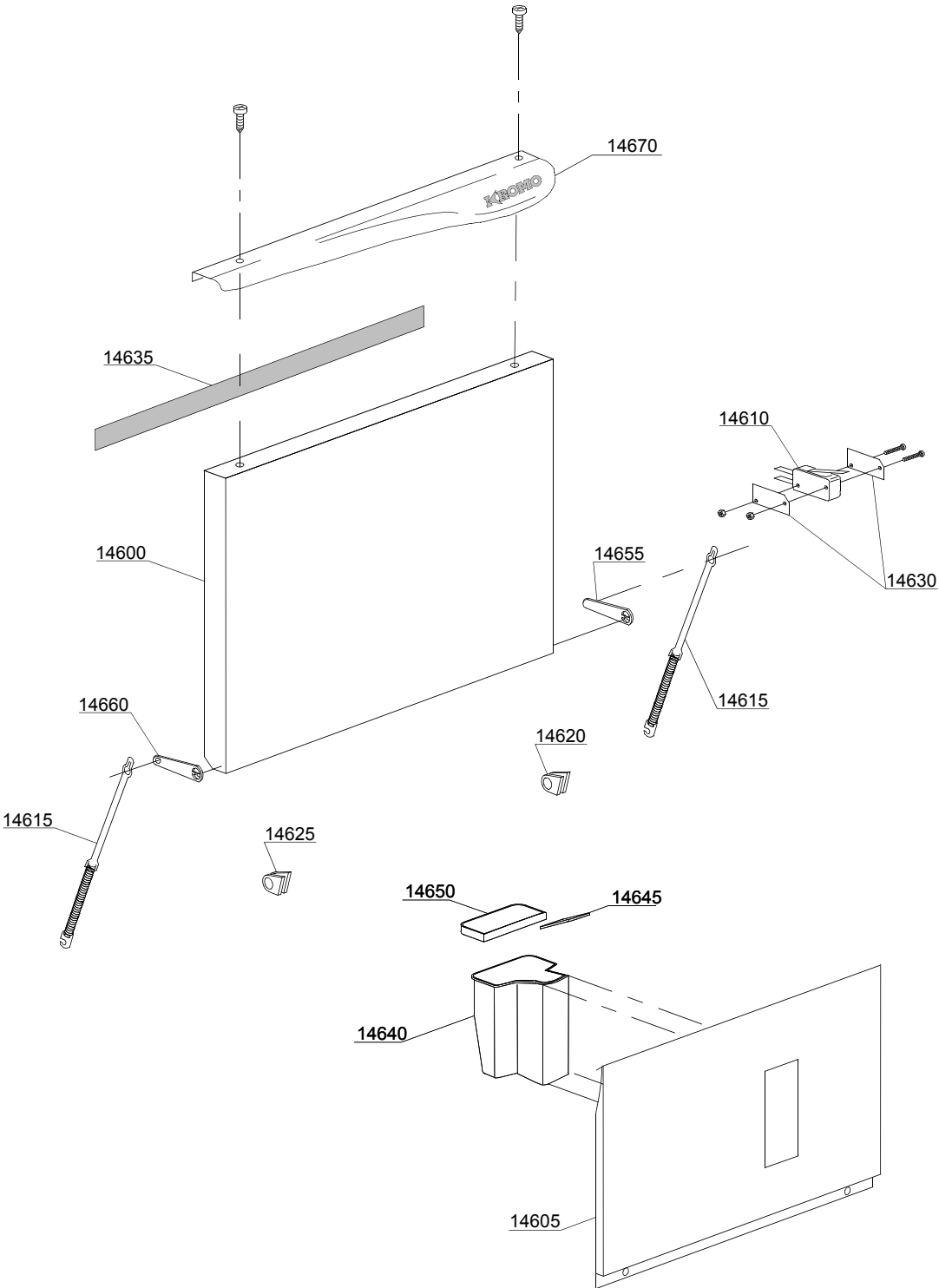
## Spare parts

ID	P-code	Model	Type	Accessory	Voltage	Description
MODULE:General body parts						
10500	540913		LUX40EL			Cover
10505	540903		LUX40EL			Back panel
10510	540908		LUX40EL			Body
10510	540921		LUX40EL	ws		Body
10515	15065/A		LUX40EL			Cable-fastener with screw
10520	540027		LUX40EL			Surface half-filter
10525	540028		LUX40EL			Surface half-filter
10530	540401		LUX40EL			1,1/1,2 KW 230/240V heating element
10535	540900		LUX40EL			Right side
10540	540901		LUX40EL			Left side
10545	10850		LUX40EL			Foot
10550	540033		LUX40EL			Overflow pipe
10555	13021		LUX40EL			DEM 40 O-ring
10560	540039		LUX40EL			Surface filter handle
10565	15551		LUX40EL			Fixed tank thermostat in deviation
10570	500620		LUX40EL			Filter
10575	500615		LUX40EL			Ferrule with filter
10580	80208		LUX40EL			95x75x3 O-ring
10585	500606		LUX40EL			Right side scrap tray
10590	13317		LUX40EL			Ø40mm lead through rubber
10595	10707/1		LUX40EL			0-90°C thermostat
10600	500550		LUX40EL			3 poles terminal board
10605	500551		LUX40EL			6 poles terminal board
10610	10713		LUX40EL			3x2,5x2500 cable
10610	15118		LUX40EL			5x2,5 cable



## Spare parts

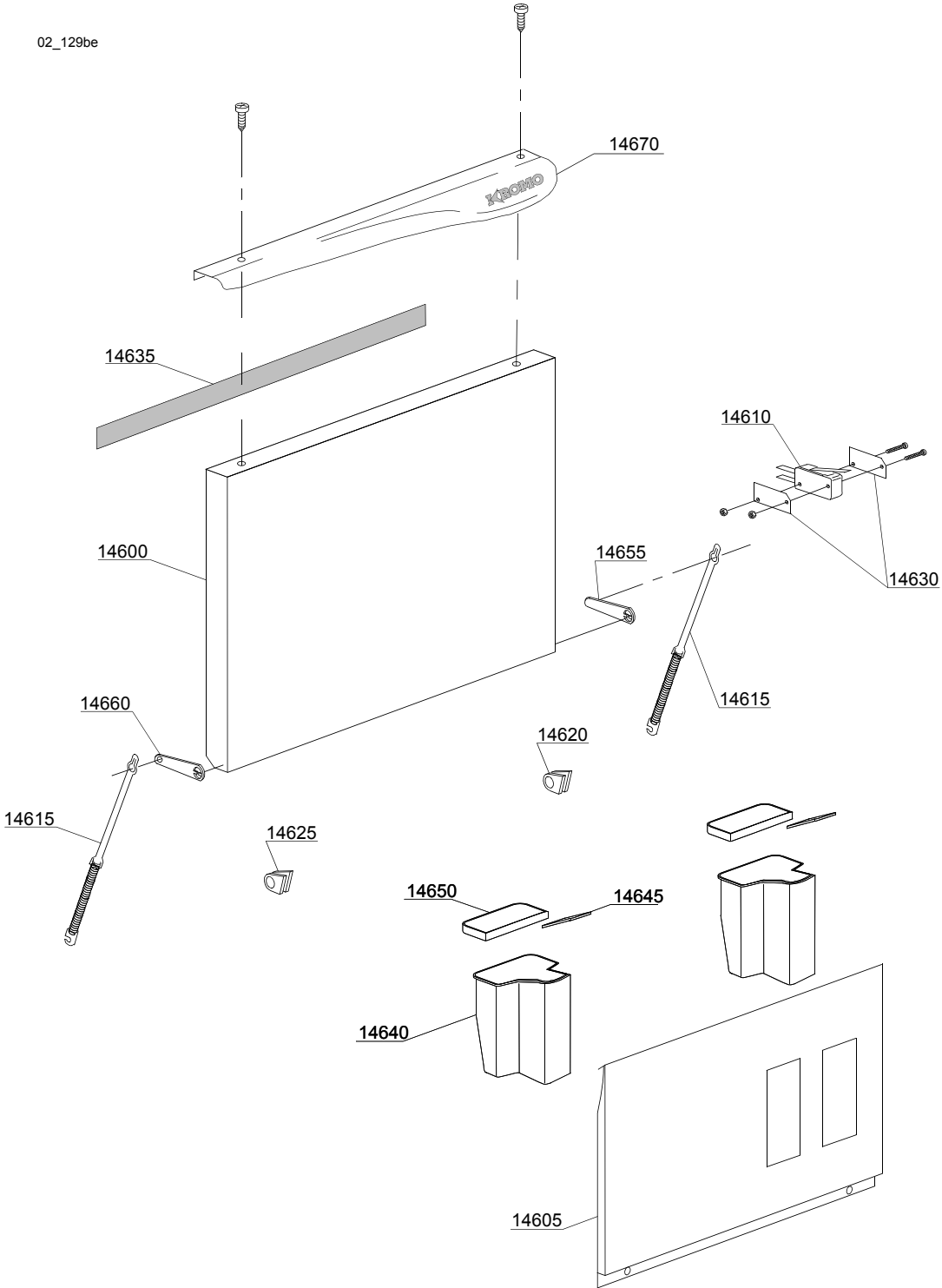
ID	P-code	Model	Type	Accessory	Voltage	Description
MODULE:Lockup system						
14600	540958		LUX40EL			Door with steel handle
14605	540902		LUX40EL			Lower door
14610	10704		LUX40EL			Door microswitch
14615	560003		LUX40EL			Door spring
14620	540035		LUX40EL			Right axle bush for door hinge
14625	540036		LUX40EL			Left axle bush for door hinge
14630	10770		LUX40EL			Insulation for door microswitch
14635	560021		LUX40EL			Profile for door O-ring
14640	540050		LUX40EL			Square tank
14645	540044		LUX40EL			Shining product tank cover
14650	540049		LUX40EL			Back tank cover
14655	540624		LUX40EL			Right arm for door
14660	540629		LUX40EL			Left arm for door
14670	540961		LUX40EL			Steel handle



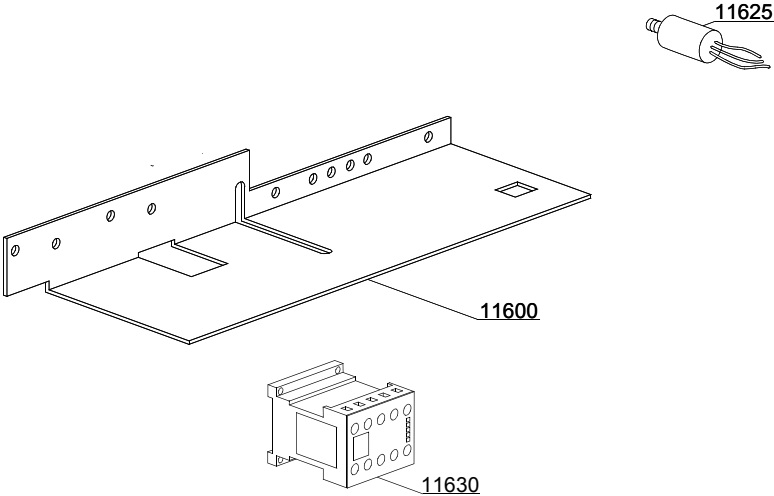
02\_129ae

## Spare parts

ID	P-code	Model	Type	Accessory	Voltage	Description
MODULE:Lockup system						
14600	540958		LUX40EL			Door with steel handle
14605	540936		LUX40EL			Lower door
14610	10704		LUX40EL			Door microswitch
14615	560003		LUX40EL			Door spring
14620	540035		LUX40EL			Right axle bush for door hinge
14625	540036		LUX40EL			Left axle bush for door hinge
14630	10770		LUX40EL			Insulation for door microswitch
14635	560021		LUX40EL			Profile for door O-ring
14640	540050		LUX40EL			Square tank
14645	540044		LUX40EL			Shining product tank cover
14650	540049		LUX40EL			Back tank cover
14655	540624		LUX40EL			Right arm for door
14660	540629		LUX40EL			Left arm for door
14670	540961		LUX40EL			Steel handle



ID	P-code	Model	Type	Accessory	Voltage	Description
MODULE:Lockup system						
14600	540958		LUX40EL			Door with steel handle
14605	540935		LUX40EL			Lower door
14610	10704		LUX40EL			Door microswitch
14615	560003		LUX40EL			Door spring
14620	540035		LUX40EL			Right axle bush for door hinge
14625	540036		LUX40EL			Left axle bush for door hinge
14630	10770		LUX40EL			Insulation for door microswitch
14635	560021		LUX40EL			Profile for door O-ring
14640	540050		LUX40EL			Square tank
14645	540044		LUX40EL			Shining product tank cover
14645	540045		LUX40EL			Detergent product tank cover
14650	540049		LUX40EL			Back tank cover
14655	540624		LUX40EL			Right arm for door
14660	540629		LUX40EL			Left arm for door
14670	540961		LUX40EL			Steel handle

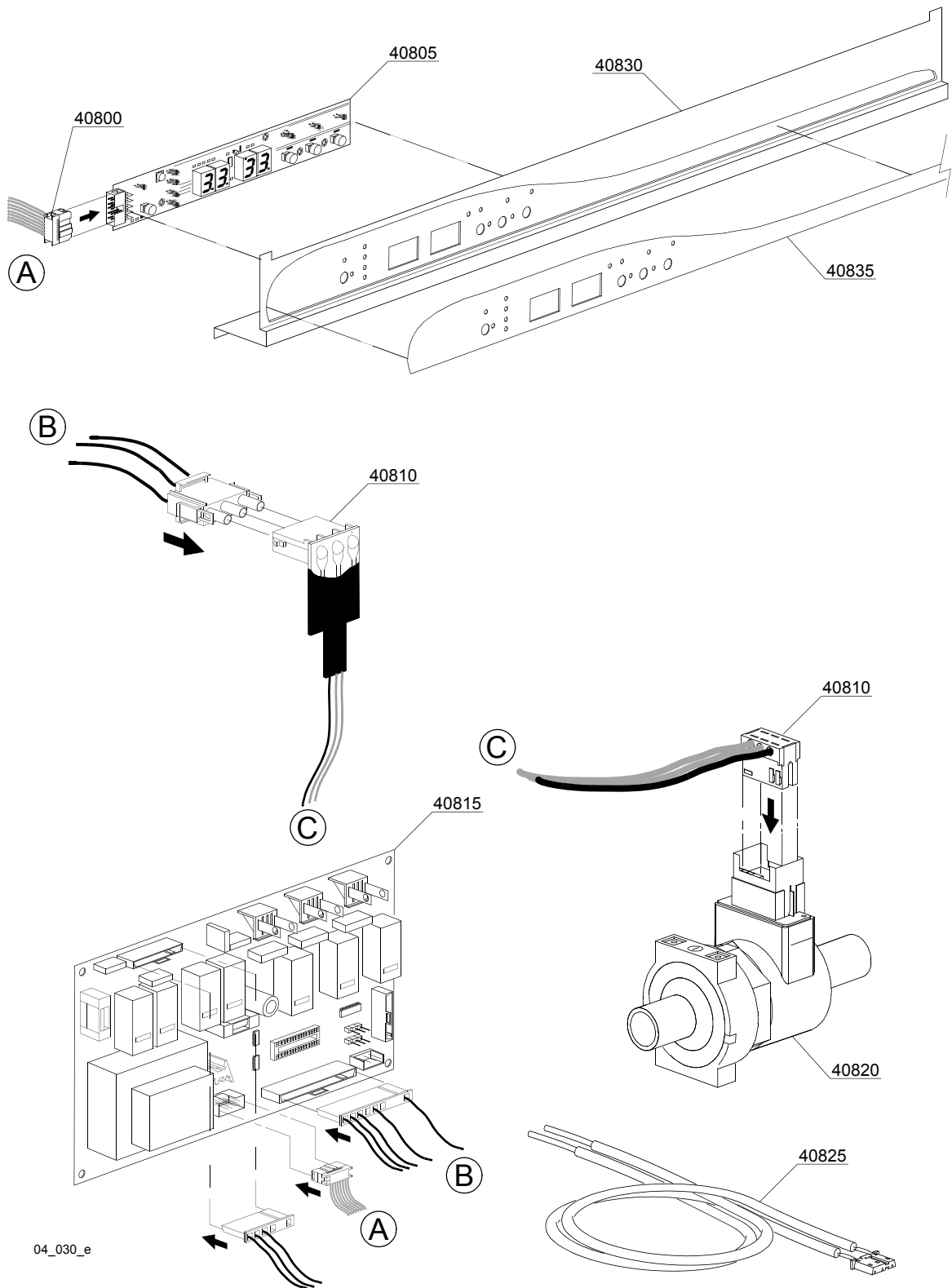


04\_001de

## Spare parts

---

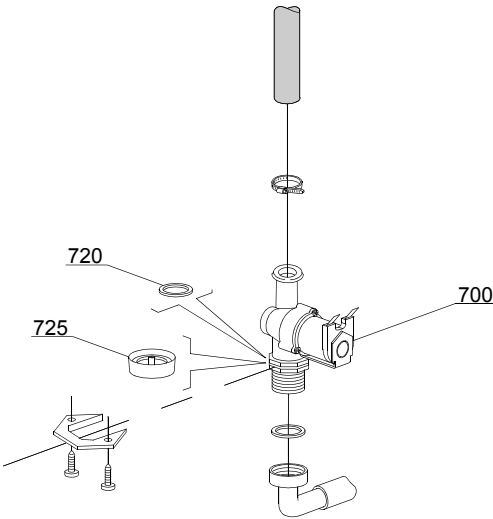
ID	P-code	Model	Type	Accessory	Voltage	Description
MODULE:Control panel and switches						
11600	540943		LUX40EL			Electric components panel
11625	15149		LUX40EL			Low noise filter
11630	15086		LUX40EL			Contacto 230V 50/60Hz 4C



04\_030\_e

## Spare parts

ID	P-code	Model	Type	Accessory	Voltage	Description
MODULE:Electric control ELEKTRO						
40800	50582		LUX40EL			""Elite""plug
40805	50581		LUX40EL			Touche sensitive "Elite"
40810	50584		LUX40EL			"Elite"water flow board
40815	50580		LUX40EL			"Elite"electronic timer+main board
40820	50583		LUX40EL			Water flow meter for "Elite""board
40825	50562		LUX40EL			Temperature probe set
40830	540963		LUX40EL			LUX 41 Control Panel
40835	540964		LUX40EL			Silkscreen processed grill LUX-41 EL

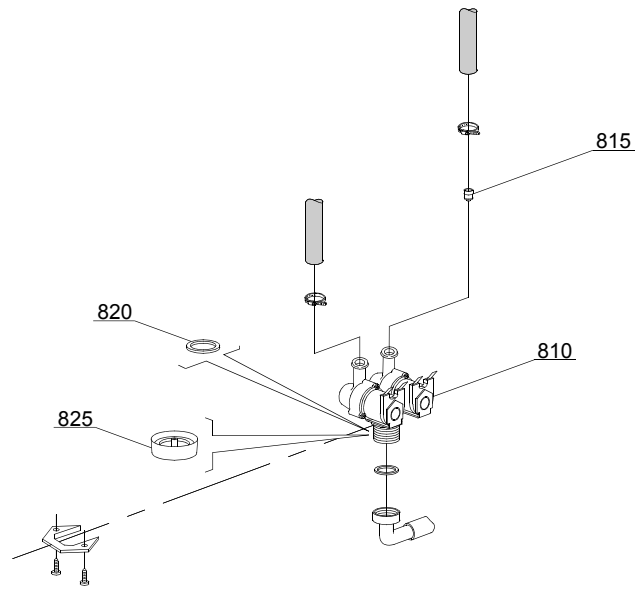


05\_002\_e

**Spare parts**

---

ID	P-code	Model	Type	Accessory	Voltage	Description
MODULE: Solenoid valve group						
700	10703		LUX40EL			Single solenoid valve
720	N.C.		LUX40EL			Pression reducing valve

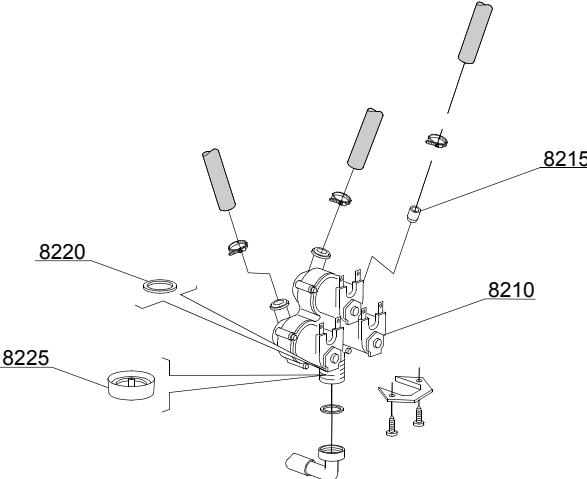


05\_003\_e

## Spare parts

---

ID	P-code	Model	Type	Accessory	Voltage	Description
MODULE: Solenoid valve group						
810	15098		LUX40EL	cr,ws		Double solenoid valve - Ø10
815	15115		LUX40EL	cr,ws		Green pression solenoid valve
820	N.C.		LUX40EL	cr,ws		Pression reducing valve

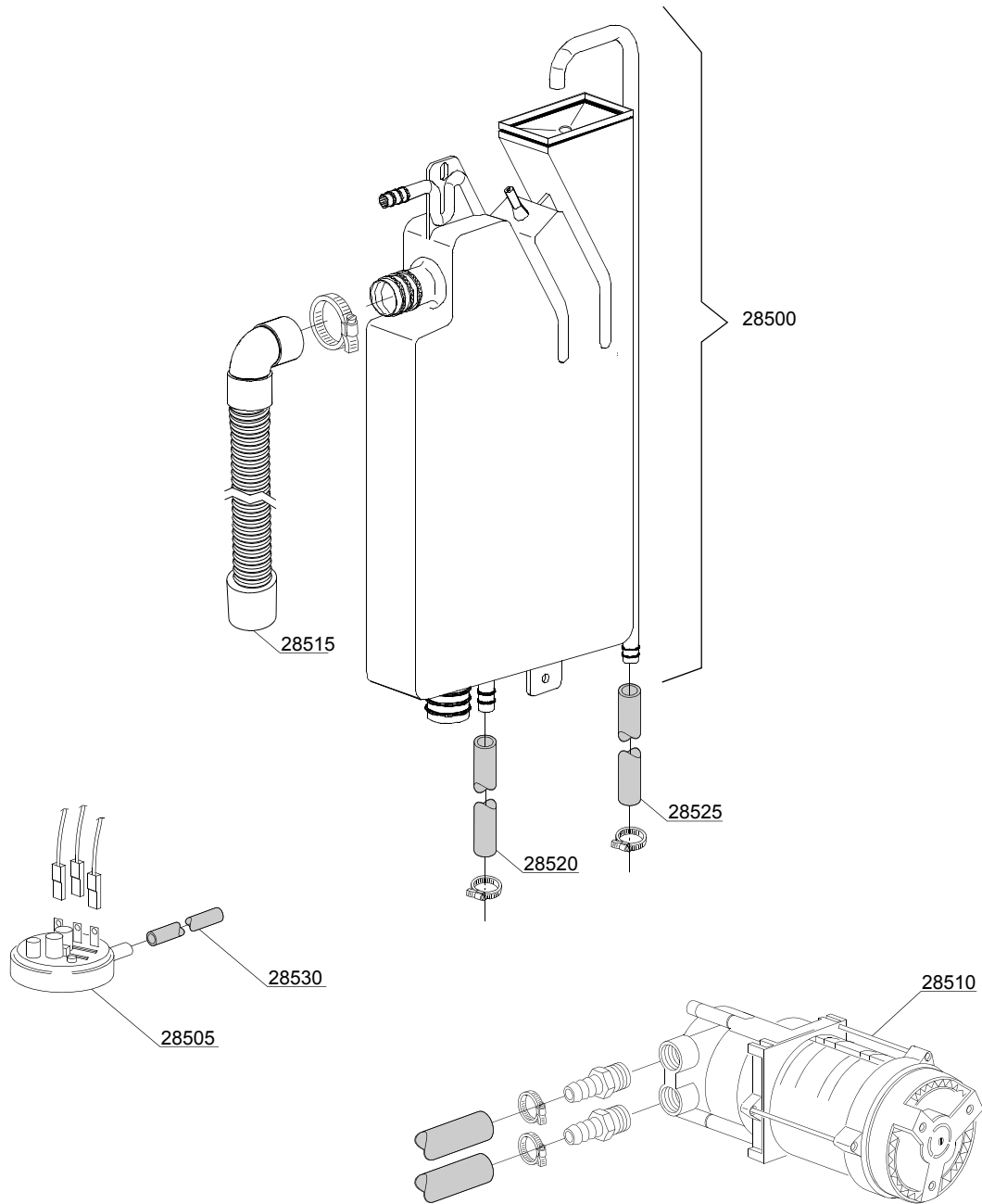


05\_004\_e

## Spare parts

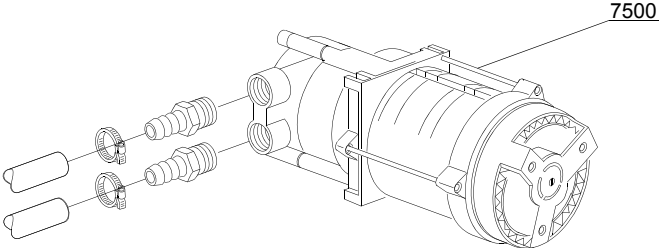
ID	P-code	Model	Type	Accessory	Voltage	Description
MODULE: Solenoid valve group						
8210	15099		LUX40EL	cr,ws		Triple solenoid valve
8215	15115		LUX40EL	cr,ws		Green pression solenoid valve
8220	N.C.		LUX40EL	cr,ws		Pression reducing valve

06\_004ae



## Spare parts

ID	P-code	Model	Type	Accessory	Voltage	Description
MODULE:Break Tank						
28500	15735		LUX40EL	bt		Break tank assembly
28505	10706/A		LUX40EL	bt		47-27 pressure switch
28510	15100/D		LUX40EL	bt		Booster pump 220-240/50
28515	15721		LUX40EL	bt		BT long pipe L=1070
28515	15722		LUX40EL	bt		BT middle pipe L=920
28515	15723		LUX40EL	bt		BT small pipe L=920
28520	2907350		LUX40EL	bt		12x20 EPDM rubber hose
28525	2907352		LUX40EL	bt		PVC WRAS rubber hose

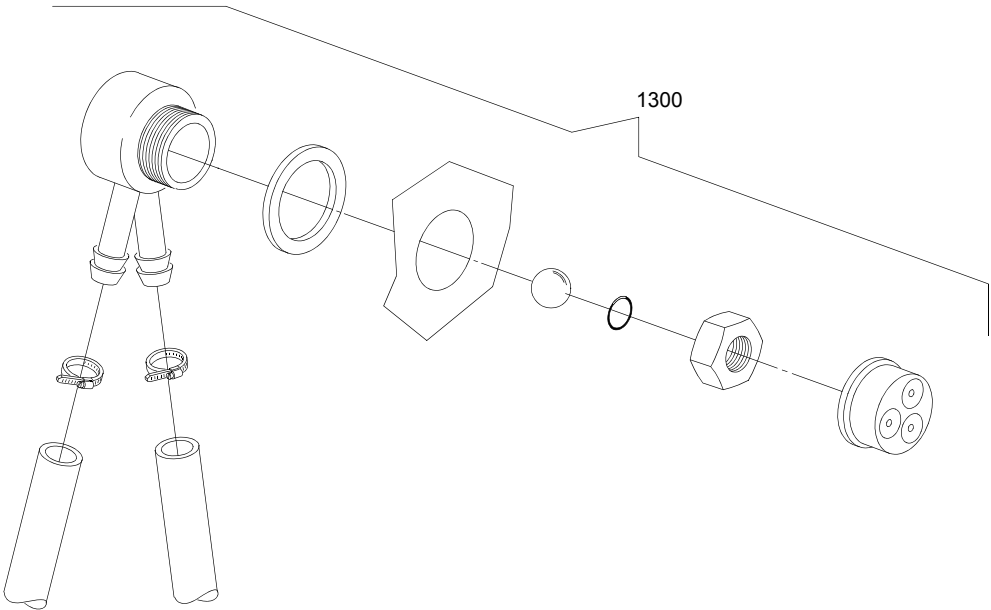


07\_003\_e

## Spare parts

---

ID	P-code	Model	Type	Accessory	Voltage	Description
MODULE:Booster pump						
7500	15100/D		LUX40EL	bp		Booster pump 220-240/50



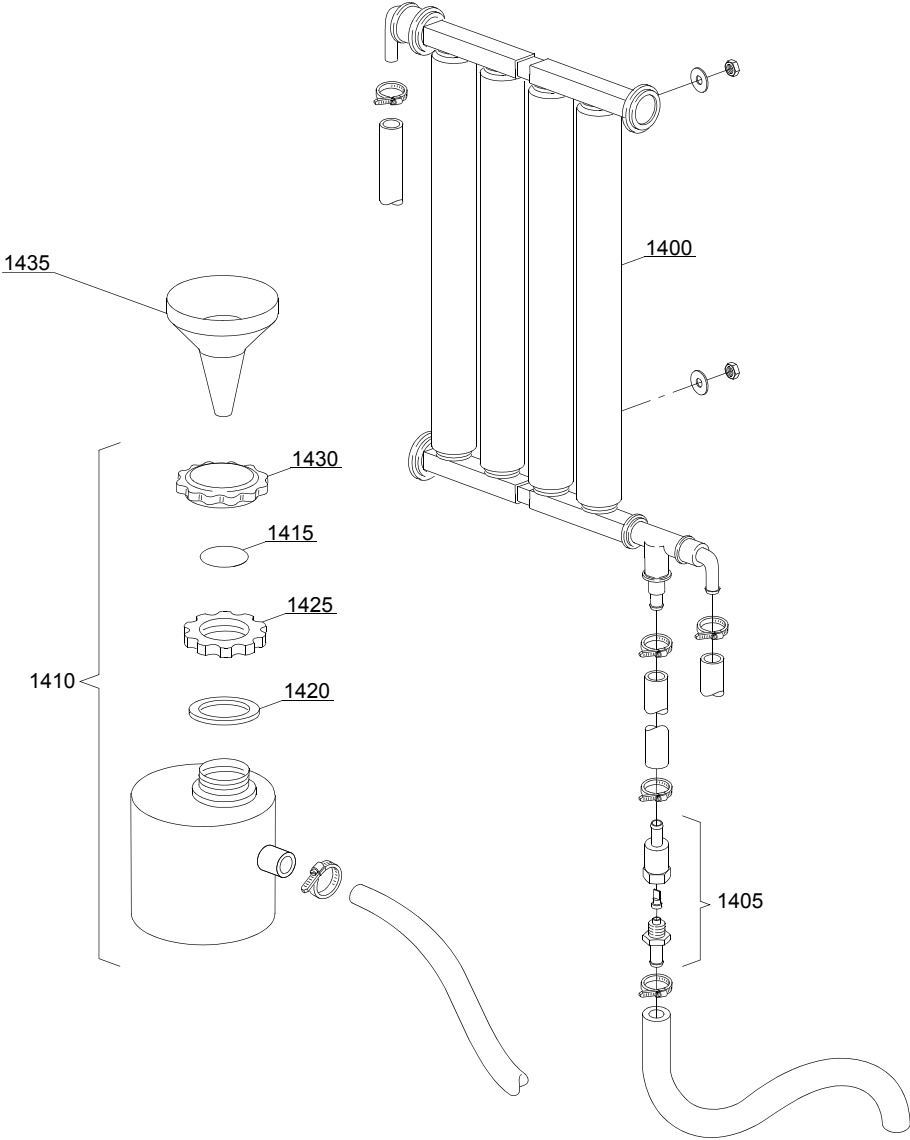
08\_005\_e

**Spare parts**

---

ID	P-code	Model	Type	Accessory	Voltage	Description
MODULE:DVGW						
1300	999900006		LUX40EL	dvgw		DVGW assembly

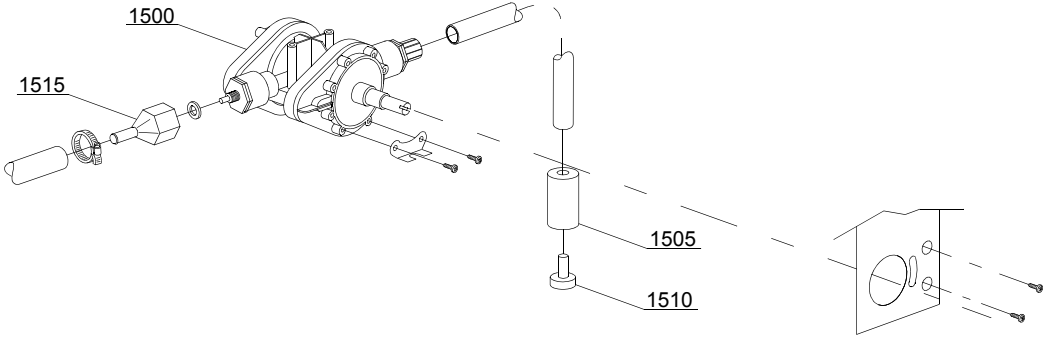
09\_001\_e



## Spare parts

ID	P-code	Model	Type	Accessory	Voltage	Description
MODULE:Water softner group						
1400	16066		LUX40EL	ws		4 elements water softner
1405	16070		LUX40EL	ws		Nonreturn valve
1410	16065		LUX40EL	ws		Salt container
1415	16067/A		LUX40EL	ws		OR O-ring
1420	16067/B		LUX40EL	ws		O-ring
1425	16067/C		LUX40EL	ws		Ring nut
1430	16067/D		LUX40EL	ws		Plug
1435	16082		LUX40EL	ws		Funnel

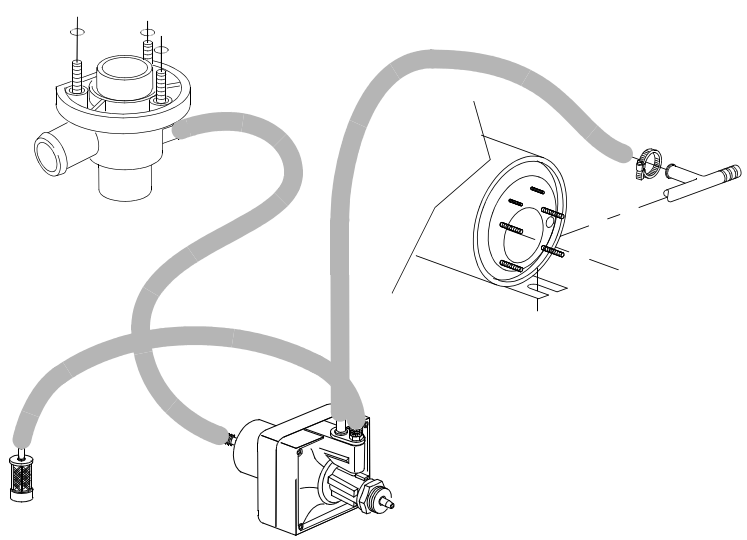
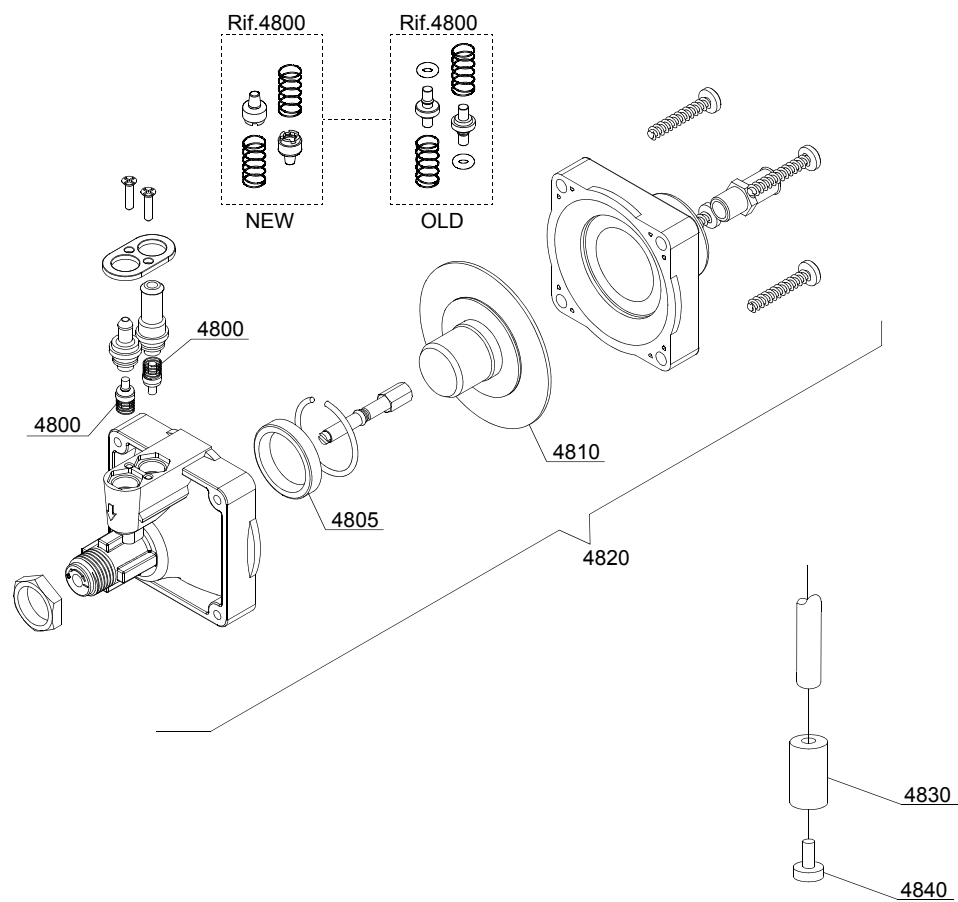
10\_002\_e



## Spare parts

---

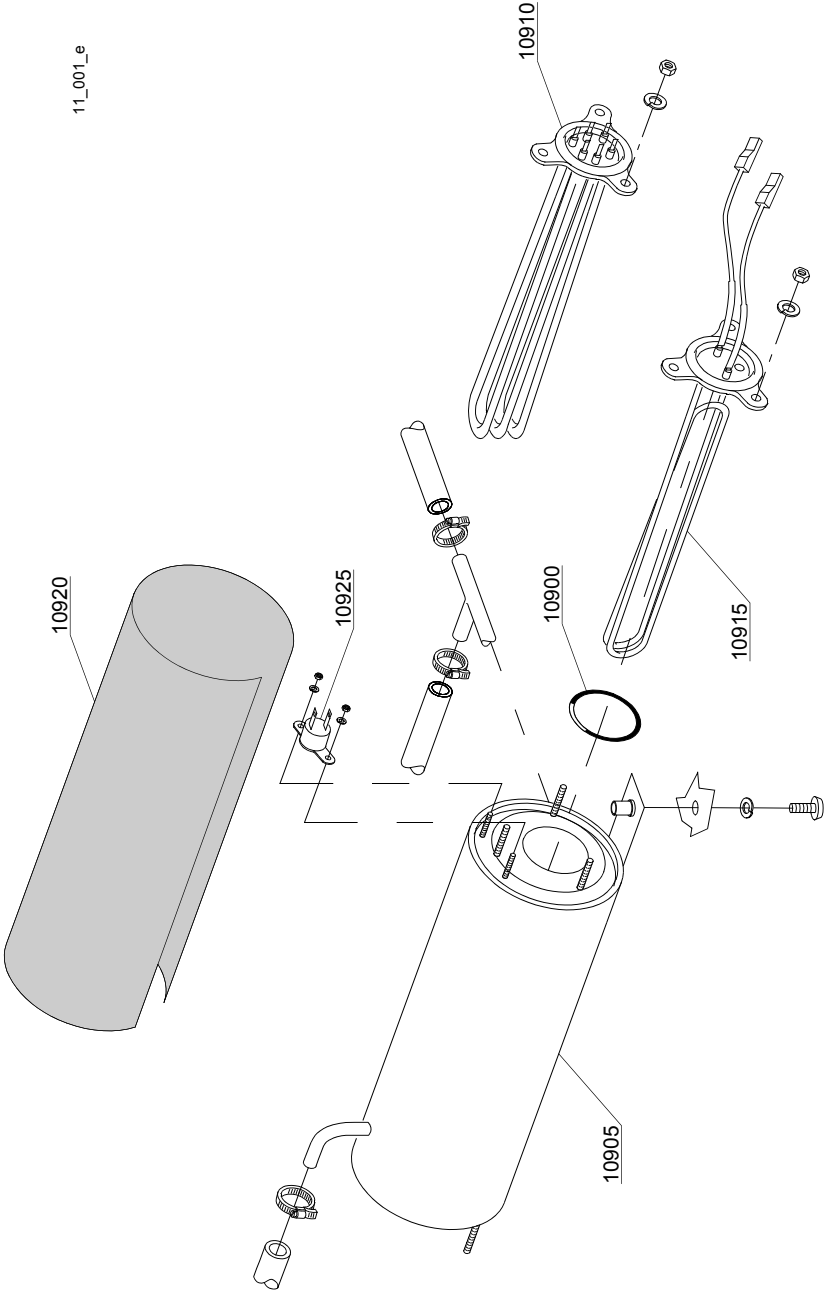
ID	P-code	Model	Type	Accessory	Voltage	Description
MODULE: Rinse aid dispenser group						
1500	10798		LUX40EL			Rinse aid dispenser
1505	12525		LUX40EL			Counter-weight
1510	15058		LUX40EL			Small filter
1515	10798/B		LUX40EL			Brass pipe fitting



10\_004\_e

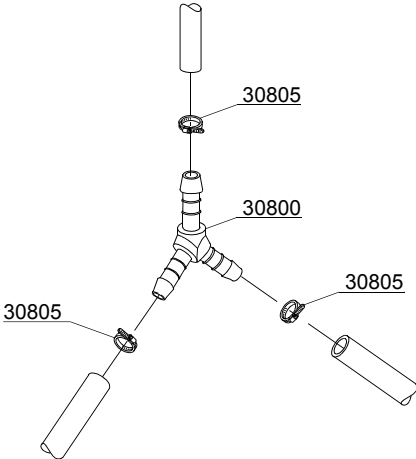
## Spare parts

ID	P-code	Model	Type	Accessory	Voltage	Description
MODULE: Rinse aid dispenser group						
4800	10805		LUX40EL			Tecnopro non return valve
4805	10806		LUX40EL			Ø22 O-ring
4810	10807		LUX40EL			Membrane
4820	10799		LUX40EL			Rinse aid dispenser
4830	12525		LUX40EL			Counter-weight
4840	15058		LUX40EL			Small filter



## Spare parts

ID	P-code	Model	Type	Accessory	Voltage	Description
MODULE:Boiler group						
10900	13010		LUX40EL			OR O-ring
10905	540006		LUX40EL			Boiler
10910	18215		LUX40EL			4/4,36kW 230/240/3 heating element
10910	18206/D		LUX40EL			2.8/3.05kW 230/240V heating element
10920	540040		LUX40EL			Insulation boiler
10925	15550		LUX40EL			Safety thermostat

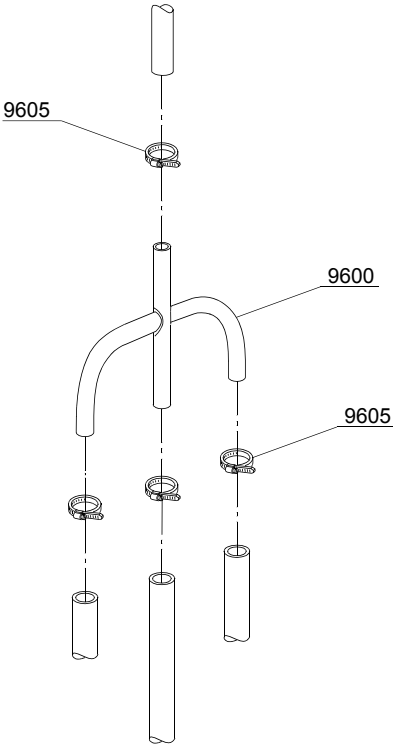


12\_003ae

## Spare parts

---

ID	P-code	Model	Type	Accessory	Voltage	Description
MODULE:3 ways connection						
30800	540090		LUX40EL	bt		Ø10 mm plastic 3 ways connection
30805	11807		LUX40EL			12/22 clamp



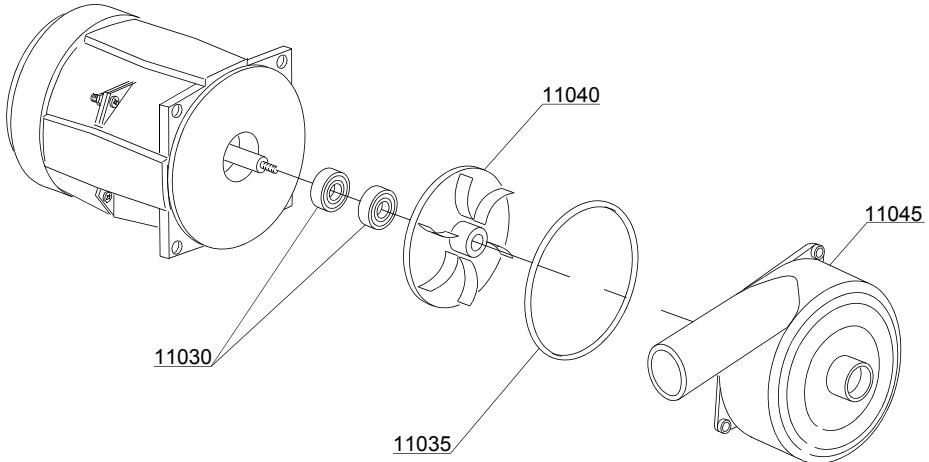
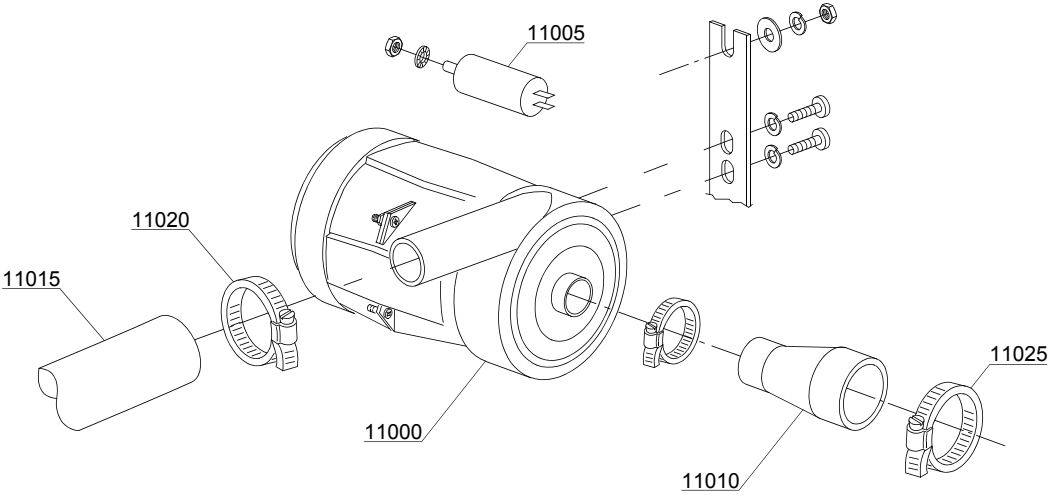
12\_004\_e

## Spare parts

---

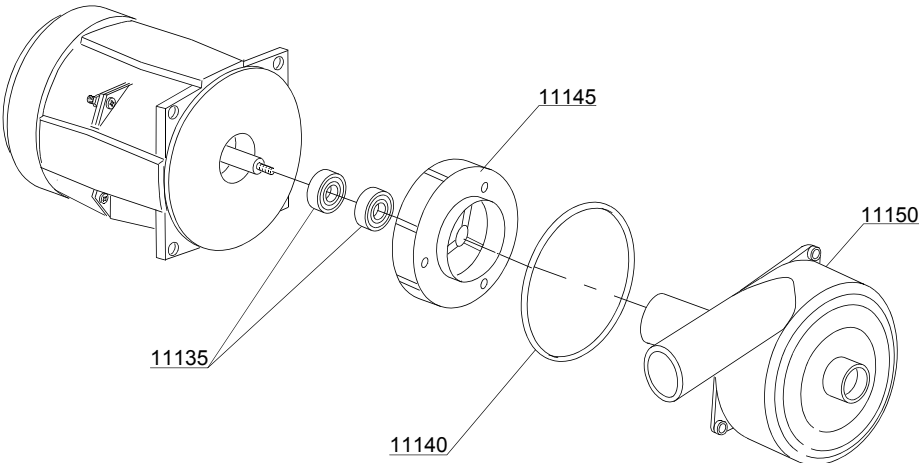
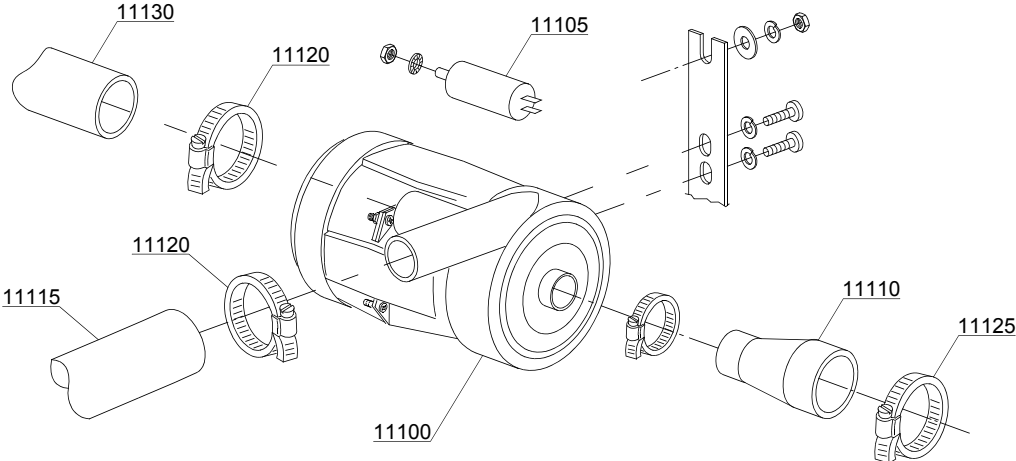
ID	P-code	Model	Type	Accessory	Voltage	Description
MODULE:4 ways connection						
9600	15151		LUX40EL			Ø10 mm 4 ways connection
9605	11807		LUX40EL			12/22 clamp

13\_001\_e



## Spare parts

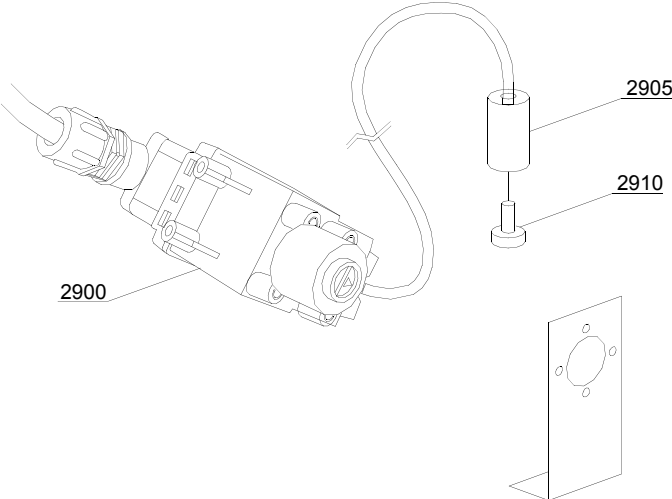
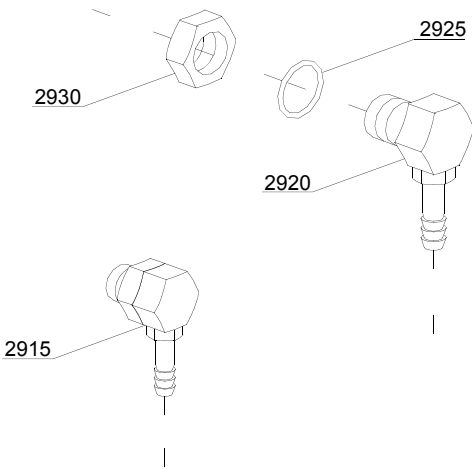
ID	P-code	Model	Type	Accessory	Voltage	Description
MODULE:Wash pump						
11000	18243		LUX40EL		A	“CF” 0,33Hp wash pump
11005	18043		LUX40EL			10 uF condenser
11010	540005		LUX40EL			Suction pipe coupling
11015	16168		LUX40EL			Lower wash delivery pipe
11020	11806		LUX40EL			25/40 clamp
11025	11824		LUX40EL			50/70 clamp
11030	15080		LUX40EL			Rotating seals
11035	18245		LUX40EL			OR O-ring
11040	18246		LUX40EL			Pump rotor
11045	18248		LUX40EL			Scroll



## Spare parts

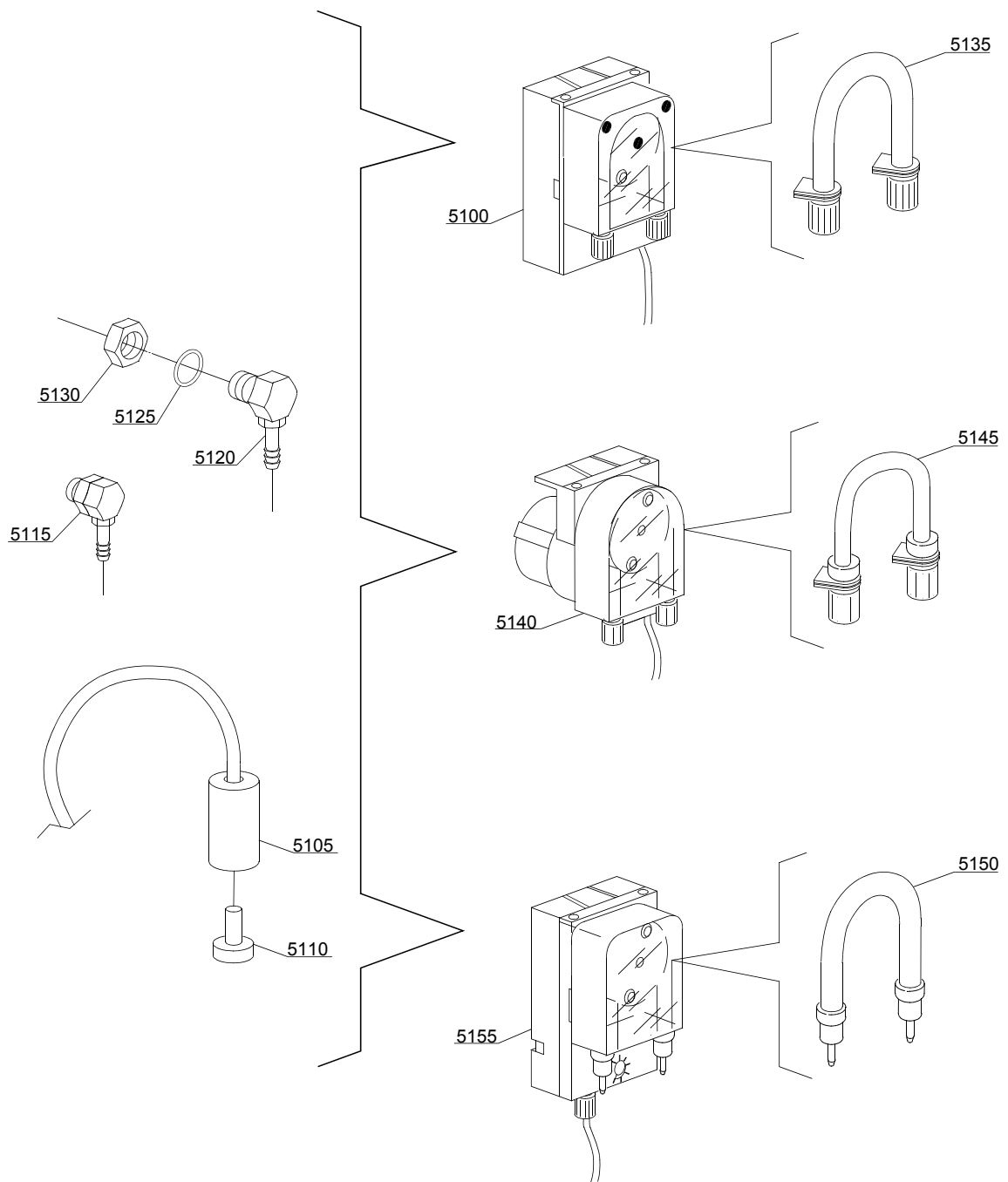
ID	P-code	Model	Type	Accessory	Voltage	Description
MODULE:Wash pump						
11100	18300		LUX40EL			“LS” 0,45Hp wash pump
11105	18043		LUX40EL			10 uF condenser
11110	540005		LUX40EL			Suction pipe coupling
11115	16168		LUX40EL			Lower wash delivery pipe
11120	11806		LUX40EL			25/40 clamp
11125	11824		LUX40EL			50/70 clamp
11130	540004		LUX40EL			Top delivery pipe
11135	15080		LUX40EL			Rotating seals
11140	18245		LUX40EL			OR O-ring
11145	18246		LUX40EL			Pump rotor
11150	18247		LUX40EL			Scroll

14\_002\_e



## Spare parts

ID	P-code	Model	Type	Accessory	Voltage	Description
MODULE:Dosing detergent group						
2900	15108/L		LUX40EL	dd		Lang detergent pump
2905	12525		LUX40EL	dd		Counter-weight
2910	15058		LUX40EL	dd		Small filter
2915	15123		LUX40EL	dd		Compleat plastic injector
2920	15148		LUX40EL	dd		Steel injector
2925	15159		LUX40EL	dd		OR O-ring
2930	10200205		LUX40EL	dd		M12x1 stainless steel nut

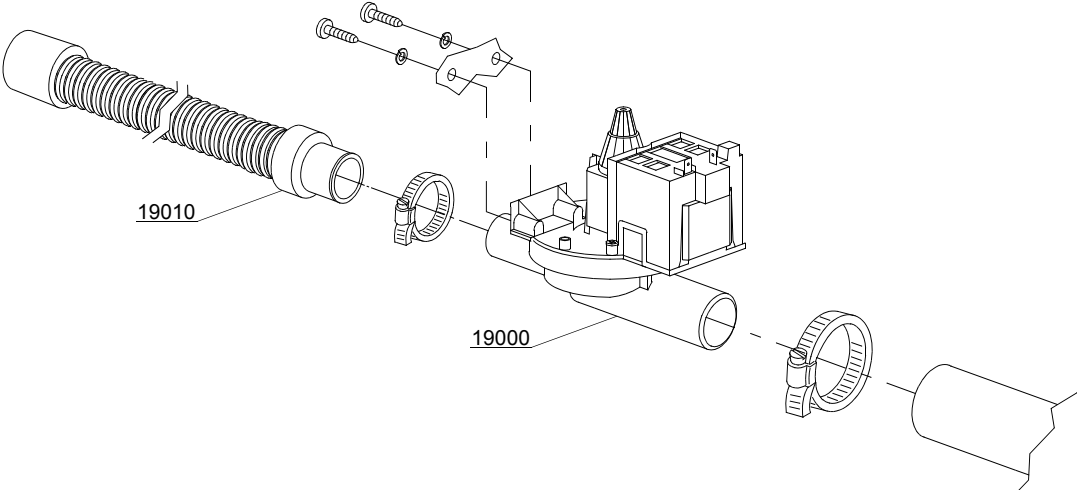


14\_004\_e

## Spare parts

ID	P-code	Model	Type	Accessory	Voltage	Description
MODULE:Dosing detergent group						
5100	15985		LUX40EL	dd		Seko detergent pump
5105	12525		LUX40EL	dd		Counter-weight
5110	15058		LUX40EL	dd		Small filter
5115	15123		LUX40EL	dd		Complet plastic injector
5120	15148		LUX40EL	dd		Steel injector
5125	15159		LUX40EL	dd		OR O-ring
5130	10200205		LUX40EL	dd		M12x1 stainless steel nut
5135	15185		LUX40EL	dd		Ø 10 Seko thermoplastic pipe
5140	15985		LUX40EL	dd		Germac detergent pump
5145	15108/E		LUX40EL	dd		Ø 8 Germac thermoplastic pipe
5150	15985/A		LUX40EL	dd		Ø 10 PLAS CONT thermoplastic pipe
5155	15985		LUX40EL	dd		PLAS CONT detergent pump

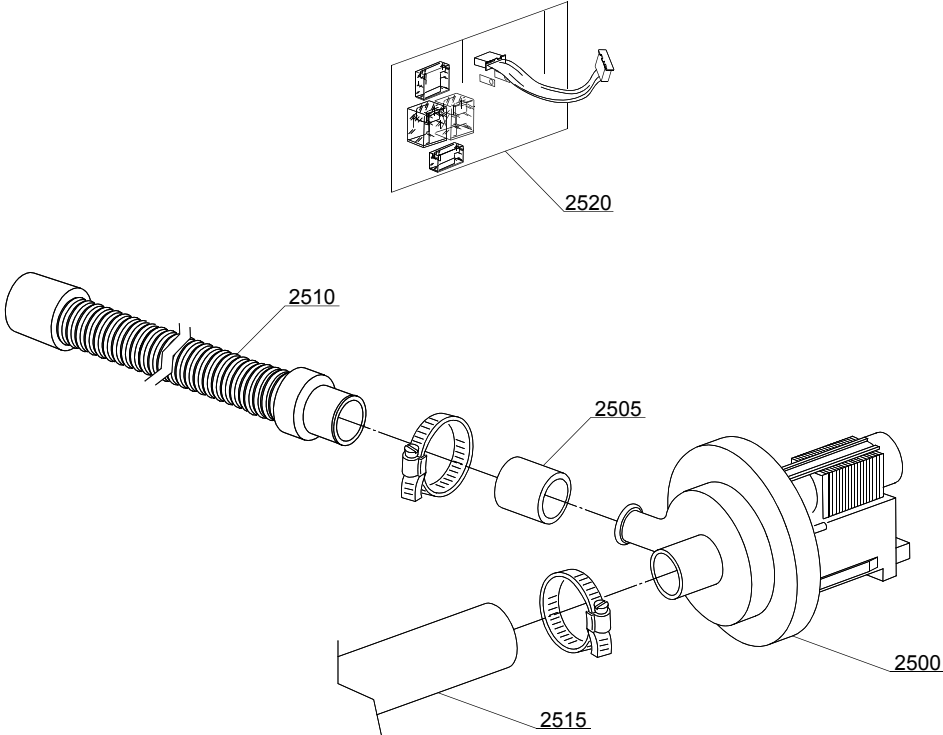
15\_002\_e



## Spare parts

---

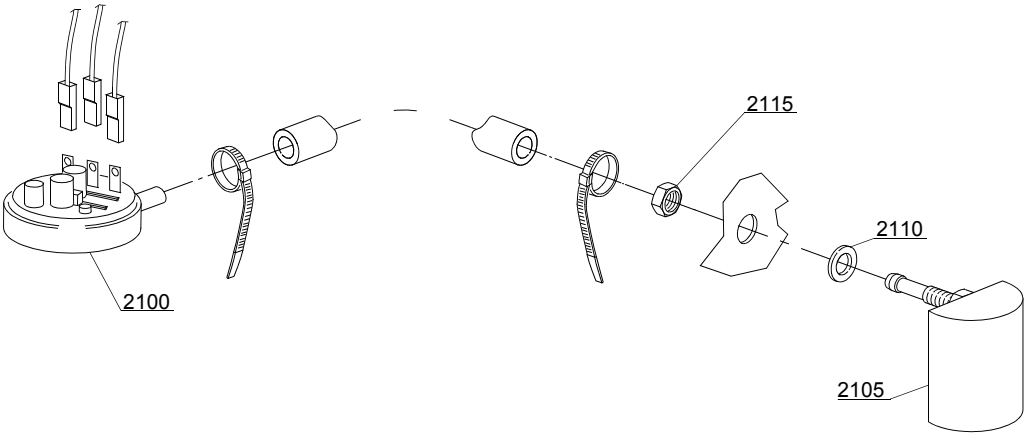
ID	P-code	Model	Type	Accessory	Voltage	Description
MODULE:Drain pump group						
19000	15101/A		LUX40EL	dp	A	Drain pump - 50Hz
19010	10727		LUX40EL	dp		Drain pipe



15\_004\_e

## Spare parts

ID	P-code	Model	Type	Accessory	Voltage	Description
MODULE:Drain pump group						
2500	15101		LUX40EL	dp		Drain pump 220/240V 50Hz
2505	15101/D		LUX40EL	dp		Pipe fitting
2510	10727		LUX40EL	dp		Drain pipe
2515	18044		LUX40EL	dp		Ø28 top wash pipe
2520	50554		LUX40EL	dp		Electronic timer for Exp - Ps card

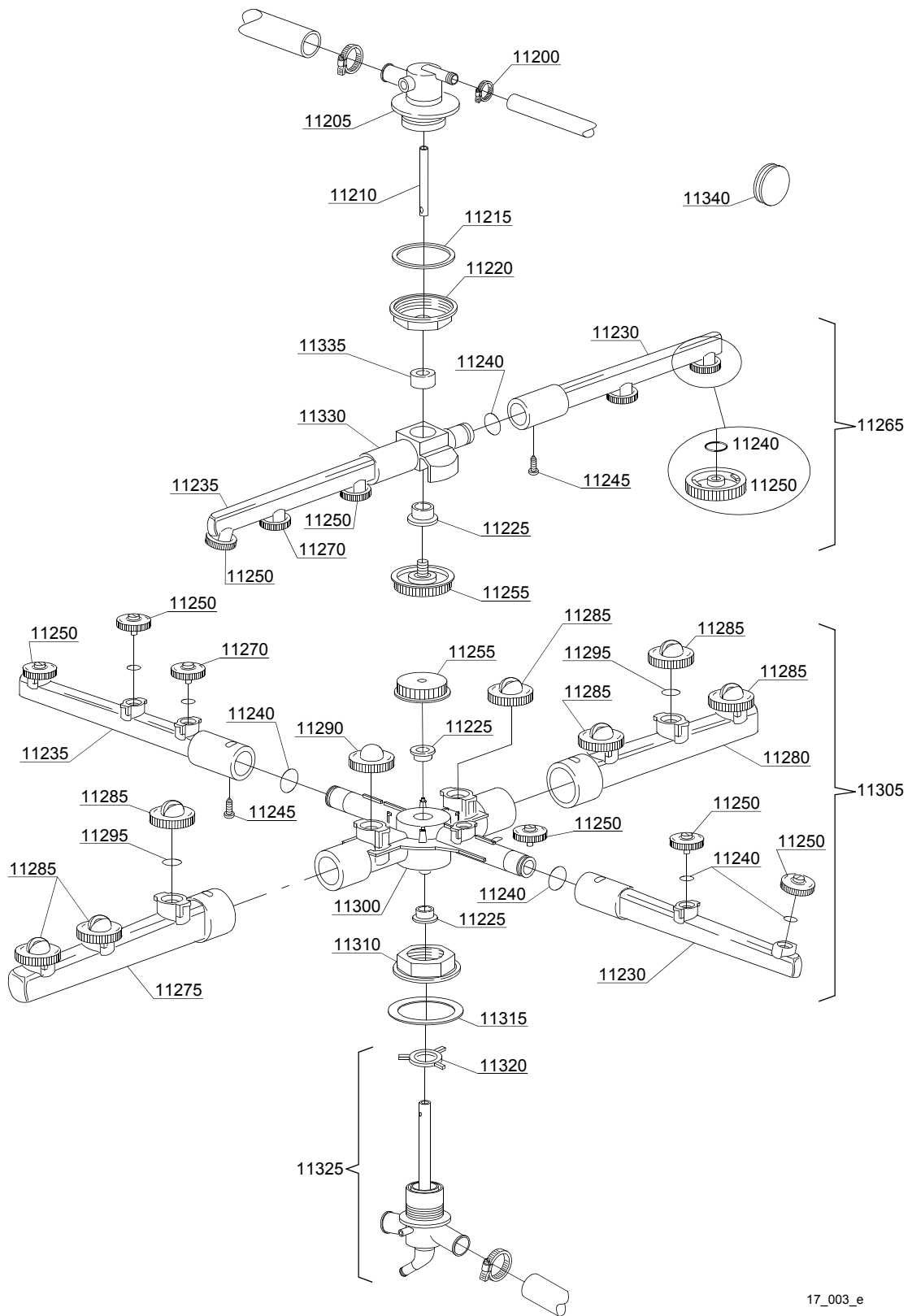


16\_001\_e

## Spare parts

---

ID	P-code	Model	Type	Accessory	Voltage	Description
MODULE:Pressure switch group with air trap						
2100	10706/A		LUX40EL			47-27 pressure switch
2105	10911/B		LUX40EL			Air trap assembly
2110	13301		LUX40EL			O-ring
2115	11702		LUX40EL			M8 stainless steel nut



17\_003\_e

## Spare parts

ID	P-code	Model	Type	Accessory	Voltage	Description
MODULE:Turret group with rotating arms						
11200	11807		LUX40EL			12/22 clamp
11205	540048		LUX40EL			Top turret for rinse rotor
11210	540014		LUX40EL			Top rinse axle
11215	540032		LUX40EL			Ø57x43x1,5 plane O-ring
11220	540070		LUX40EL			Ø10 hole closed nut
11225	13319		LUX40EL			Sliding washer
11230	10374		LUX40EL			Right rinse pipe
11235	10373		LUX40EL			Left rinse pipe
11240	13002		LUX40EL			OR R6 NBR O-ring
11245	11004		LUX40EL			4x10 TCB Ø8 spax toothed screw
11250	10371		LUX40EL			Opened head rinse nozzle
11255	10365		LUX40EL			Handle with insert
11265	10997		LUX40EL			Top rinse group
11270	10372		LUX40EL			Closed head rinse nozzle
11275	10367		LUX40EL			Right wash pipe
11280	10368		LUX40EL			Left wash pipe
11285	10369		LUX40EL			Opened head wash nozzle
11290	10370		LUX40EL			Closed head wash nozzle
11295	13009		LUX40EL			OR 2050 NBR O-ring
11300	10376		LUX40EL			Wash rotor
11300	540013		LUX40EL			Wash rotor
11305	540999		LUX40EL			Lower wash/rinse group
11310	540069		LUX40EL			Turret fixing nut
11315	540034		LUX40EL			Ø57x43x4 turret plane O-ring
11320	10225		LUX40EL			Guide pipe
11325	540068		LUX40EL			Lower turret assembly for rotor
11330	10359		LUX40EL			Rinse rotor
11335	13320		LUX40EL			Sliding washer
11340	13316/A		LUX40EL			DVGW hole O-ring



## Spare parts

ID	P-code	Model	Type	Accessory	Voltage	Description
MODULE:Turret group with rotating arms						
11400	11807		LUX40EL			12/22 clamp
11405	540072		LUX40EL			Top turret grey assembly for rotor
11415	540032		LUX40EL			Ø57x43x1,5 plane O-ring
11425	13319		LUX40EL			Sliding washer
11430	10374		LUX40EL			Right rinse pipe
11435	10375		LUX40EL			Left rinse pipe
11440	13002		LUX40EL			OR R6 NBR O-ring
11445	11004		LUX40EL			4x10 TCB Ø8 spax toothed screw
11450	10372		LUX40EL			Opened head rinse nozzle
11455	10377		LUX40EL			Handle with insert
11470	10371		LUX40EL			Closed head rinse nozzle
11475	10367		LUX40EL			Right wash pipe
11480	10368		LUX40EL			Left wash pipe
11485	10378		LUX40EL			1,9 opened head wash nozzle
11490	10370		LUX40EL			Closed head wash nozzle
11495	13009		LUX40EL			OR 2050 NBR O-ring
11500	540043		LUX40EL			Wash rotor
11505	540996		LUX40EL			Top/lower wash/rinse group
11510	540069		LUX40EL			Turret fixing nut
11515	540034		LUX40EL			Ø57x43x4 turret plane O-ring
11520	10225		LUX40EL			Guide pipe
11525	540068		LUX40EL			Lower turret grey assembly for rotor
11530	18249		LUX40EL			Flux reducer
11535	13316/A		LUX40EL			DVGW hole O-ring