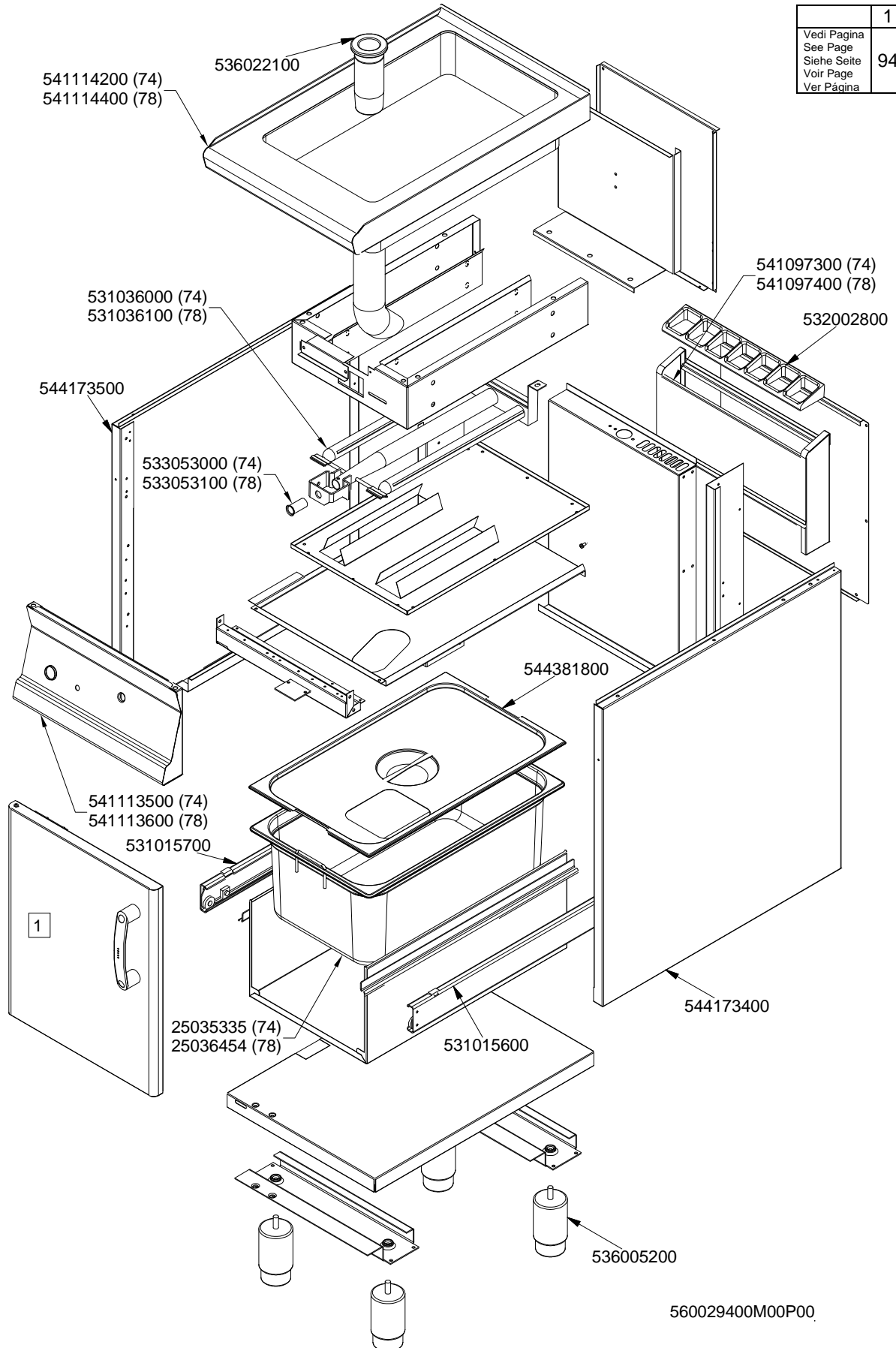


# SUPERLOTUS 70≤0601

GAS / GAS / GAS / GAZ

## BRF-74G BRF-78G

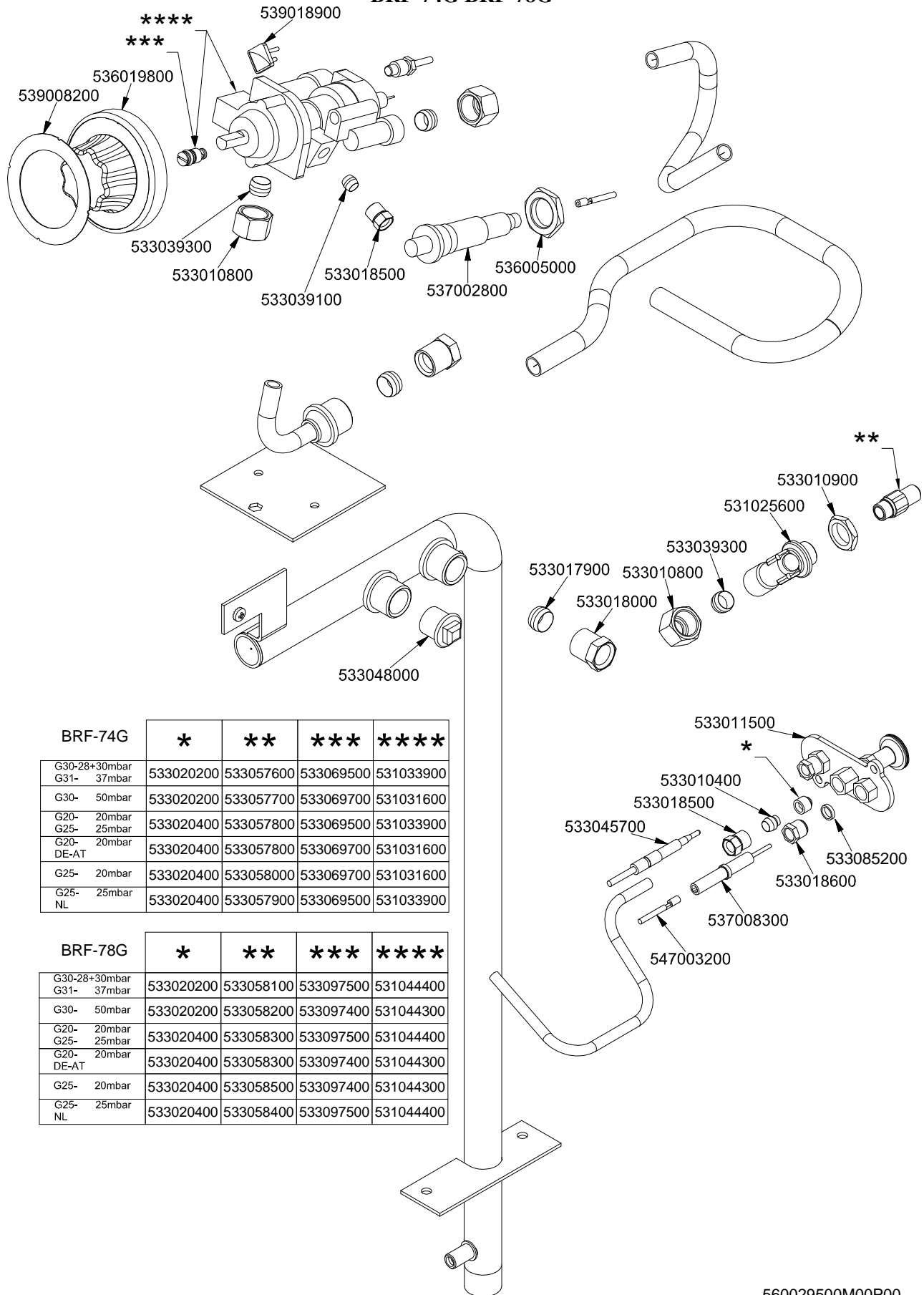
	1
Vedi Pagina See Page Siehe Seite Voir Page Ver Página	94



# SUPERLOTUS 70≤0601

GAS / GAS / GAS / GAZ

## BRF-74G BRF-78G

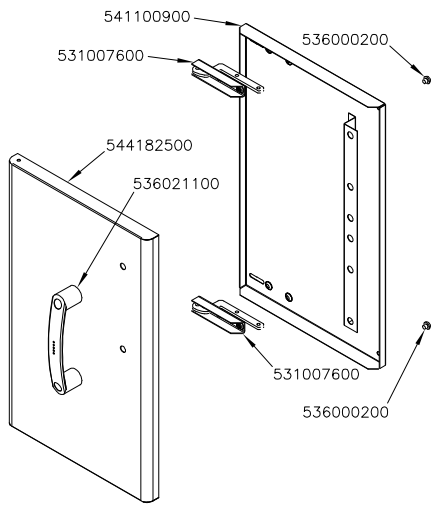


BRF-74G	*	**	***	****
G30-28+30mbar G31- 37mbar	533020200	533057600	533069500	531033900
G30- 50mbar	533020200	533057700	533069700	531031600
G20- 20mbar G25- 25mbar	533020400	533057800	533069500	531033900
G20- DE-AT	533020400	533057800	533069700	531031600
G25- 20mbar	533020400	533058000	533069700	531031600
G25- NL	533020400	533057900	533069500	531033900

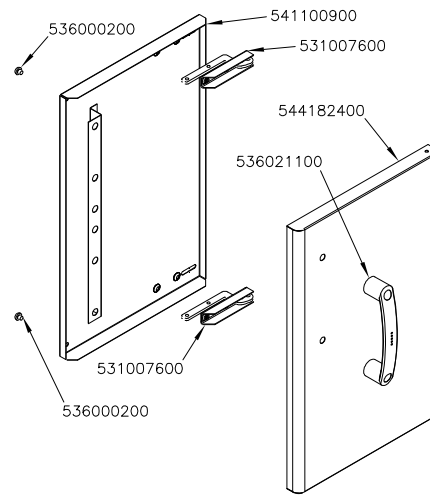
BRF-78G	*	**	***	****
G30-28+30mbar G31- 37mbar	533020200	533058100	533097500	531044400
G30- 50mbar	533020200	533058200	533097400	531044300
G20- 20mbar G25- 25mbar	533020400	533058300	533097500	531044400
G20- DE-AT	533020400	533058300	533097400	531044300
G25- 20mbar	533020400	533058500	533097400	531044300
G25- NL	533020400	533058400	533097500	531044400

560029500M00P00

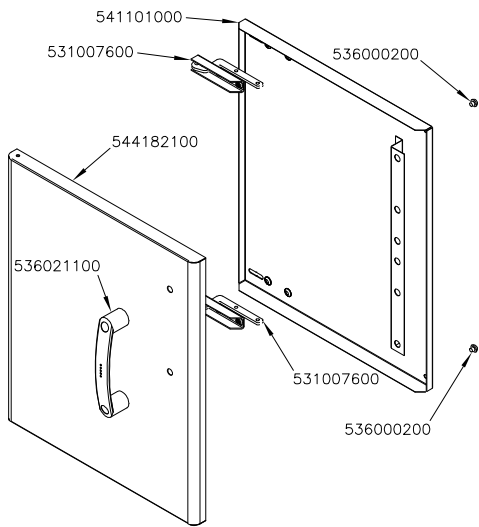
**PORTE / DOORS / FLÜGELÜREN / PORTES**



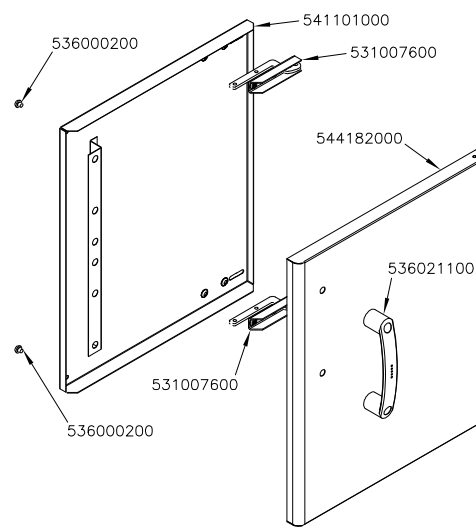
P-73/93 SX



P-73/93 DX

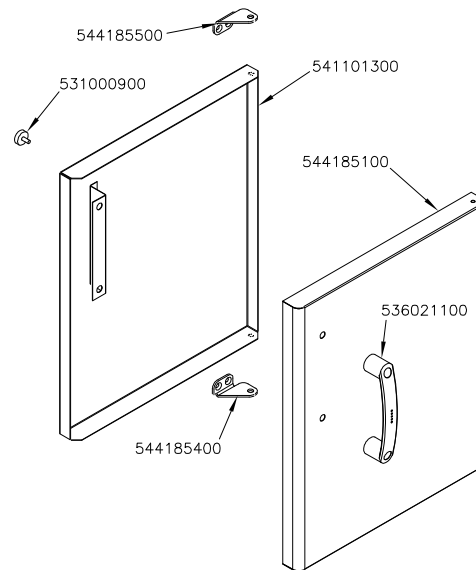


P-74/94 SX



P-74/94 DX

560012800M00P00



P-74/94 DX CF

Page	Pos	Code	Description
001		536022100	PLUG FOR BRF BASIN
001		541114200	UPPER PLATE BRF-74G
001		532002800	GRID FOR PIPE L=370 S.70
001		544173500	LEFT SIDE PANEL S.70
001		541097300	SPACER 74G
001		531036000	BURNER BRF-74G 07KW
001		533053000	AIR ADJUSTMENT BUSHING §18
001		531015700	LHD TELESCOPIC GUIDE RS50 L=570
001		544381800	GN1/1 LID BRF W/MANUAL DISCHARGE
001		541113500	UPPER PLATE BRF-74G
001		544173400	RIGHT SIDE PANEL S.70
001		25035335	
001		531015600	RHD TELESCOPIC GUIDE RS50 L=570
001		536005200	INOX LEG 2" 120-180 M10
002		539018900	INDEX FOR KNOB
002		536019800	BLACK KNOB §70 PIN §8*6,5
002		539008200	ADHESIVE GRADUATED DISC FOR KNOB
002		533039300	BICONE §10
002		533010800	TUBE NUT D.10 M16*1,5
002		533039100	BICONE §6
002		533018500	FITTING FOR BICONE D.6 M10*1
002		537002800	PIEZOELECTRIC IGNITION M18
002		536005000	NUT M18 FOR PIEZOELECTRIC IGNITION
002		533010900	NUT M14*1 H.4
002		531025600	ELBOW 90° NOZZLE-HOLDER §10 PIPE
002		533017900	BICONE D.12
002		533018000	ELBOW FOR BICONE D.12 3/8 RS L20
002		533048000	THREADED CAP 3/8"G
002		533011500	PILOT BURNER 2 FLAMES 220
002		533010400	BICONE D.6
002		533045700	THERMOCOUPLE M9*1 500
002		533085200	
002		533018600	PLUG FITTING
002		537008300	ROUND PLUG §2,4- LONG ELECTRODE
002		547003200	HIGH-VOLTAGE CABLE TUBE.§2 L=500
002		533020200	PILOT JETS 0160 FOR LPG §30
002		533057600	NOZZLE §115A CH12*30 G-BRF74
002		533069500	BY PASS COCK §085 25ST
002		531033900	HORIZON.THERMOSTATIC TAP BYPASS §85
002		533057700	NOZZLE §130A CH12*30 F-BRF74
002		533069700	BY PASS COCK §075 25ST
002		531031600	HORIZON.THERMOSTATIC TAP BY-PASS 75
002		533020400	NOZZLE 0160 (NATURAL GAS) 51
002		533057800	NOZZLE §205A CH12*30 H-BRF74
002		533058000	NOZZLE §225A CH12*30 L-BRF74
002		533057900	NOZZLE §215A CH12*30 NL-BRF74
003		541100900	INNER DOOR 73
003		536000200	D.12 H.4 BUMPER
003		531007600	DOOR HINGE
003		544182500	RIGHT DOOR 73
003		536021100	BLACK HANDLE 70LINE + 2RED POINTS

<b>Page</b>	<b>Pos</b>	<b>Code</b>	<b>Description</b>
003		544182400	RIGHT DOOR 73
003		541101000	INNER DOOR 74
003		544182100	LEFT DOOR 74
003		544182000	RIGHT DOOR 74
003		544185500	UPPER DOOR HINGE FOR COMPARTME CF70
003		541101300	RIGHT INNER DOOR 74 CF
003		531000900	MAGNET §22 KG.3 WITH DISK
003		544185100	RIGHT DOOR 74
003		544185400	LOWER DOOR HINGE FOR COMPARTME CF70