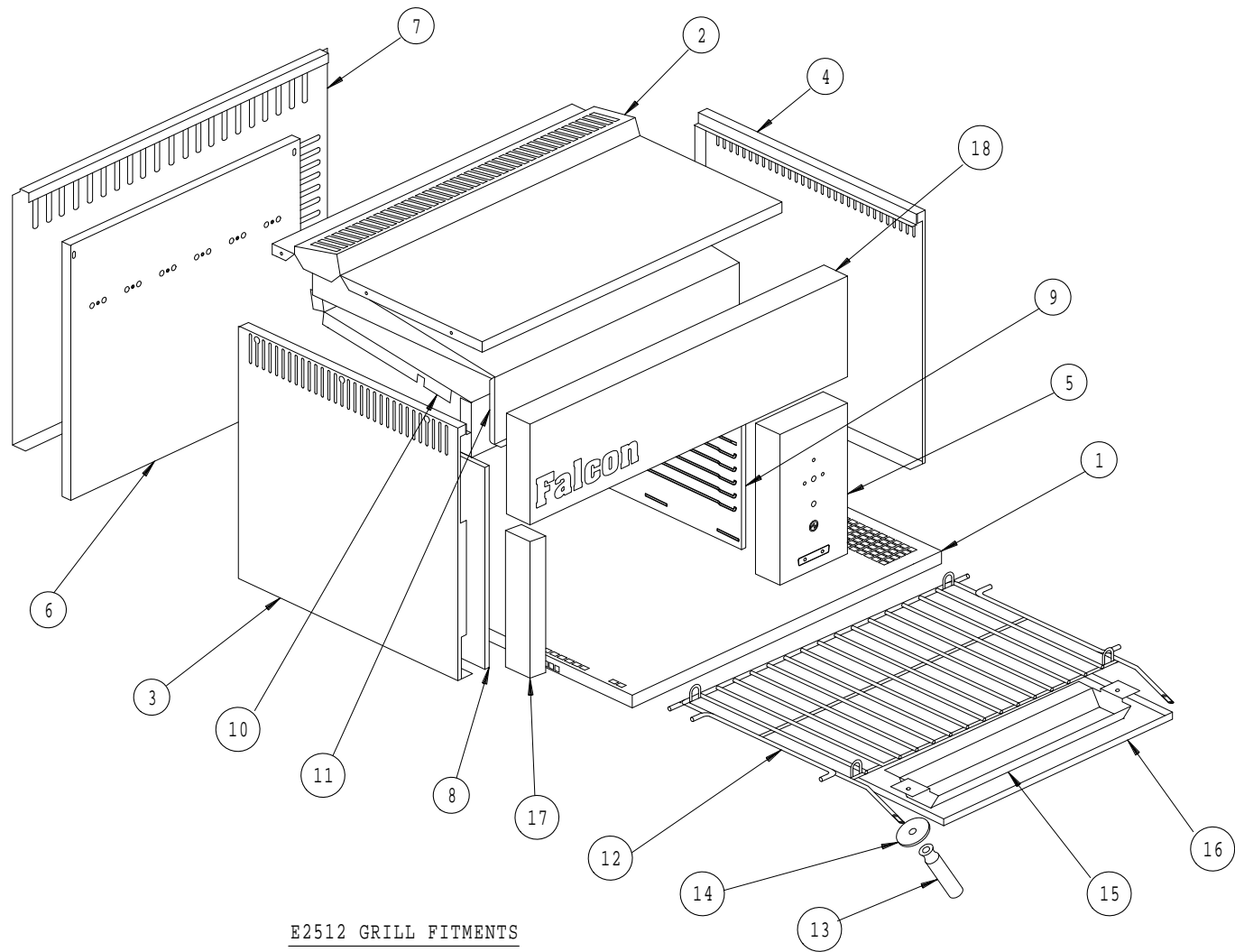
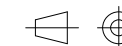


IF IN DOUBT ASK!!

DO NOT SCALE !!

First Angle Projection



ITEM	DESCRIPTION	SPARES No
1	Base	531610190
2	Outer Top	531610170
3	Outer Side LH	535910008
4	Outer Side RH	531610250
5	Control Panel	731580002
6	Inner Back	731580004
7	Outer Back	731580005
8	Inner Side LH	531610390
9	Inner Side RH	531610350
10	Inner Top	531610200
11	Cooling Plate	531610210
12	Wire Grid	731540051
13	Handle for Wire Grid	531532190
14	Disc for Wire Grid	531532200
15	Drip Trough	731580000
16	Drip Tray	731580001
17	Front Trim	535910006
18	Front Facia	535910007

E2512 GRILL FITMENTS

All Dimensions in millimetres, Tolerance- Linear  $\pm 0.5\text{mm}$  Angular  $\pm 0.5^\circ$  (or as stated)

A	948	PRODUCTION ISSUE		S.MOONEY	7/9/03
Issue	Mod No.	Alteration	Zone	Drawn by	Date



Drawn	S.MOONEY	Product	E2512 GRILL	
Date	21/7/03	Title	SPARES DIAGRAM-FITMENTS	
Scale		Drawing Number	AD41569	Issue
Matl.				A
No. off		Finish		
Bin No.	RZZ370	Kraus No.		

This part is common to the following units

© No reproduction or publication of this drawing may be made and no article may be manufactured or assembled in accordance with this drawing without prior written consent. This prohibition is a condition of any contract relating to this drawing. Rights reserved under the Copyright Act 1956 as amended by the Design Copyright Act 1988.

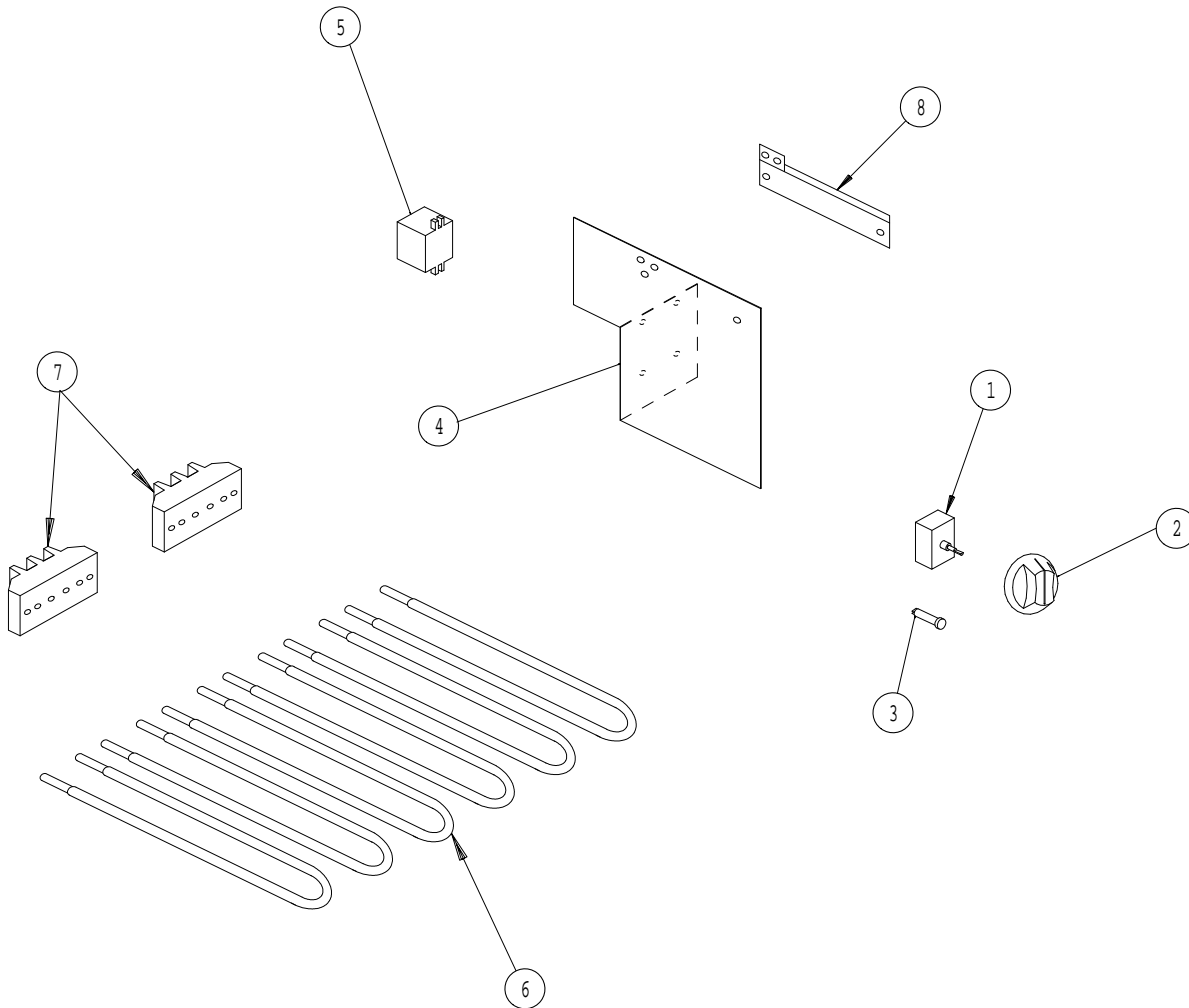
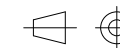
**UNCONTROLLED**

Falcon Foodservice Equipment. Wallace View Hillfoots Road Stirling Scotland

IF IN DOUBT ASK!!

DO NOT SCALE !!

First Angle Projection



ITEM	DESCRIPTION	SPARES No
1	Energy Regulator	737630011
2	Control Knob	731570001
3	Neon Indicator	730400180
4	Relay Bracket	731580009
5	Relay	731580008
6	Element	731540400
7	Terminal Block	731580006
8	Mains Terminal Block	731580010

E2512 GRILL CONTROLS

All Dimensions in millimetres, Tolerance- Linear  $\pm 0.5\text{mm}$  Angular  $\pm 0.5^\circ$  (or as stated)

A	948	ISSUED FOR PRODUCTION		S.MOONEY	7/8/03
Issue	Mod No.	Alteration	Zone	Drawn by	Date



Drawn S.MOONEY	Product <b>E2512 GRILL</b>	
Date 22/7/03	Title <b>SPARES DIAGRAM-CONTROLS</b>	
Scale	Drawing Number <b>AD41570</b>	Issue <b>A</b>
Matl.	Finish	
No. off	Kraus No.	
Bin No. RZZ370		

No reproduction or publication of this drawing may be made and no article may be manufactured or assembled in accordance with this drawing without prior written consent. This prohibition is a condition of any contract relating to this drawing. Rights reserved under the Copyright Act 1956 as amended by the Design Copyright Act 1988.

This part is common to the following units

**UNCONTROLLED**