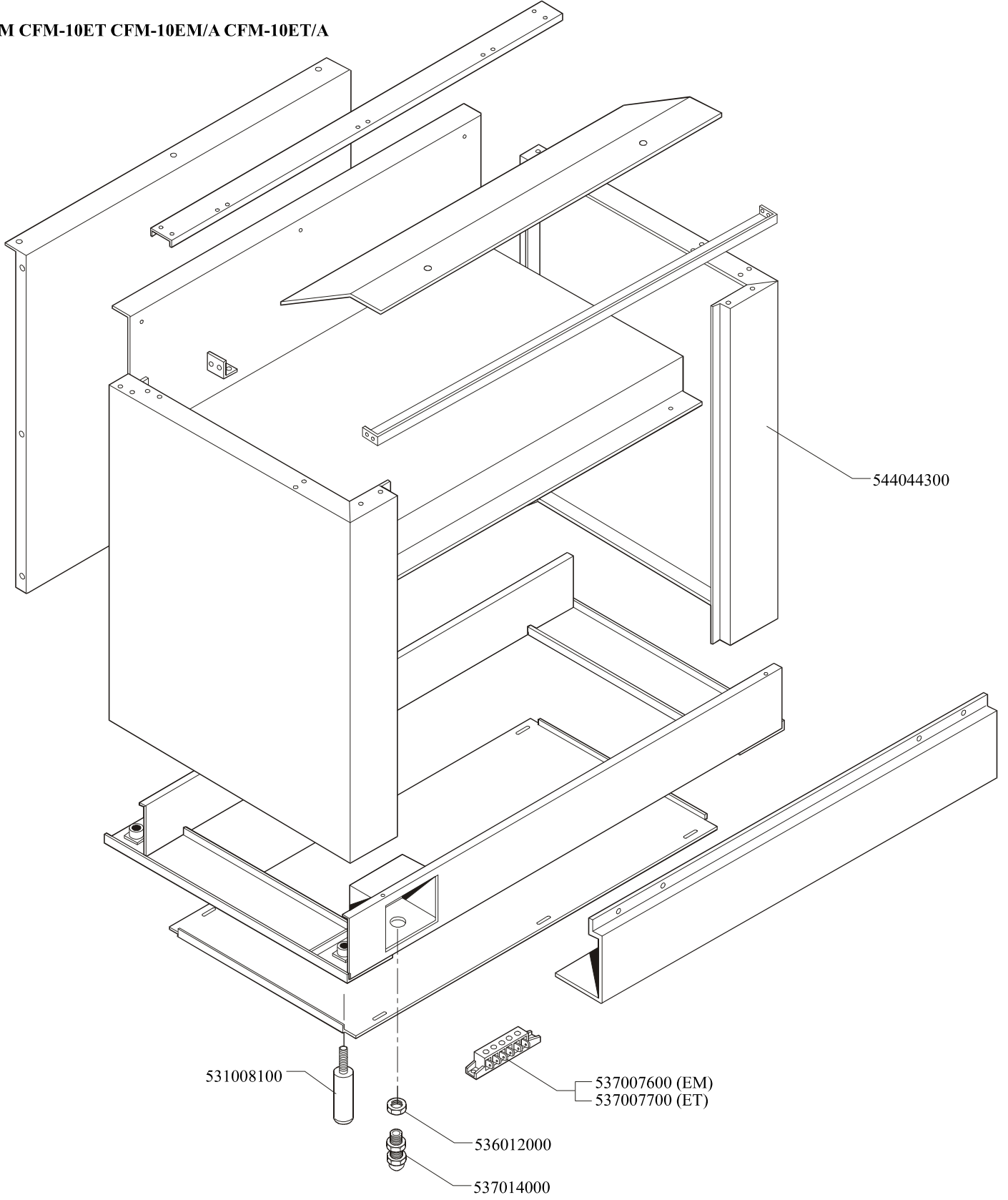
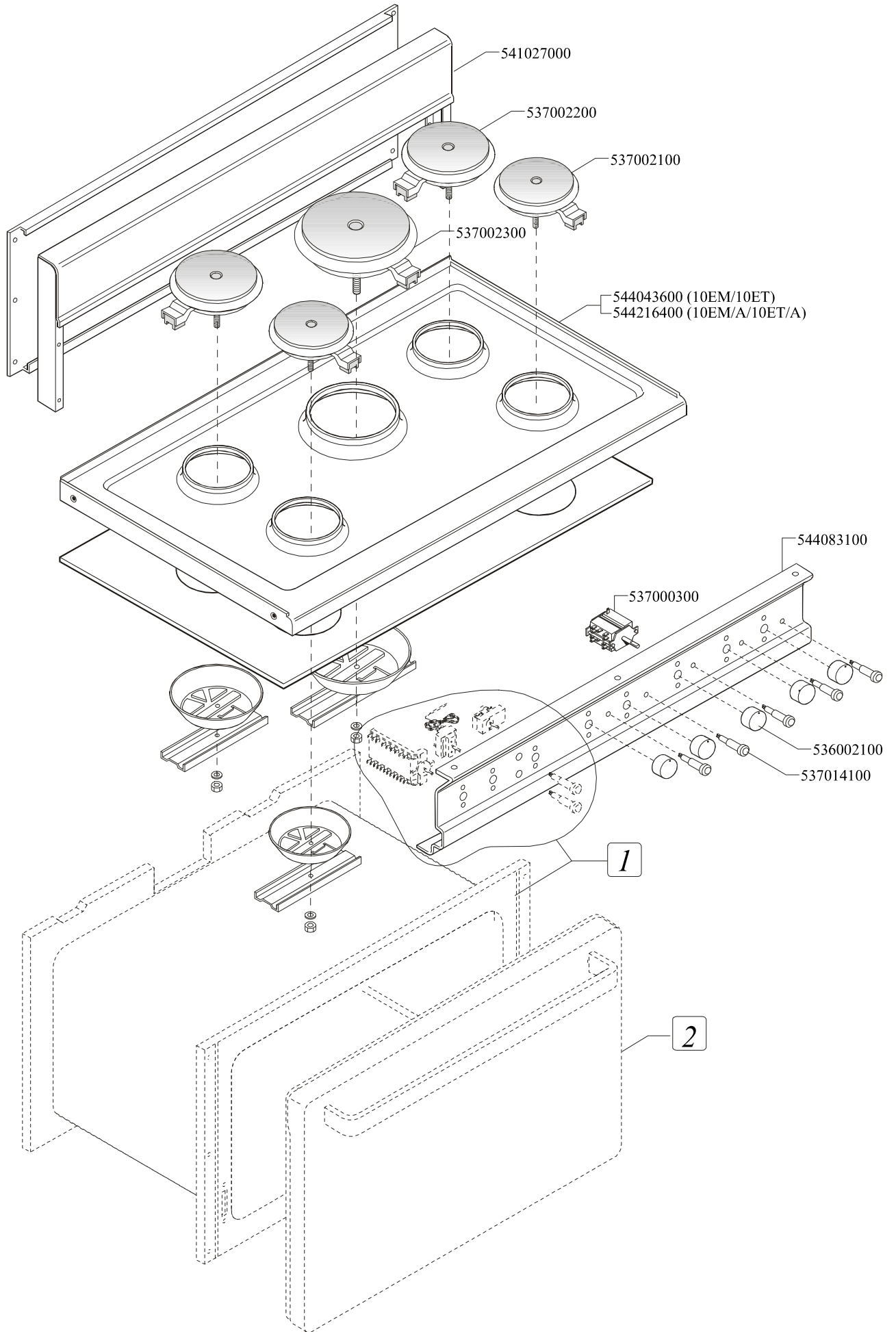


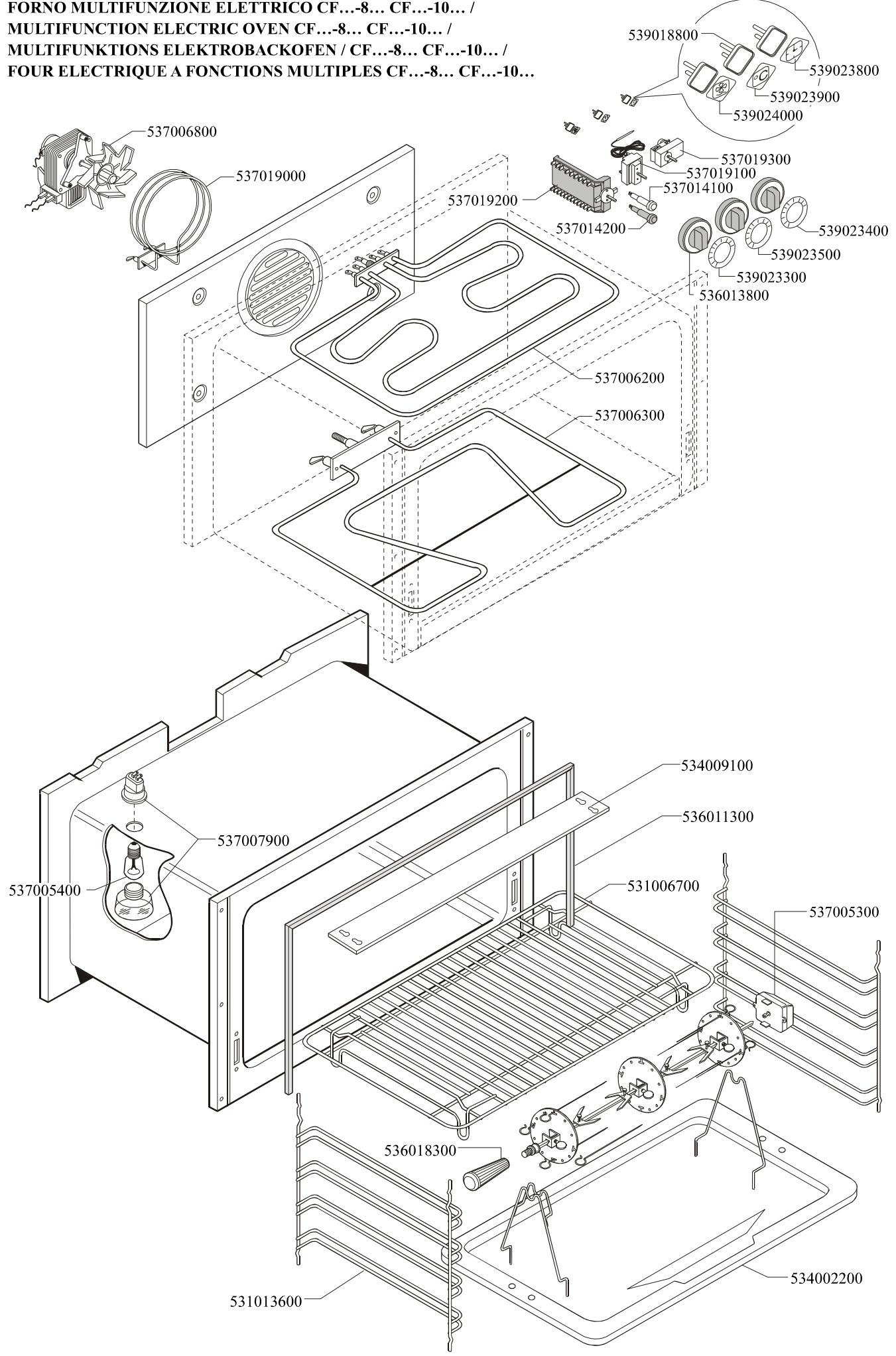
CFM-10EM CFM-10ET CFM-10EM/A CFM-10ET/A



CFM-10EM CFM-10ET CFM-10EM/A CFM-10ET/A

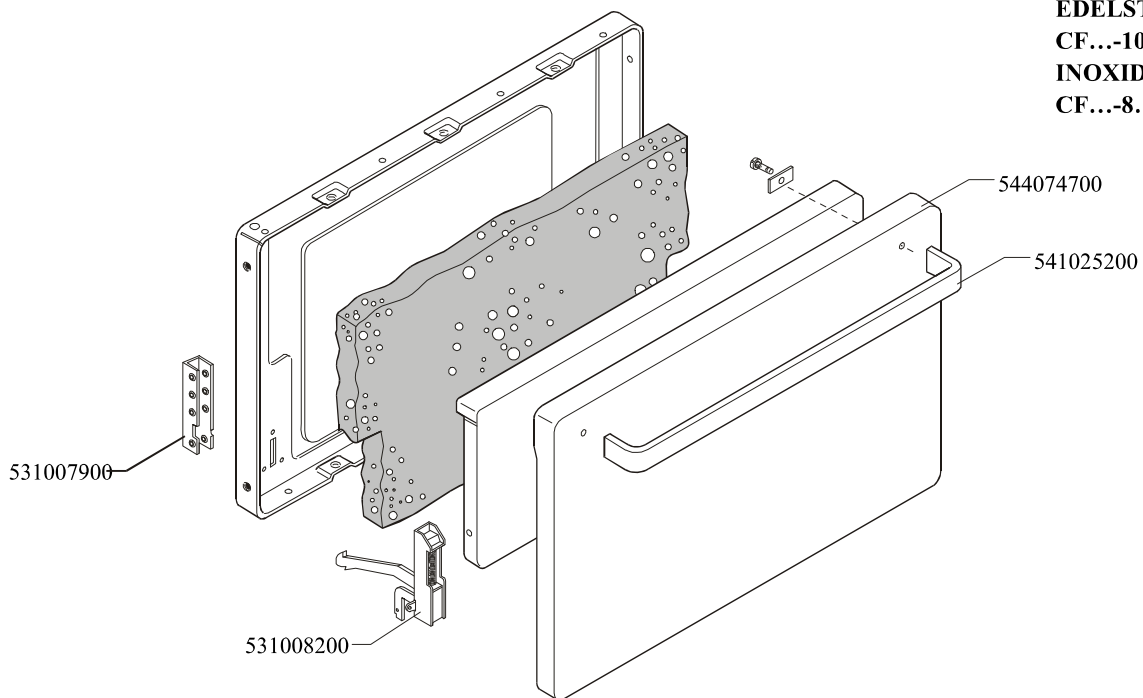


FORNO MULTIFUNZIONE ELETTRICO CF...-8... CF...-10... /
MULTIFUNCTION ELECTRIC OVEN CF...-8... CF...-10... /
MULTIFUNKTIONS ELEKTROBACKOFEN / CF...-8... CF...-10... /
FOUR ELECTRIQUE A FONCTIONS MULTIPLES CF...-8... CF...-10...

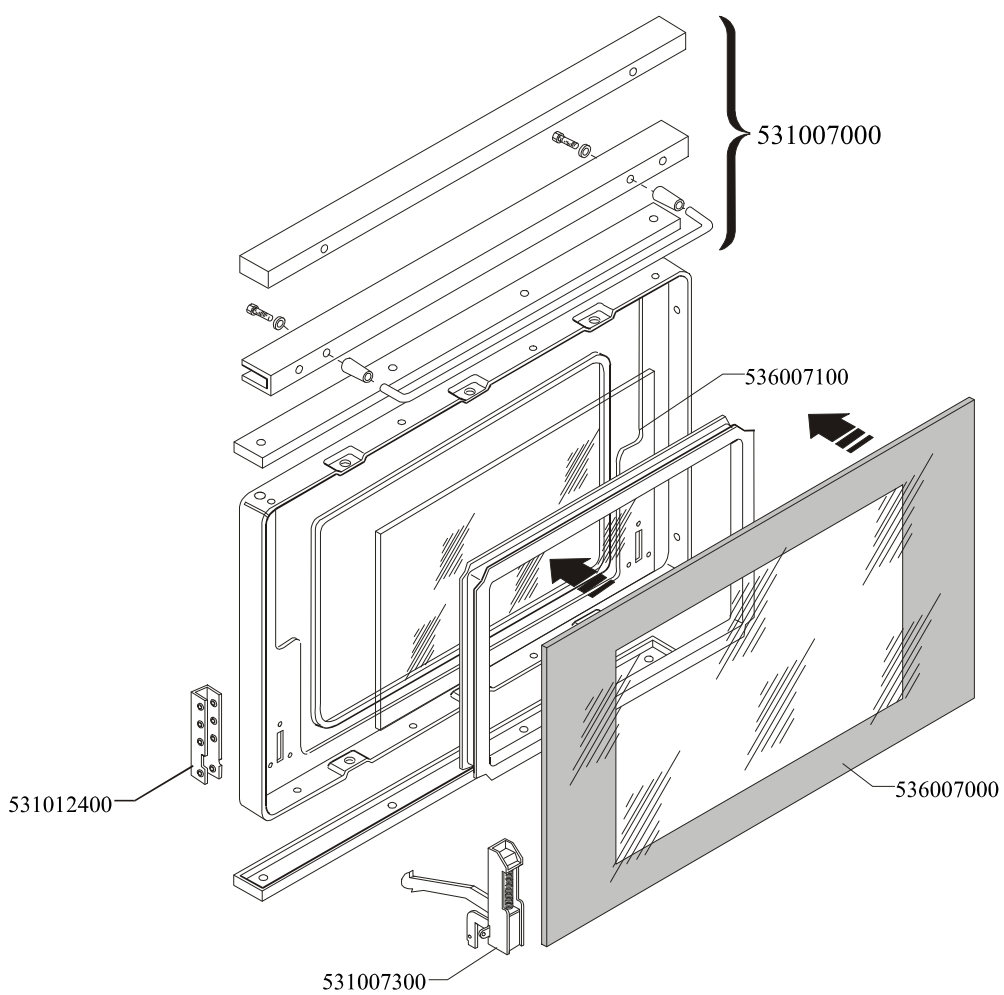


531012700

PORTE INOX/VETRO FORNO CF...-8...
CF...-10... / STAINLESS-STEEL/GLASS
DOORS OVEN CF...-8... CF...-10... /
EDELSTAHL/GLASTÜREN OFEN CF...-8...
CF...-10... / PORTES EN ACIER
INOXIDABLE/VITRES POUR FOUR
CF...-8... CF...-10...



531009600



Page	Pos	Code	Description
001		544044300	SIDE 1000 RANGE
001		537007700	TERMINAL BLOCK THREEPHASE 40A
001		536012000	HEXAGONAL LOCK NUT PG-21
001		537014000	CABLE SECURING CLAMP PG-21
001		531008100	ADJUSTABLE LEG H9 CHROME
002		541027000	NEUTRAL SPACER 1000
002		537002200	ELECTRICAL PLATE D.180 W1500 V230
002		537002100	ELECTRICAL PLATE D.145 W1000 V230
002		537002300	ELECTRICAL PLATE D.220 W2000 V230
002		544043600	UPPER PLATE CF-10E
002		544083100	CONTROL PANEL FOR RANGE CFM-10ET
002		537000300	COMMUTATOR 7 POSITIONS S.49 16A
002		536002100	KNOB 7 POSITIONS SNACK
002		537014100	WHITE WARNING LIGHT 250V
003		537006800	FAN 240V CF-62
003		537019100	THERMOSTAT FOR MULTIFUNCTION OVEN
003		539018800	INDEX FOR OVEN KNOB
003		539023800	SIGN PLATE FOR OVEN TIMER
003		539023900	SIGN PLATE FOR OVEN TEMPERATURE
003		539024000	SIGN PLATE FOR OVEN SELECTOR
003		537019300	TIMER FOR MULTIFUNCTION OVEN
003		539023400	ADHESIVE GRADUATED DISC F.KNOB
003		539023500	ADHESIVE GRAD.DISC *E.MULTIF.TERM.
003		539023300	ADHESIVE GRADUATED DISC FOR KNOB
003		536013800	KNOB D.70 BLACK 6*5 WITH SPRING
003		537014100	WHITE WARNING LIGHT 250V
003		537014200	GREEN WARNING LIGHT 250V
003		537019200	SELECTOR FOR MULTIFUNCTION OVEN
003		537006200	UPPER OVEN HEATING EL.1000+2000W
003		537006300	LOWER OVEN HEATING EL.W1750 230CF8/
003		537005400	OVEN BULB 15W 300°C
003		537007900	OVEN BULB-SOCKET
003		534009100	GRILL PROTECTION CF-8/10
003		536011300	OVEN GASKET CF-8/10
003		531006700	OVEN GRID FOR CF-8/10
003		537005300	MOTOR FOR SPIT CF-8/10
003		534002200	OVEN DRIPPING-PAN CF-8/10
003		531013600	SIDE GRID FOR MAXI/VENTILATED OVEN
004		531012700	STAINLESS STEEL OVEN DOOR CF-8/10
004		531007900	STAINLESS STEEL DOOR WHEEL HOLDER
004		531008200	STAINLESS STEEL DOOR HINGE CF-8/10
004		544074700	STAINLESS STEEL OVEN DOOR PANEL
004		541025200	STAINLESS STEEL OVEN DOOR HANDLE
004		531009600	COMPLETE GLASS OVEN DOOR
004		531012400	GLASS DOOR WHEEL HOLDER CF-8/10
004		531007300	GLASS DOOR HINGE CF-8/10
004		536007100	INTERNAL GLASS OVEN DOOR CF-8/10
004		536007000	EXTERNAL GLASS OVEN DOOR CF8/10