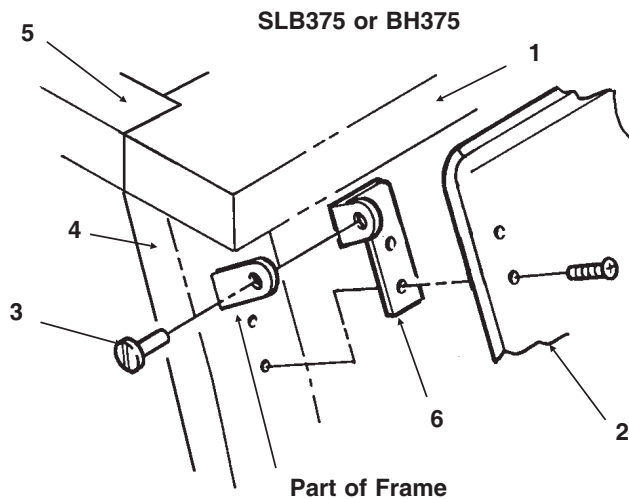
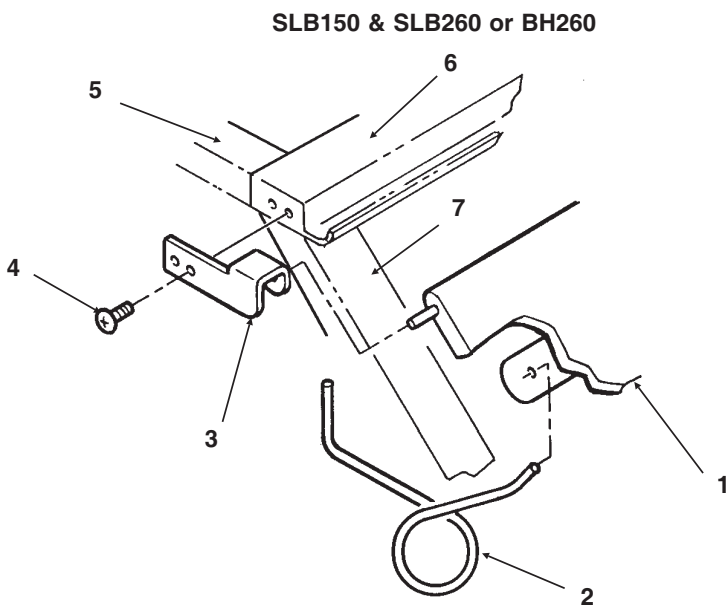


# Bins, Condensers, and Accessories Service Parts

## SLB150, SLB260/BH260, SLB375/BH375



Item Number	Part Number	Description
1	C80211705	Canopy
2	C80230902	Bin door assembly (includes hinge)
3	C80206901	Hinge pin
4	C80209504	Door frame assembly
5	19-0503-04	Gasket tape, 90"
6	C80206601	Hinge for door, rt
	C80206602	Hinge for door, left
Not illustrated:		
7	C80399201	Clear button
8	C80511301	Baffle



Item Number	Part Number	Description
1	C19475304	Door Assembly
2	C19629100	Door spring
3	C80299602	Left door hinge
	C80299601	Right door hinge
4	C19632604	Hinge pin
5	19-0503-04	Gasket tape, 90"
6	C80307602	Canopy
7	C80309002	Door frame assy
SLB150 Only		
	C34196203	Bin thermo bracket

**Bin Drain Parts:**  
**BH375, SLB375, BH260 and SLB260**  
 Female fitting, pn C80205501  
 Male fitting, pn C80205301  
 Flanged hex nut, pn C80205401  
**SLB150**  
 Drain fitting, pn C36619500  
 Drain cup, pn C36619600  
 Drain cap, pn C36619400

**Not Shown**

**KSLDK Key Mech. Kit (Slimline)**

Item Number	Part Number	Description
1	C26203100	Micro switch
2	C42647900	Brass lock housing
3	C42792800	Switch bracket
4	C80417803	Key mech
5	C80575503	Coin mech cover

**KSLDC, Coin Mech Kit (Slimline)**

Item Number	Part Number	Description
1	C18223900	Term. board
2	12-2858-02	Control Relay
3	C80457301	Coin slide mech.
4	C80457401	Coin box
5	C80457501	Mounting plate
6	C80565701	Timer