

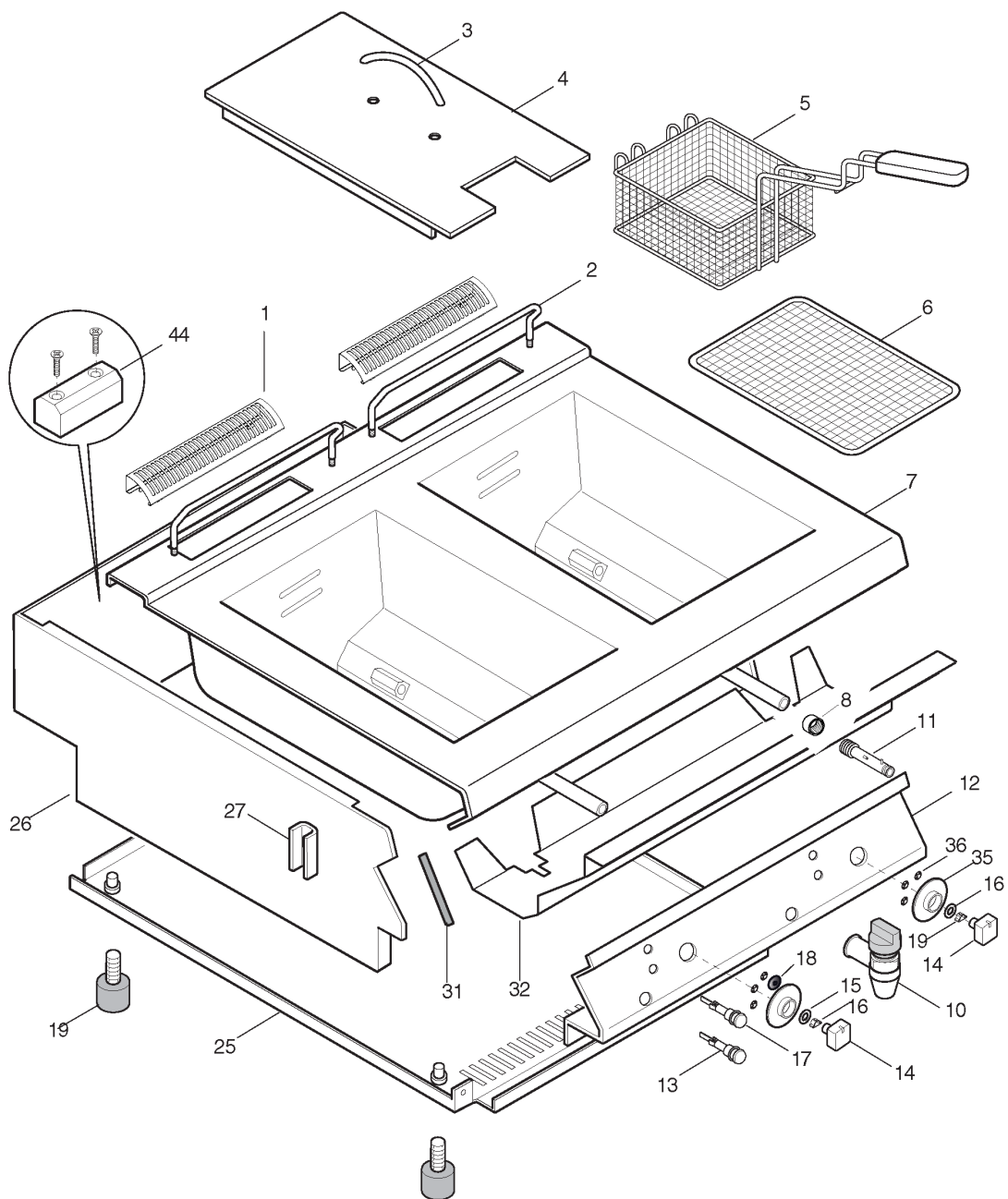
**FRIGGITRICI ELETTRICHE 7L E700 XP**  
**ELECTRIC FRYERS 7L E700 XP**

PNC	Model	Ref	Brand	Version	Notes
371075	E7FRED1200	a	ELX	EL	7 LITRE TOP 400 MM
371076	E7FREH2200	b	ELX	EL	2X7 LITRE TOP 800 MM
371077	E7FRED12F0	c	ELX	EL	7 LITRE 400 MM
371078	E7FREH22F0	d	ELX	EL	2X7 LITRE 800 MM
371140	E7FRED120N	e	ELX	EL	7 LITRE TOP 400 MM-230V
371141	E7FREH22FN	f	ELX	EL	2X7 LITRE 800 MM-230V
372075	Z7FRED1200	g	ZAN	EL	7 LITRE TOP 400 MM
372076	Z7FREH2200	h	ZAN	EL	2X7 LITRE TOP 800 MM
372077	Z7FRED12F0	i	ZAN	EL	7 LITRE 400 MM
372078	Z7FREH22F0	l	ZAN	EL	2X7 LITRE 800 MM
372140	Z7FRED120N	m	ZAN	EL	7 LITRE TOP 400 MM-230V
372141	Z7FREH22FN	n	ZAN	EL	2X7 LITRE 800 MM-230V
373075	A7FRED1200	o	OEM	EL	7 LITRE TOP 400 MM
373076	A7FREH2200	p	OEM	EL	2X7 LITRE TOP 800 MM
<b>373140</b>	<b>A7FRED120N</b>	<b>q</b>	<b>OEM</b>	<b>EL</b>	<b>7 LITRE TOP 400 MM-230V</b>
<b>373141</b>	<b>A7FREH22FN</b>	<b>r</b>	<b>OEM</b>	<b>EL</b>	<b>2X7 LITRE 800 MM-230V</b>

Pag	Index	Indice	Note
2,3	General components	Componenti struttura	
4	Electric components	Componenti Elettrici	
5,6	Spare parts list	Lista ricambi	

Brand/Marchio: All  
Factory code: 9PDX

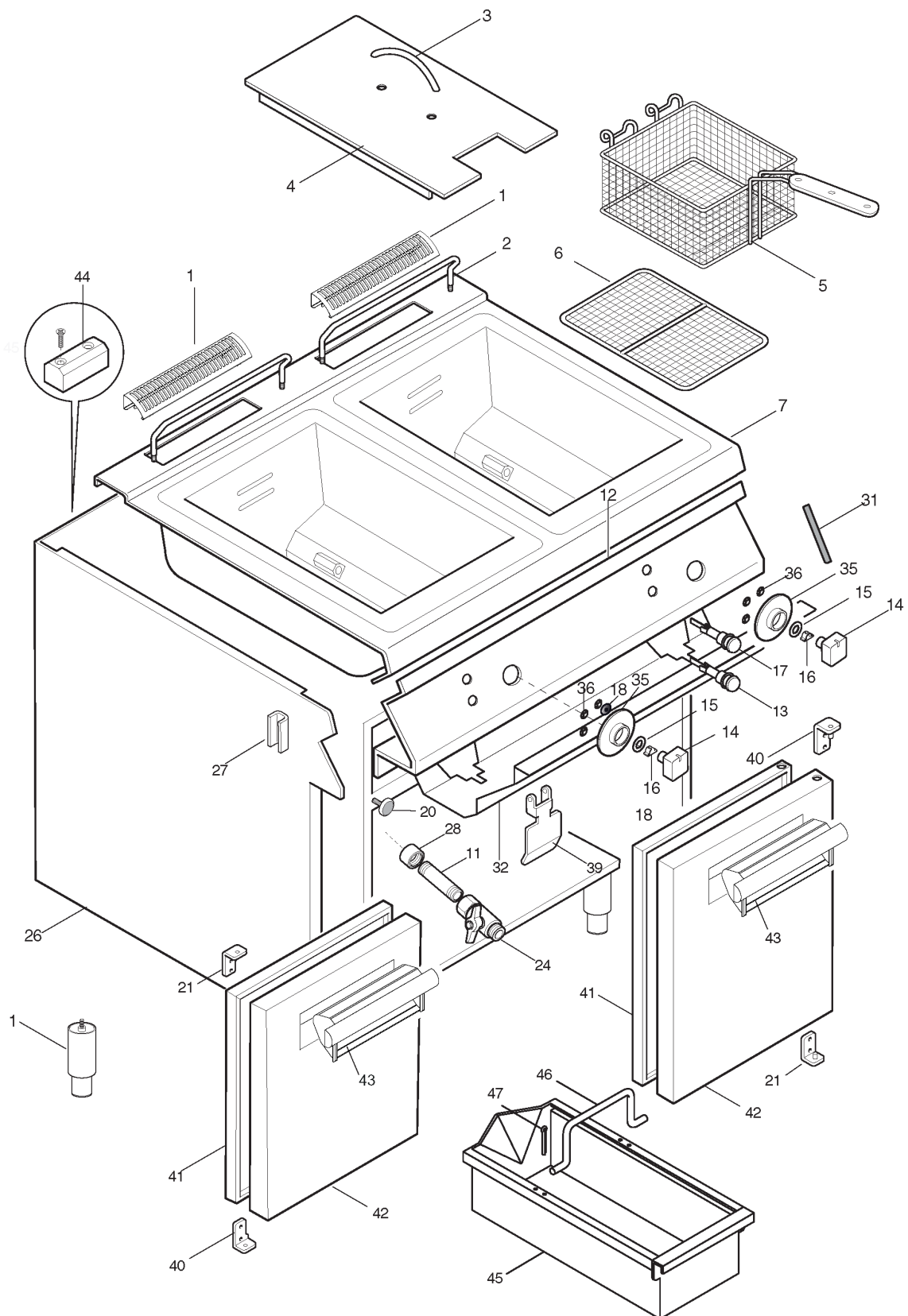
From Ser. Nr.116 Up to Ser. Nr.	Ed. document publication . 2018 – 04	Page <b>1</b>	<b>Doc. N° 59785F600</b>
------------------------------------	--------------------------------------	---------------	--------------------------



From Ser. Nr.116 Up to Ser. Nr.	Ed. document publication . 2015 – 09	Page 2	<b>Doc. N° 59785F600</b>
------------------------------------	--------------------------------------	--------	--------------------------

Model	All								
Table	59785F600	Page	2	General components					
Pos.	Spare Part	Alias Code	Repl. by	S	Info	Kit	Techn. Bulletin	Description	Notes
0001	0C7333	54887A800		S				CHIMNEY GRID; L=400MM	
0002	0C0640	85589CT01	0CA773					SUPPORT	
0003	0C0614	85589CU02		S				HANDLE	
0004	0C2697	516880700						LID	
0005	004492	830818804						BASKET	
0006	005932	830822500						GRILL	
0007	000000	87089N000							ZAN, OEM
0007	0C7755	219293205						FRYER TANK; 07LT ELET.	ELX
0007	0C7756	85589BN00						FRYER TANK; 07LT ELET.	ELX
0007	0C7760	85589BT00						FRYER TANK; 07+07LT ELET.	ELX
0007	0C7761	85589BU00						FRYER TANK; 07+07LT ELET.	ELX
0007	0C7783	87089LC00						FRYER TANK; 07LT ELET.	OEM
0007	0C7783	87089LC00						FRYER TANK; 07LT ELET.	ZAN
0007	0C7785	87089LF00						FRYER TANK; 07+07LT ELET.	OEM
0007	0C7785	87089LF00						FRYER TANK; 07+07LT ELET.	ZAN
0007	0C7786	87089LG00						FRYER TANK; 07LT ELET.	ZAN
0008	0C0756	517862300						COUPLING	
0010	0C2669	835867800		S				DRAIN VALVE; 3/4" F/OIL	
0011	0C4691	517894601						DRAIN EXTENSION	
0012	000000	50389TL01							OEM
0012	000000	50389TM00							OEM
0012	000000	800838P00							OEM
0012	000000	800839B00							OEM
0012	0C7516	87089J100						CONTROL PANEL	ZAN
0012	0C7517	87089J600						CONTROL PANEL	ZAN
0012	0C7740	85589AK00						CONTROL PANEL	ELX
0012	0C7741	85589AL02						CONTROL PANEL	ELX
0012	0C7747	85589B302						CONTROL PANEL	ELX
0012	0C7748	85589B400						CONTROL PANEL	ELX
0012	0C7782	87089LB00						CONTROL PANEL	ZAN
0012	0C7784	87089LD00						CONTROL PANEL	ZAN
0013	005011	876800102				Kit		YELLOW PILOT LAMP ASSY; ROUND; 230V	
0014	0A5621	548865500		S				KNOB; Ø PIN=6MM	OEM
0014	0C6670	511850G01	0C8700			+		KNOB; DIA.10	ELX
0014	0C7232	548878201		S				KNOB; DIA.6	ZAN
0014	0C7345	548877V00		S				KNOB ADAPTER	ELX

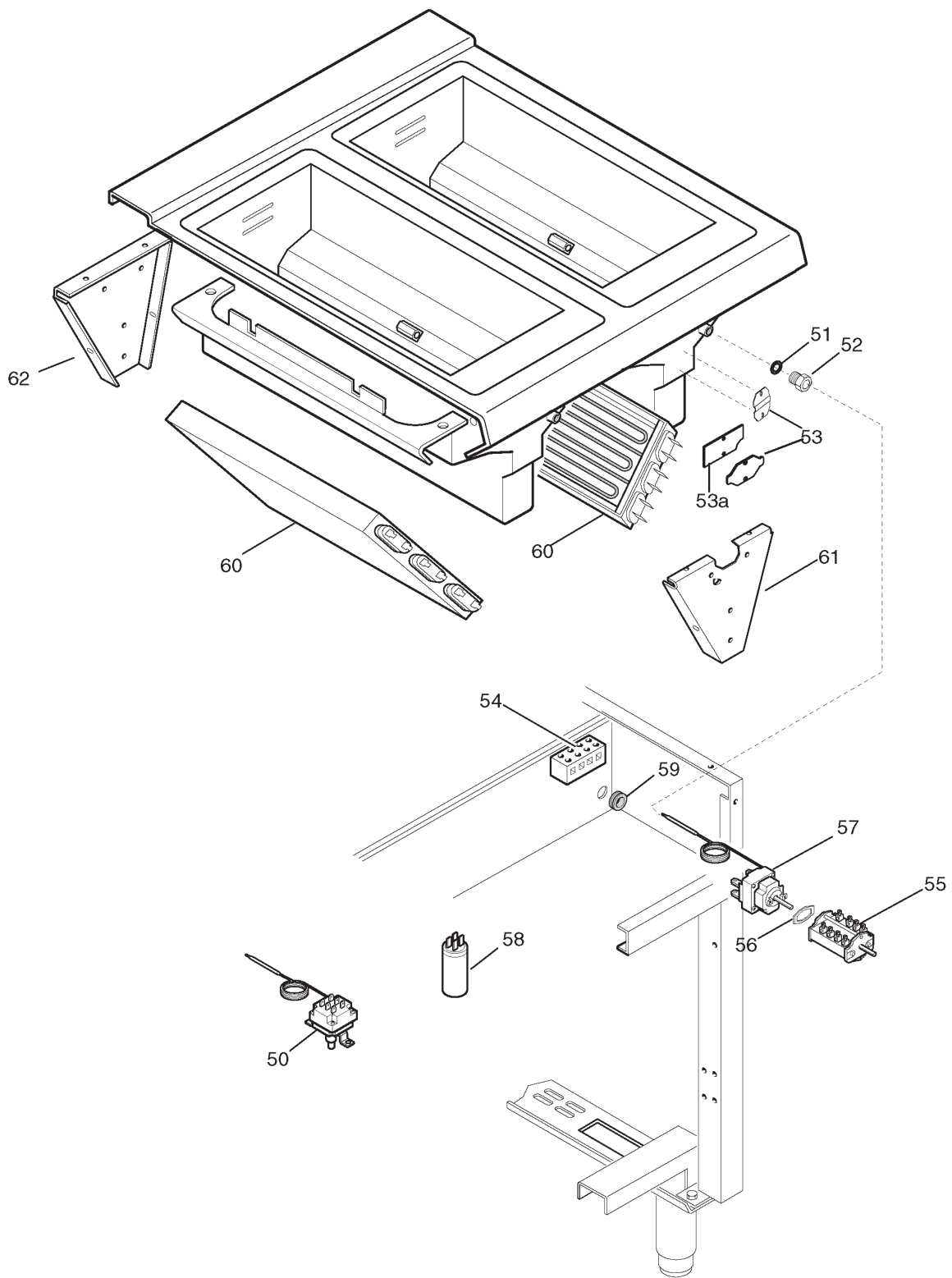
Model	All								
Table	59785F600		Page	2	General components				
Pos.	Spare Part	Alias Code	Repl. by	S	Info	Kit	Techn. Bulletin	Description	Notes
0015	053816	543821000						GASKET; ØI=4,5MM; ØE=14MM; H=3MM	
0016	025245	214590701		S				KNOB SPRING	
0017	005010	876800002						GREEN PILOT LAMP ASSY; ROUND; 230V	
0018	0C6171	541813800	0C6172					WASHER; SILICONE	
0019	026806	315252601		S				FOOT WITH SCREW M6; Ø=18MM	
0019	0C0204	835856900						FOOT; Ø=50,5MM; PIN M10; AISI 304	
0025	000000	5038A2F00							
0025	000000	5038A2G00							
0025	000000	532824600							
0025	000000	532824700							
0026	000000	85089F800							ELX
0026	000000	85089FB00							ZAN, OEM
0026	000000	85089FD00							ELX
0026	000000	85089FH00							ZAN, OEM
0026	0C7268	85089FA01			D			COVERING PLATE	ZAN, OEM
0026	0C8544	85089F701						COVERING	ELX
0026	0C8598	85089FF01			D			COVERING PLATE	ELX
0026	0CA950	85089FJ01			D			COVERING PLATE	ZAN, OEM
0027	0C0156	527850500						BRACKET	
0031	0C2496	543821900		S				GASKET; CONTROL PANEL; BY METER; GREY	
0032	0C2712	533824400						FRONT PANEL; 7 LT	
0035	0C7481	548877L00						RING NUT	ELX
0035	0C7485	548879W00						RING NUT	ZAN, OEM
0036	069567	218912211	0C6288					RING CONNECTION	
0044	0C0137	516880700				+		PLATE	



From Ser. Nr.116 Up to Ser. Nr.	Ed. document publication . 2015 – 09	Page 3	<b>Doc. N° 59785F600</b>
------------------------------------	--------------------------------------	--------	--------------------------

Model	All									
Table	59785F600		Page	3	General components					
Pos.	Spare Part	Alias Code	Repl. by	S	Info	Kit	Techn. Bulletin	Description	Notes	
0001	0C7333	54887A800		S				CHIMNEY GRID; L=400MM		
0002	0C0640	85589CT01	0CA773					SUPPORT		
0003	0C0614	85589CU02		S				HANDLE		
0004	0C2697	516880700						LID		
0005	004492	830818804						BASKET		
0006	005932	830822500						GRILL		
0007	000000	87089N000							ZAN, OEM	
0007	0C7755	219293205						FRYER TANK; 07LT ELET.	ELX	
0007	0C7756	85589BN00						FRYER TANK; 07LT ELET.	ELX	
0007	0C7760	85589BT00						FRYER TANK; 07+07LT ELET.	ELX	
0007	0C7761	85589BU00						FRYER TANK; 07+07LT ELET.	ELX	
0007	0C7783	87089LC00						FRYER TANK; 07LT ELET.	OEM	
0007	0C7783	87089LC00						FRYER TANK; 07LT ELET.	ZAN	
0007	0C7785	87089LF00						FRYER TANK; 07+07LT ELET.	OEM	
0007	0C7785	87089LF00						FRYER TANK; 07+07LT ELET.	ZAN	
0007	0C7786	87089LG00						FRYER TANK; 07LT ELET.	ZAN	
0011	0C4691	517894601						DRAIN EXTENSION		
0012	000000	50389TL01							OEM	
0012	000000	50389TM00							OEM	
0012	000000	800838P00							OEM	
0012	000000	800839B00							OEM	
0012	0C7516	87089J100						CONTROL PANEL	ZAN	
0012	0C7517	87089J600						CONTROL PANEL	ZAN	
0012	0C7740	85589AK00						CONTROL PANEL	ELX	
0012	0C7741	85589AL02						CONTROL PANEL	ELX	
0012	0C7747	85589B302						CONTROL PANEL	ELX	
0012	0C7748	85589B400						CONTROL PANEL	ELX	
0012	0C7782	87089LB00						CONTROL PANEL	ZAN	
0012	0C7784	87089LD00						CONTROL PANEL	ZAN	
0013	005011	876800102				Kit		YELLOW PILOT LAMP ASSY; ROUND; 230V		
0014	0A5621	548865500		S				KNOB; Ø PIN=6MM	OEM	
0014	0C6670	511850G01	0C8700			+		KNOB; DIA.10	ELX	
0014	0C7232	548878201		S				KNOB; DIA.6	ZAN	
0014	0C7345	548877V00		S				KNOB ADAPTER	ELX	
0015	053816	543821000						GASKET; ØI=4,5MM; ØE=14MM; H=3MM		
0016	025245	214590701		S				KNOB SPRING		

Model	All								
Table	59785F600		Page	3	General components				
Pos.	Spare Part	Alias Code	Repl. by	S	Info	Kit	Techn. Bulletin	Description	Notes
0017	005010	876800002						GREEN PILOT LAMP ASSY; ROUND; 230V	
0018	0C6171	541813800	0C6172					WASHER; SILICONE	
0020	0C0201	830898200						MAGNET	
0021	0C0138	516860801						HINGE	
0024	005927	835848600		S				DRAIN VALVE	
0026	000000	85089F800							ELX
0026	000000	85089FB00							ZAN, OEM
0026	000000	85089FD00							ELX
0026	000000	85089FH00							ZAN, OEM
0026	0C7268	85089FA01			D			COVERING PLATE	ZAN, OEM
0026	0C8544	85089F701						COVERING	ELX
0026	0C8598	85089FF01			D			COVERING PLATE	ELX
0026	0CA950	85089FJ01			D			COVERING PLATE	ZAN, OEM
0027	0C0156	527850500						BRACKET	
0028	0C0756	517862300						COUPLING	
0031	0C2496	543821900		S				GASKET; CONTROL PANEL; BY METER; GREY	
0032	0C2712	533824400						FRONT PANEL; 7 LT	
0035	0C7481	548877L00						RING NUT	ELX
0035	0C7485	548879W00						RING NUT	ZAN, OEM
0036	069567	218912211	0C6288					RING CONNECTION	
0039	0C0763	525885100						PROTECTION	
0040	0C0139	516860901						HINGE	
0041	0C7158	50489CQ00						INNER DOOR	
0042	000000	50389MB01							OEM
0042	0C7157	50389G300						DOOR	ELUX
0043	0A5021	854864203						HANDLE	OEM
0043	0C7163	85589CT01						OVEN DOOR WITH HANDLE; ASSY	ELX
0043	0C7164	51589A700	0C8769					HANDLE	ELX up to 2012/47
0043	0C7165	85589CU02						DOOR ASSEMBLY; WITH HANDLE	ZAN
0043	0C7627	85589CV02						DOOR ASSEMBLY; WITH HANDLE	OEM
0043	0C8190	54887A802		S				HANDLE	ZAN
0043	0C8769	54887AH00		S				HANDLE	ELX from 2012/48
0044	0C0137	516880700				+		PLATE	
0045	005922	502898403						BASIN	
0046	005923	516843003						HANDLE	
0047	0C0477	219293205						COTTER PIN	



From Ser. Nr.116 Up to Ser. Nr.	Ed. document publication . 2015 – 09	Page 4	Doc. N° 59785F600
------------------------------------	--------------------------------------	--------	-------------------



Model		All							
Table		59785F600		Page		4		Electric components	
Pos.	Spare Part	Alias Code	Repl. by	S	Info	Kit	Techn. Bulletin	Description	Notes
0050	0C4463	646816600		S	A			SAFETY THERMOSTAT	
0051	059293	543815000						O-RING; ØI=3,68X1,78 MM	
0052	0C4749	527871901						STOP PLATE	
0053	059295	514874500						FITTING; PROBE SUPPORT; ØI=4MM	
0054	058613	A05714000		S				TERMINAL BOARD	
0055	0A2036	A05211001						DOUBLE-POLE SWITCH; 16A 250V	
0056	054376	506842500						BRACKET	
0057	005940	646810600						THERMOSTAT; 60-185°C	
0058	049303	694605400						RADIO INTERFERENCE FILTER; 250V 50/60HZ	
0059	0C0068	544802300						FIXING CABLE	
0060	004755	617818401						HEATING ELEMENT; 2700W	
0061	0C2712	533824400						FRONT PANEL; 7 LT	
0062	000000	533824500							
053a	000000								