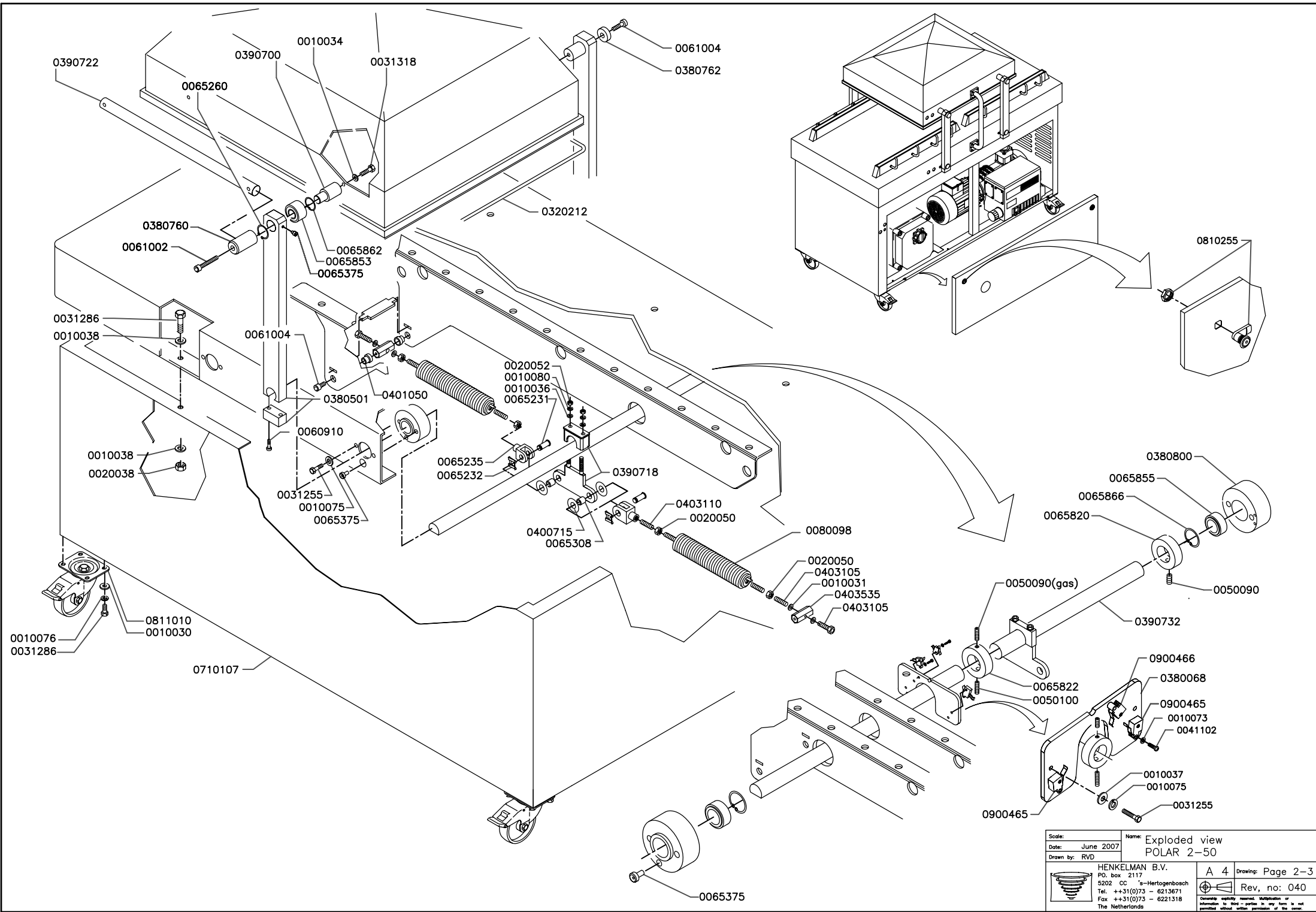
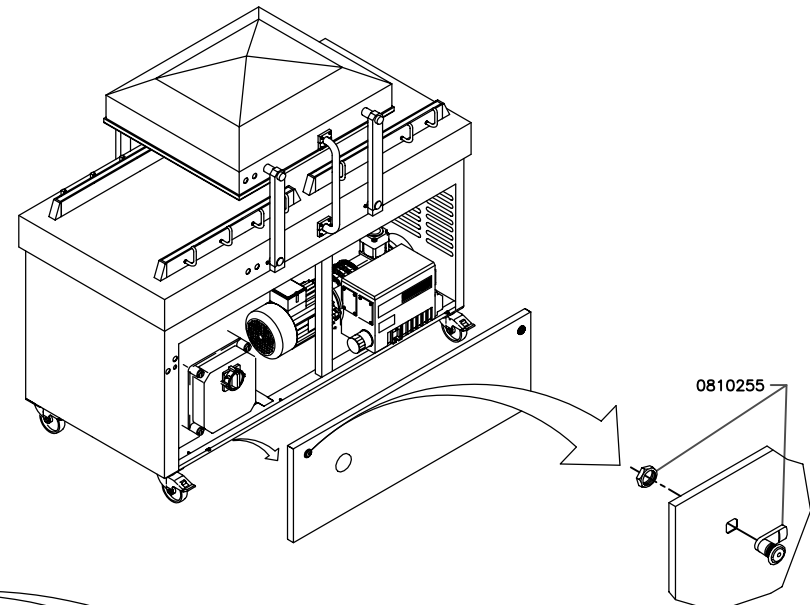


Scale:	Name: Exploded view
Date: Jan 2009	POLAR 2-50
Drawn by: MD	
HENKELMAN B.V. P.O. box 2117 5202 CC 's-Hertogenbosch Tel. ++31(0)73 - 6213671 Fax ++31(0)73 - 6221318 The Netherlands	
A 4	Drawing: Page 1-3
⊕	Rev. no: 050
<small>Ownership hereby reserved. Manipulation or information in third parties is not permitted without written permission of the owner.</small>	

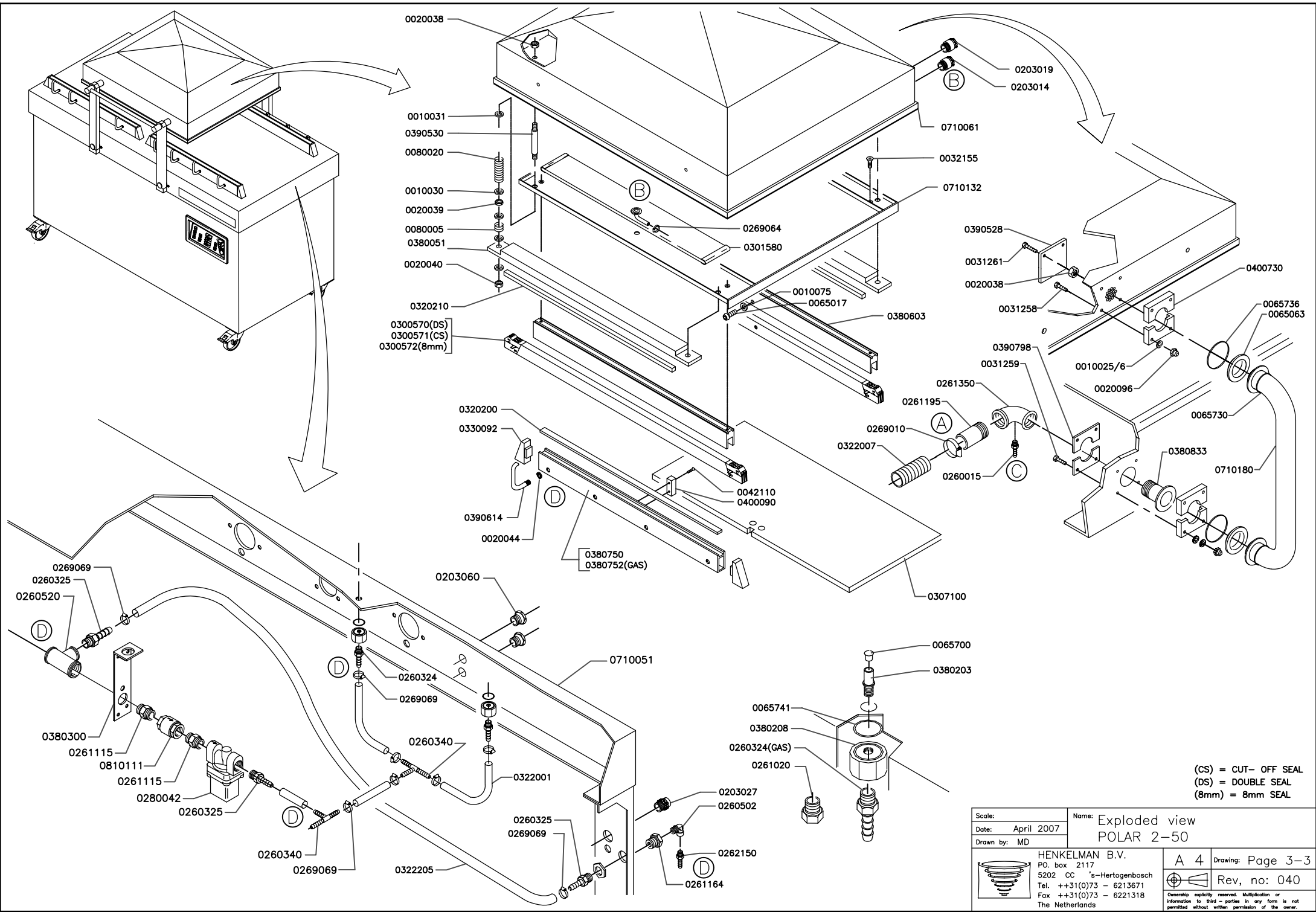


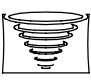
- 0390722
- 0065260
- 0390700
- 0010034
- 0031318
- 0061004
- 0380762
- 0061002
- 0380760
- 0065862
- 0065853
- 0065375
- 0320212
- 0031286
- 0010038
- 0061004
- 0020052
- 0010080
- 0010036
- 0065231
- 0380501
- 0401050
- 0060910
- 0065235
- 0065232
- 0390718
- 0400715
- 0065308
- 0403110
- 0020050
- 0080098
- 0020050
- 0403105
- 0010031
- 0403535
- 0403105
- 0010038
- 0020038
- 0031255
- 0010075
- 0065375
- 0010076
- 0811010
- 0010030
- 0710107



- 0810255
- 0380800
- 0065855
- 0065866
- 0065820
- 0050090(gas)
- 0390732
- 0900466
- 0380068
- 0900465
- 0010073
- 0041102
- 0010037
- 0010075
- 0031255
- 0900465

Scale:	Name: Exploded view
Date: June 2007	POLAR 2-50
Drawn by: RVD	
HENKELMAN B.V.	
P.O. box 2117	
5202 CC 's-Hertogenbosch	
Tel. ++31(0)73 - 6213671	
Fax ++31(0)73 - 6221318	
The Netherlands	
A 4	Drawing: Page 2-3
	Rev, no: 040
<small>Copyright reserved. Multiplication or reproduction in any form is not permitted without written permission of the owner.</small>	



Scale:	Name: Exploded view
Date: April 2007	POLAR 2-50
Drawn by: MD	
 HENKELMAN B.V. P.O. box 2117 5202 CC 's-Hertogenbosch Tel. ++31(0)73 - 6213671 Fax ++31(0)73 - 6221318 The Netherlands	A 4 Drawing: Page 3-3 Rev, no: 040
	<small>Ownership explicitly reserved. Multiplication or information to third parties in any form is not permitted without written permission of the owner.</small>