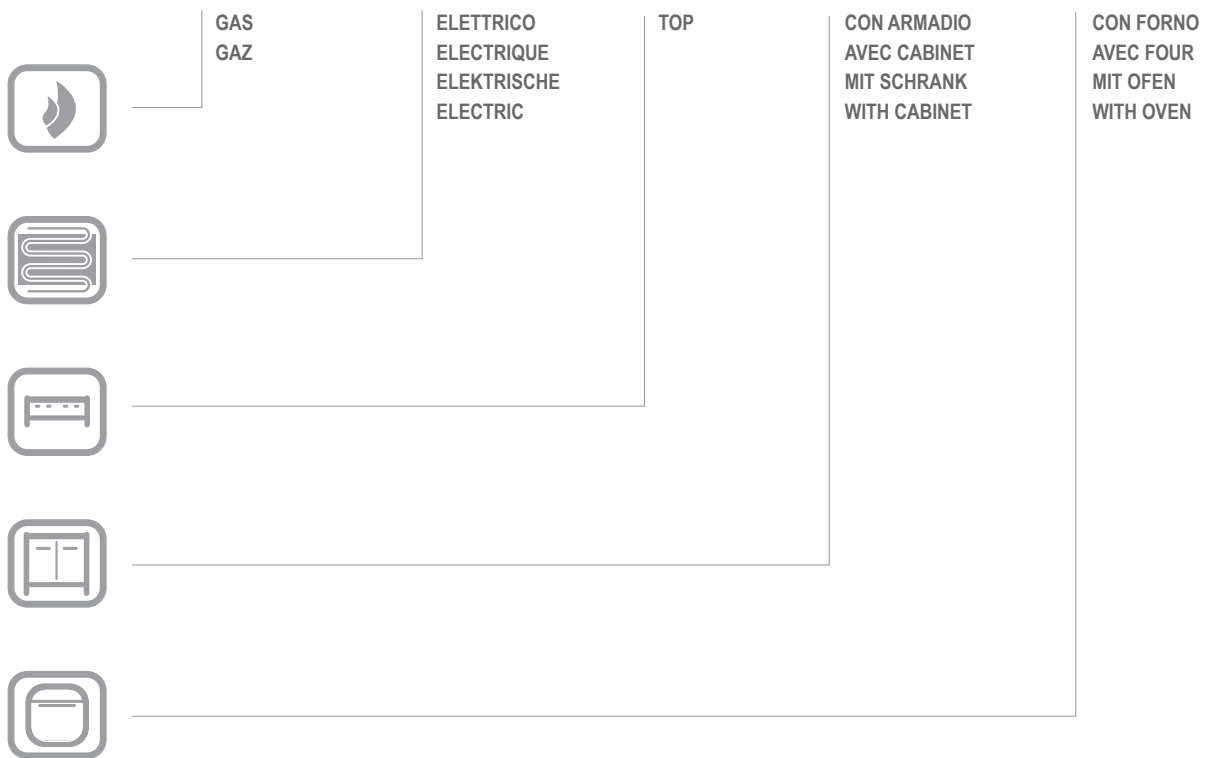


GFT777 (L-LC-R-LR-LRC)

GFT777

CATALOGO PARTI DI RICAMBIO
CATALOGUE PIECES DETACHEES
ERSATZTEILKATALOG
SPARE PARTS CATALOGUE





**Catalogo parti di ricambio valido
dalla matricola 0000001 (31.10.2006) ad oggi (09.01.2017)**

**Catalogue pieces detachees
valable à partir du numero de Série n. 0000001 (31.10.2006) jusqu'à aujourd'hui
(09.01.2017)**

**Ersatzteilkatalog
gültig ab Serien-Nr. 0000001 (31.10.2006) bis heute (09.01.2017)**

**Spare parts catalogue
valid from serial no. 0000001 (31.10.2006) up today (09.01.2017)**

**Catálogo de peças de reposição
válido do número de série 0000001 (31.10.2006) até hoje (09.01.2017)**

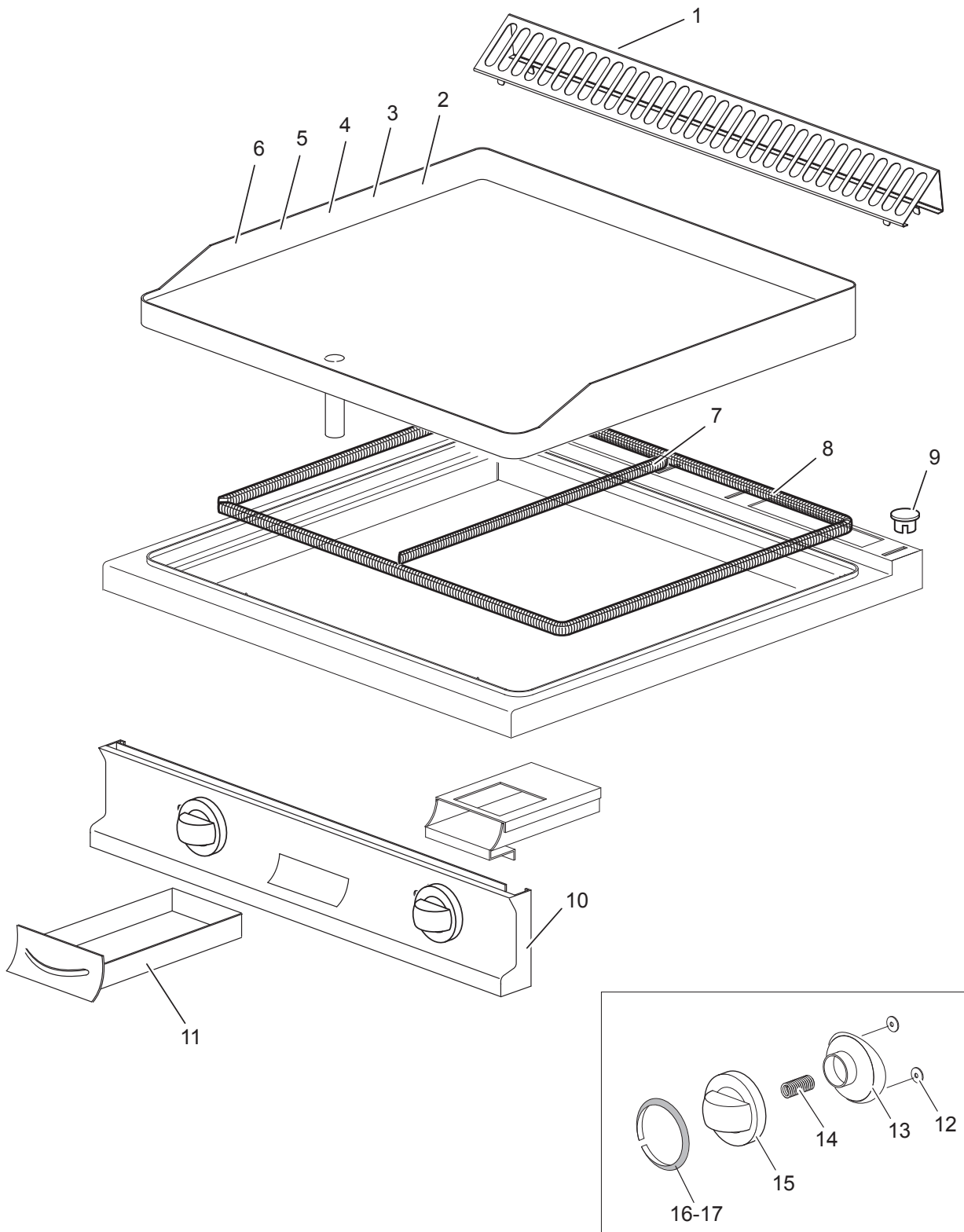
Le informazioni sono considerate non vincolanti. Le immagini rappresentate sono puramente indicative. Il produttore si riserva il diritto di apportare modifiche in qualsiasi momento senza preavviso.

Les informations données ne sont pas contraignantes. Les images montrées sont à titre indicatif. Le producteur se réserve le droit d'apporter des modifications sans préavis.

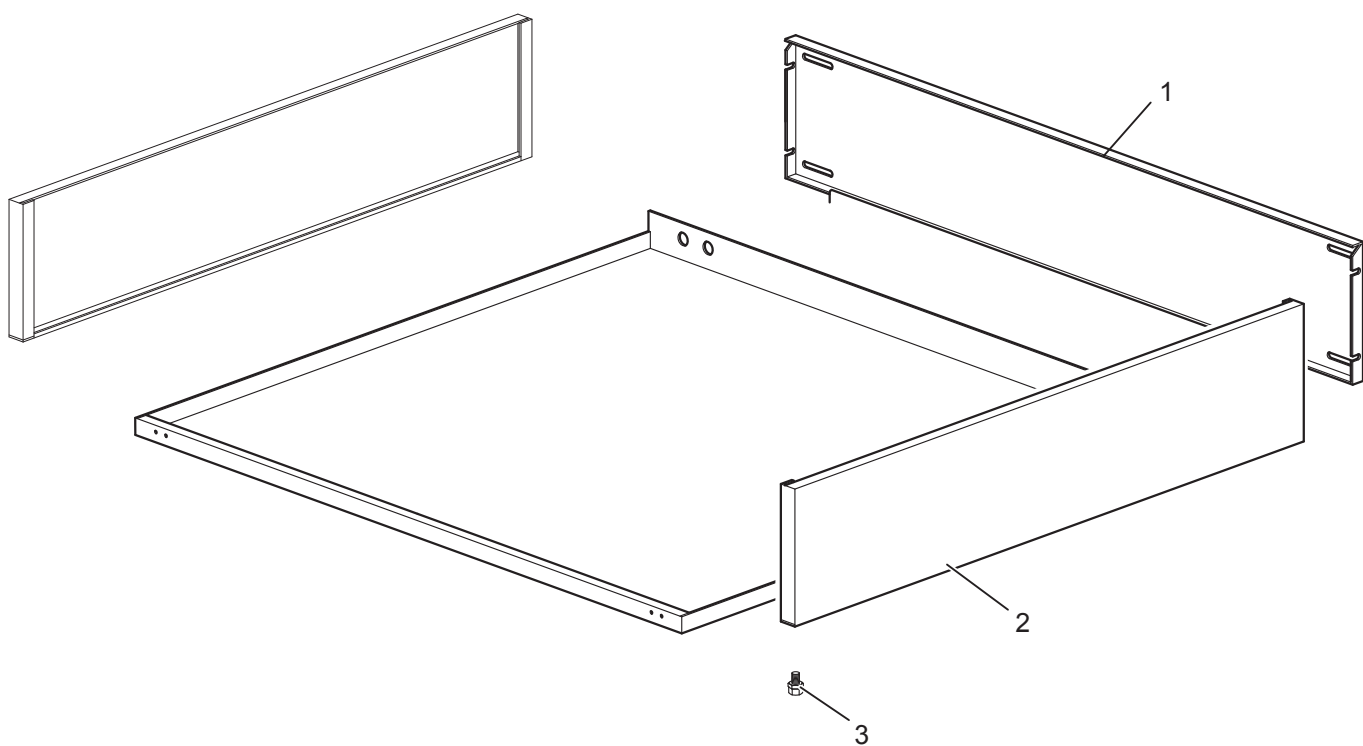
Die im vorliegenden Dokument aufgeführten Informationen und Bilder sind unverbindlich. Der Hersteller behält sich das Recht vor, jederzeit ohne vorherige Ankündigung Änderungen vorzunehmen

Info and drawing could be slightly different from reality and they cannot be considered as compelling. Manufacturer can modify info anytime without forewarning.

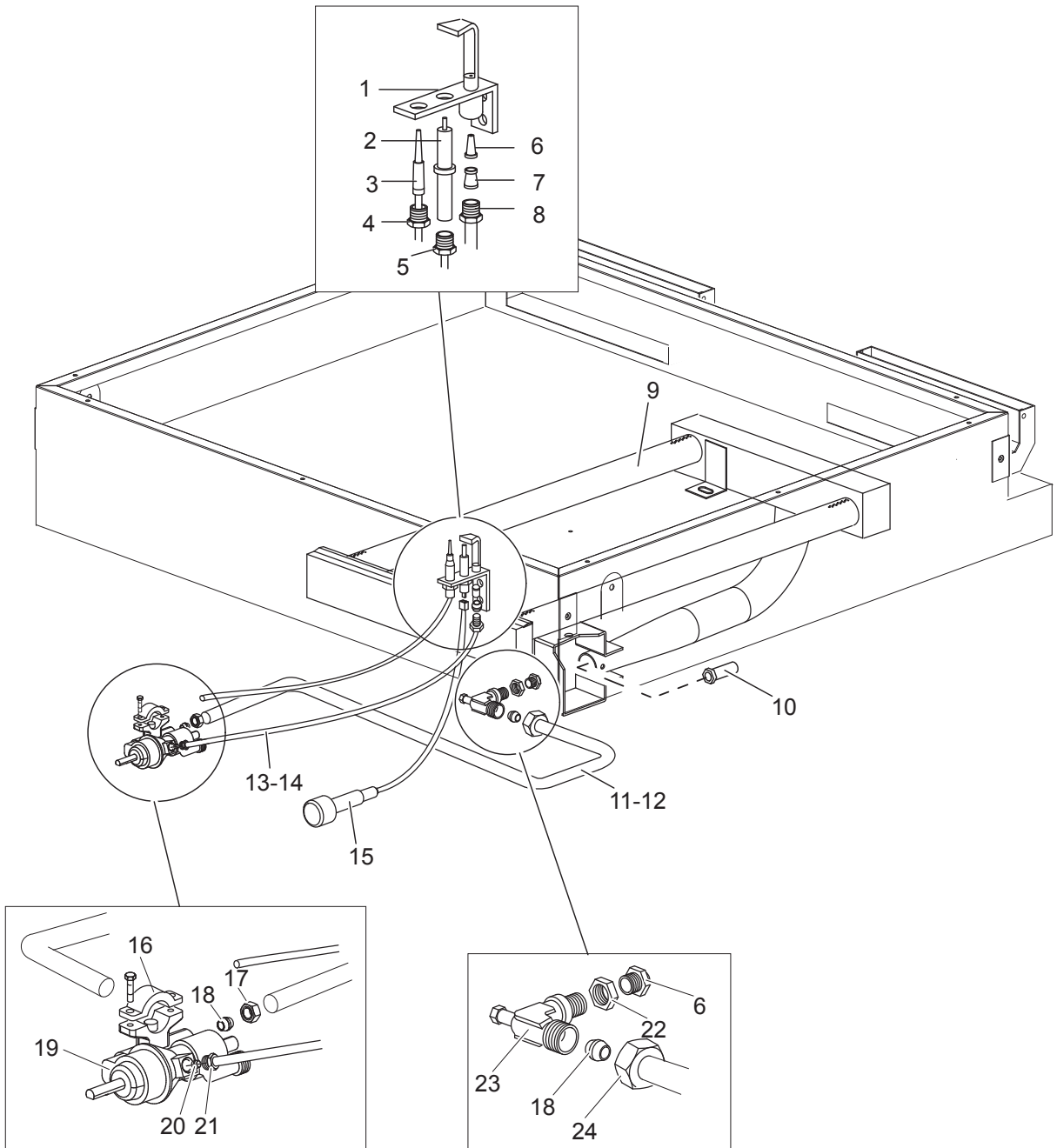
As Informações e desenhos podem estar um pouco diferente da realidade e são puramente indicativas. O fabricante pode modificar estas informações a qualquer momento sem aviso prévio.



| Nr. | Code | Title | Recommended |
|------------|-------------|--------------------------------------|--------------------|
| 1. | 184977 | GRILLE POUR CHEMINÉE | |
| 2. | 185795 | SMOOTH PLATE | |
| 3. | 185796 | PLAN DE CUISSON LISSE CHROME' | |
| 4. | 185799 | RIBBED PLATE | |
| 5. | 185801 | PLAN DE CUISSON LISSE RAINURE' | |
| 6. | 185802 | SMOOTH RIBBED CHROMED PLATE | |
| 7. | 163289 | INS.BRAID PARTITION GFT99 | N |
| 8. | 163291 | ISOL.TRESSE CHAMBRE COMB.GFT77 | N |
| 9. | 163603 | BOUCHON FIX.PLAQUE DOMINA | N |
| 10. | 171584 | PANNEAU DE CONTROLE | N |
| 11. | RIC0004758 | TIROIR POUR L'HUILE COMPLET | N |
| 12. | 176318 | ELASTIC METAL CLIP -WASHER DIAM 4 MM | S |
| 13. | 171439 | GAS VALVE KNOB HOUSING G4S11 | S |
| 15. | 171437 | GAS VALVE KNOB BODY G4S77 SILVER | S |
| 16. | 174325 | THERMOSTAT RING | S |
| 17. | 174323 | THERMOSTAT RING 280° | S |



| Nr. | Code | Title | Recommended |
|------------|-------------|---------------------------|--------------------|
| 1. | 167061 | <i>BACK SIDE</i> | N |
| 2. | 180405 | <i>LATERAL SIDE</i> | N |
| 3. | RTCU700324 | <i>FOOT S.G4S7 TOP/32</i> | N |



| Nr. | Code | Title | Recommended |
|------------|-------------|---|--------------------|
| 1. | RTCP800034 | <i>CORPS PILOTE G100 0140026</i> | S |
| 2. | RTCP800033 | <i>BOUGIE D'ALLUMAGE RONDE G100 CAST0772183</i> | S |
| 3. | RTCU700296 | <i>THERMOCOUPLE 40 0290083/TARGET</i> | S |
| 4. | RTCP800038 | <i>RACCORD T/C.PIL.GC47 0974036</i> | S |
| 5. | RTCU900215 | <i>RACCORD CAND.TUYAU DE VIDANGE ST.0974037</i> | S |
| 6. | INIETTORE | <i>SEE HANDBOOK NOZZLES</i> | N |
| 7. | RTCU800183 | <i>BICONE D.6 G4SF 0957010</i> | S |
| 8. | RTCU800182 | <i>ECROU ALL.D.6 G4SF 0958047</i> | S |
| 9. | RTCU700744 | <i>BRUL.GFT47/1 18196384000</i> | N |
| 10. | RTCU700584 | <i>18151301800</i> | N |
| 11. | 173405 | <i>LEFT FEEDING PIPE FOR BURNER</i> | N |
| 12. | 173406 | <i>TUBE DE DISTRIBUTION BRÛLEUR DROITE</i> | N |
| 13. | 173407 | <i>LEFT BURNER PILOT PIPE</i> | N |
| 14. | 173408 | <i>RIGHT BURNER PILOT PIPE</i> | N |
| 15. | RIC0004096 | <i>PIEZO UNIT</i> | S |
| 16. | 167184 | <i>SAFETY VALVE BRIDLE</i> | S |
| 17. | RTCU700297 | <i>ECROU D.10 FIX/SORTIE ROB.V.21S</i> | S |
| 18. | RTCU900012 | <i>BICONE D.10</i> | S |
| 19. | 168005 | <i>THERMOSTAT GAZ 100-300/095 777112</i> | S |
| 20. | RTCU900018 | <i>BICONE D.6 PEL0905</i> | S |
| 21. | RTCU900019 | <i>ECROU D.6 PEL0903/1</i> | S |
| 22. | RTCU900005 | <i>CONTRE-ECROU SUPP.INJEXT.PLAQUE</i> | N |
| 23. | RTCU900337 | <i>SUPPORT INJECT.F+PLAQUE C4F</i> | N |
| 24. | RTCU900013 | <i>ECROU D.10</i> | N |