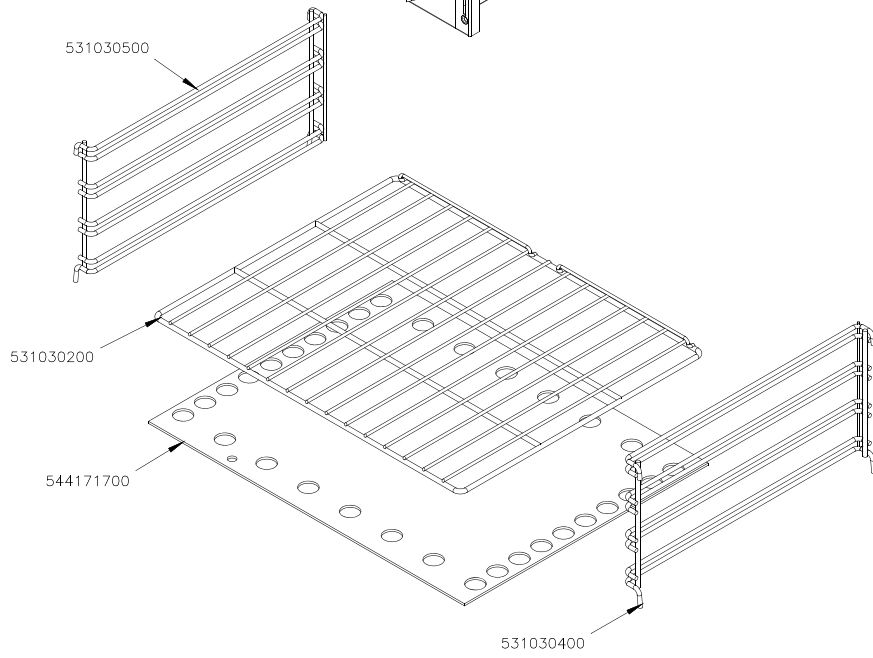
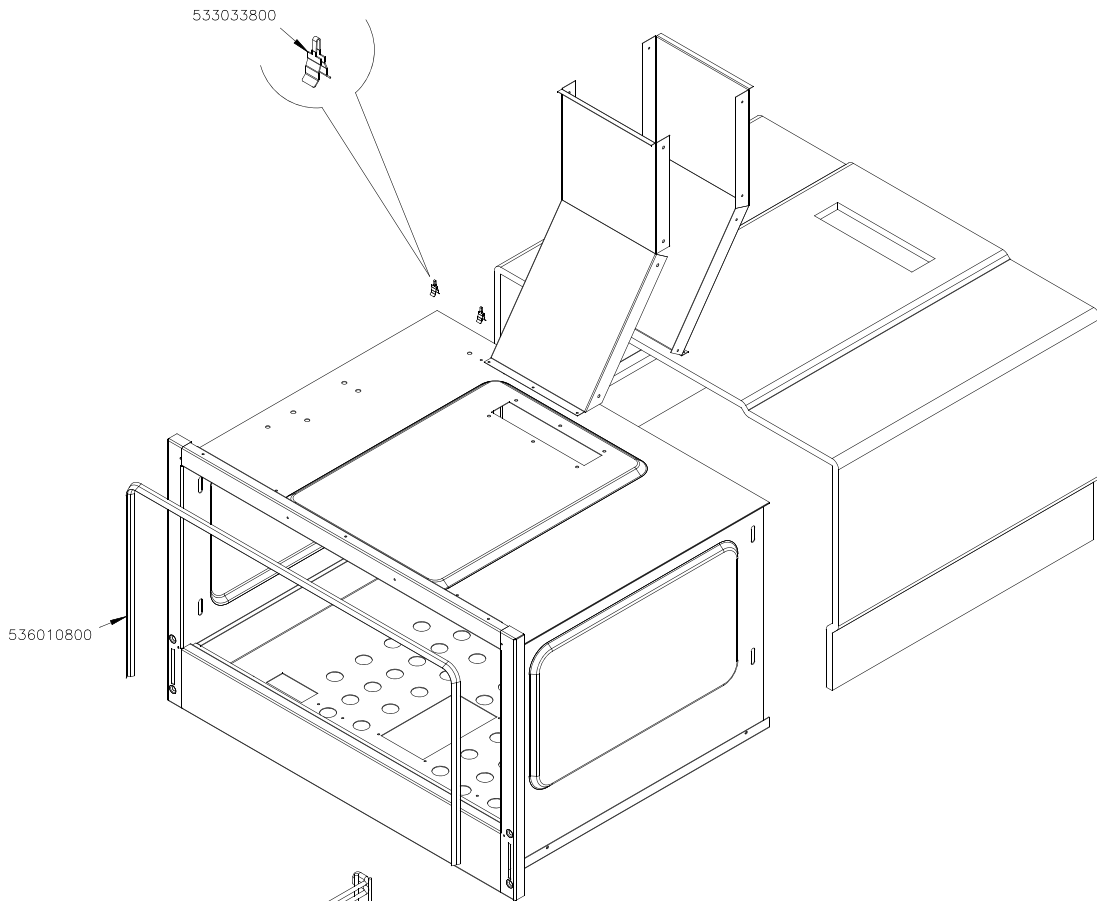
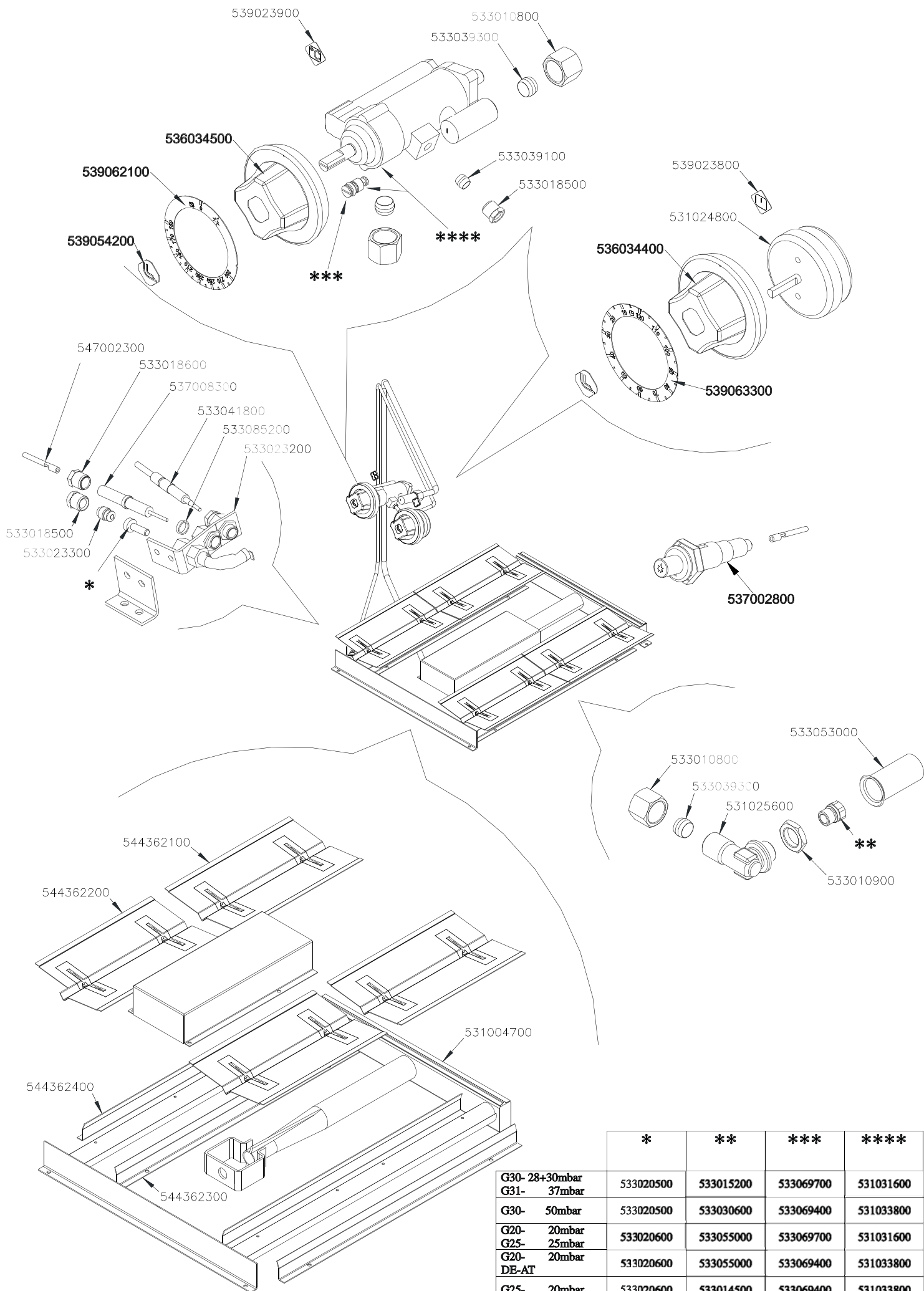


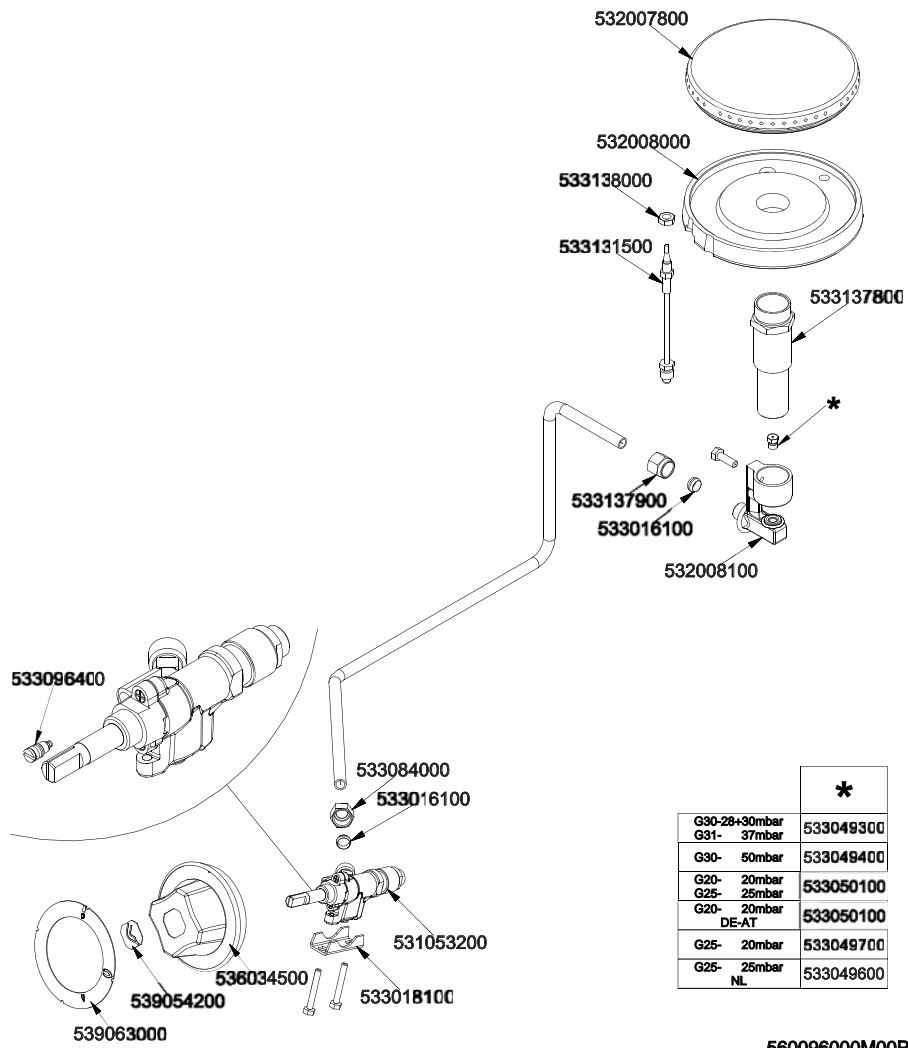
560096100M00P00



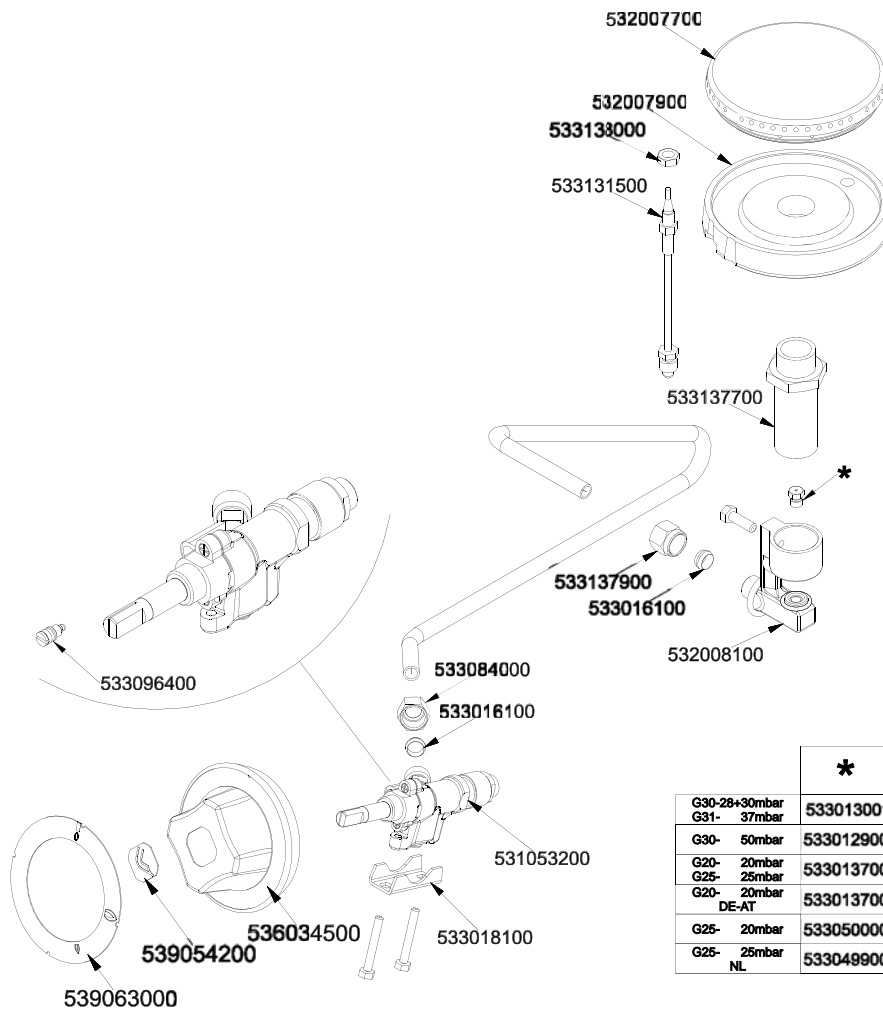


560034700M02P01

	*	**	***	****
G30- 28+30mbar	533020500	533015200	533069700	531031600
G31- 37mbar	533020500	533030600	533069400	531033800
G30- 50mbar	533020600	533055000	533069700	531031600
G20- 20mbar	533020600	533055000	533069400	531033800
G20- DE-AT	533020600	533014500	533069400	531033800
G25- 20mbar	533020600	533055100	533069700	531031600
G25- NL	533020600	533055100	533069700	531031600



560096000M00P00



560095900M00P00

Page	Pos	Code	Description
001		532006800	2 BURNERS GRID 289X504 60T NIC.
001		532006200	2 BURNERS GRID 289X504 60T RAF
001		533070600	
001		533135700	SPACER GRILL UK CFPB6-79G
001		541196900	UPPER PLATE UK CFPB6-79G
001		544680500	LEFT SIDE OF CFPB6-79G UK
001		544680600	CONTROL PANEL GAS UK
001		544680400	RIGHT SIDE FRAME CFPB6-79G UK
001		536005200	INOX LEG 2" 120-180 M10
002		544679900	
002		531067100	
002		544679800	
002		544680900	TOP OVEN DOOR HINGE FOR CF UK
002		533035200	HANDLE SPACER
002		533094200	S/S HANDLE FOR 70/90 SERIES
002		544679700	LHD OVEN DOOR * UK CFPB6-789G
002		544679600	RHD OVEN DOOR * UK CFPB6-789G
002		544681000	LOWER OVEN DOOR HINGE FOR CF UK
003		533033800	LOCK SPRING FOR BULB §6
003		536010800	OVEN GASKET GN 2/1 (1308
003		531030500	LHD SUPPORT GRID FOR OVEN OF 70LINE
003		531030200	OVEN GRID GN 2/1 FOR 70 LINE
003		531030400	RHD SUPPORT GRID FOR OVEN OF 70LINE
003		544171700	BOTTOM FOR GAS OVEN GN2/1 700LINE
004		539023900	SIGN PLATE FOR OVEN TEMPERATURE
004		533010800	TUBE NUT D.10 M16*1,5
004		533039300	BICONE §10
004		536034500	KNOB §77 4P. §08*6,5
004		539062100	ADESIVE DISK FOR GAS OVEN S70
004		539054200	STAMP O20,5 CR."L" LOTUS R.
004		533039100	BICONE §6
004		533018500	FITTING FOR BICONE D.6 M10*1
004		539023800	LABEL FOR OVEN TIMER
004		531024800	TIMER 120'- 360°
004		536034400	KNOB §77 4P. §06*4,6 C/M
004		539063300	ADESIVE DISK FOR TYMER GREY
004		537002300	ELECTRICAL PLATE D.220 W2000 V230
004		533018600	PLUG FITTING
004		537008300	ROUND PLUG §2,4- LONG ELECTRODE
004		533041800	THERMOCOUPLE 1500 M9*1
004		533085200	SPACER FOR PILOT PLUG
004		533023200	TARGET PILOT + NIPPLE TC BRAC.90°
004		533023300	BICONE §6 ("TARGET" PILOT
004		537002800	PIEZOELECTRIC IGNITION M18 WITH NUT
004		533053000	AIR ADJUSTMENT BUSHING §18
004		531025600	ELBOW 90° NOZZLE-HOLDER §10 PIPE
004		533010900	NUT M14*1 H.4
004		544362100	UPPER BURNER DEFLECTOR FOR OVEN 70
004		544362200	UPPER PILOT DEFLECTOR FOR OVEN 70
004		531004700	BURNER FOR OVEN GN 2/1 S.70
004		544362400	SIDE PILOT DEFLECTOR FOR OVEN 70

Page	Pos	Code	Description
004		544362300	SIDE BURNER DEFLECTOR FOR OVEN 70
004		533020500	NOZZLE 0.140 §19
004		533020600	NOZZLE 0.140 §27
004		533015200	NOZZLE §145 CH12*14 F-FP/CP6
004		533030600	NOZZLE §125 CH12*14
004		533055000	NOZZLE §205 CH12*14 G25 CW4
004		533014500	NOZZLE §225 CH12*14 OVEN GN 2/1
004		533055100	NOZZLE §215 CH12*14 L-CW4
004		533069700	BY PASS COCK §075 25ST
004		533069400	BY PASS COCK §065 25ST
004		531031600	HORIZON.THERMOSTATIC TAP BY-PASS 75
004		531033800	HORIZON.THERMOSTATIC TAP BYPASS §65
005		532007800	BURNER COVER RING Ø120
005		532008000	BURNER BODY 6 KW
005		533138000	BRASS NUT M6X0,75
005		533131500	THERMOCOUPLE 600 M6*0,75
005		533137800	BURNER VENTURI 6KW UK
005		533137900	THREARED FITTING FOR BICONE 8S M12
005		533016100	BICONE D.8
005		532008100	ELBOW 90° NOZZLE-HOLDER §08 PIPE
005		533096400	
005		533084000	HEXAGONAL NUT 1/4G ZN TUBE §8
005		531053200	§00 BY-PASS SAFETY COCK
005		536034500	KNOB §77 4P. §08*6,5
005		533018100	BRIDLE D.21
005		539054200	STAMP Ø20,5 CR."L" LOTUS R.
005		539063000	RED STICKING DISK 72
005		533049300	NOZZLE §120 CH07*08,8
005		533049400	NOZZLE §225 CH12*14 OVEN GN 2/1
005		533050100	NOZZLE §185 CH7*8,8 GRILL AARDGAS L
005		533049700	NOZZLE §135 CH12*14,0
005		533049600	NOZZLE §85 CH12*14 F-FQ5
006		532007700	BURNER COVER RING Ø090
006		532007900	BURNER BODY 3,5 KW
006		533138000	BRASS NUT M6X0,75
006		533131500	THERMOCOUPLE 600 M6*0,75
006		533137700	BURNER VENTURI 3,5KW UK
006		533137900	THREARED FITTING FOR BICONE 8S M12
006		533016100	BICONE D.8
006		532008100	ELBOW 90° NOZZLE-HOLDER §08 PIPE
006		533084000	HEXAGONAL NUT 1/4G ZN TUBE §8
006		533096400	
006		531053200	§00 BY-PASS SAFETY COCK
006		533018100	BRIDLE D.21
006		536034500	KNOB §77 4P. §08*6,5
006		539054200	STAMP Ø20,5 CR."L" LOTUS R.
006		539063000	RED STICKING DISK 72
006		533013001	NOZZLE §90 CH7*8,8 F-OVEN+GRILL
006		533012900	NOZZLE §80 CH7*8,8 F-GRILL
006		533013700	INJECTOR CH07X08,8 Ø140
006		533050000	NOZZLE §80 CH12*14 F-FP/CP6

Page	Pos	Code	Description
006		533049900	NOZZLE D.I 260 G110 (TOWN GAS