

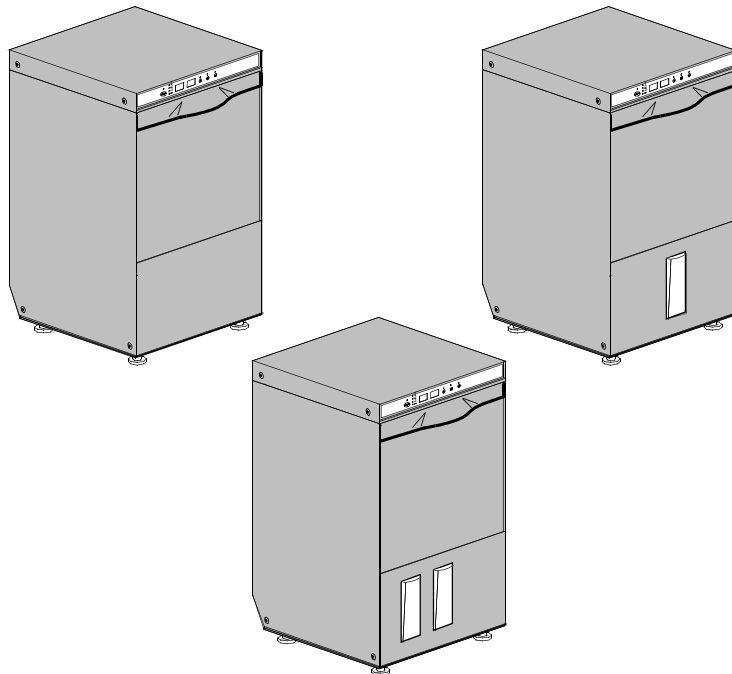
DISHWASHER

ELECTRONICAL SWITCHES
LOWER AND UPPER WASHING

TYPE: 32ELKC

Accessories
BOOSTER PUMP
DVGW
COLD RINSE
DETERGENT DISPENSER
DRAIN PUMP

Spare parts manual



INFORMAZIONI GENERALI

Questo catalogo serve per richiedere con esattezza le parti di ricambio

Nelle ordinazioni indicare:

1) il numero dei codici dei particolari seguito dalla descrizione e la quantità desiderata;

2) Il codice alfa-numeric presente nella seconda colonna della tabella ;

I disegni delle parti di ricambio sono solo indicativi e non rappresentano il pezzo in oggetto.

I dati contenuti in questo catalogo sono indicativi e possono essere soggetti a modifiche senza impegno di preavviso.

ALLGEMEINE INFORMATIONEN

Dieser Ersatzteilkatalog dient zur genauen Angabe der Teile bei Ersatzteilbestellungen.

Bei Ersatzbestellung ist folgendes anzugeben:

1) Die Bestellnummer der Ersatzteile mit der entsprechenden Beschreibung genaue Menge;

2) Der alpha-numerischer Code auf der zweiten Reihe in dein Spalte;

Die Zeichnungen der Ersatzteile sind nur als Hinweise gedacht und stellen nicht das betroffene Teil dar.

Bei den im Katalog angeführten Daten handelt es sich um Anhaltsdaten, die jederzeit, ohne Vorankündigung, geändert werden können.

GENERAL INFORMATION

The present spare parts order exactly the right spare parts

When ordering specify:

1) the part's code number followed by its description and quantity needed;

2) The alpha-numeric code is in the second column in the chart;

Spare parts drawings are general and do not represent the part.

The contents of this catalogue are general and can undergo changes without prior notice.

INFORMACIONES GENERALES

El presente catálogo sirve para pedir con exactitud las partes de repuesto

En los pedidos se debe indicar:

1) el número de código de la parte y a continuación la descripción cantidad deseada;

2) El código alfanumerico presente en la signada columna de la tabla;

Los diseños de las partes de recambio son solo indicativos y no representan la pieza en cuestión.

Los datos contenidos en el presente catálogo son indicativos y pueden modificarse sin aviso previo.

INFORMATIONS GENERALES

Ce catalogue permet de commander correctement les pièces détachées

Les commandes doivent être passées en indiquant:

1) le numero de code des pièces détachées suivi de leur description quantité désirée;

2) le code alphanumérique dans la deuxième colonne du tableau;

Les plans des pièces détachées sont fournis seulement à titre indicatif et ne représentent pas la pièce concernée.

Les données de ce catalogue sont citées seulement à titre indicatif et peuvent être l'objet de modifications sans avis préalable.

**ESEMPIO
EXAMPLE
EXEMPLE
BEISPIEL**

Rif.	Codici
MODULE:Particolari	
10505	540903
10510	540908
10515	15065/A
10520	540086
10525	540028

Note

Tutte le informazioni riportate si intendono aggiornate alla data di stampa. Il Produttore si riserva il diritto di apportare qualsiasi modifica richiesta dallo sviluppo evolutivo dei suddetti prodotti.

Per la sicurezza, la garanzia, l'affidabilità ed il valore della lavastoviglie usa solo ricambi originali.

Attenzione

Questo libretto è parte integrante della lavastoviglie e, in caso di passaggio di proprietà, deve essere consegnato al nuovo acquirente.

Remarque

Toutes les informations contenues dans ce manuel s'entendent mises à jour à la date d'impression. En raison du développement constant de ses produits, usine se réserve le droit d'apporter à tout instant les modifications qu'elle jugera utiles.

Pour la sécurité, la garantie, la fiabilité et la valeur de votre lavevaisselles n'utilisez que des pièces de rechange d'origine.

Attention

Ce manuel doit être considéré comme partie intégrante de la la lavevaisselles, en cas de transfert de propriété, doit toujours être remis au nouveau propriétaire.

Note

The information contained herein is valid at the time of going to print. The Company reserves the right to make any changes required by the future development of the above-mentioned products.

For your safety, as well as to preserve the warranty reliability and worth of your dishwashers, use original spare parts only.

Warning

This manual forms an integral part of the dishwashers and - if a transfer of title occurs - must always be handed over to the new owner.

Hinweis

Die Der Hersteller behält sich das Recht vor, jegliche, durch eine Weiterentwicklung der genannten Produkte bedingte Änderungen vornehmen zu können.

Verwenden Sie für Ihre Sicherheit, die Garantie, die Zuverlässigkeit und den Wert Ihrer machine originale Ersatzteile.

Achtung

Diese Betriebsanleitung ist Bestandteil des machine und muss bei seinem Weiterverkauf dem neuen Besitzer ausgehändigt werden.

1. Spare parts

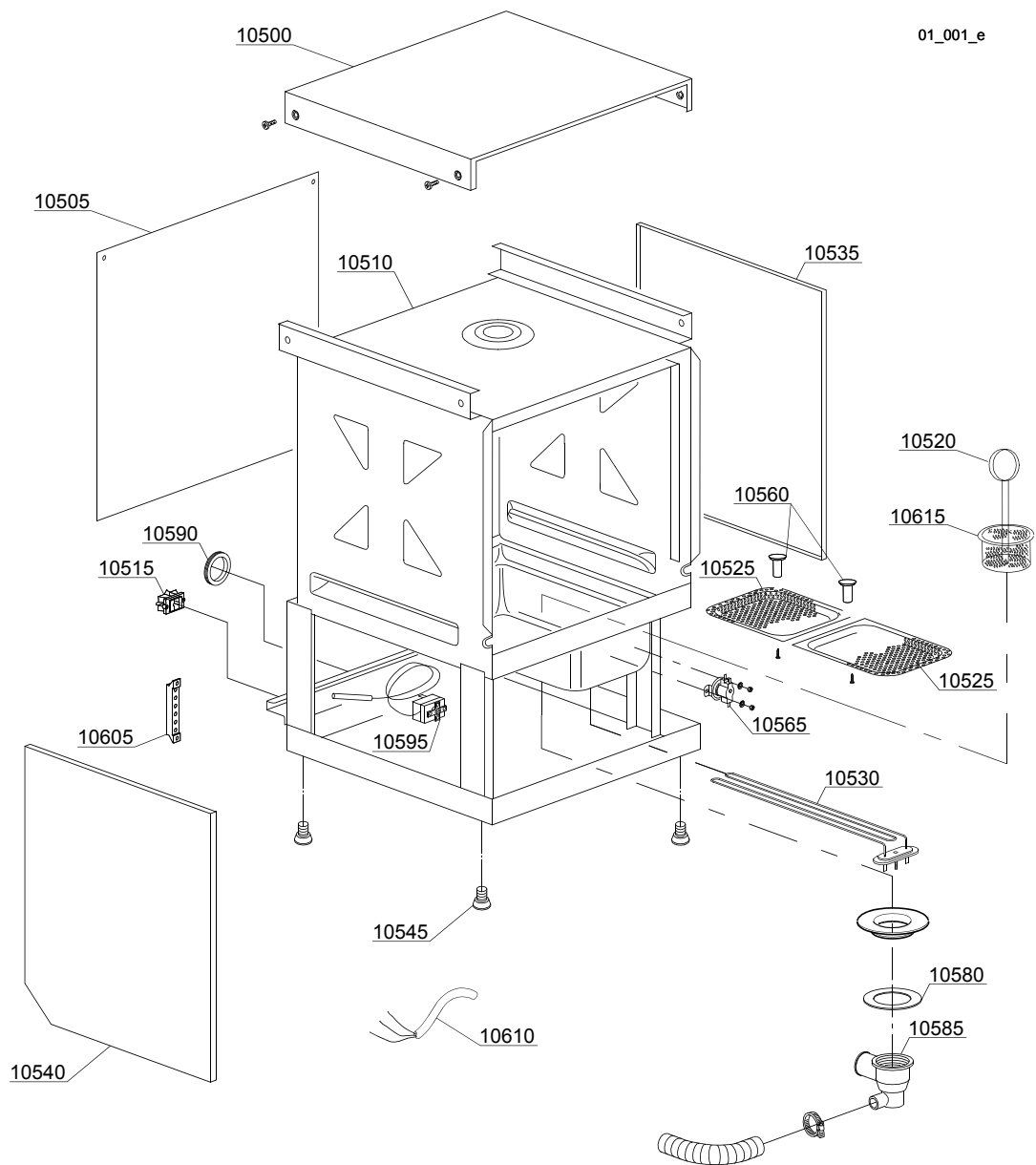
General body parts.....	7
Lockup system	9
Electric control components.....	11
Electric control ELECTRO.....	13
Solenoid valve group	15
Booster pump.....	17
DVGW	19
Rinse aid dispenser group.....	21
Boiler group	23
3 ways connection	25
Wash pump	27
Dosing detergent group.....	29
Dosing detergent group.....	31
Drain pump group.....	33
Pressure switch group with air trap ...	35
Turret group with rotating arms	37

1.1 Voltage codes

Voltage code	Voltage
A	3/N/PE~400/230V 50Hz
B	~250V 16A 50Hz
C	3/N/PE~380/220V 50Hz
D	3/PE~200V 50-60Hz
F	2/PE 220-240V 50Hz
G	3/N/PE~415/240V 50Hz
H	3/PE~230V 50Hz
I	3/PE~220V 60Hz
J	3/PE~380 50Hz
K	3/PE~400V 50Hz
L	3/PE~415V 50Hz
M	3/PE~440V 60Hz
N	3/PE~460V 60Hz
O	3/PE~480V 60Hz
P	1/N/PE~220-240V 50Hz
R	2/PE~220-230V 60Hz
S	3/N/PE~400/230V 50Hz
T	3/PE~230V 60Hz

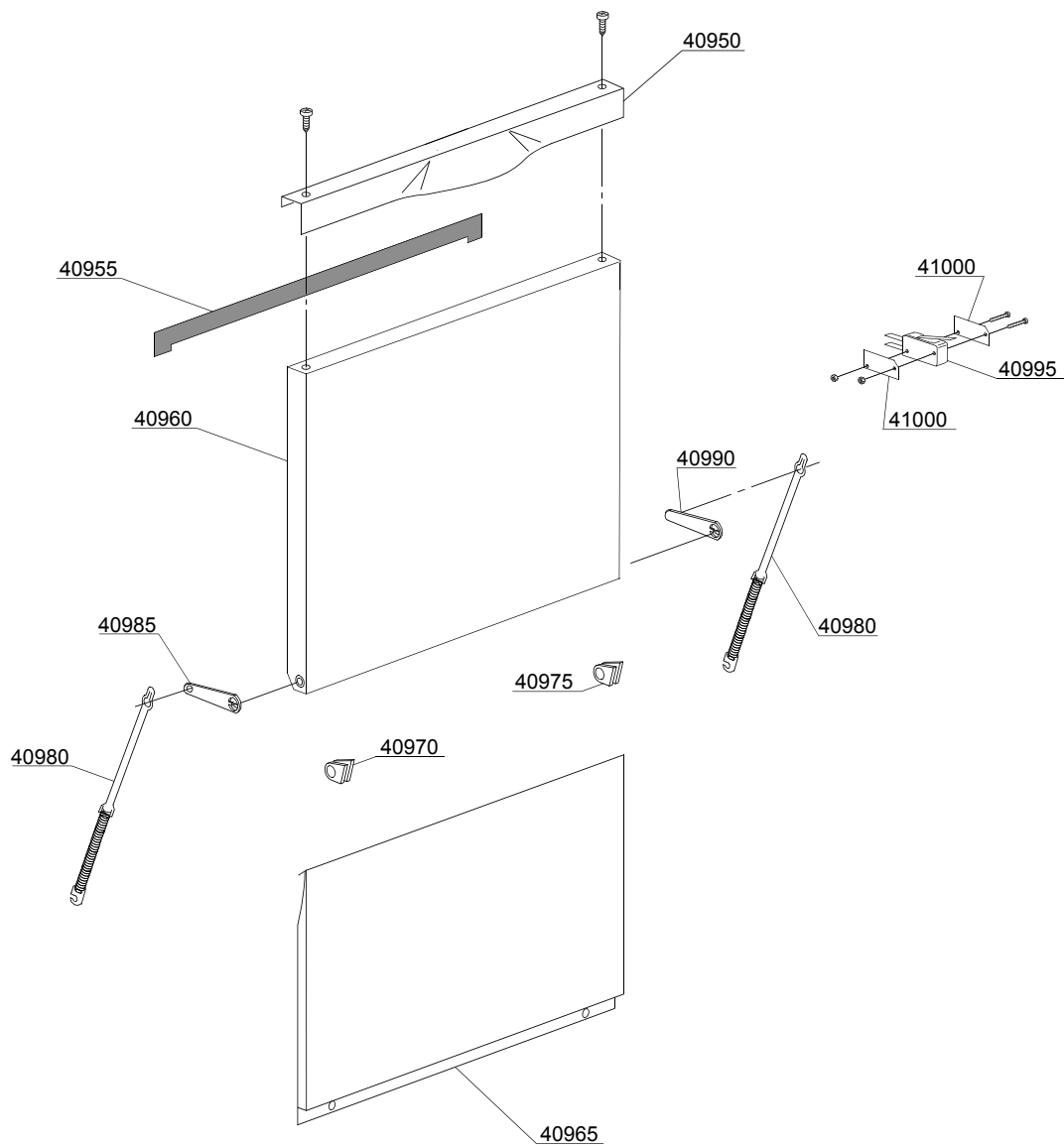
1.2 Product codes

Product code	Full name
Model codes	
ec	ELECTRONICAL SWITCHES
ls	LOWER AND UPPER WASHING
Type codes	
32ELKC	32ELKC
Accessory codes	
pap	BOOSTER PUMP
dvgw	DVGW
fs	COLD RINSE
dde	DETERGENT DISPENSER
ps	DRAIN PUMP



Spare parts

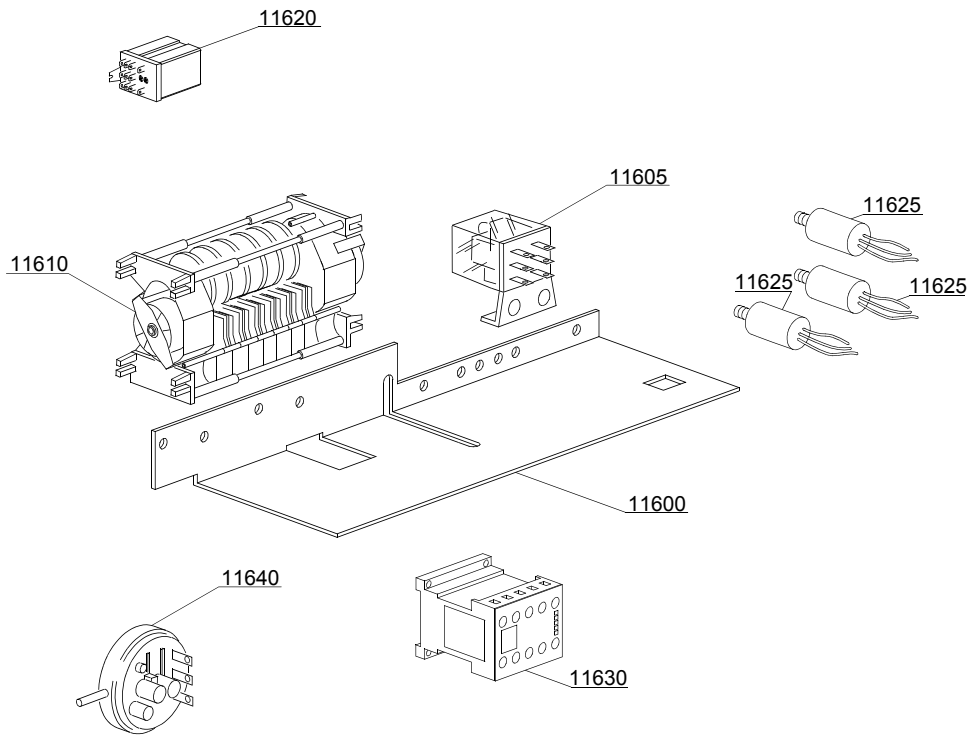
ID	P-code	Model	Type	Accessory	Voltage	Description
MODULE:General body parts						
10505	540903		32ELKC			Back panel
10510	540908		32ELKC			Body
10515	15065/A		32ELKC			Cable-fastener with screw
10520	540086		32ELKC			Filter handle
10525	540028		32ELKC			Surface half-filter
10530	540406		32ELKC			0,4/0,44KW 230/240V heating element
10535	540900		32ELKC			Right side
10540	540901		32ELKC			Left side
10545	10850		32ELKC			Foot
10560	540039		32ELKC			Surface filter handle
10565	15551		32ELKC			Fixed tank thermostat in deviation
10580	80208		32ELKC			95x75x3 O-ring
10585	500606		32ELKC			Right side scrap tray
10590	13317		32ELKC			Ø40mm lead through rubber
10595	10707/1		32ELKC			0-90°C thermostat
10605	500551		32ELKC			6 poles terminal board
10610	10713		32ELKC			3x2,5x2500 cable
10610	15118		32ELKC			5x2,5 cable
10615	540080		32ELKC			Pump suction filter
10620	540088		32ELKC			Ring nut for pump suction holder-filter



02_305_e

Spare parts

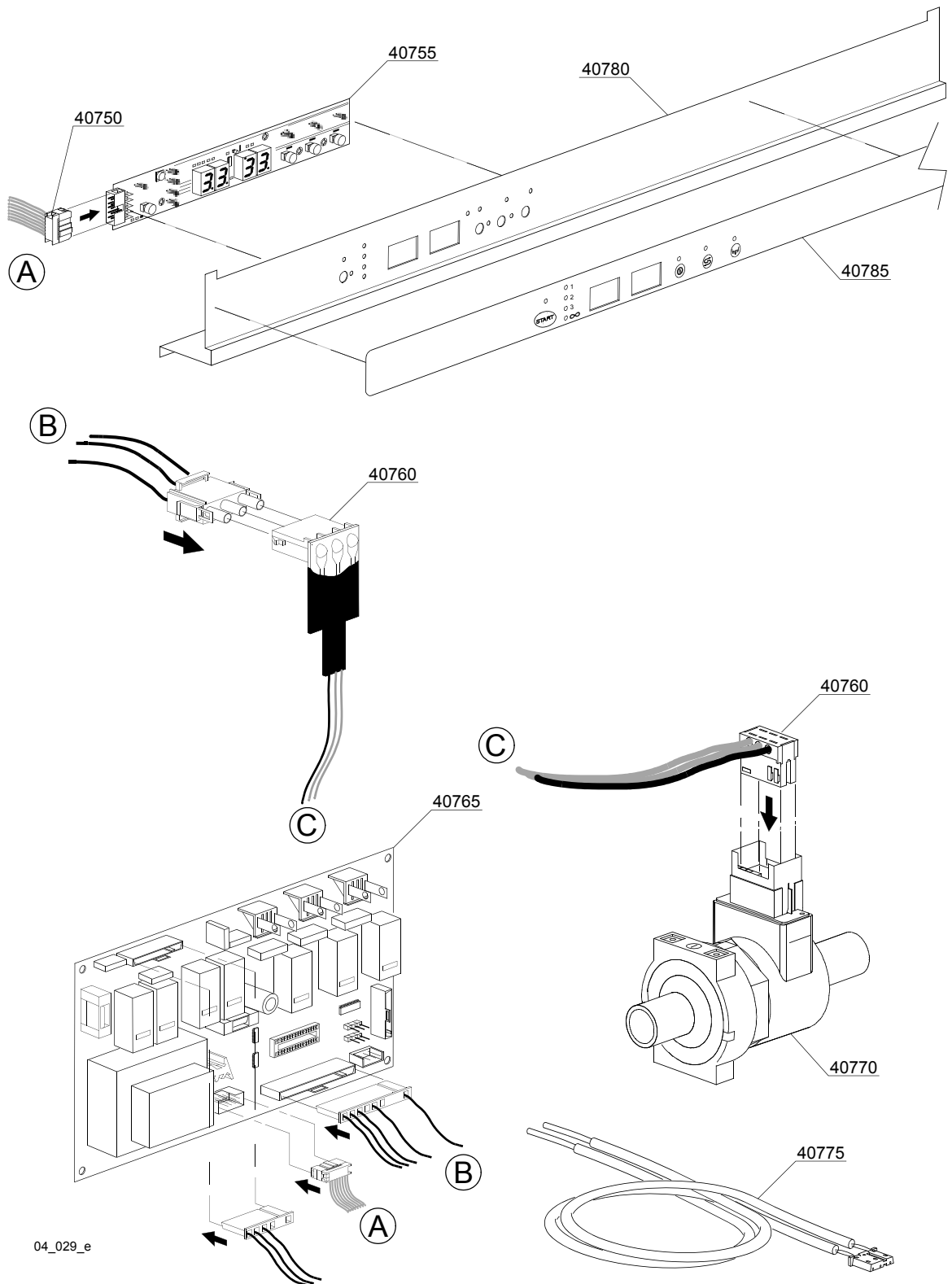
ID	P-code	Model	Type	Accessory	Voltage	Description
MODULE:Lockup system						
40950	540959		32ELKC			ELEKTRON 400 Door with steel handle
40955	560021		32ELKC			ELK 400 Profile for door O-ring
40960	540958		32ELKC			Stainless steel handle ELEKTRON 400
40965	540902		32ELKC			ELEKTRON 400 Lower door
40970	540636		32ELKC			Left axle bush for door hinge
40975	540635		32ELKC			Right axle bush for door hinge
40980	560003		32ELKC			Door spring
40985	540629		32ELKC			Left lock for door hinge
40990	540624		32ELKC			Right lock for door hinge
40995	10704		32ELKC			Door microswitch
41000	10770		32ELKC			Insulation for door microswitch



04_001_e

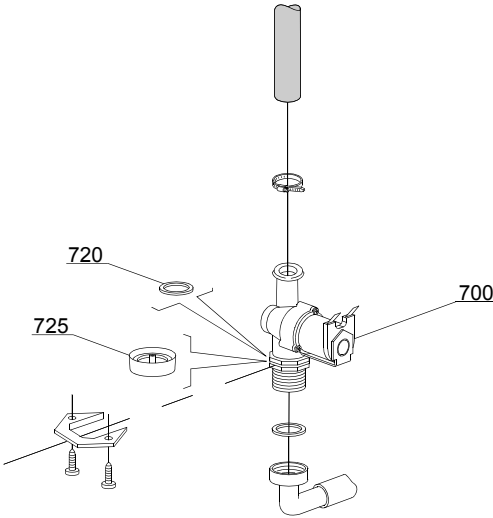
Spare parts

ID	P-code	Model	Type	Accessory	Voltage	Description
MODULE:Electric control components						
11600	540943		32ELKC			Electric components panel
11605	16037		32ELKC			16A bipolar relay
11610	10300125		32ELKC			120" timer - 220Vac 60Hz"
11620	16037/D		32ELKC			16A bipolar relay
11625	15149		32ELKC			Low noise filter
11630	15086		32ELKC			Contactactor 230V 50/60Hz 4C
11630	15086/B		32ELKC			Contactactor 240V 50Hz
11640	540054		32ELKC			18-33 pressure switch



Spare parts

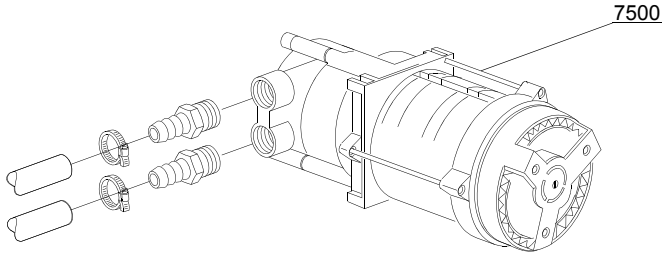
ID	P-code	Model	Type	Accessory	Voltage	Description
MODULE:Electric control ELEKTRO						
40750	50589		32ELKC			"Elite"plug
40755	50581		32ELKC			Touche sensitive "Elite"
40760	50584		32ELKC			"Elite"water flow board
40765	50580		32ELKC			"Elite"electronic timer+main board
40770	50583		32ELKC			Water flow meter for "Elite"board
40775	50562		32ELKC			Temperature probe set
40780	540960		32ELKC			ELEKTRON 400 Control Panel
40785	540106		32ELKC			Silkscreen processed grill



05_002_e

Spare parts

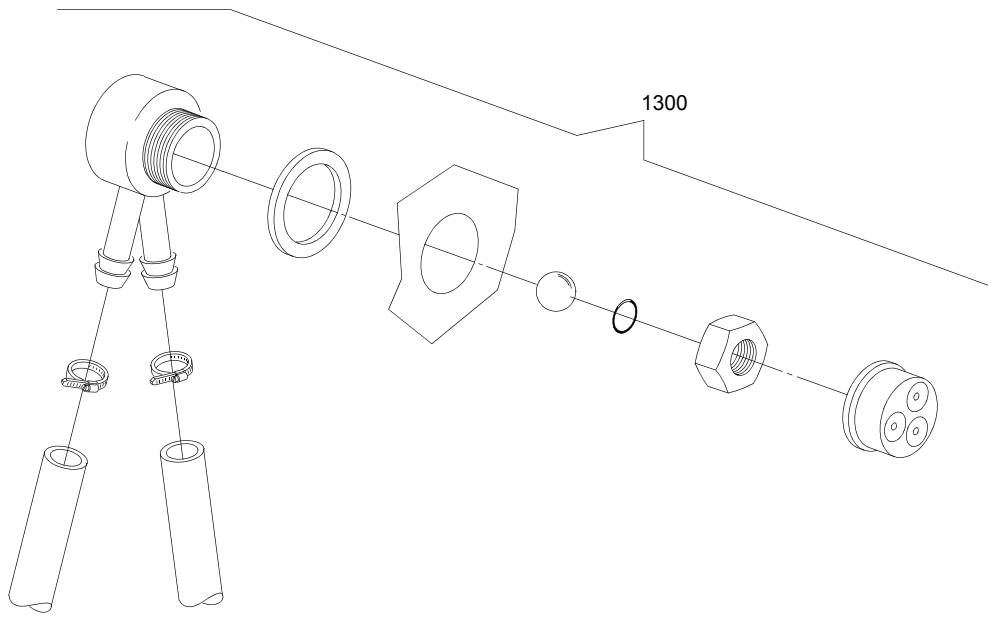
ID	P-code	Model	Type	Accessory	Voltage	Description
MODULE:Solenoid valve group						
700	10703		32ELKC			Single solenoid valve
720	N.C.		32ELKC			Pression reducing valve



07_003_e

Spare parts

ID	P-code	Model	Type	Accessory	Voltage	Description
MODULE:Booster pump						
7500	15100/D		32ELKC	bp		Booster pump 220-240/50

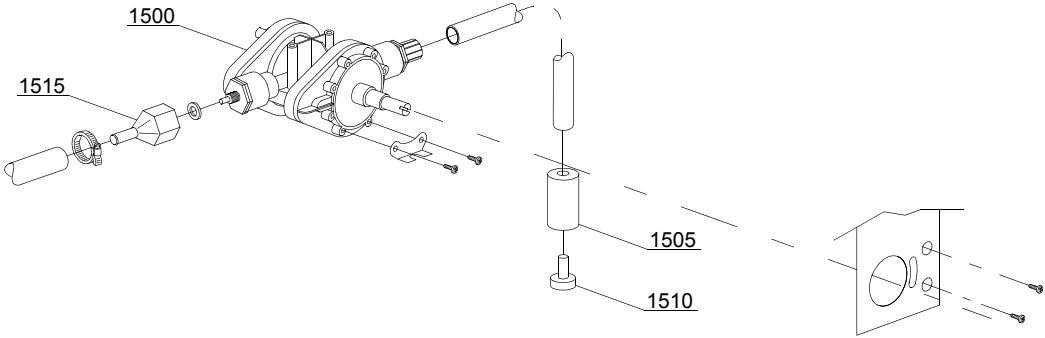


08_005_e

Spare parts

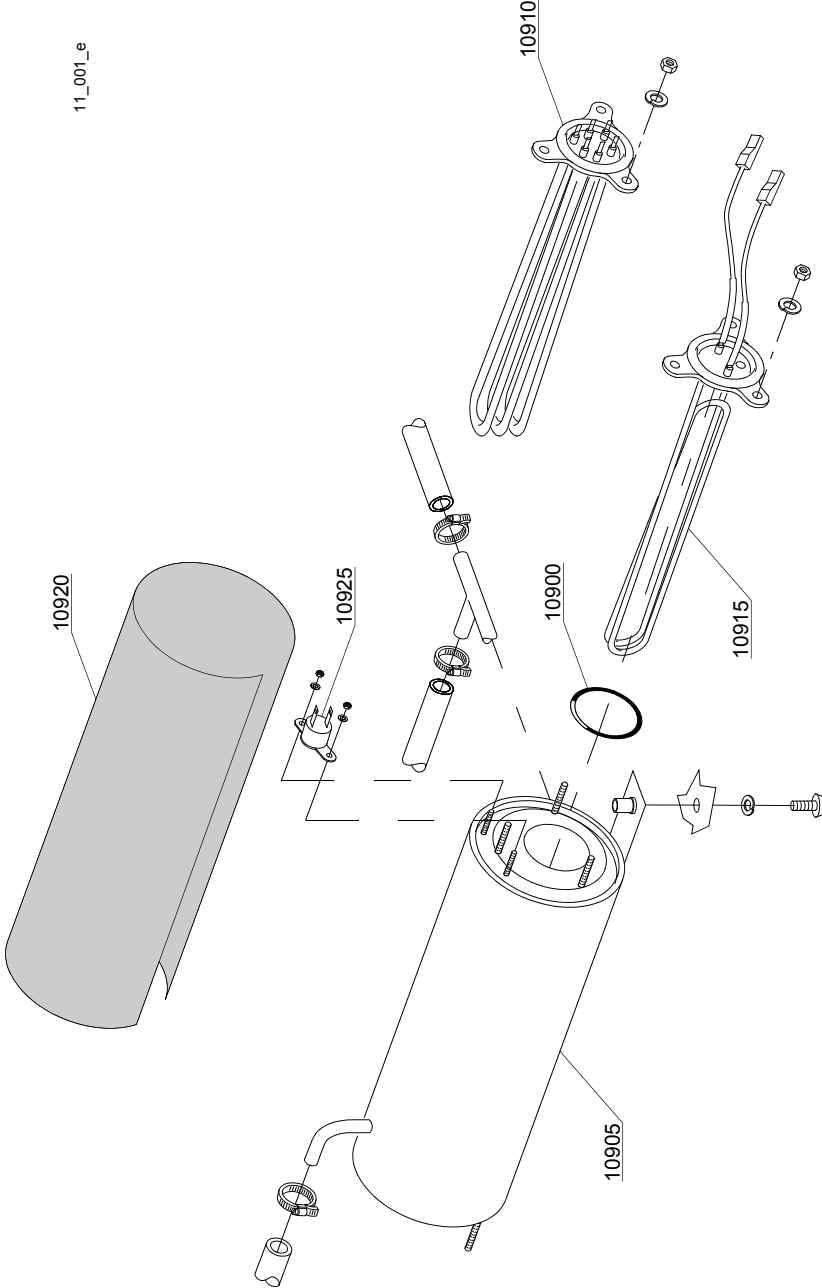
ID	P-code	Model	Type	Accessory	Voltage	Description
MODULE:DVGW						
1300	999900006		32ELKC	dvgw		DVGW assembly

10_002_e



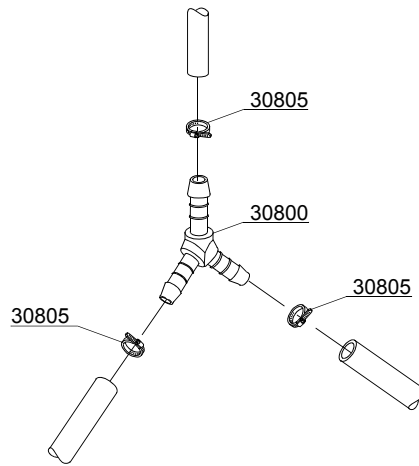
Spare parts

ID	P-code	Model	Type	Accessory	Voltage	Description
MODULE: Rinse aid dispenser group						
1500	10798		32ELKC			Rinse aid dispenser
1505	12525		32ELKC			Counter-weight
1510	15058		32ELKC			Small filter
1515	10798/B		32ELKC			Brass pipe fitting



Spare parts

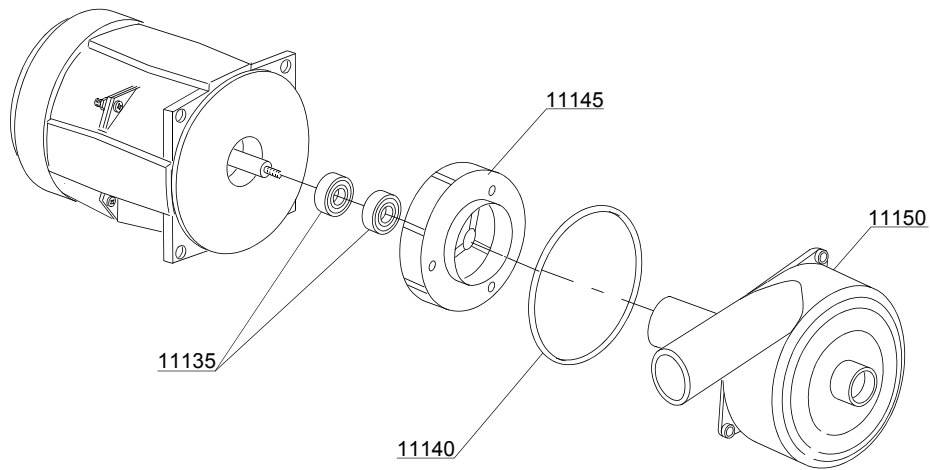
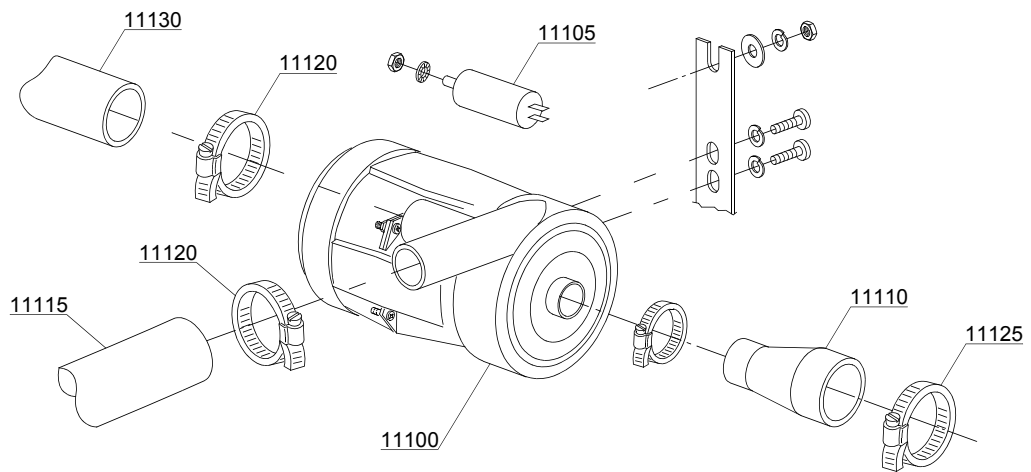
ID	P-code	Model	Type	Accessory	Voltage	Description
MODULE:Boiler group						
10900	13010		32ELKC			OR O-ring
10905	540006		32ELKC			Boiler
10910	18215		32ELKC			4/4,36KW 230/240/3 heating element
10915	18206/D		32ELKC			2,8/3,05KW 230/240V heating element
10920	540040		32ELKC			Insulation boiler
10925	15550		32ELKC			Safety thermostat



12_003ae

Spare parts

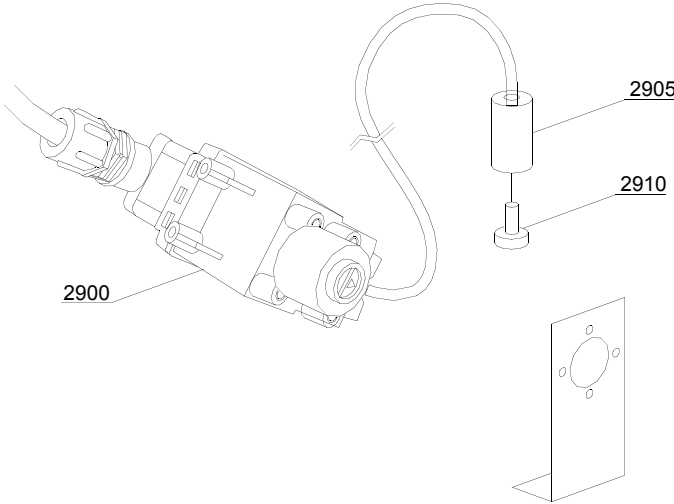
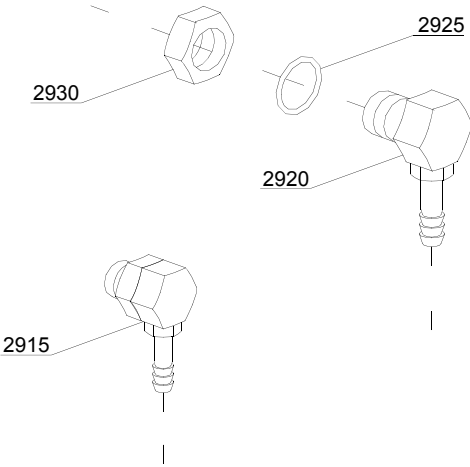
ID	P-code	Model	Type	Accessory	Voltage	Description
MODULE:3 ways connection						
30800	540090		32ELKC			Ø10 mm plastic 3 ways connection
30800	540094		32ELKC			Ø6 mm plastic 3 ways connection
30805	11807		32ELKC			12/22 clamp



Spare parts

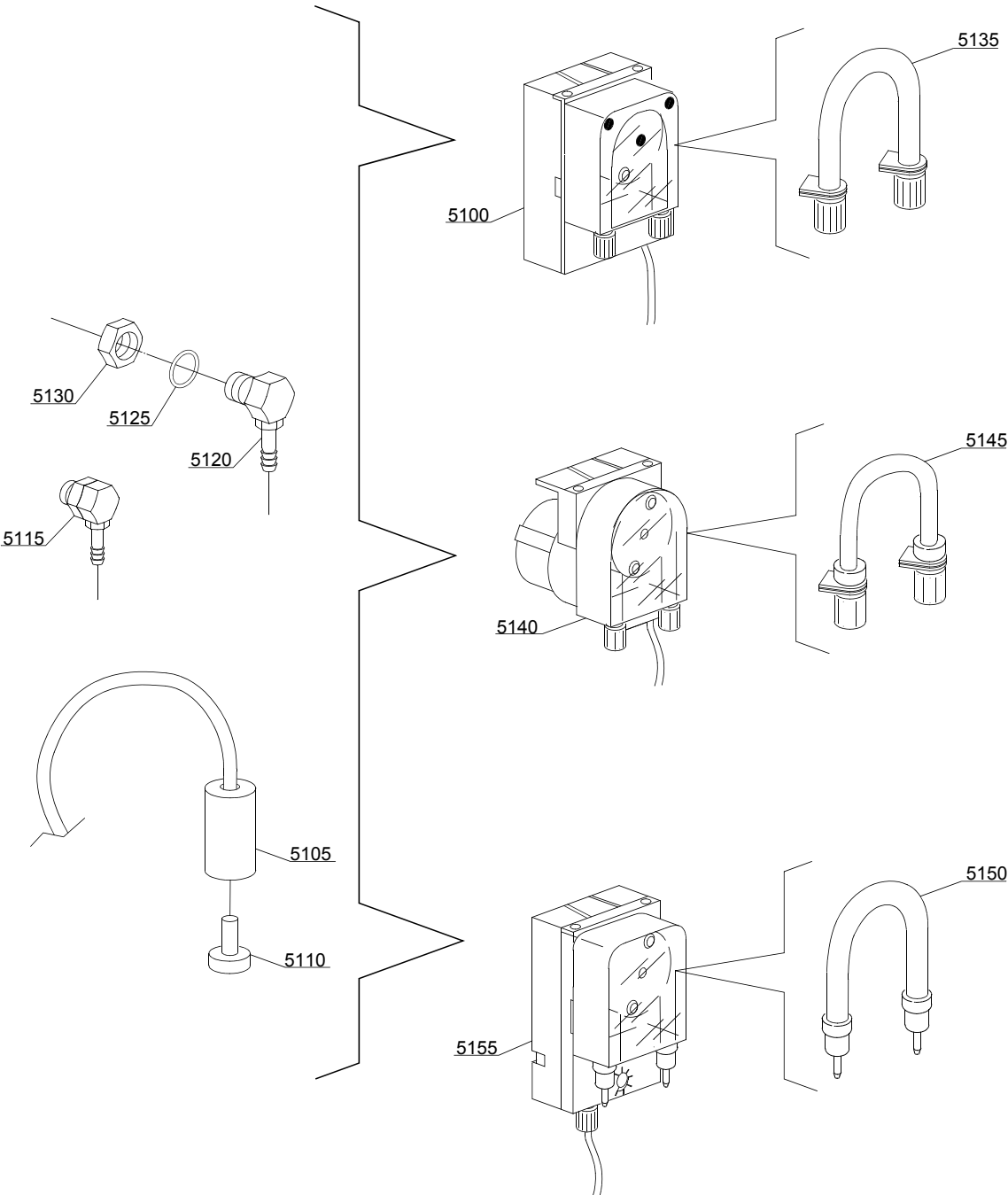
ID	P-code	Model	Type	Accessory	Voltage	Description
MODULE:Wash pump						
11100	18242		32ELKC		A	0,30Hp wash pump
11105	18043		32ELKC			10 uF condenser
11110	540005		32ELKC			Suction pipe coupling
11115	16168		32ELKC			Lower wash delivery pipe
11120	11806		32ELKC			25/40 clamp
11125	11824		32ELKC			50/70 clamp
11130	540004		32ELKC			Top delivery pipe
11135	15080		32ELKC			Rotating seals
11140	18245		32ELKC			OR O-ring
11145	18246		32ELKC			Pump rotor
11150	18247		32ELKC			Scroll

14_002_e



Spare parts

ID	P-code	Model	Type	Accessory	Voltage	Description
MODULE:Dosing detergent group						
2900	15108/L		32ELKC	dd		Lang detergent pump
2905	12525		32ELKC	dd		Counter-weight
2910	15058		32ELKC	dd		Small filter
2915	15123		32ELKC	dd		Complet plastic injector
2920	15148		32ELKC	dd		Steel injector
2925	15159		32ELKC	dd		OR O-ring
2930	10200205		32ELKC	dd		M12x1 stainless steel nut

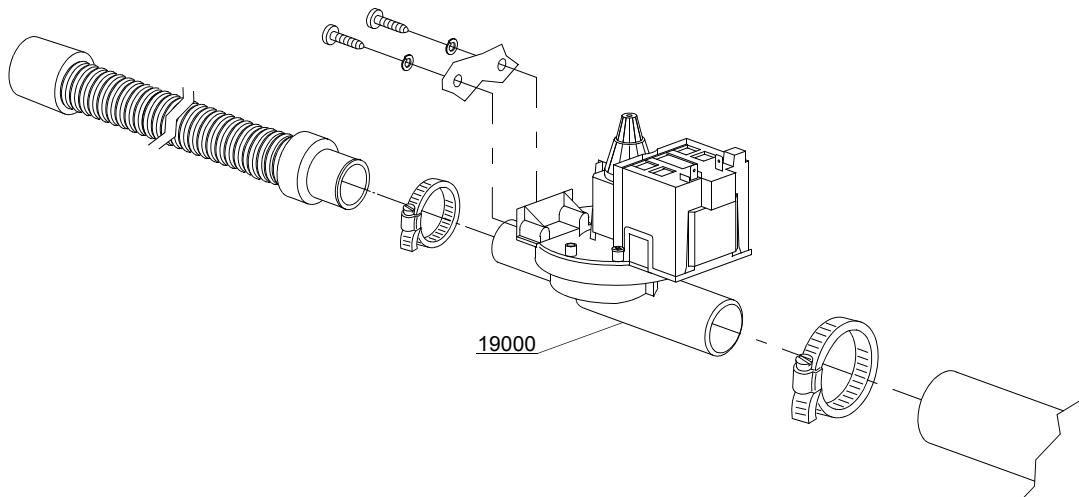


14_004_e

Spare parts

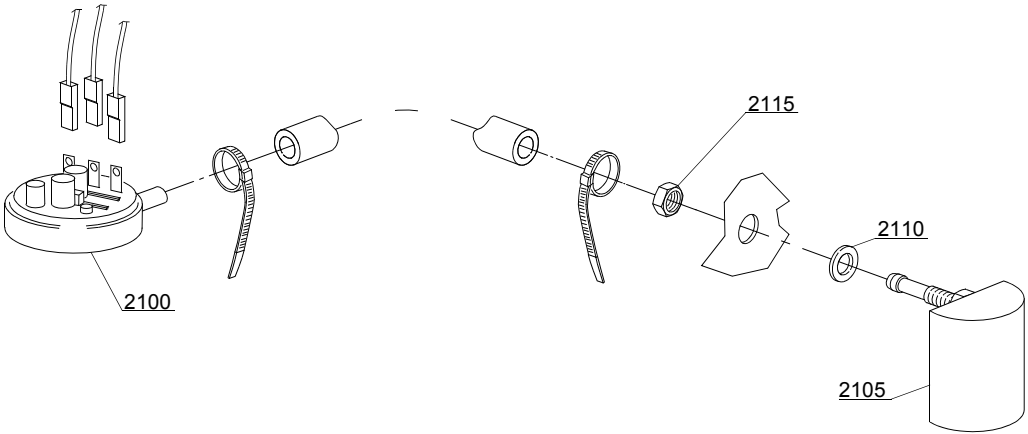
ID	P-code	Model	Type	Accessory	Voltage	Description
MODULE:Dosing detergent group						
5100	15985		32ELKC	dd		Seko detergent pump
5105	12525		32ELKC	dd		Counter-weight
5110	15058		32ELKC	dd		Small filter
5115	15123		32ELKC	dd		Compleat plastic injector
5120	15148		32ELKC	dd		Steel injector
5125	15159		32ELKC	dd		OR O-ring
5130	10200205		32ELKC	dd		M12x1 stainless steel nut
5135	15185		32ELKC	dd		Seko thermoplastic pipe
5140	15985		32ELKC	dd		Germac detergent pump
5145	15108/E		32ELKC	dd		Germac thermoplastic pipe

15_002_e



Spare parts

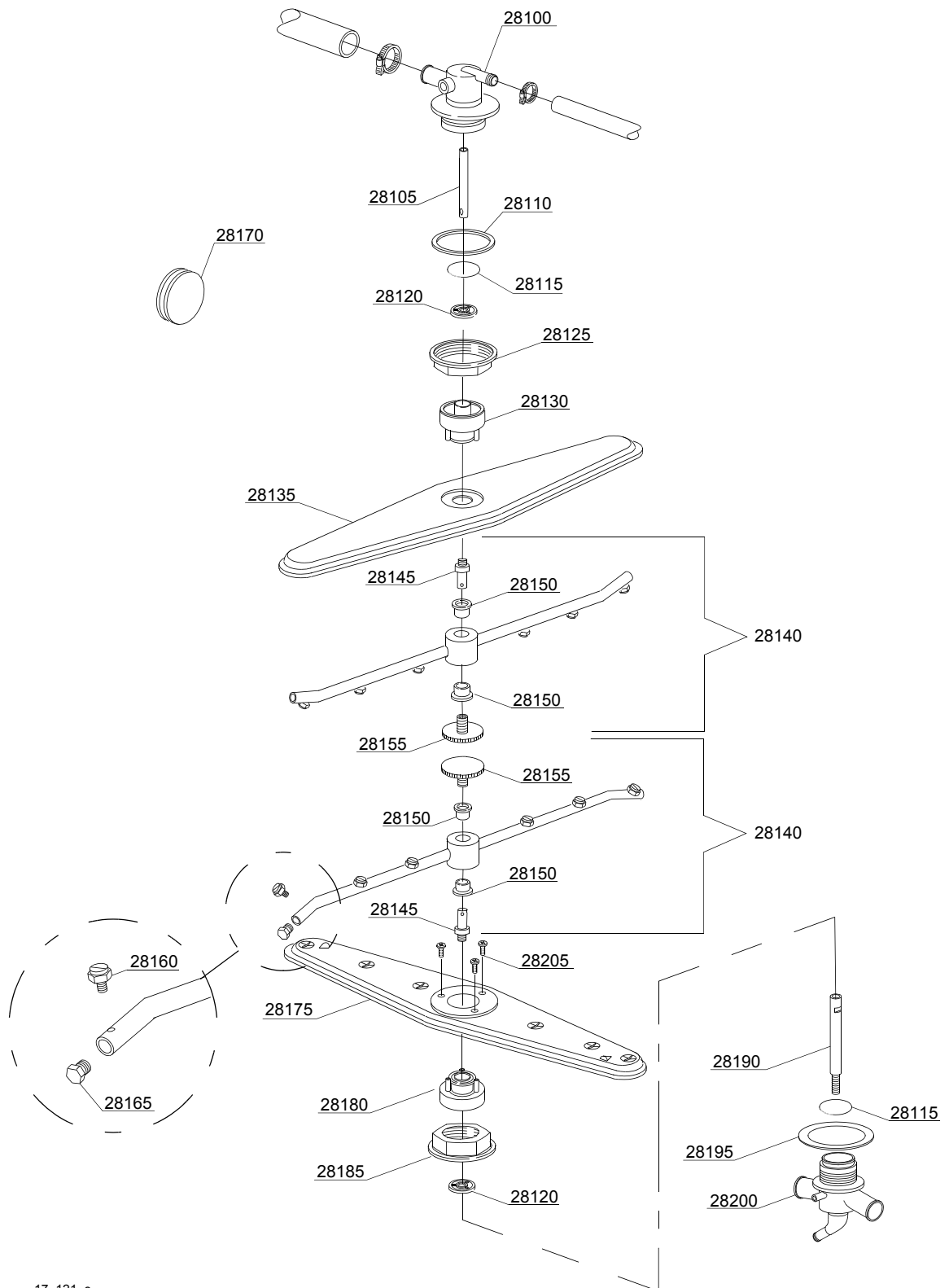
ID	P-code	Model	Type	Accessory	Voltage	Description
MODULE:Drain pump group						
19000	15101/A		32ELKC	dp	A	Drain pump - 50Hz



16_001_e

Spare parts

ID	P-code	Model	Type	Accessory	Voltage	Description
MODULE:Pressure switch group with air trap						
2100	10706/A		32ELKC			47-27 pressure switch
2105	135911/B		32ELKC			Air trap assembly
2110	13301		32ELKC			O-ring
2115	11702		32ELKC			M8 stainless steel nut



17_121_e

Spare parts

ID	P-code	Model	Type	Accessory	Voltage	Description
MODULE:Turret group with rotating arms						
28100	540075		32ELKC			Top turret
28105	540081		32ELKC			Top axle extension
28110	540032		32ELKC			Plain O-ring
28115	540079		32ELKC			Spacer ring for hub
28120	540076		32ELKC			Guide pipe
28125	540093		32ELKC			Nut for top turret fixing
28130	540078		32ELKC			Top hub for rotor
28135	540085		32ELKC			Top wash rotor
28140	540083		32ELKC			Rinse group
28145	75323		32ELKC			Rinse axle
28150	13330		32ELKC			Sliding washer
28155	11101/B		32ELKC			Stainless steel group fixing screw
28160	560018		32ELKC			Stainless steel rinse nozzle
28165	560017		32ELKC			Rinse arm plug
28170	13316/A		32ELKC			DVGW hole O-ring
28175	540084		32ELKC			Lower wash rotor
28180	540077		32ELKC			Lower hub for rotor
28185	540010		32ELKC			Nut for lower turret fixing
28190	540082		32ELKC			Lower axle extension
28195	540034		32ELKC			Plain O-ring
28200	540074		32ELKC			Lower turret
28205	11006		32ELKC			Stainless steel screw