

## CME256 or CME506 or CME656 or CME806 Service Parts

This parts list contains service part information for 8 basic models, plus 4 different electrical configurations. **The complete model number will be needed to identify the correct part.**

### Model Series Changes (code at end of model number)

- C series - changes to the front & side panels
- D series - changes to the top panel and to the compressor starting components
- E series - new side panels and 2 TXVs with check valves for the CME506
- F series - new water cooled condensers
- H series - color change

Electrical Codes are located at the end of the model number (voltage/hertz/phase):

- -1 is 115/60/1
- -32 is 208-230/60/1
- -3 is 208-230/60/3
- -6 is 250/50/1

### Electrical Components Common to All Machines:

- Inlet water valve
- Water sensor
- Discharge line sensor
- Controller
- Ice sensor/bin controls
- Water level sensor

### Unique Electrical Components

- Compressor and related starting components
- Contactor (single / three phase)
- Fan motor
- Water pump
- Transformer
- Hot gas valve

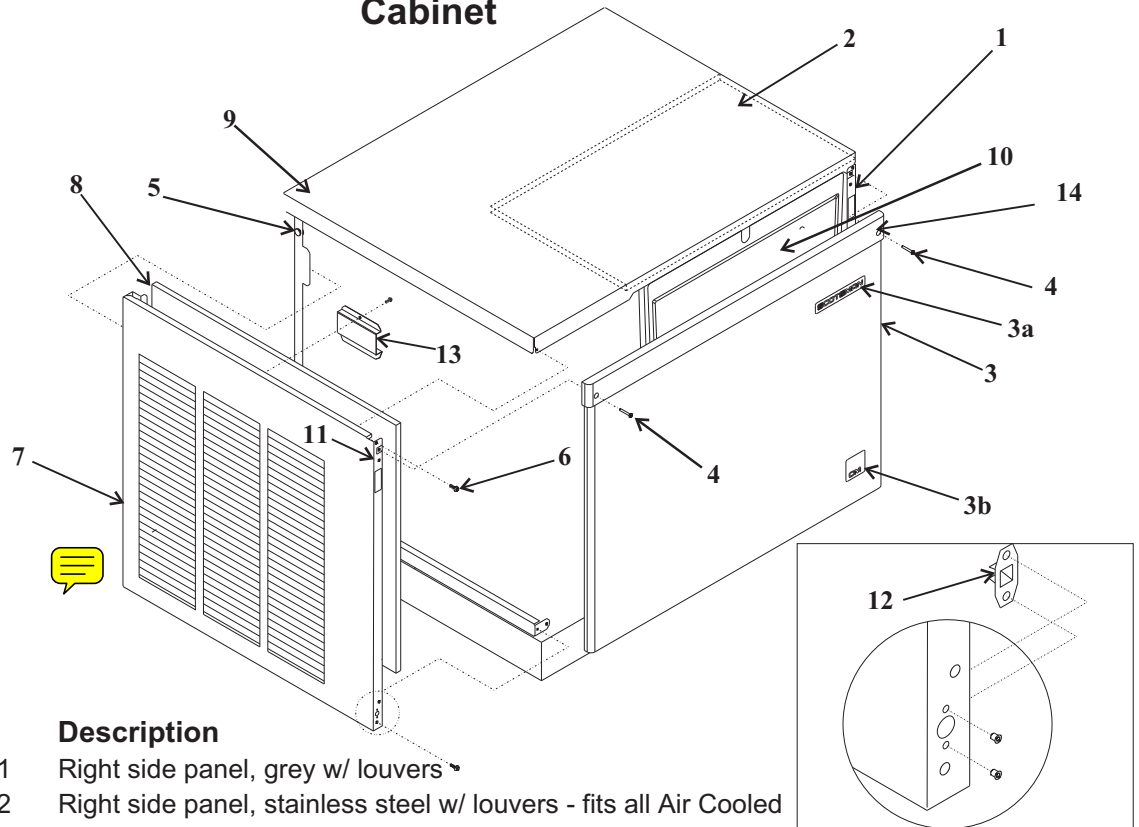
Other Unique parts include: side panels, electrical, refrigeration and some water system items.

### TABLE OF CONTENTS

Cabinet . . . . .	PAGE 2	A - C Series CME256 and CME506 Air Cooled Wiring Diagram . . . . .	PAGE 24
Interior Structure & Controls . . . . .	PAGE 3	A - C Series Water Cooled Single Phase Schematic Diagram . . . . .	PAGE 25
CME256 Air Cooled Refrigeration . . . . .	PAGE 4	A - C Series CME256 and CME506 Water Cooled Wiring Diagram . . . . .	PAGE 26
CME506 A - D Series Air Cooled Refrigeration	PAGE 5	A - C Series CME656 or CME806 Air Cooled Single Phase Wiring Diagram . . . . .	PAGE 27
CME506 E - H Series Air Cooled Refrigeration	PAGE 6	A - C Series CME656 Water Cooled Single Phase Wiring Diagram . . . . .	PAGE 28
CME656 Air Cooled Refrigeration . . . . .	PAGE 7	A - H Series Three Phase Air Cooled Schematic Diagram . . . . .	PAGE 29
CME806 Air Cooled Refrigeration . . . . .	PAGE 8	A - C Series CME656 Air Cooled Three Phase Wiring Diagram . . . . .	PAGE 30
Water System Components . . . . .	PAGE 9	A - H Series CME656 Three Phase Water Cooled Schematic Diagram . . . . .	PAGE 31
CME256 Water Cooled Refrigeration . . . . .	PAGE 10	A - C Series CME656 Three Phase Water Cooled Wiring Diagram . . . . .	PAGE 32
CME506 A - D Series Water Cooled Refrigeration . . . . .	PAGE 11	D thru H Series CME506 50 Hz Air Cooled Diagram . . . . .	PAGE 33
CME506 E - H Series Water Cooled Refrigeration . . . . .	PAGE 12	D thru H Series CME506 50 Hz Water Cooled Diagram . . . . .	PAGE 34
CME656 Water Cooled Refrigeration . . . . .	PAGE 13	D thru H Series CME656 or CME806 50 Hz Air Cooled Diagram . . . . .	PAGE 35
CME806 Water Cooled Refrigeration . . . . .	PAGE 14	D thru H Series CME656 or CME806 50 Hz Water Cooled Diagram . . . . .	PAGE 36
Compressors and Electrical Components for CME256 and CME506 . . . . .	PAGE 15	B or C Series 50 Hz Water Cooled CME506 Diagram . . . . .	PAGE 37
Compressors and Electrical Components for CME656 and CME806 . . . . .	PAGE 16	B or C Series, 50 Hz Air Cooled CME656 and CME806 Diagram . . . . .	PAGE 38
HTB555 Ice Storage Bin . . . . .	PAGE 17	B or C Series, 50 Hz Water Cooled CME656 and CME806 Diagram . . . . .	PAGE 39
D thru H Series Single Phase 60 Hz Schematic Diagram . . . . .	PAGE 18	B or C Series, 50 Hz Air Cooled CME506 Diagram . . . . .	PAGE 40
D thru H Series, 115 volt CME256 and CME506 Wiring Diagram . . . . .	PAGE 19	D thru H Series, 50 Hz CME256 Diagram . . . . .	PAGE 41
D thru H Series CME656 or CME806 Single Phase Wiring Diagram . . . . .	PAGE 20		
D thru H Series CME656 Three Phase Wiring Diagram . . . . .	PAGE 21		
D thru H Series, 230 volt, 60 Hz. CME256 and CME506 Diagram . . . . .	PAGE 22		
A - C Series Single Phase Air Cooled Schematic Diagram . . . . .	PAGE 23		

# CME256 or CME506 or CME656 or CME806 Service Parts

## Cabinet

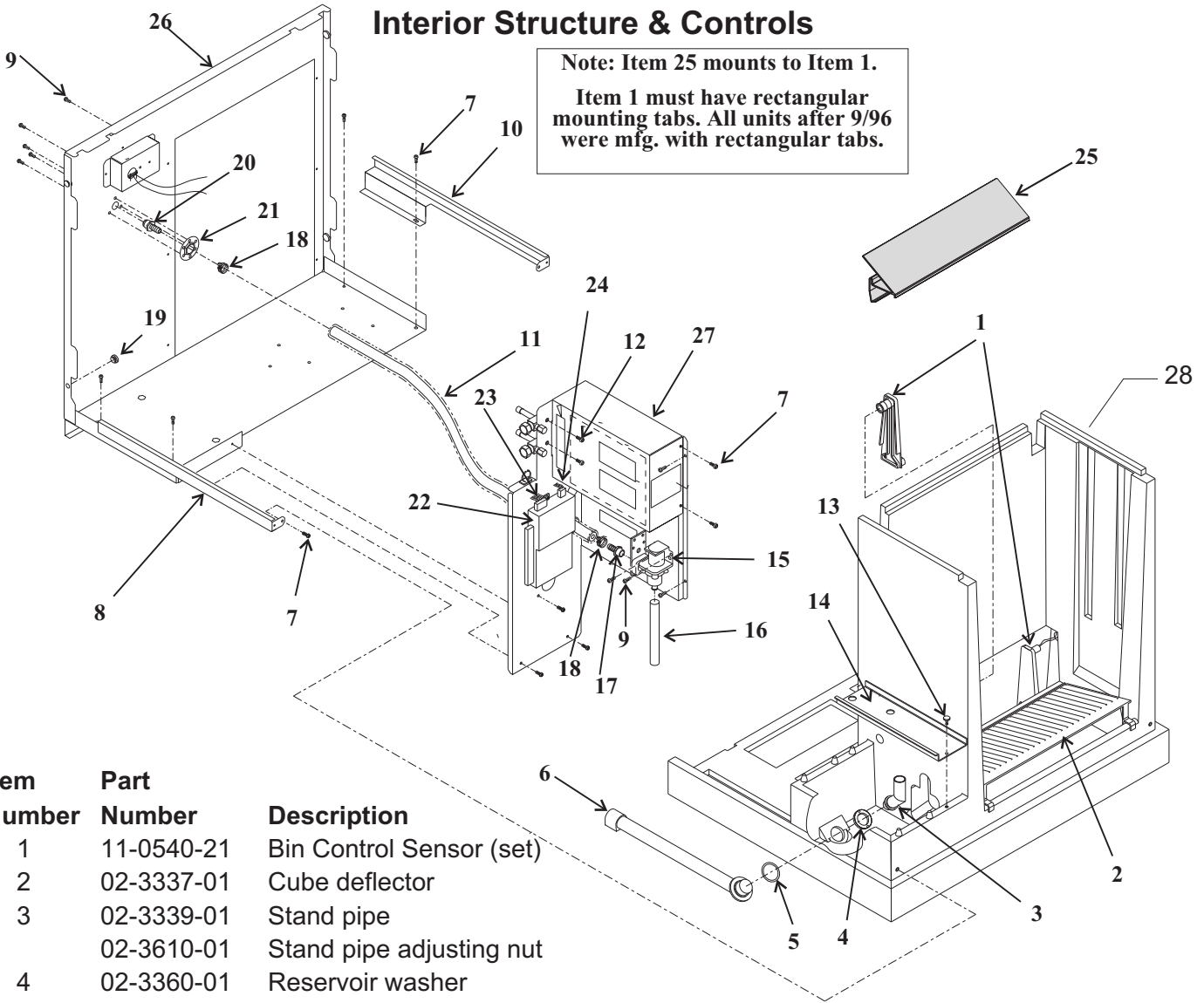


Item Number	Part Number	Description	
1	A35963-021	Right side panel, grey w/ louvers	
	A35963-022	Right side panel, stainless steel w/ louvers - fits all Air Cooled	
	A37071-021	Right side panel, painted w/out louvers (water cooled only)	
	A37071-022	A - D series right side panel, stainless steel without louvers (water cooled only)	
	A38126-021	E - H series right side panel, w/out louvers for water cooled only	
2	02-3659-01	Top insulation	
	02-3797-21	<b>C series Front panel kit, gray plastic</b> , includes trim strip & emblems	
3	03-1733-01	Strike (for C to H series panel, SS or plastic)	
	A37167-001	Front panel kit, SS, replaces gray plastic or SS, includes item 10a (for A series)	
	A37488-031	<b>C to H series Front panel kit, stainless steel</b> , includes trim strip & emblems	
3a	15-0808-01	Emblem for ss panel (Scotsman); 03-0271-00 is the speed nut for emblem	
3b	15-0792-02	Emblem for C to H series front panel, (CM <sup>3</sup> )	
4	03-1735-01	Screw for trim strip (for C to H series)	
	03-1404-12	Sheet metal screw for plastic front panel (for A series)	
	03-1419-22	Sheet metal screw for ss front panel	
5	02-1875-03	Panel bumper/hole plug	
	03-1531-01	Sheet metal screw	
7	A35962-021	Left side panel, grey enamel with louvers	
	A35962-022	Left side panel, stainless steel with louvers	
	A37070-021	Left side panel, grey enamel without louvers (water cooled only)	
	A37070-022	A - D series left side panel, stainless steel without louvers (water cooled only)	
	A38127-021	E - H series left side panel, w/out louvers for water cooled only	
8	02-3485-01	Air filter, air cooled only	
	A35965-001	Top panel, grey enamel, order item 2 also	
	A35965-002	Top panel, stainless steel, order item 2 also	
	02-3822-21	Top panel, plastic, fits all, original to H series	
10a	02-3663-01	Evaporator cover, use began Feb. 1997. Fits A and B series	
	02-3796-01	Insulation for above cover	
	02-3663-20	Evap cover w/ ins for C - H series	
11	03-1423-06	Speed nut for panel screws	
12	13	A37326-001	Filter bracket
	14	02-3794-31	Trim strip.
		03-1731-02	is the push nut for trim strip

**CME256 or CME506 or CME656 or CME806 Service Parts**

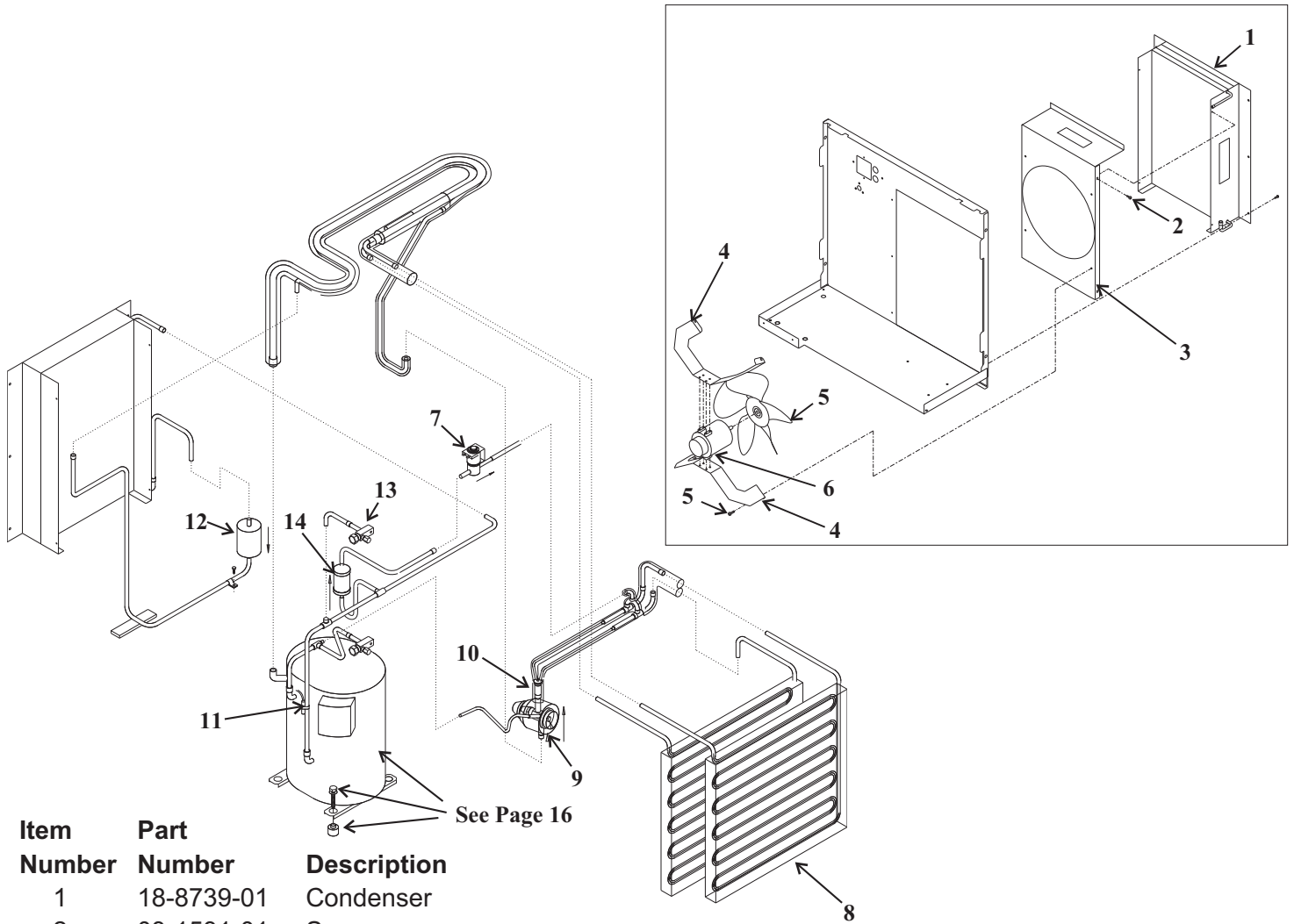
**Interior Structure & Controls**

Note: Item 25 mounts to Item 1.  
Item 1 must have rectangular mounting tabs. All units after 9/96 were mfg. with rectangular tabs.



Item Number	Part Number	Description
1	11-0540-21	Bin Control Sensor (set)
2	02-3337-01	Cube deflector
3	02-3339-01	Stand pipe
	02-3610-01	Stand pipe adjusting nut
4	02-3360-01	Reservoir washer
5	13-0617-56	O-ring
6	02-3338-01	Drain tube & fittings
7	03-1404-18	Screw
8	A36298-001	Left side channel
9	03-1531-01	Screw
10	A36297-001	Right side channel
11	13-0906-01	Plastic inlet water hose,
21" req. order 2 units - not used after Sept. 1996		
12	03-1645-01	Screw
13	03-1691-01	Nylon screw
14	02-3340-01	Reservoir cover
15	12-2548-01	Inlet water valve
16	13-0674-02	Tubing, 9" req., order 1 unit
17	02-3443-01	Water fitting for hose
	16-1020-01	Water fitting for copper
18	02-0179-05	Clamp
19	13-0903-01	Bumper for side panels
	20	16-0997-01 Inlet water fitting for hose
		16-1019-01 Inlet water fitting for copper
	21	16-0701-07 Mounting flange
	22	12-2838-23 AutoIQ controller
	23	12-2644-21 Low voltage harness A - C series
		12-2782-21 Low volt harness, D + series 60 Hz
		12-2782-23 Low volt harness, D + series 50 Hz
	24	12-2618-01 Hi volt harness, w fan control A series
		12-2476-01 Hi volt harness for w/o fan control A-C
		12-2678-01 Hi volt harness for 50 Hz models A-C
		12-2784-21 Hi volt harness for D + series 60 Hz.
		12-2786-21 Hi volt harness for D + series 50 Hz.
	25	02-3657-01 Cascading shield, used on CME806, 656 and 506 after 2/97
	26	A36460-001 Back panel assy (ac)
		A36460-003 Back panel assy (wc)
	27	A35959-001 Hi voltage box cover
	28	A36457-001 Foamed base

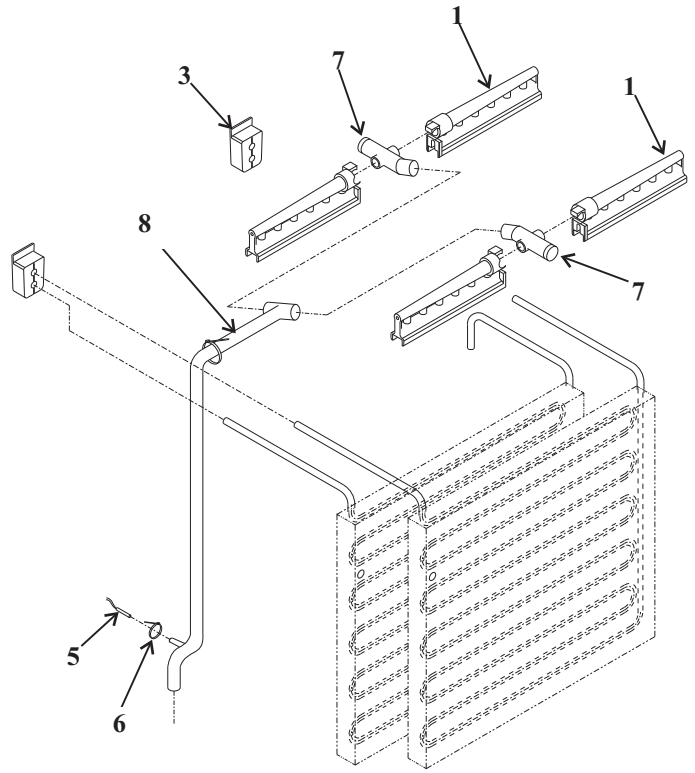
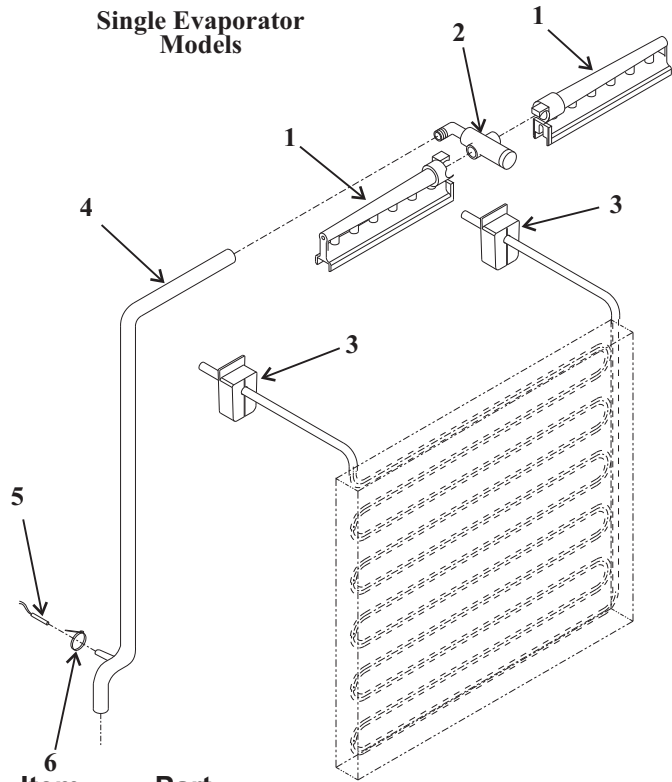
### CME806 Air Cooled Refrigeration



Item Number	Part Number	Description
1	18-8739-01	Condenser
2	03-1531-01	Screw
3	A35967-001	Shroud
4	A36668-001	Motor bracket
5	18-8503-01	Fan blade
6	<b>18-8829-01</b>	<b>Fan motor for 60 Hz.</b>
	<b>18-8829-02</b>	<b>Fan motor for 50 Hz.</b>
7	12-2471-24	Hot gas valve complete w/coil
	12-2719-23	Hot gas valve coil only
	12-2733-30	Hot gas valve repair kit (no body, no coil)
8	A36734-020	Evaporator
9	16-1076-21	TXV (interchangeable with prior valve)
	02-4406-01	Insulation for TXV
10	16-0843-02	Distributor and tubes
11	02-3410-21	Temperature sensor, includes water temp sensor & clip
	03-1711-01	Clip
12	02-3319-02	Dryer
13	16-0832-21	Access valve
13a	16-0832-03	Port cap
13b	16-0832-02	Stem cap
14	16-1063-01	Hot gas valve strainer

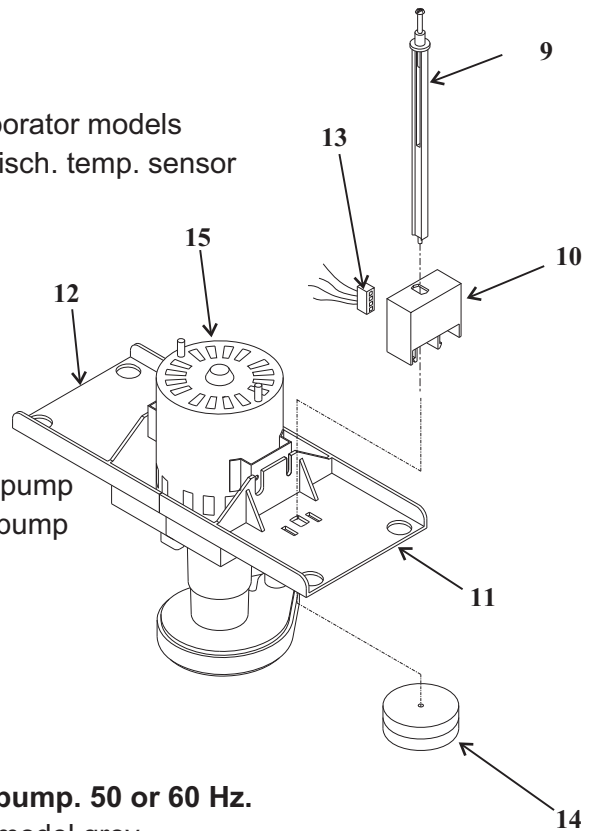
CME256 or CME506 or CME656 or CME806 Service Parts

Water System Components



Two Evaporator Models

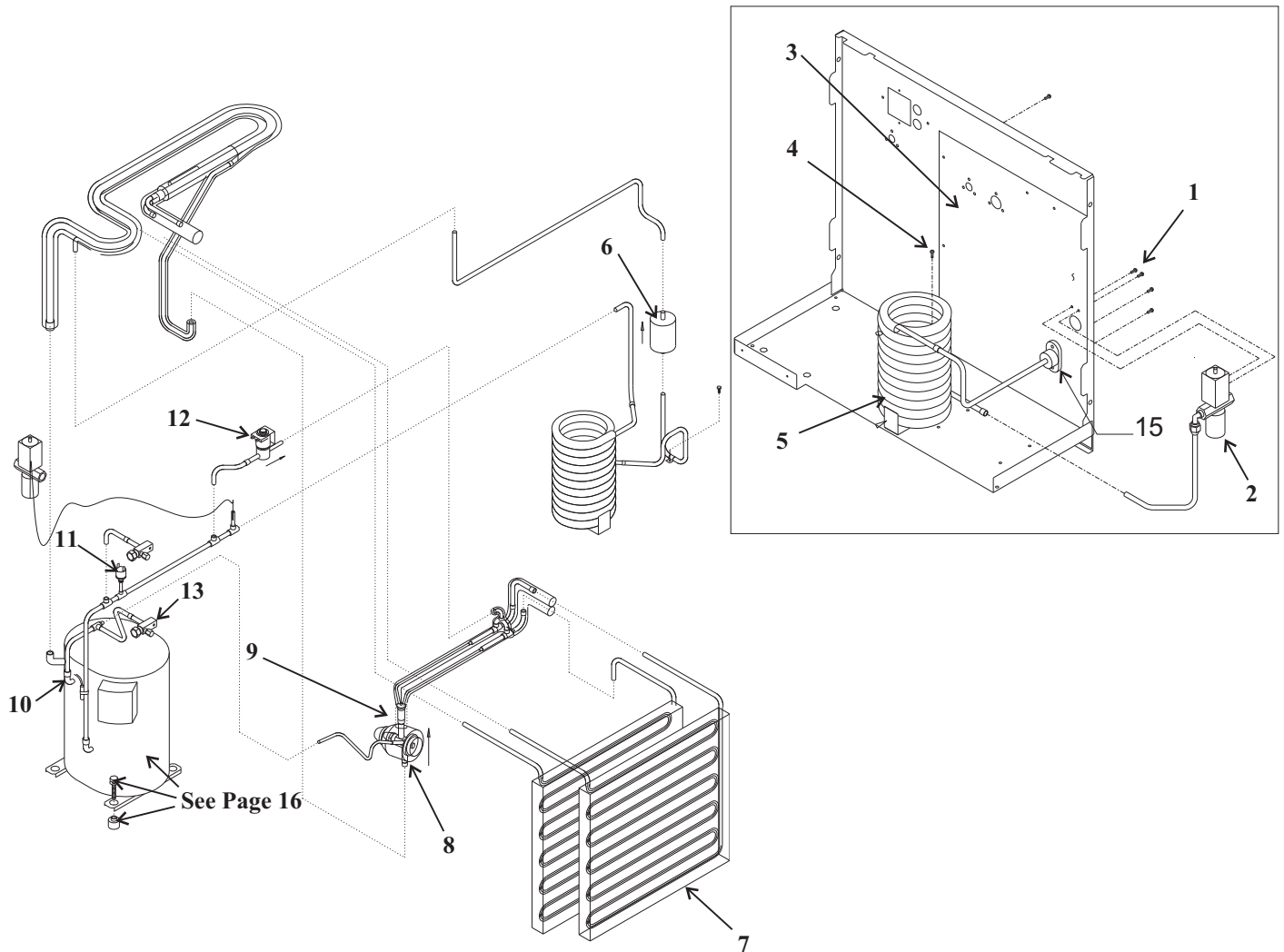
Item Number	Part Number	Description
1	02-2527-01	Water distributor
2	A30926-001	Distributor manifold
3	13-0898-02	Tubing grommet
4	02-3361-01	Water discharge tube for <b>single</b> evaporator models
5	02-3410-21	Water temperature sensor includes disch. temp. sensor
6	no number	Cable tie
7	02-3405-01	Inlet Tee
8	02-3336-01	Water distributor tube for <b>double</b> evaporator models
9	02-3383-01	Float stem, <b>1 evaporator model*</b>
	02-3383-02	Float stem, <b>2 evaporator model*</b>
10	11-0539-51	Float (water level) sensor
11	02-3388-04	Front pump bracket for 12-2586 type pump
12	02-3388-05	Rear pump bracket for 12-2586 type pump
13	12-2506-01	Harness
14	02-3341-01	Float
15	12-2586-21	<b>CME256-1 (115 volt) pump</b>
	12-2586-27	<b>CME506-1 (115 volt) pump</b>
	12-2586-26	<b>CME256-6 or -32 (208-230 volt),</b>
	12-2586-23	<b>CME506-6 or 32 (208-230 volt),</b>
		<b>CME656 or CME806 (208-230 volt) pump. 50 or 60 Hz.</b>



\* Not adjustable after 2/97. Then 1 evap model white, 2 evap. model grey.



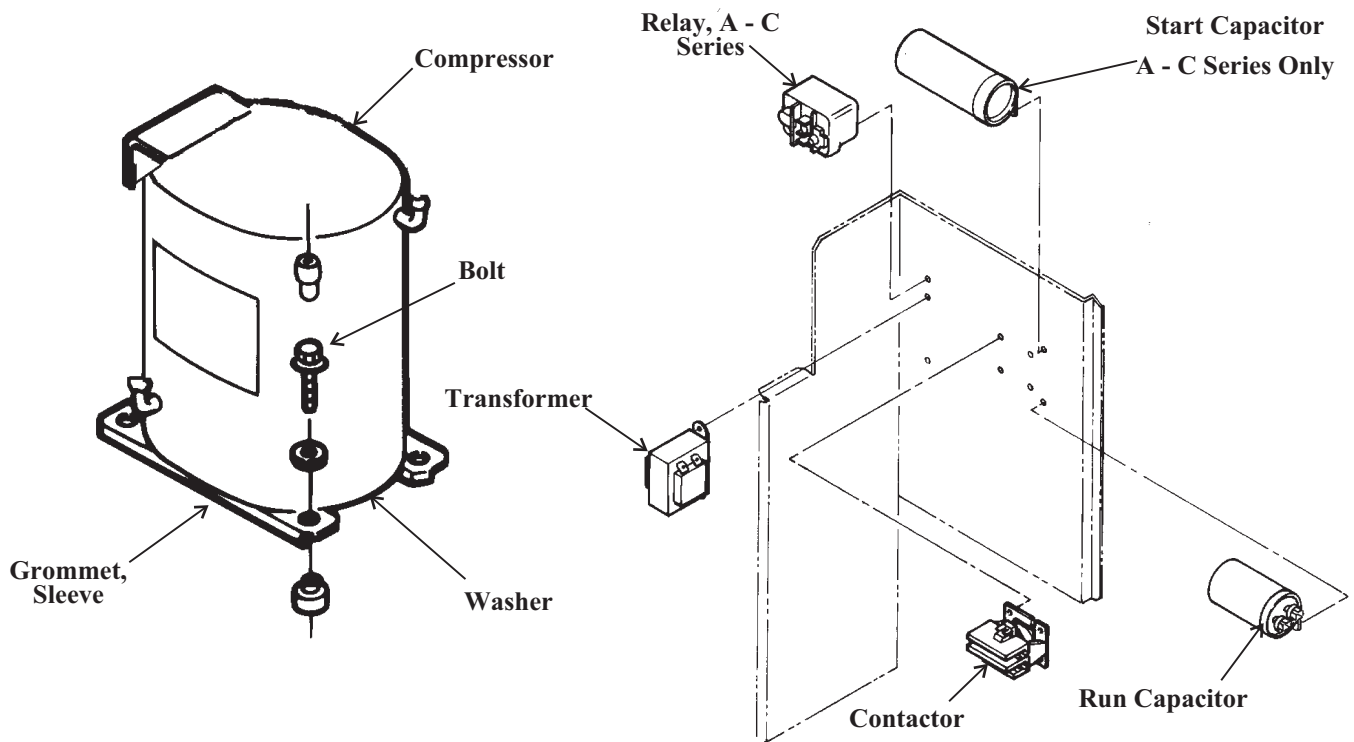
**CME806 Water Cooled Refrigeration**



Item Number	Part Number	Description	Item Number	Part Number	Description
1	03-1403-15	Screw	12	12-2471-24	Hot gas valve complete w/coil
2	11-0478-01	Water regulating valve		12-2719-23	Hot gas valve coil only
3	A36440-001	Back cover		12-2733-30	Hot gas valve repair kit, no coil, no body
4	03-1645-01	Screw	13	16-0832-21	Access valve
5	18-6900-21	Condenser, A - E series	13a	16-0832-03	Port cap
	18-8874-21	Condenser, F & H series	14	16-1063-01	Hot gas valve strainer, not shown
6	02-3319-02	Dryer	15	A31828-001	Fitting
7	A36734-020	Evaporator			
8	16-1076-21	TXV (interchangeable with prior valve)			
8a	02-4406-01	Insulation for TXV			
9	16-0843-02	Distributor and tubes			
10	02-3410-21	Hi temperature sensor, includes water temperature sensor			
	03-1711-01	Clip for sensor mounting			
11	11-0501-21	Hi pressure cut out			

## CME256 or CME506 or CME656 or CME806 Service Parts

### Compressors and Electrical Components for CME656 and CME806



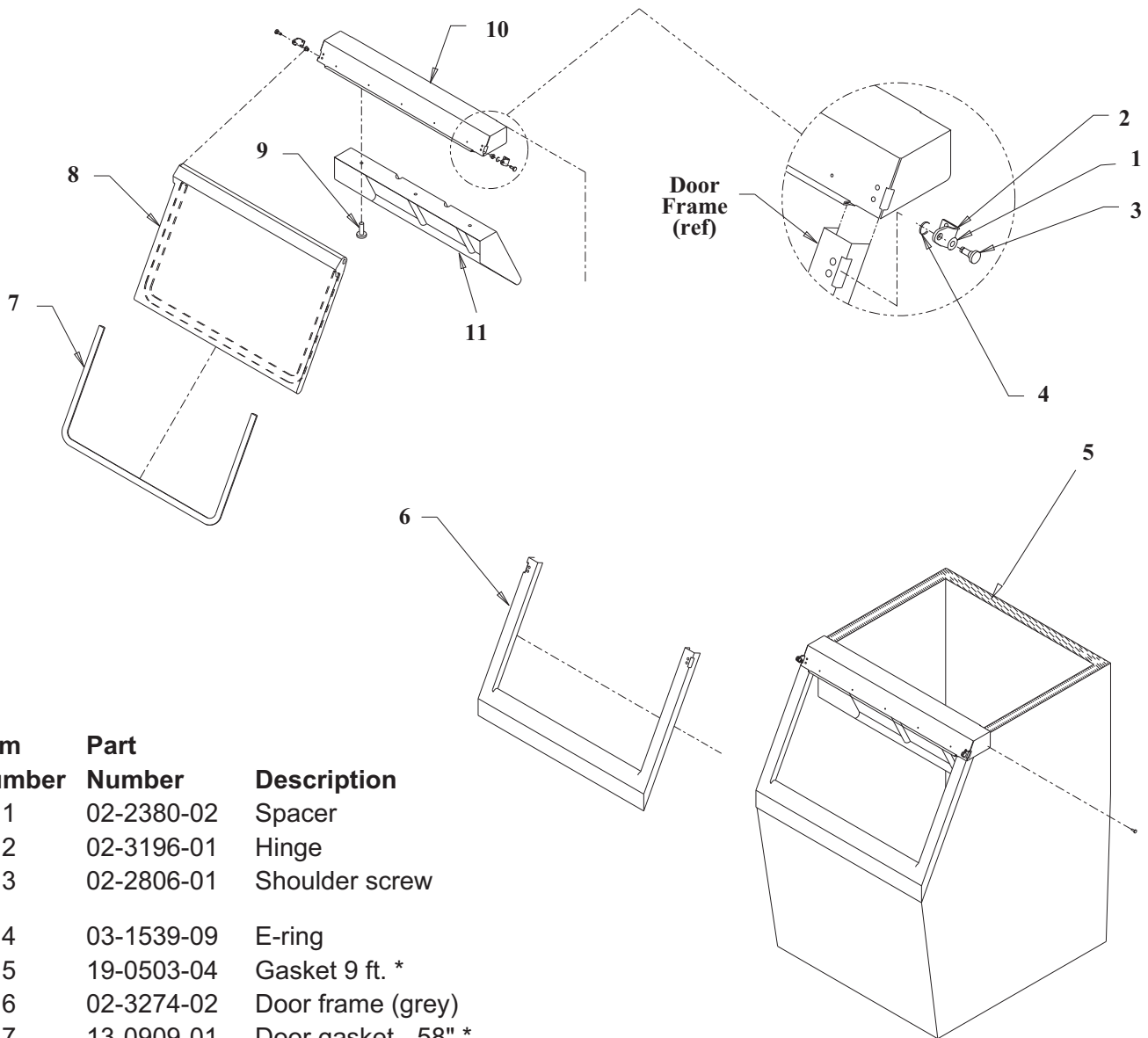
Model	CME656			CME806		
	208-230/60	208-230/60	230/50	208-230/60	208-230/60	230/50
Voltage/Hz	208-230/60	208-230/60	230/50	208-230/60	208-230/60	230/50
Phase	Single	Three	Single	Single	Three	Single
Compressor	18-8813-23*	18-8813-25	18-8813-27	18-8749-22*	18-8749-24	18-8749-27
PTCR - <b>D thru F series only</b>	18-8835-01	not used	18-8835-01	18-8835-01	not used	18-8835-01
Start Relay**	18-1903-33	not used	18-1903-29	18-1903-46	not used	18-1903-33
Start Capacitor**	18-1901-15	not used	18-1901-52	18-1901-48	not used	18-1901-48
Run Capacitor	18-1902-53	not used	18-1902-53	18-1902-55	not used	18-1902-55
Overload	internal	internal	internal	internal	internal	internal
Mounting Bolt	03-1405-20	03-1405-20	03-1405-20	03-1405-20	03-1405-20	03-1405-20
Sleeve	18-2200-27	18-2200-27	18-2200-27	18-2200-27	18-2200-27	18-2200-27
Washer	03-1407-07	03-1407-07	03-1407-07	03-1407-07	03-1407-07	03-1407-07
Grommet	18-2200-28	18-2200-28	18-2200-28	18-2200-28	18-2200-28	18-2200-28
Contactora	12-2469-01	12-2533-01	12-2469-01	12-2469-01	12-2533-01	12-2469-01
Transformer	A37217-001	A37217-001	A37217-001	A37217-001	A37217-001	A37217-001

\* Includes starting components. All compressors include a drier. \*\* **D thru F series uses PTCR**

-6B, C, D, E, F series	Transformer	Hi Voltage Harness	Fuse	Fuse Block	Relay	Relay Bracket
CME656 or CME806	12-2639-02	12-2678-21	12-2686-01	12-2687-01	12-2679-01	12-2680-01

CME256 or CME506 or CME656 or CME806 Service Parts

HTB555 Ice Storage Bin



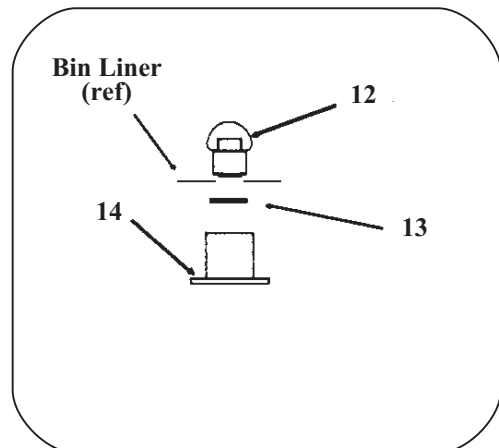
Item Number	Part Number	Description
1	02-2380-02	Spacer
2	02-3196-01	Hinge
3	02-2806-01	Shoulder screw
4	03-1539-09	E-ring
5	19-0503-04	Gasket 9 ft. *
6	02-3274-02	Door frame (grey)
7	13-0909-01	Door gasket - 58" *
8	A36481-022	Door, grey, includes #7.
9	03-0727-11	Thumb screw
10	A35637-001	Canopy
11	A35640-001	Baffle
12	02-2809-02	Drain top
13	13-0617-09	O-ring
14	02-3108-01	Drain bottom

Not shown

03-1404-07	Screw for drain bottom
05-0586-01	Drain elbow
02-0540-00	Scoop
KLP2E	Enamel leg kit

\* Order gasket by the foot.

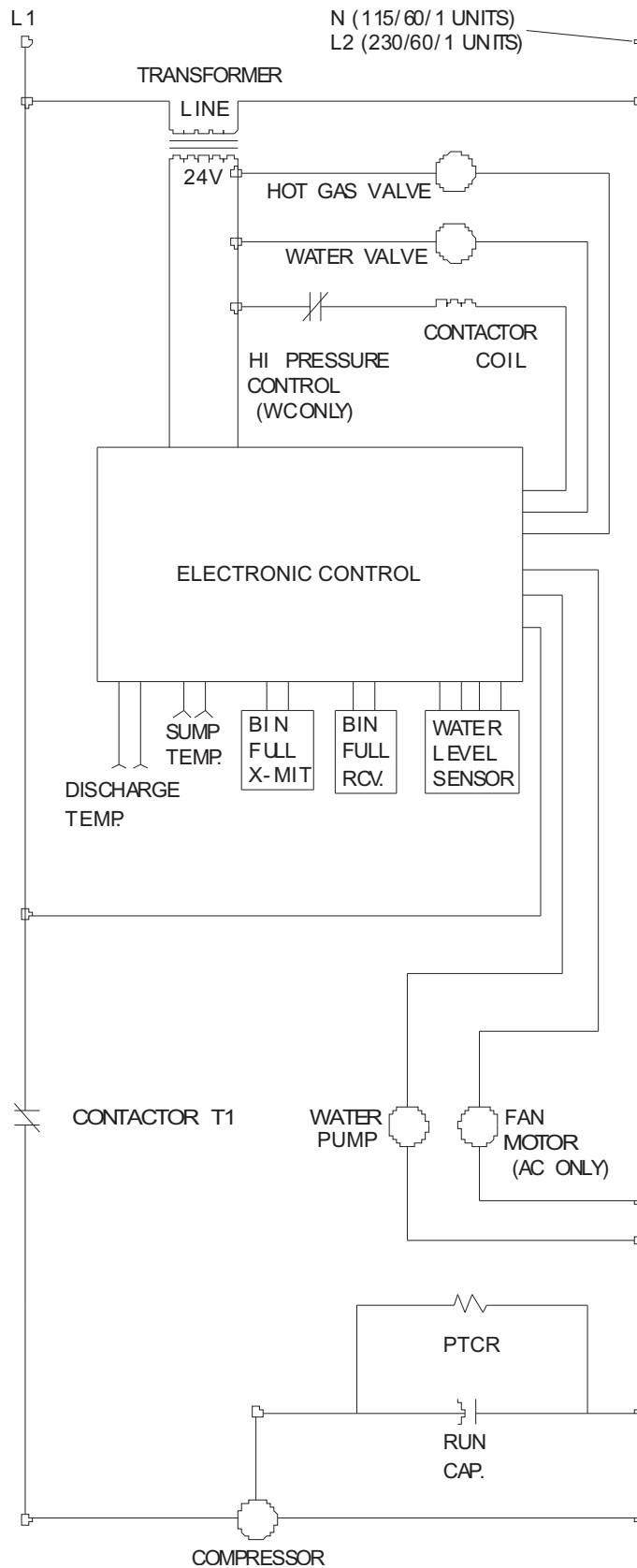
Optional: A35477-001 Scoop holder, not shown





CME256 or CME506 or CME656 or CME806 Service Parts

D thru H Series Single Phase 60 Hz Schematic Diagram



# CME256 or CME506 or CME656 or CME806 Service Parts

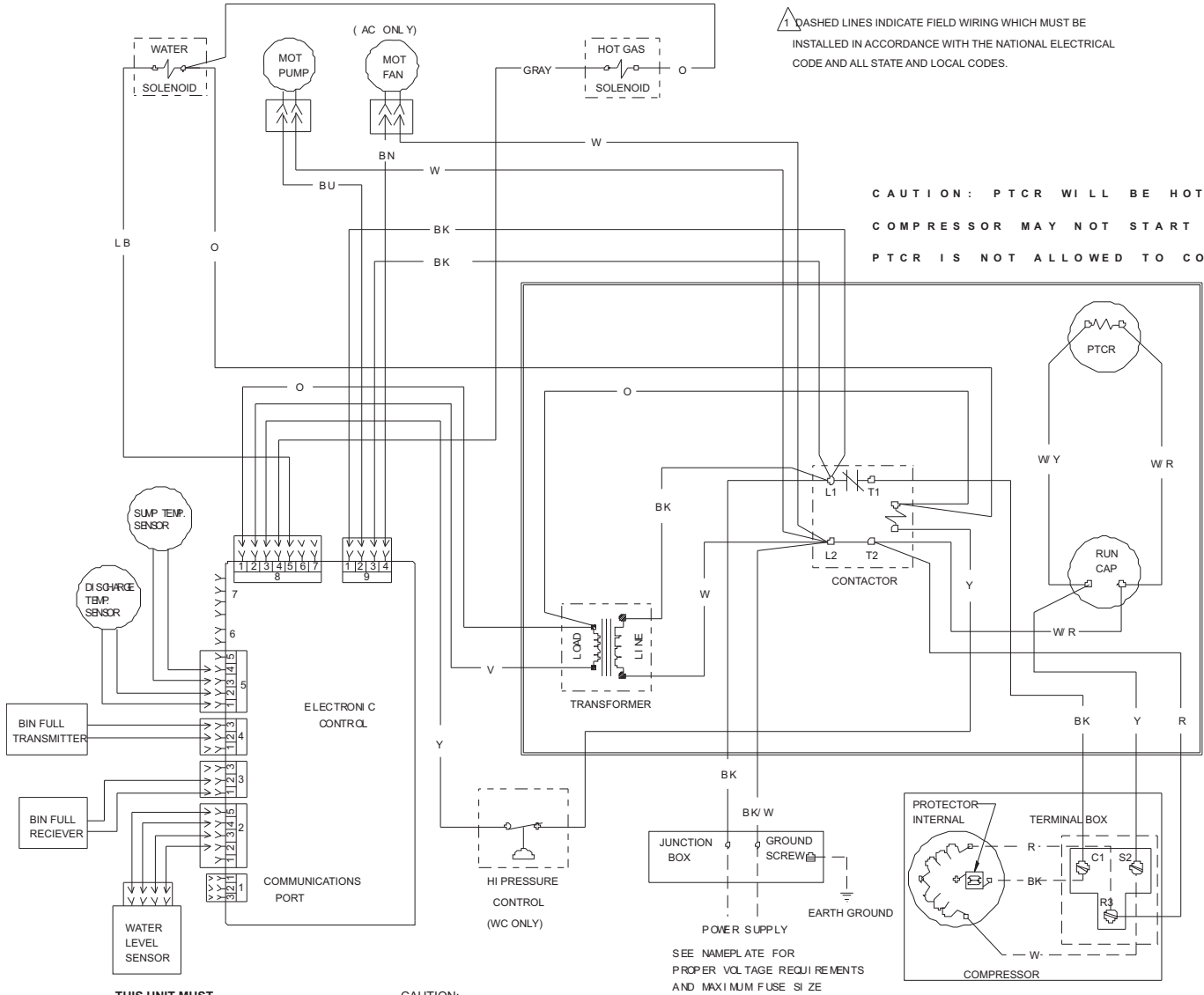
## D thru H Series CME656 or CME806 Single Phase Wiring Diagram

17-2751-01

**USE COPPER CONDUCTORS ONLY**

**1** DASHED LINES INDICATE FIELD WIRING WHICH MUST BE INSTALLED IN ACCORDANCE WITH THE NATIONAL ELECTRICAL CODE AND ALL STATE AND LOCAL CODES.

**CAUTION: PTCR WILL BE HOT. COMPRESSOR MAY NOT START IF PTCR IS NOT ALLOWED TO COOL.**



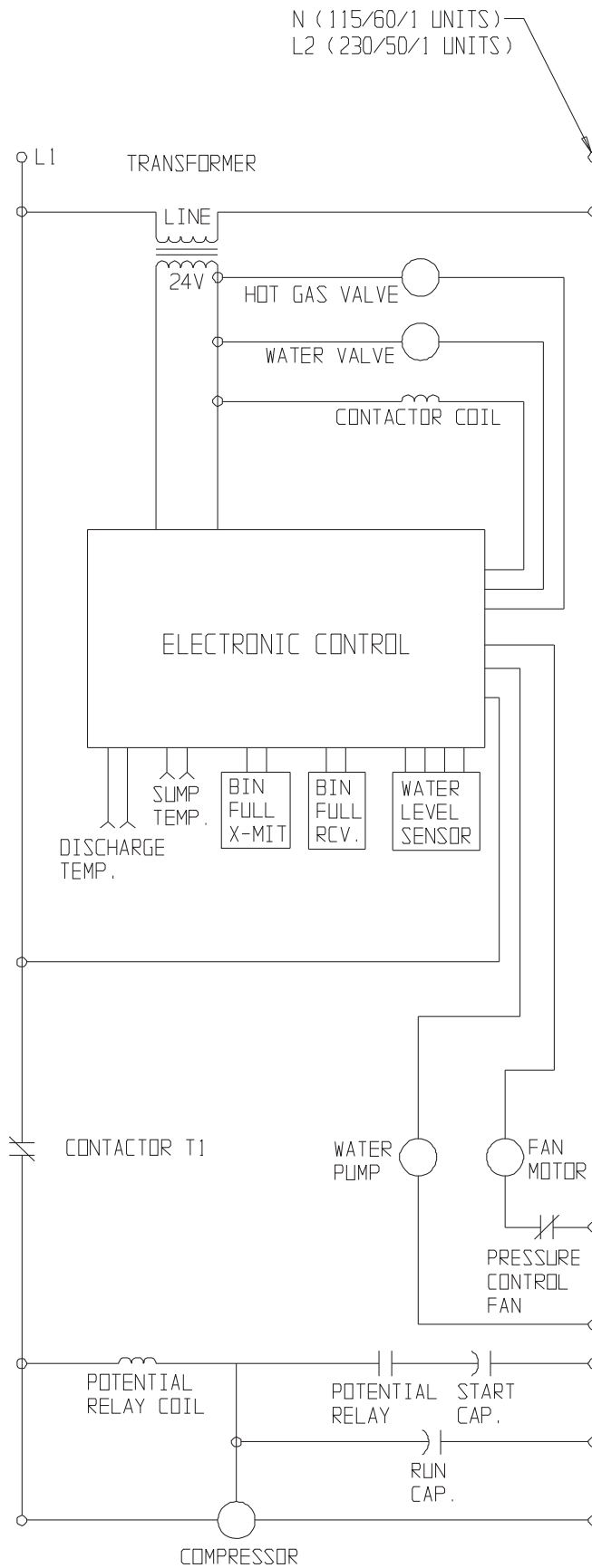
**THIS UNIT MUST BE GROUNDED.**

**CAUTION:**  
 MORE THAN ONE DISCONNECT MEANS MAY BE REQUIRED TO DISCONNECT ALL POWER TO THIS UNIT.

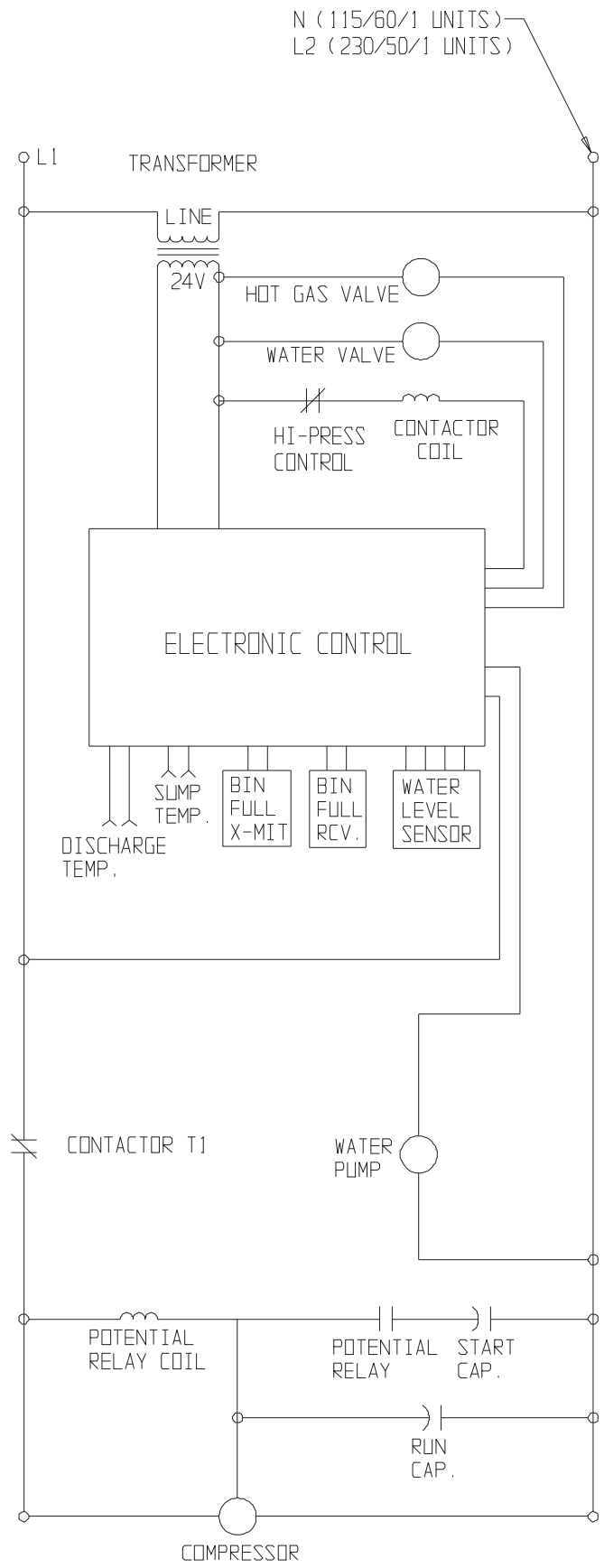
SEE NAMEPLATE FOR PROPER VOLTAGE REQUIREMENTS AND MAXIMUM FUSE SIZE

CME256 or CME506 or CME656 or CME806 Service Parts

A - C Series Single Phase Air Cooled Schematic Diagram



A - C Series Water Cooled Single Phase Schematic Diagram



**CME256 or CME506 or CME656 or CME806 Service Parts**

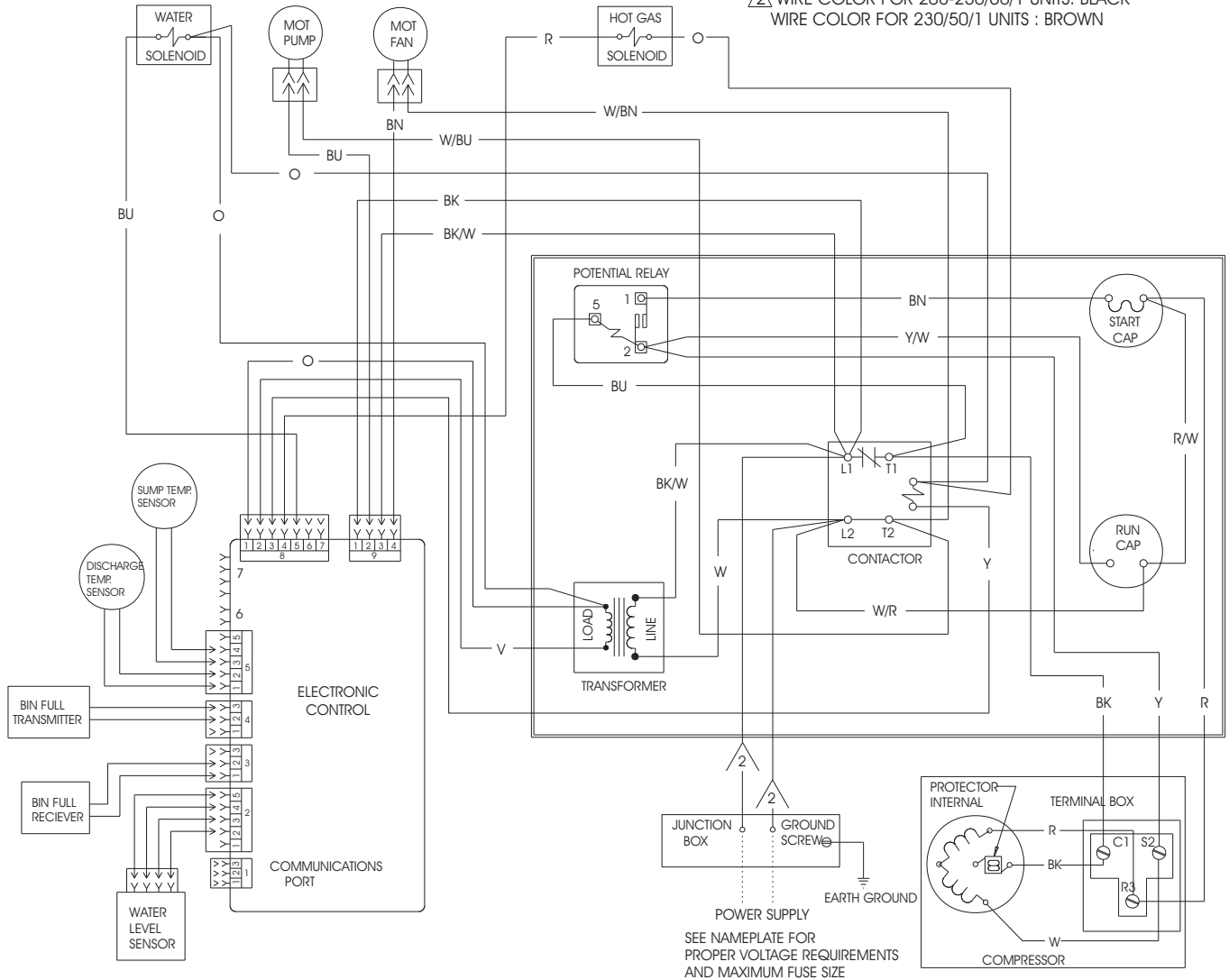
**A - C Series CME656 or CME806 Air Cooled Single Phase Wiring Diagram**

A36659-001

**USE COPPER CONDUCTORS ONLY**

⚠ DASHED LINES INDICATE FIELD WIRING WHICH MUST BE INSTALLED IN ACCORDANCE WITH THE NATIONAL ELECTRICAL CODE AND ALL STATE AND LOCAL CODES.

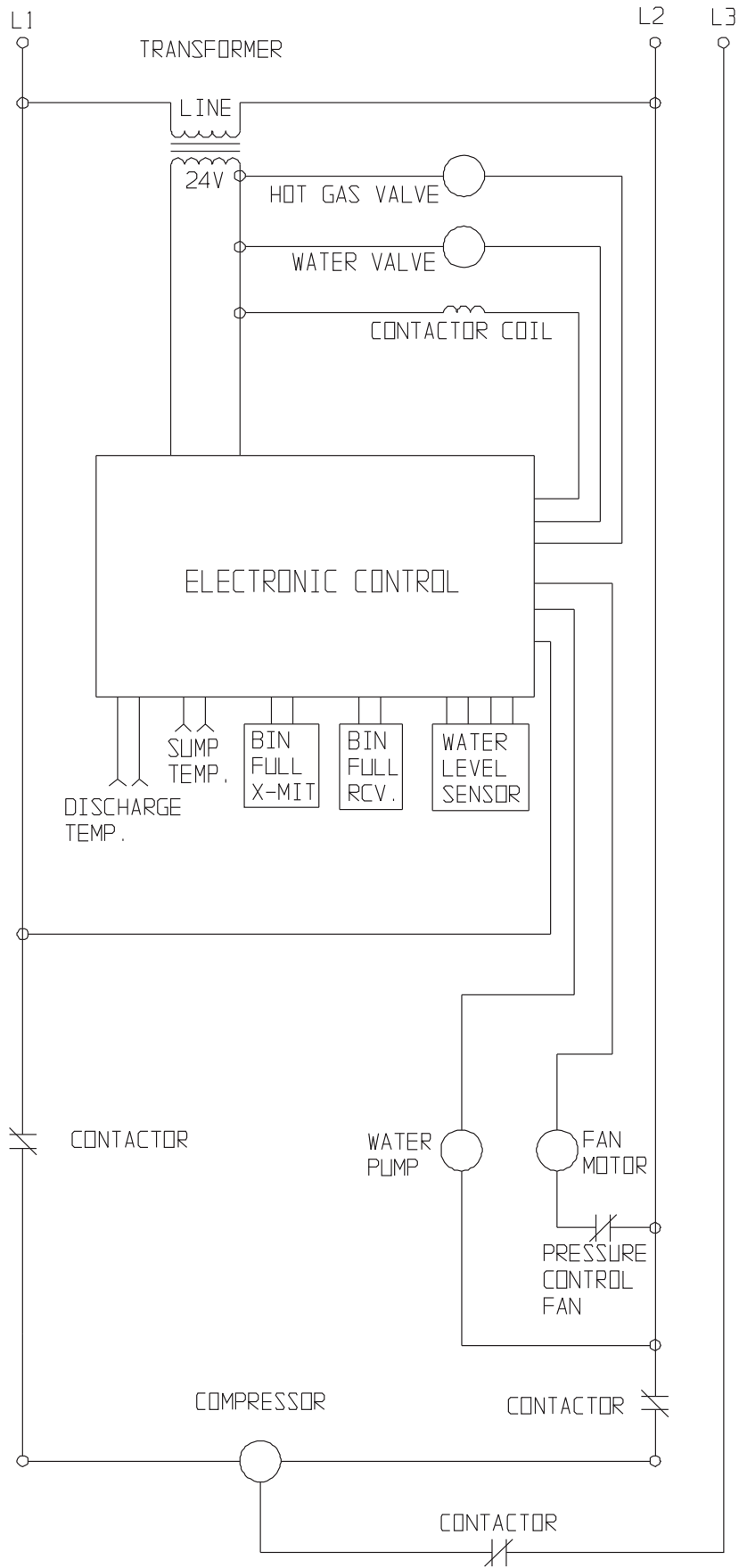
⚠ WIRE COLOR FOR 208-230/60/1 UNITS: BLACK  
WIRE COLOR FOR 230/50/1 UNITS : BROWN



**THIS UNIT MUST BE GROUNDED.**

**CAUTION:**  
MORE THAN ONE DISCONNECT MEANS MAY BE REQUIRED TO DISCONNECT ALL POWER TO THIS UNIT.

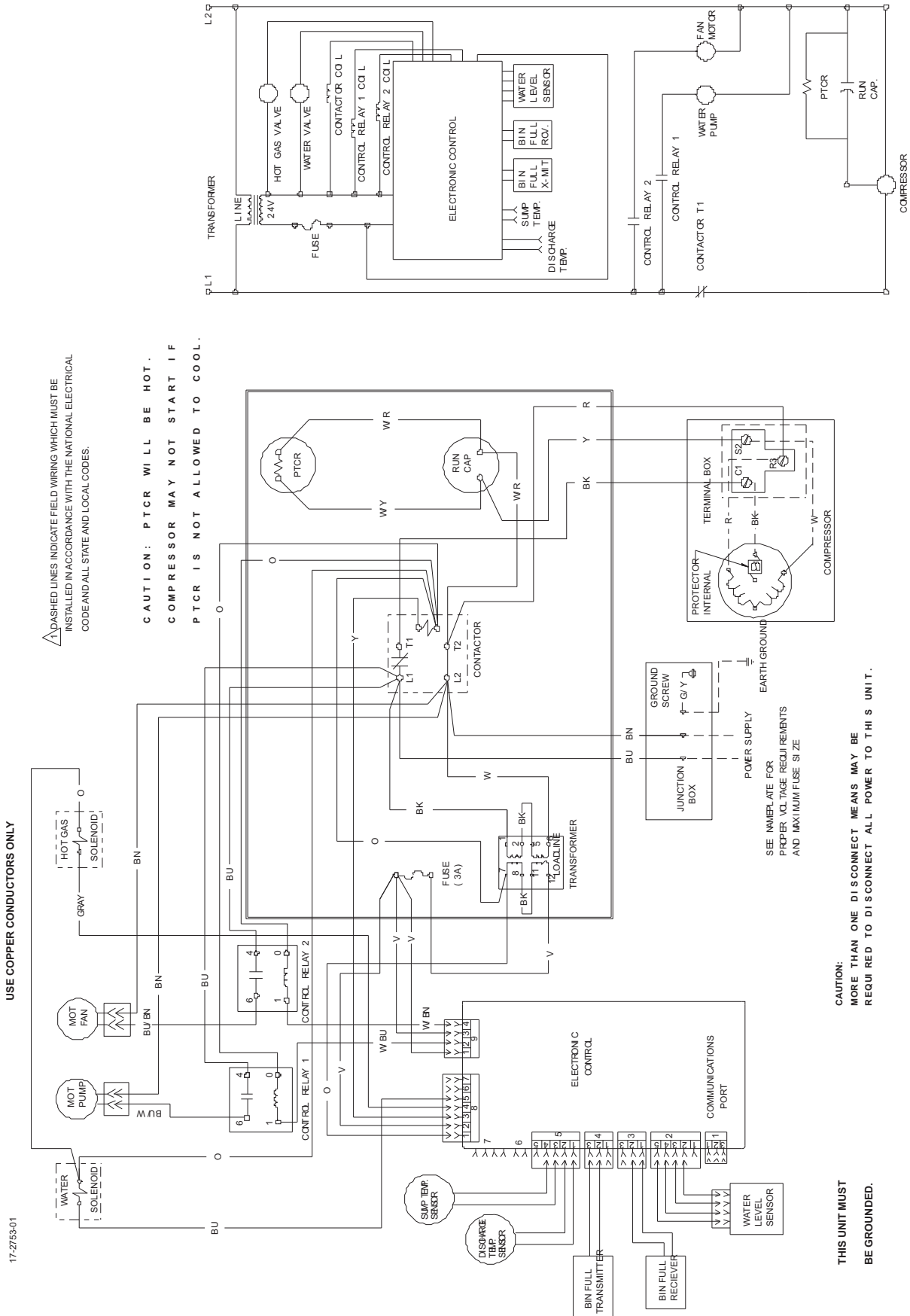
A - H Series Three Phase Air Cooled Schematic Diagram





CME256 or CME506 or CME656 or CME806 Service Parts

D thru H Series CME656 or CME806 50 Hz Air Cooled Diagram



17-2753-01

THIS UNIT MUST BE GROUNDED.

CAUTION: MORE THAN ONE DISCONNECT MEANS MAY BE REQUIRED TO DISCONNECT ALL POWER TO THIS UNIT.

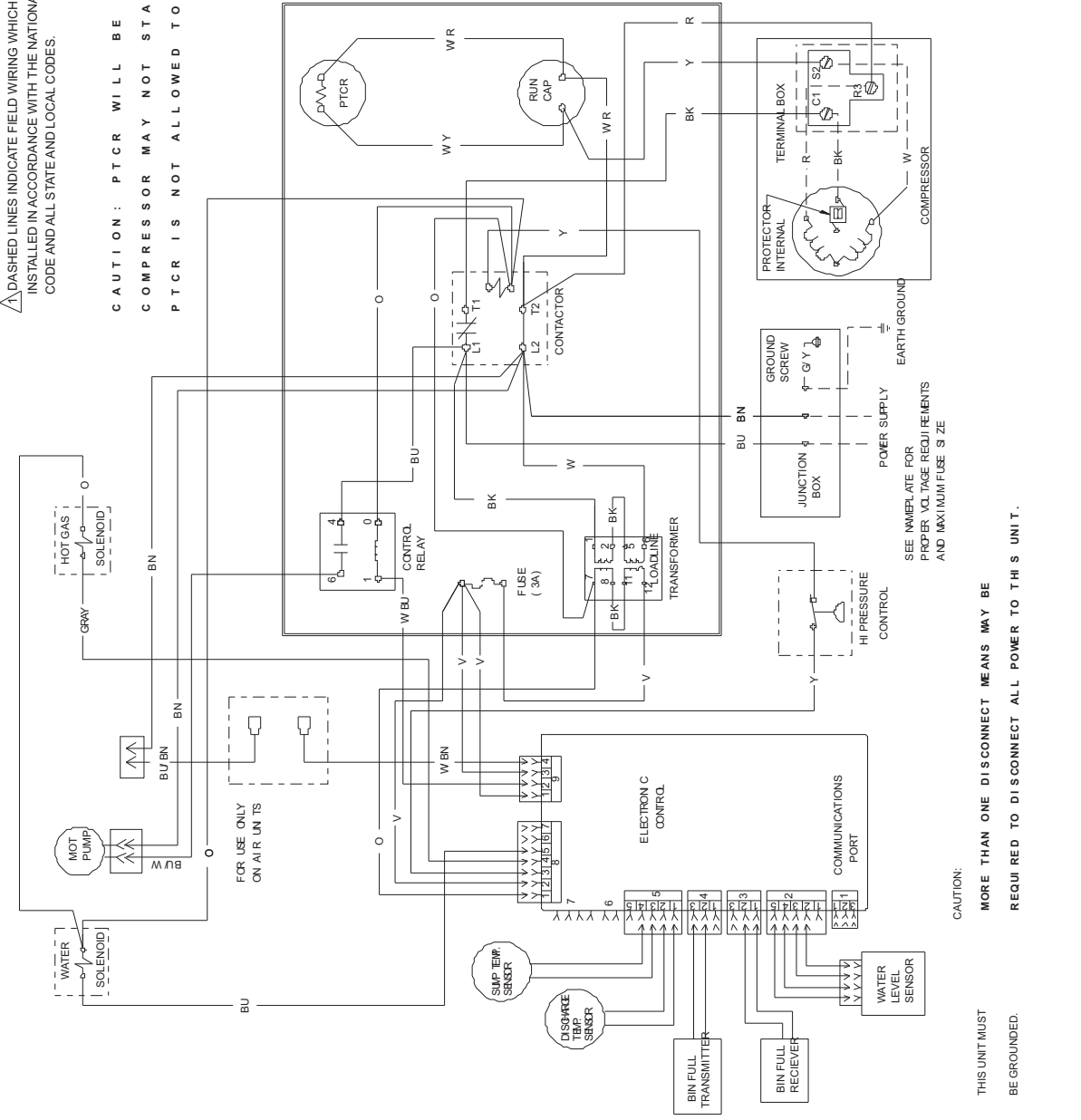
D thru H Series CME656 or CME806 50 Hz Water Cooled Diagram

17-2754-01

USE COPPER CONDUCTORS ONLY

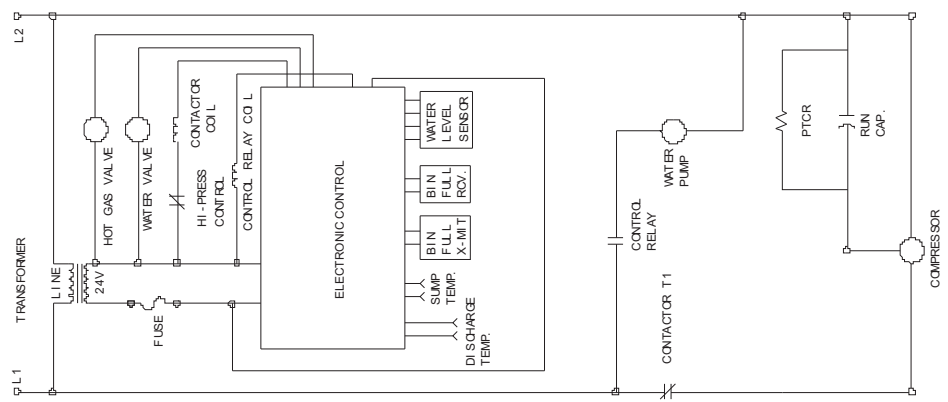
▲ DASHED LINES INDICATE FIELD WIRING WHICH MUST BE INSTALLED IN ACCORDANCE WITH THE NATIONAL ELECTRICAL CODE AND ALL STATE AND LOCAL CODES.

CAUTION: PTCR WILL BE HOT.  
COMPRESSOR MAY NOT START IF PTCR IS NOT ALLOWED TO COOL.



THIS UNIT MUST BE GROUNDED.  
CAUTION: MORE THAN ONE DISCONNECT MEANS MAY BE REQUIRED TO DISCONNECT ALL POWER TO THIS UNIT.

SEE NAMEPLATE FOR PROPER VOLTAGE REQUIREMENTS AND MAXIMUM FUSE SIZE

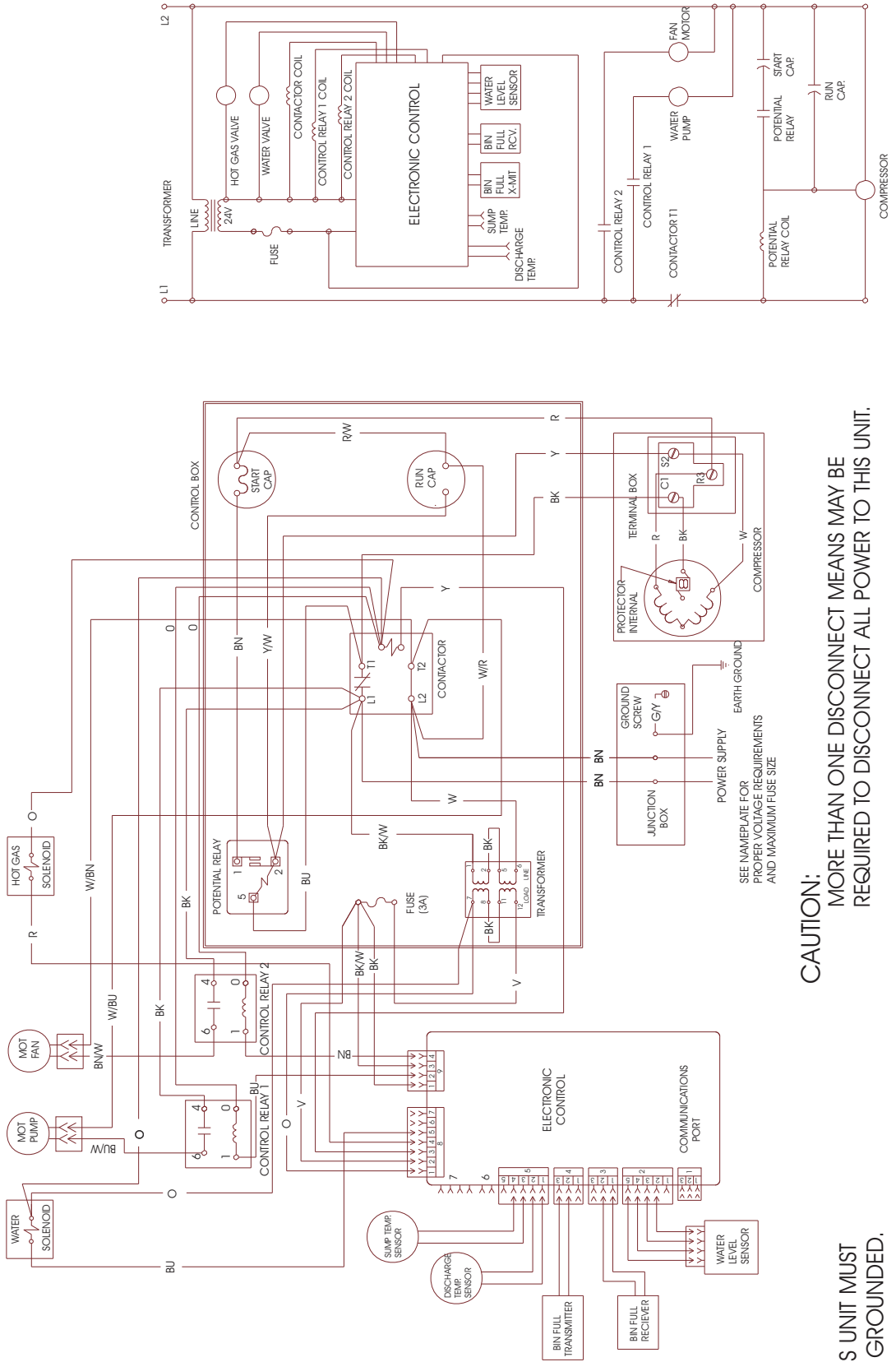


B or C Series, 50 Hz Air Cooled CME656 and CME806 Diagram

17-2485-01

USE COPPER CONDUCTORS ONLY

DASHED LINES INDICATE FIELD WIRING WHICH MUST BE INSTALLED IN ACCORDANCE WITH THE NATIONAL ELECTRICAL CODE AND ALL STATE AND LOCAL CODES.



CAUTION: MORE THAN ONE DISCONNECT MEANS MAY BE REQUIRED TO DISCONNECT ALL POWER TO THIS UNIT.

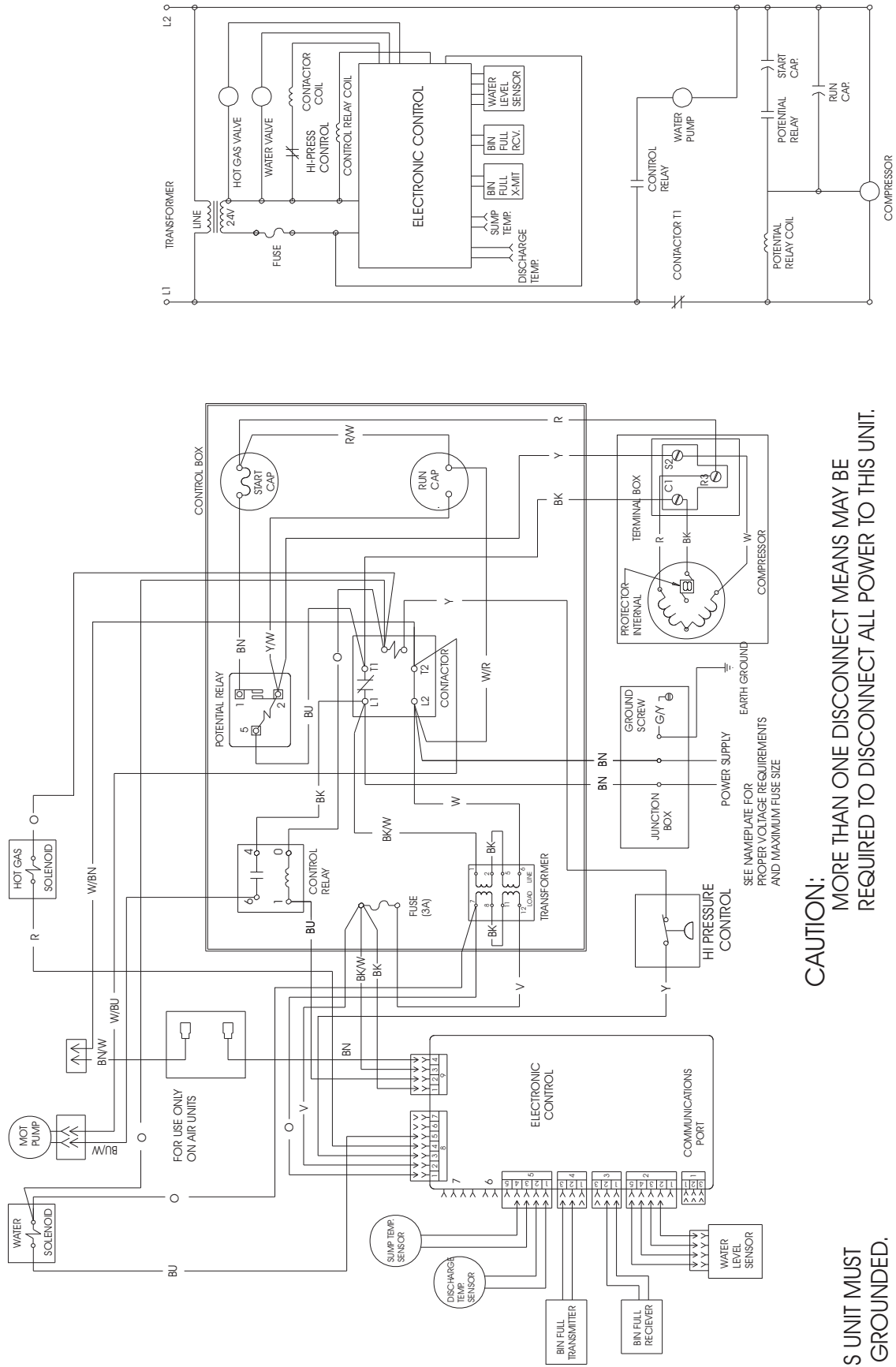
THIS UNIT MUST BE GROUNDED.

B or C Series, 50 Hz Water Cooled CME656 and CME806 Diagram

▲ DASHED LINES INDICATE FIELD WIRING WHICH MUST BE INSTALLED IN ACCORDANCE WITH THE NATIONAL ELECTRICAL CODE AND ALL STATE AND LOCAL CODES.

USE COPPER CONDUCTORS ONLY

17-2593-01



**CAUTION:**  
MORE THAN ONE DISCONNECT MEANS MAY BE REQUIRED TO DISCONNECT ALL POWER TO THIS UNIT.

THIS UNIT MUST BE GROUNDED.

