

**M B M**

**SPARE PARTS CATALOGUE  
ERSATZTEILKATALOG  
CATALOGUE PIECES DETACHEES  
CATALOGO PARTI RICAMBIO  
CATALOGO DE PIEZAS DE RECAMBIO  
CATALOGO PEÇAS DE REPOSICAO**

**LK600**

**25-02-2009**

# LK600

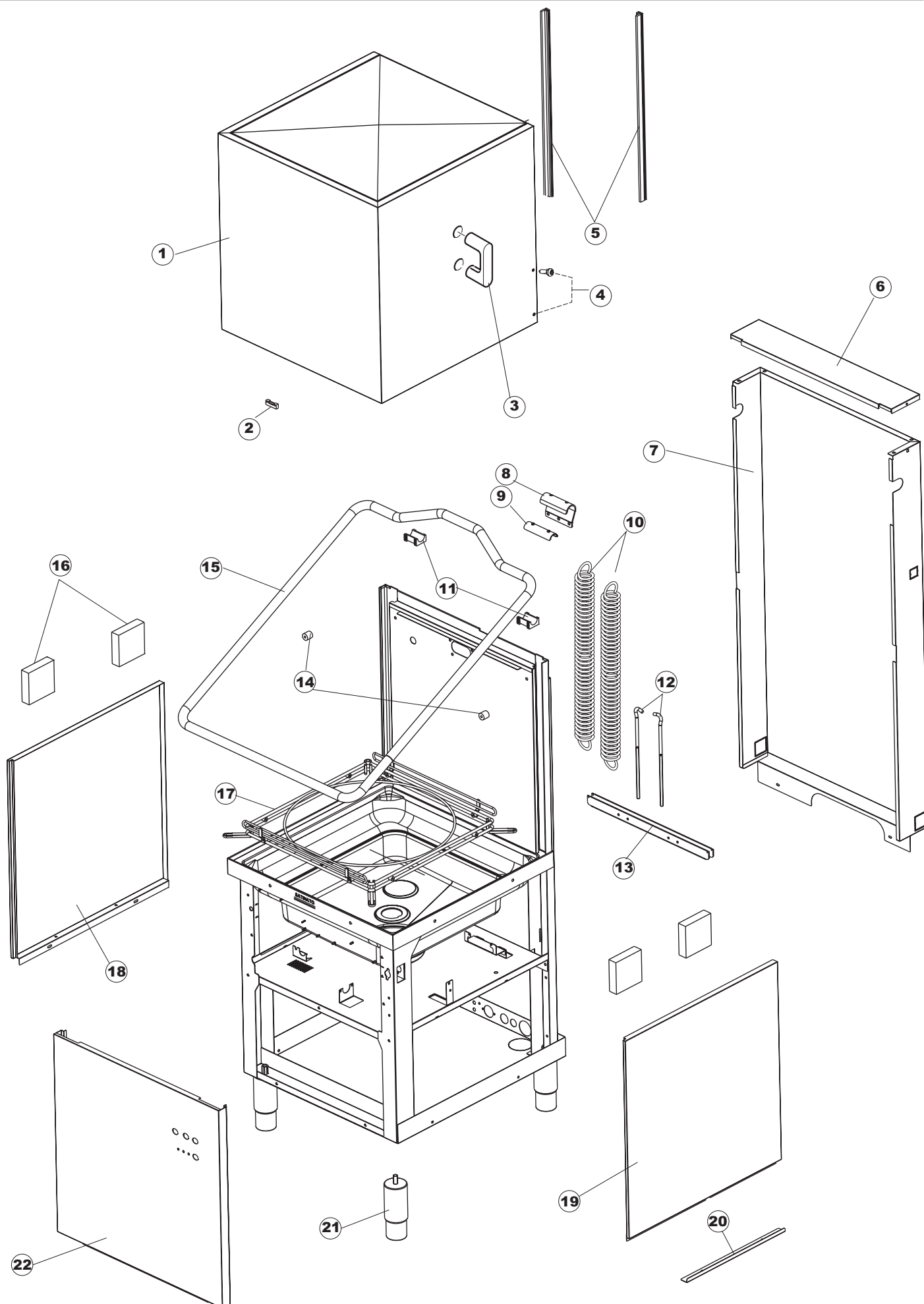
Tav.1: Carrozzeria  
Tav.2: Impianto elettrico  
Tav.3: Componenti in vasca  
Tav.4: Circuito di lavaggio  
Tav.5: Circuito di risciacquo  
Tav.6: Lance di lavaggio  
Tav.7: Pompa di lavaggio  
Tav.8: Pompa di scarico

Tav.1: Machine body  
Tav.2: Electrical components  
Tav.3: Components in the tank  
Tav.4: Washing circuit  
Tav.5: Rinsing circuit  
Tav.6: Washing arms  
Tav.7: Washing pump  
Tav.8: Draining pump

Tab.1: Carrocería  
Tab.2: Instalación eléctrica  
Tab.3: Componentes en cuba  
Tab.4: Circuito de lavado  
Tab.5: Circuito d'enjuague  
Tab.6: Brazos de lavado  
Tab.7: Bomba de lavado  
Tab.8: Bomba de descarga

Tab.1: Carrosserie  
Tab.2: Installation électrique  
Tab.3: Composants de cuve  
Tab.4: Circuit de lavage  
Tab.5: Circuit de rinçage  
Tab.6: Bras de lavage  
Tab.7: Pompe de lavage  
Tab.8: Pompe de vidange

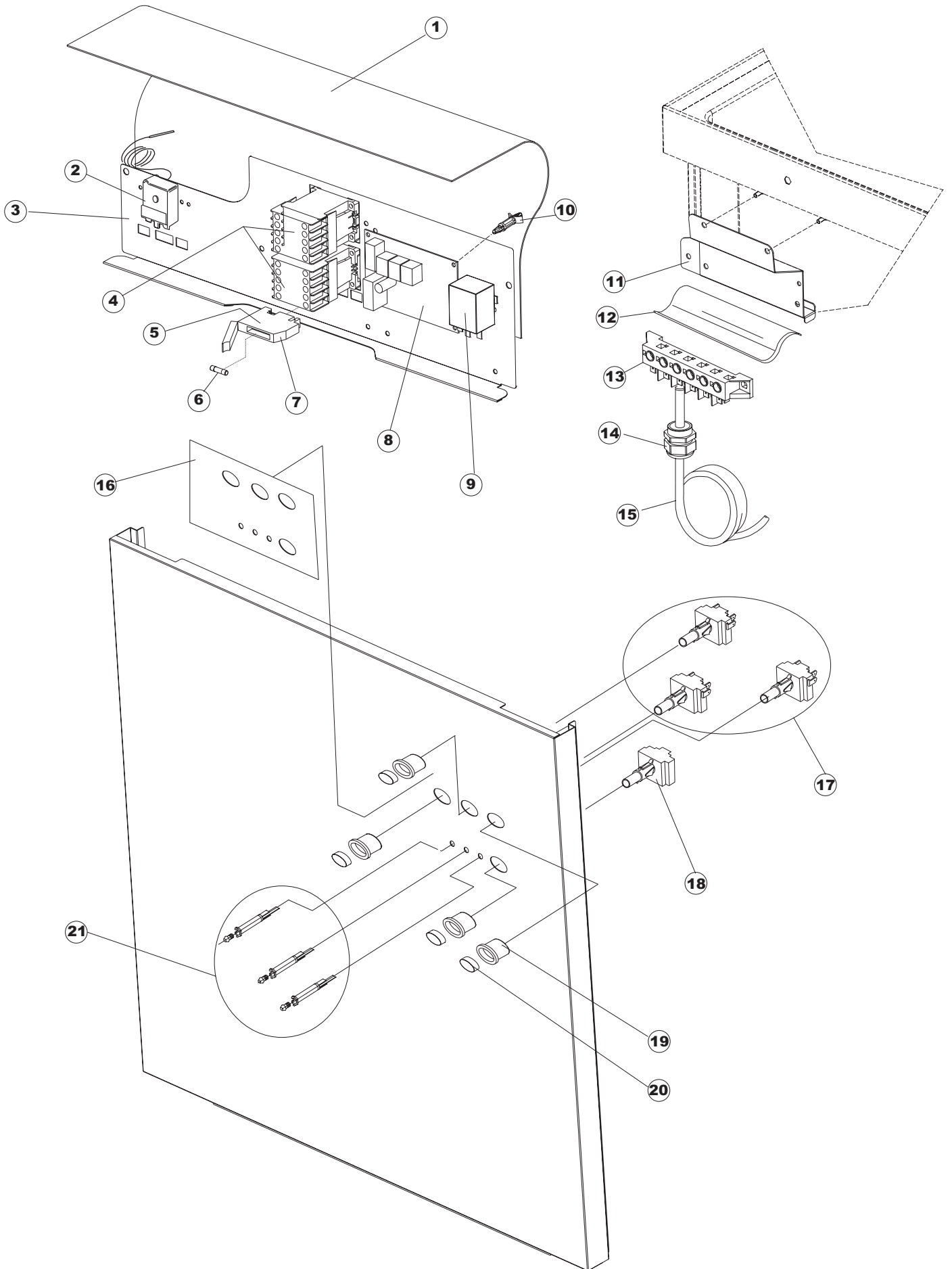
Taf.1: Verkleidung  
Taf.2: Elektrische Anlage  
Taf.3: Bauteile im Waschtank  
Taf.4: Spuelschaltung  
Taf.5: Nachspuelschaltung  
Taf.6: Wascharmee  
Taf.7: Spuelpumpe  
Taf.8: Laugenpumpe



# Pagina 1

1	80141	GRUPPO CAPPА SQUADRATA COMPLETA GRUPPO CAPPА SQUADRATA	
2	927088	MAGNETE PER MICROINTERRUTTORE MAGNET FOR MICROSWITCH MAGNET FÜR MIKROSCHALTER AIMANT POUR MINIRUPTEUR	
3	926243	PONTICELLO GRIGIO MANIGLIA TIPO CLG. CONVEX TYPE HANDLE, GREY TYPE CLG. STEG, GRIFF GRAU TYP CLG. ARCADE GRIS POIGNEE TYPE CLG.	
4	80998	VITE PLASTICA M4X6 (DIN933) GOLD SCREW, PLASTIC M4X6 (DIN933) GOLD SCHRAUBE, KUNST. M4X6 (DIN933) GOLD VIS PLASTIQUE M4X6 (DIN933) GOLD	
5	80068	GUIDA CAPOT GUIDE, CAPOT FÜHRUNG, DURCHSCHUBSPÜLAUTOM. GUIDE CAPOT	
6	80638	TUBO PASSACAVI PANNELLO POSTERIORE	
7	80162	PANNELLO RETRO PANEL, REAR PLATTE, HINTEN PANNELLO ARRIERE	
8	80275	SQUADRA BRACKET WINKEL EQUERRE	
9	80277	SQUADRA BRACKET WINKEL EQUERRE	
10	926007	MOLLA TRAZ.CAPOTTA f5 100/120/140 SPRING, HOOD TRAZ. f5 100/120/140 SPANNFEDER HAUBE f5 100/120/140 RESSORT TRACT.CAPOT f5 100/120/140	
11	80190	SQUADRA SUPP.MANIGLIONE BRACKET, FOR HANDLE SUPP. WINKEL, HALTER FÜR GRIFF EQUERRE SUPP.POIGNEE	
12	926009	GANCIO REGOLAZIONE MOLLA 100/120/140 HOOK, ADJUST.SPRING 100/120/140 HAKEN, FEDERREGUL. 100/120/140 CROCHET REGLAGE RESSORT 100/120/140	
13	80023	SQUADRA BRACKET WINKEL EQUERRE	
14	80105	PARACOLPI CAPOT SHOCK-ABSORBER FOR CAPOT. PUFFER FÜR DURCHSCHUBSPÜLAUTOM. PARE-CHOCS CAPOT	
15	80027	MANIGLIONE RIVER HANDLE, RIVER GRIFF, RIVER POIGNEE RIVER	
16	41042	SPESSORE ADESIVO PANNELLI LATERALI LP STICKY DOOR SIDE THICKNESS KLEBENPER SCHLEGER TEMPON ADHÉSIF	
17	80240	TELAIO PORTACESTO CAPOT D1000 FRAME, RACK-HOLDER CAPOT D1000 RAHMEN, KORBHALTER DURCHSCHUBSPÜLAUTOM. D1000 CHASSIS PORTE-CASIER CAPOT D1000	

18	80071	PANNELLO LATERALE SX PG FINIT PANEL, SIDE LH PG PLATTE, SEITL. LINKS PG MASCHINENF. PANNEAU LATERAL GAUCHE PG FINI	
19	80072	PANNELLO LATERALE DX PG FINITO PANEL, SIDE RH PG PLATTE, SEITL. RECHTS PG MASCH. PANNEAU LATERAL DROITE PG FINI	
20	80078	SQ. FISSAGGIO SOTTOPIANI GOLD PG FINITO BRACK., UNDER-SHELVES FIX. GOLD PG FINISHED BEF.WINKEL, UNTERABLAGEFL.GOLD PG MASCHINENFERTIG EQ. FIXATION SOUS-ETAGERES GOLD PG FINI	
21	79028	PIEDE IN ACCIAIO INOSSIDABILE 1" 3/4 (REGOLABILE 160-225M STAINLESS STEEL ADJ.FEET 1" 3/4 FUSS AUS NICHT ROSTENDEM STAHL 1" 3/4 VERRIN EN ACIER INOXYDABLE 1" 3/4	
22	69460	PANNELLO FRONTALE FRONT PANEL FRONTPANEEL PANNEAU AVANT	

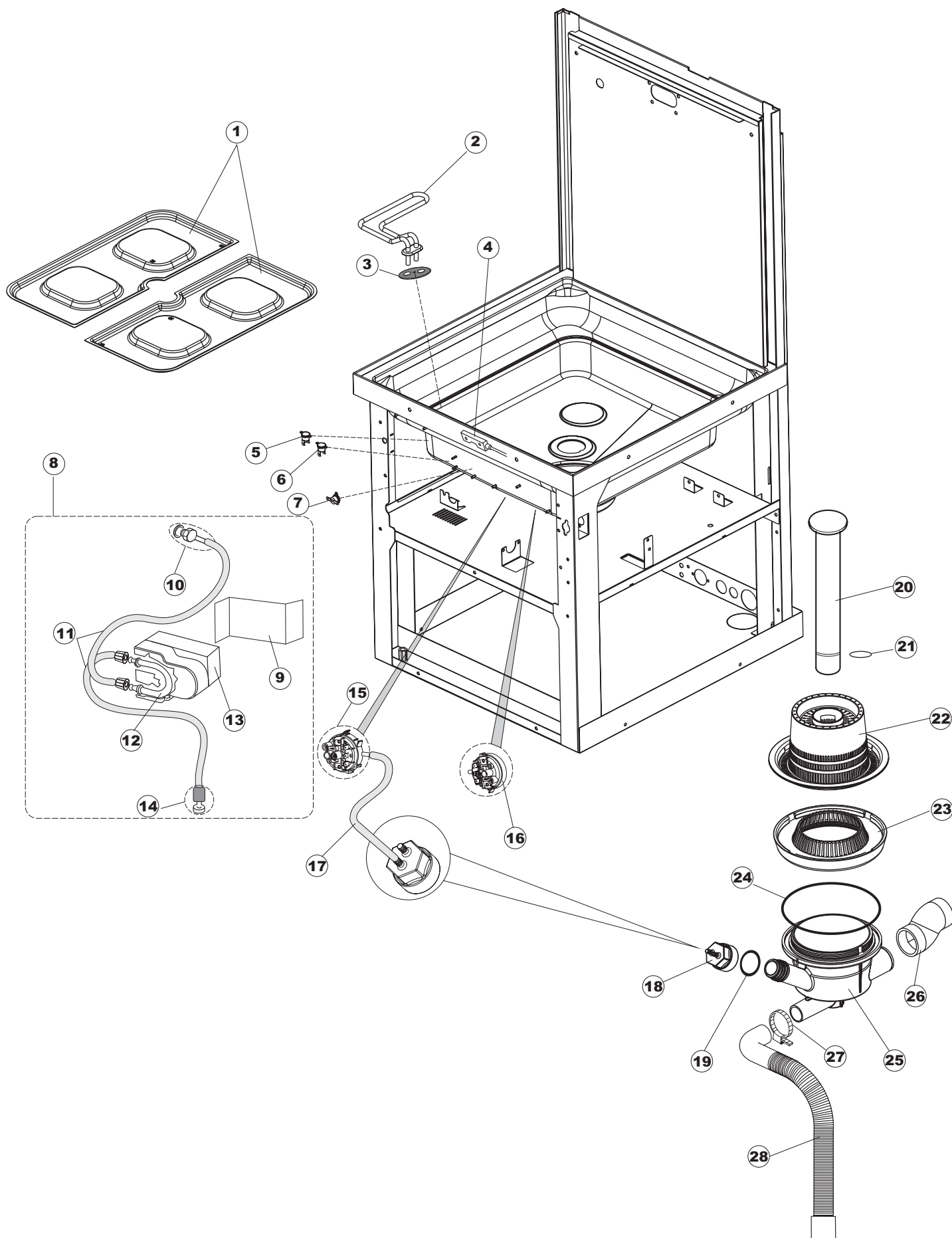


## Pagina 2

1	214086	PROTEZ.EL.TELA TRASP.463/503 EL.PROTECTION,TRASP.CANVAS 463/503 EL.SCHUTZ,DURCHS.GEWEBE 463/503 PROTECT.EL.TOILE TRANSP.463/503	
2	236043	TERMOSTATO BOILER TR711 Tf-83ø THERMOSTAT, BOILER TR711 Tf-83ø THERMOSTAT, BOILER TR711 Tf-83ø THERMOSTAT CHAUDIERE TR711 Tf-83ø	
3	69041	PANNELLO IMPIANTO PANEL PANEEL PANNEAU	
4	80350	CONTACT 230-50/60HZ 3RT1016-1AP01 CONTACT, 230-50/60HZ 3RT1016-1AP01 KONTAKT, 230-50/60HZ 3RT1016-1AP01 CONTACT 230-50/60HZ 3RT1016-1AP01	
5	H.228048	* CHIUSURA PORTA-FUSIBILE * CLAMPING FOR FUSE-HOLDER * SICHERUNGSTRAGER-VERSCHLUSS * COUVERTURE PORTE-FUSIBLE	
6	228010	FUSIBILE 5X20 4A FAST FUZE SICHERUNG FUSIBLE	
7	H.228047	* PORTA-FUSIBILE * FUSE-HOLDER *SICHERUNGSTRAGER * PORTE-FUSIBLE	
8	215029	SCHEDA IGEA CONTROLLO ELT.LA50 IBRIDA MAIN BOARD KARTE CARTE ELECTRONIQUE	
9	DER111	RELE 30A 230AC 653182300300 RELAY 30A 230AC 653182300300 RELAIS 30A 230AC 653182300300 RELAIS 30A 230AC 653182300300	
10	CWP2	PIEDINI SUPPORTO SCHEDA ELET.(ART.DRA6A) FEET, ELECTR.CARD SUPPORT(ART.DRA6A) STÜTZFÜSSE FÜR PLATINE (ART.DRA6A) PIEDS SUPPORT FICHE ELECTR.(ART.DRA6A)	4x
11	69063	SUPPORTO MORSETTIERA	
12	214088	PROTEZ.ELETTR.TRASP.CL.3 EL.PROTECTION,TRANSP.CL.3 EL.SCHUTZ,TRANSP.KL.3 PROTECT.ELECTR.TRANSP.CL.3	
13	220011	* MORSETTIERA 5.POLI + TERRA FV.122 * TERMINAL BOARD, 5-POLES + EARTH FV.122 * KLEMMENBRETT, 5-POLIG + ERDUNG FV.122 * PLAQUE A BORNE 5POLES + TERRE FV.122	
14	929103	PRESSACAVO PG16 PASSO (BER 4716) CABLE GLAND PG16 PITCH (BER 4716) KABELSCHELLE PG16 STEIGUNG (BER 4716) SERRE CABLE PG16 PAS (BER 4716)	
15	80997	CAVO ALIMENTAZIONE	
16	69930	POLIESTERE POLYESTER POLYESTER POLYESTERE	
17	208010	DEVIATORE DOPPIO - 35/40/50 SWITCH, DOUBLE - 35/40/50 ABLENKER, DOPPELT - 35/40/50 COMMUTATEUR DOUBLE - 35/40/50	

18	226102	STRUTTURA FISSA CM X TASTO ELLITTICO FIX FRAME CM FOR ELLIPTIC.KEY FESTES GESTELL CM FÜR ELLIP.TASTE STRUCTURE FIXE CM POUR TOUCHE ELLIPTIQUE	
19	226124	CORPO PULSANTE NERO SERIE D25 SWITCH HOLDER DRUCKKNOPF KOMPLETT POUSSOIR COMPLET	
20	227060	TASTO SATINATO ARGENTO SERIE D25 KEY, SILVER GLAZED WITH PIL.LIGHT SER.D25 TASTE SILBER-SATINIERT REIHE D25 TOUCHE SATINE ARGENT SERIE D25	
21	216029	LAMPADA SPIA TB/06/SQ3 ARANCIO WARNING LAMP, TB/06/SQ3 ORANGE KONTROLL-LAMPE, TB/06/SQ3 ORANGE LAMPE-TEMOIN TB/06/SQ3 ORANGE	

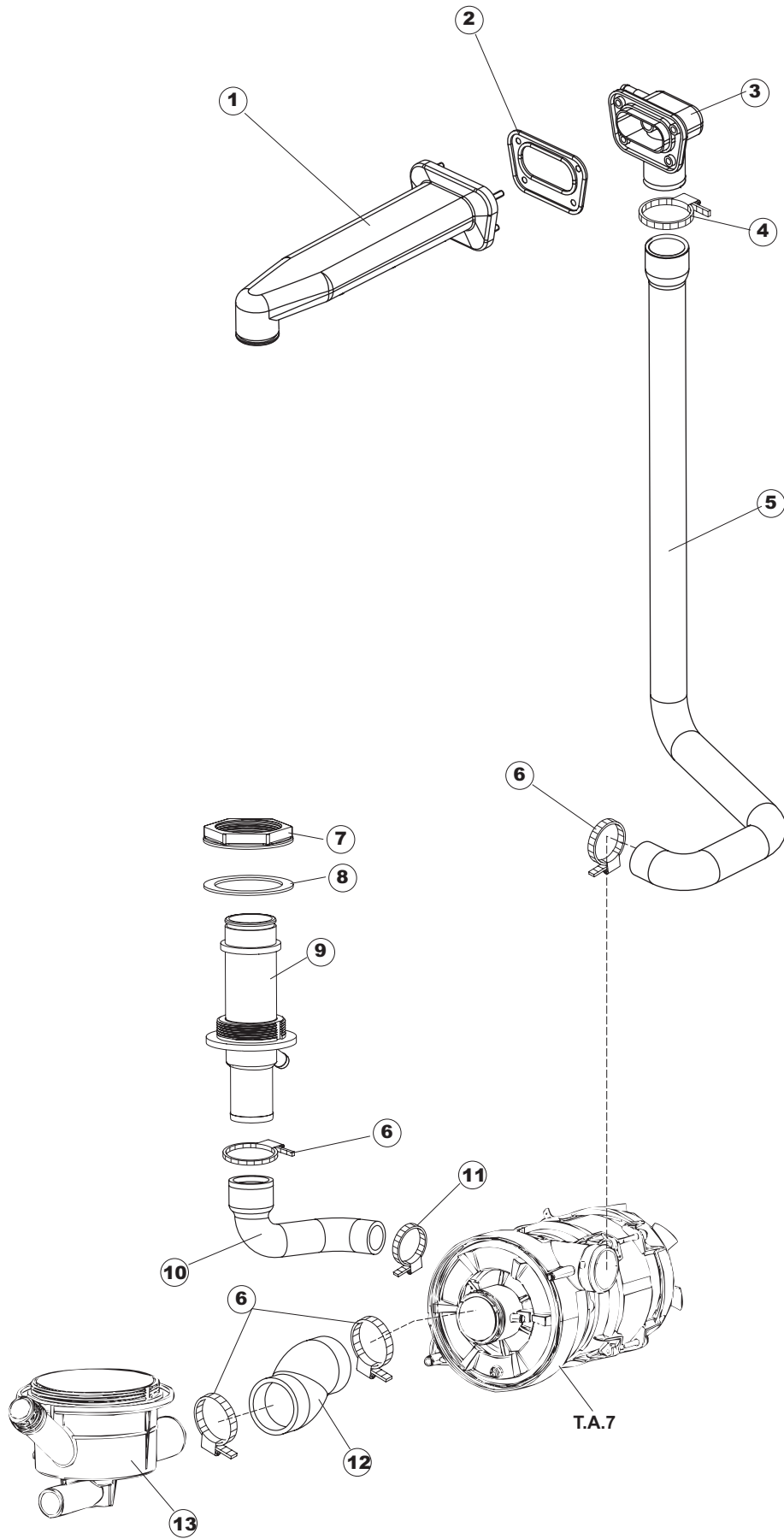




# Pagina 3

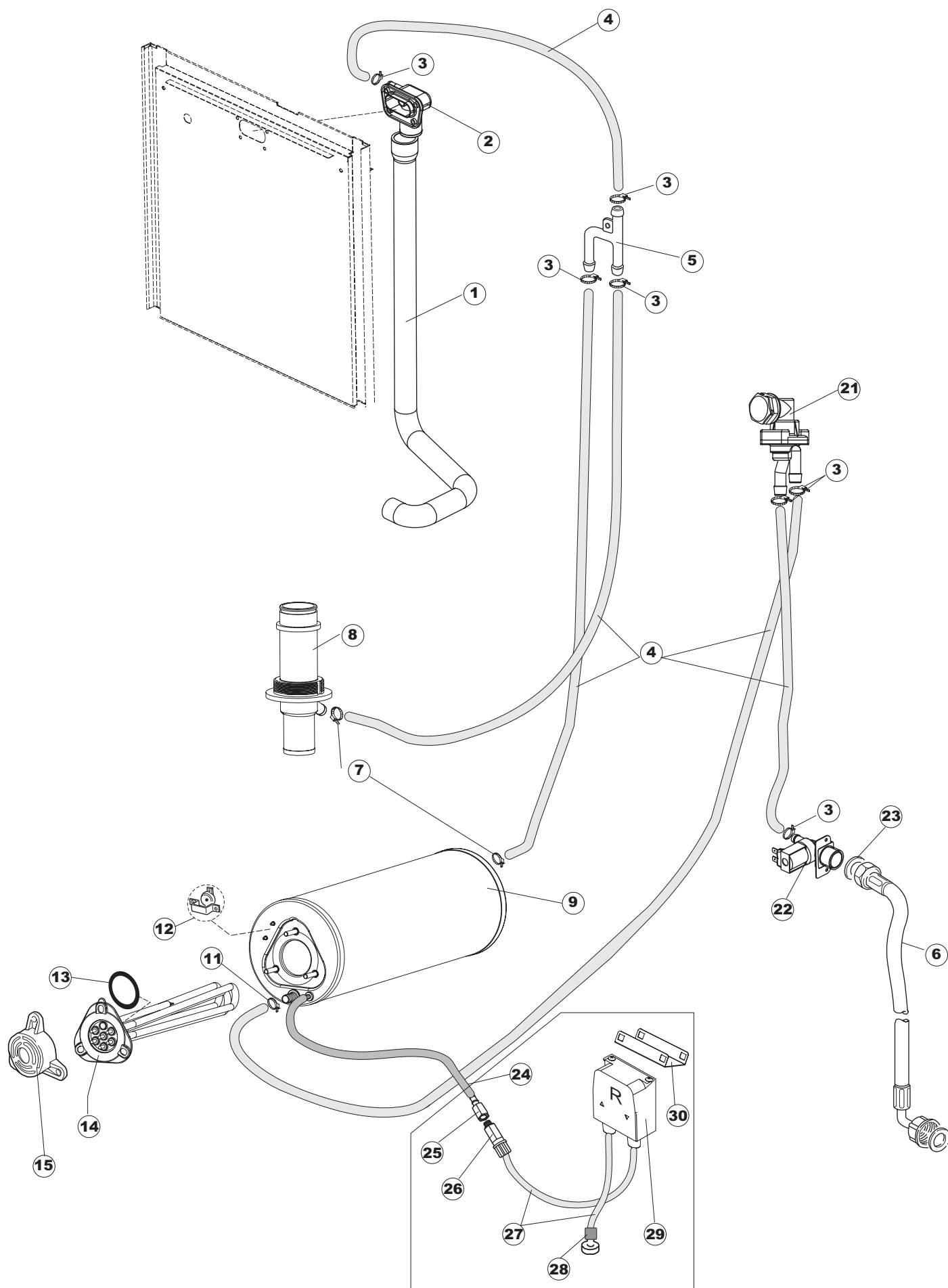
1	121123	FILTRO VASCA PLAST.INTEGRALE LA50	
2	230112	RESISTENZA V 1400W-230V - LA50	
3	437086	GUARNIZIONE RESISTENZA VASCA GASKET, TANK RESISTANCE DICHTUNG, TANKWIDERSTAND JOINT RESISTANCE CUVE	
4	211002AG	CONTATTO MAGNETICO (E5111BLACO26) CONTACT, MAGNETIC (E5111BLACO26) KONTAKT, MAGNET. (E5111BLACO26) CONTACT MAGNETIQUE (E5111BLACO26)	
5	926189	TERMOSTATO BOILER SIC.95ø THERMOSTAT, BOILER, SAF.95ø THERMOSTAT, BOILER, SICHERH.95ø THERMOSTAT CHAUDIERE SEC. 95ø	
6	926189	TERMOSTATO BOILER SIC.95ø THERMOSTAT, BOILER, SAF.95ø THERMOSTAT, BOILER, SICHERH.95ø THERMOSTAT CHAUDIERE SEC. 95ø	
7	236035	TERM.CONTATTO VASCA/L.60ø+/-3ø(2611573) THERM.,CONT. TANK/L.60ø+/-3ø(2611573) THERM.,KONT. TANK/L.60ø+/-3ø(2611573) THERM.CONTACT CUVE/L.60ø+/-3ø(2611573)	
8	41953	KIT DOSATORE DETERGENTE REG. MANUALE KIT KIT KIT	Optional
9	69030	SQUADRA SUPPORTO DOSATORE PIEGATO FINITO	
10	468151	RACCORDO ENTRATA SAPONE CPL NM * SALDATO UNION, EXTRA DET. CPL NM * WELDED VERBINDUNGSST., SEIFENEINTRITT CPL NM * GESCHW. RACCORD ENTREE SAVON CPL NM * SOUDE	
11	143194	TUBO 4x6 CRISTAL TRASPARENTE PIPE 4x6 CRISTAL, TRANSP. ROHR 4x6 CRISTAL, DURCHS. TUYAU 4x6 CRISTAL TRANSPARENT	
12	143219	TUBETTO SANTOPRENE 6X10 RACCORDI+GHIERE TUBE, SANTOPRENE 6X10 FITTINGS+METAL RINGS RÖHRCHEN, SANTOPRENE 6X10 VERBIND.+GEWINDERINGE TUBE SANTOPRENE 6X10 RACC.+COLL.DE SERR.	
13	209021	DOSAT.PERIST.DETERGENTE REG. PERISTALTIC DISPENSER (NBR-3)	
14	121075	FILTRO ASPIR.INOX(775239-001) FILTER, SUCT.INOX (775239-001) FILTER, ABSAUG.INOX (775239-001) FILTRE ASPIR.INOX(775239-001)	
15	224025	PRESSOSTATO 105/125 MAIN PRESSURE SWITCH 105/125 ARBEITSDRUCKWAECHTER 105/125 PRESSOSTAT DE TRAVAIL 105/125	
16	224023	PRESSOSTATO - 165/140 MAIN PRESSURE SWITCH 165/140 ARBEITSDRUCKWAECHTER 165/140 PRESSOSTAT DE TRAVAIL 165/140	Pompa scarico
17	143131	VEDI CODICE 143005 SEE CODE 143005 SIEHE SERIENN. 143005 VOIR CODE 143005	

18	107013	CAMPANA PRESSOSTATO PRESSURE SWITCH AIR BELL LUFT-GLOCKE DES DRUCKSCHALTERS CLOCHE PRESSOSTAT	
19	456073	OR(50825)CAMPANA PRESS.LA50 O-RING O-RING O-RING	
20	142058	TROPPO PIENO LA50 OVERFLOW PIPE LA50 UEBERLAUFROHR LA50 BONDE DE SURVERSE LA50	
21	456081	O-RING O-RING O-RING O-RING	
22	121120	FILTRO BASE COMPLETO LA50 FILTER COMPLETE SIEB FILTRE COMPLETE	
23	429072	GHIERA CORPO ASPIR./SCARICO LA50	
24	456076	OR.D.I.135.9X5.33 ART.53125 OR.D.I.135.9X5.33 ART.53125 TORISCHE DICHTUNG D.I.135.9X5.33 JOINT TORIQUE D.I.135.9X5.33	
25	136028	CORPO ASPIR./SCARICO LA50 ASPIRATION AND DRAIN BODY LA50 ABSAUG-UND ABFLUSSKOERPER LA50 CORPS D'ASPIRATION/VIDANGE LA50	
26	127082	MANICOTTO ASPIRAZIONE MANCHON REFOULEMENT RINÇAGE NACHSPUEL-FOERDERUNGSBOGEN RINSE DELIVERY ELBOW	
27	CFS1	FASCETTA A VITE TORRO 35-50/9 CLAMP, HOSE-TYPE TORRO 35-50/9 SCHELLE, SCHRAUBE TORRO 35-50/9 BANDE DE SERRAGE A VIS TORRO 35-50/9	
28	143252	TUBO SCARICO LA50 DRAIN HOSE ABLAUFLEITUNG TUYAU VIDANGE	



# Pagina 4

1	80177	CONDOTTO LAVAGGIO SUP.RIVER PIPELINE - WASHING, UPPER RIVER LEITUNG - SPÜLEN, OB. RIVER CONDUITE LAVAGE SUP.RIVER	
2	80178	GUARNIZIONE GASKET DICHTUNG JOINT	
3	80174	RACCORDO LAV.SUP.EST.GOLD (COL.NEUTRO) UNION, WASH.UPP.OUTS.GOLD (NEUTRAL COL.) VERBINDUNGSST., OB.SPÜL. AUSS.GOLD (NEUTR. FARBE) RACCORD LAV.SUP.EXT.GOLD (COL.NEUTRE)	
4	CFS1A	FASCETTA A VITE TORRO W1/W2B 40-60/12 CLAMP, HOSE-TYPE TORRO W1/W2B 40-60/12 SCHELLE, SCHRAUBE TORRO W1/W2B 40-60/12 BANDE DE SERRAGE A VIS TORRO W1/W2B 40-60/12	
5	69020	TUBO MANDATA LAVAGGIO SUPERIORE CAPOT	
6	CFS1	FASCETTA A VITE TORRO 35-50/9 CLAMP, HOSE-TYPE TORRO 35-50/9 SCHELLE, SCHRAUBE TORRO 35-50/9 BANDE DE SERRAGE A VIS TORRO 35-50/9	
7	429073	GHIERA FISSA CONDOTTO INF.LA50	
8	437102	GUARNIZIONE CONDOTTO INFER.LA50	
9	115143	CONDOTTO CENTRALE INF.LA50 TAPPO DOS. UPPER CENTRAL PIPE LA50 ZENTRALLEITUNG OBEN LA50 CONDUIT CENTRAL INFERIEUR LA50	
10	127085	MANICOTTO MANDATA INF.LA50 PUMP INTAKE COUPLING LA50 SAUGMUFFE PUMPE LA50 MANCHON ASPIRATION POMPE LA50	
11	423008	FASCETTA D20X32X9 TIPO TORRO ACC.W1 CLAMP, D20X32X9 TYPE TORRO ACC.W1 SCHELLE, D20X32X9 TYP TORRO ACC.W1 BANDE DE SERR. D20X32X9 TYPE TORRO ACC.W1	
12	127082	MANICOTTO ASPIRAZIONE MANCHON REFOULEMENT RINÇAGE NACHSPUEL-FOERDERUNGSBÖGEN RINSE DELIVERY ELBOW	
13	136028	CORPO ASPIR./SCARICO LA50 ASPIRATION AND DRAIN BODY LA50 ABSAUG-UND ABFLUSSKÖRPER LA50 CORPS D'ASPIRATION/VIDANGE LA50	

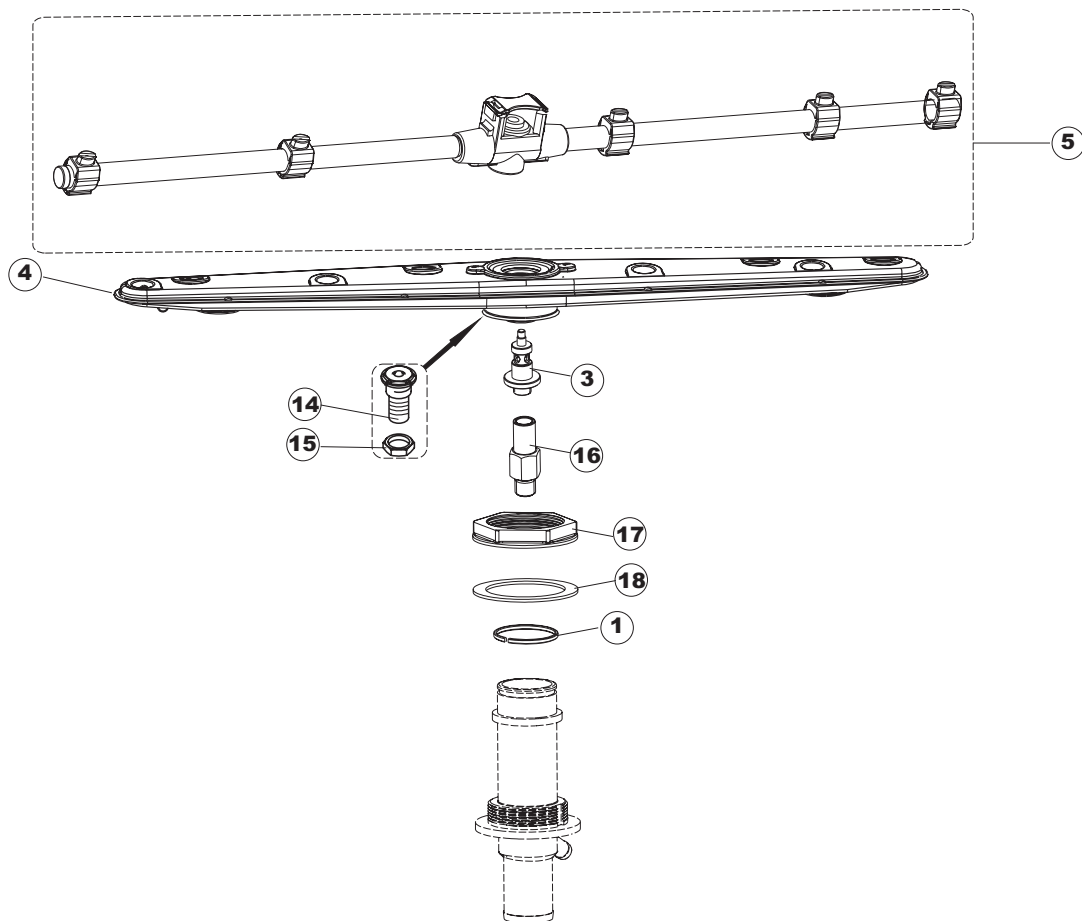
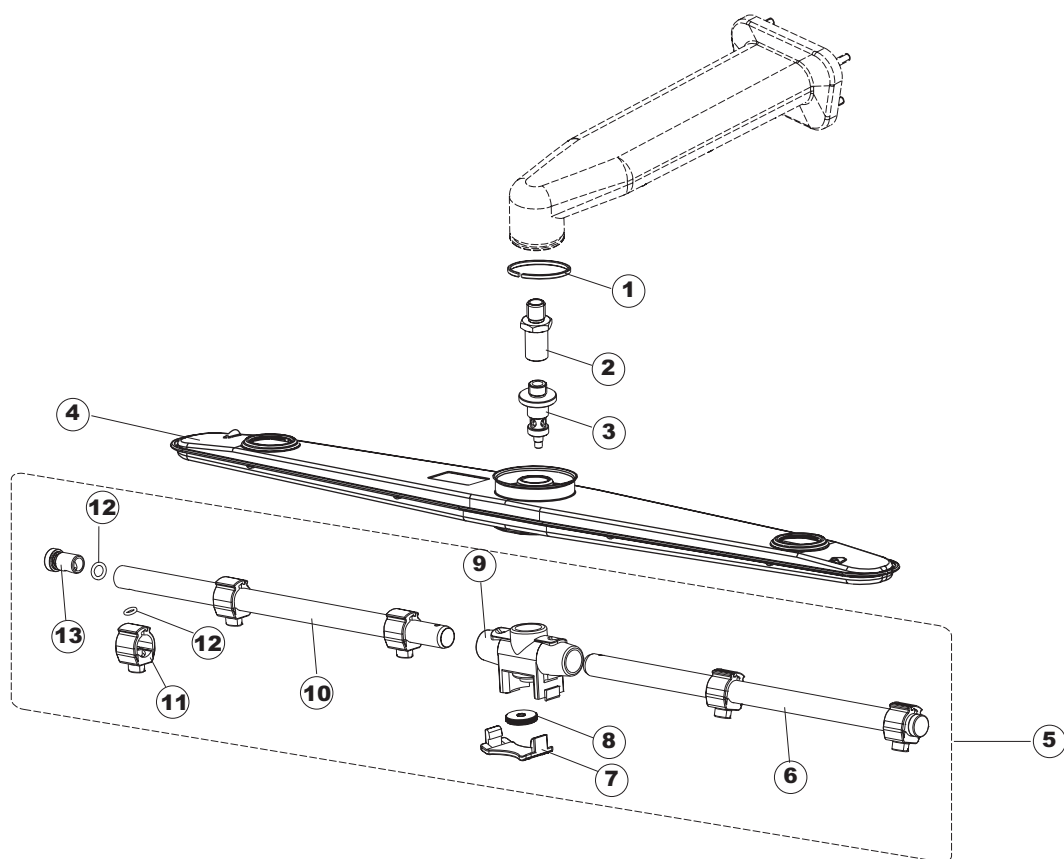


# Pagina 5

1	69020	TUBO MANDATA LAVAGGIO SUPERIORE CAPOT	
2	80174	RACCORDO LAV.SUP.EST.GOLD (COL.NEUTRO) UNION, WASH.UPP.OUTS.GOLD (NEUTRAL COL.) VERBINDUNGSST., OB.SPÜL. AUSS.GOLD (NEUTR. FARBE) RACCORD LAV.SUP.EXT.GOLD (COL.NEUTRE)	
3	927322	FASCETTA NASTRO 14-24 CLAMP, TAPE 14-24 SCHELLE, BANDTR 14-24 BANDE DE SERRAGE CONVOYEUR 14-24	
4	143010	TUBO PRESS.TP 12X19.5 PIPE, PRESSURE SWITCH TP 12X19.5 ROHR, DRUCKSCHALTER TP 12X19.5 TUYAU PRESS.TP 12X19.5	
5	143173	GIUNZIONE RISC.PLAST.35/40/50 JOINT, RINSE PLAST.35/40/50 VERBIND., NACHSPÜLEN KUNST.35/40/50 JOINT RINC.PLAST.35/40/50	
6	929169	TUBO DI CARICO DEL TERMOPLASTICO PIPE, THERMOPLASTIC DELIVERY ROHR, EINLASS THERMOPLAST TUYAU DE CHARG. DU THERMOPLASTIQUE	
7	927322	FASCETTA NASTRO 14-24 CLAMP, TAPE 14-24 SCHELLE, BANDTR 14-24 BANDE DE SERRAGE CONVOYEUR 14-24	
8	115143	CONDOTTO CENTRALE INF.LA50 TAPPO DOS. UPPER CENTRAL PIPE LA50 ZENTRALLEITUNG OBEN LA50 CONDUIT CENTRAL INFERIEUR LA50	
9	104060	BOILER BOILER BOILER SURCHAUFFEUR LA50	
10	423010	FASCETTA D8X12X7,5 TIPO TORRO ACC.W2 CLAMP, D8X12X7,5 TYPE TORRO ACC.W2 SCHELLE, D8X12X7,5 TYP TORRO ACC.W2 BANDE DE SERR. D8X12X7,5 TYPE TORRO ACC.W2	
11	927322	FASCETTA NASTRO 14-24 CLAMP, TAPE 14-24 SCHELLE, BANDTR 14-24 BANDE DE SERRAGE CONVOYEUR 14-24	
12	926189	TERMOSTATO BOILER SIC.95ø THERMOSTAT, BOILER, SAF.95ø THERMOSTAT, BOILER, SICHERH.95ø THERMOSTAT CHAUDIERE SEC. 95ø	
13	456002	OR 48x6,2 O-ring 48x6,2 O-Ring 48x6,2 OR 48x6,2	
14	230117	RESISTENZA BOILER 7600W/400V HEATING ELEMENT 7600W/400V HEIZUNG 7600W/400V RESISTANCE 7600W/400V	
15	69870	PROTEZIONE RESISTENZA BOILER BOILER HEATING ELEMENT PROTECTION HEIZUNGSSCHUETZ DES WARMWASSERBEREITERS PROTECTION RESISTANCE BOILER	
16	143005	TUBO PRESS.TP 5x11 (CASER/15/NL C4N) PIPE, PRESSURE SWITCH TP 5x11 (CASER/15/NL C4N) ROHR, DRUCKSCHALTER TP 5x11 (CASER/15/NL C4N) TUYAU PRESS.TP 5x11 (CASER/15/NL C4N)	
17	423010	FASCETTA D8X12X7,5 TIPO TORRO ACC.W2 CLAMP, D8X12X7,5 TYPE TORRO ACC.W2 SCHELLE, D8X12X7,5 TYP TORRO ACC.W2 BANDE DE SERR. D8X12X7,5 TYPE TORRO ACC.W2	

18	H.775601	TUBO 4x6 CRISTAL BLUE PVC PIPE 4x6 CRISTAL BLUE PVC ROHR 4x6 CRISTAL BLAU PVC TUYAU 4x6 CRISTAL BLEU PVC	
19	209025	DOSATORE BRILLANTANTE RINSE AID DISPENSING PUMP DOSIERPUMPE KLARSPUELER POMPE DOSEUR PR.RINÇAGE	
20	121075	FILTRO ASPIR.INOX(775239-001) FILTER, SUCT.INOX (775239-001) FILTER, ABSAUG.INOX (775239-001) FILTRE ASPIR.INOX(775239-001)	
21	144010	DISPOSIT.A/R.(EB) CON RACCORDO SFIATO CHECK VALVE (EB) W/DRAIN UNION RÜCKSCHLAGVORR.(EB) MIT ENTLÜFTUNG DISPOSIT.A/R.(EB) AVEC RACCORD DE VIDANGE	
22	240016	VALVOLA DI CARICO 1VIA 3/4 230V PARZ.16L LOADING S.VALVE 1-WAY 3/4 230V PART.16L ZUFLUSSVENTIL 1-WEG 3/4 230V DROSS.16L SOUPAPE DE CHARG. 1VOIE 3/4 230V PARZ.16L	
23	437041	GUARNIZIONE 3/4 GAS CARICO GASKET 3/4 GAS LOAD DICHTUNG 3/4 GASVERSORG. JOINT 3/4 GAZ VID.	
24	143005	TUBO PRESS.TP 5x11 (CASER/15/NL C4N) PIPE, PRESSURE SWITCH TP 5x11 (CASER/15/NL C4N) ROHR, DRUCKSCHALTER TP 5x11 (CASER/15/NL C4N) TUYAU PRESS.TP 5x11 (CASER/15/NL C4N)	
25	468201	RACCORDO CALZATUBO PER INIEZ.BRILL. CONNECTION ANSCHLUSS RACCORD	
26	468200	RACCORDO ACCIAIO INOX AISI316 1/8" STAINLESS STEEL CONNECTION AISI316 1/8" ANSCHLUSSSTUECK AUS NICHTROSTENDEM STAHL RACCORD EN ACIER INOXYDABLE 1/8"	
27	H.775601	TUBO 4x6 CRISTAL BLUE PVC PIPE 4x6 CRISTAL BLUE PVC ROHR 4x6 CRISTAL BLAU PVC TUYAU 4x6 CRISTAL BLEU PVC	
28	121075	FILTRO ASPIR.INOX(775239-001) FILTER, SUCT.INOX (775239-001) FILTER, ABSAUG.INOX (775239-001) FILTRE ASPIR.INOX(775239-001)	
29	209023	DOSAT.PERIST.BRILLANTANTE REG. PERISTALTIC DISPENSER PERISTALTISCHES DOSIERGERAET DOSEUR PÉRISTALTIQUE	
30	69032	SQUADRA SUPPORTO DOSATORE BRILLANTANTE	

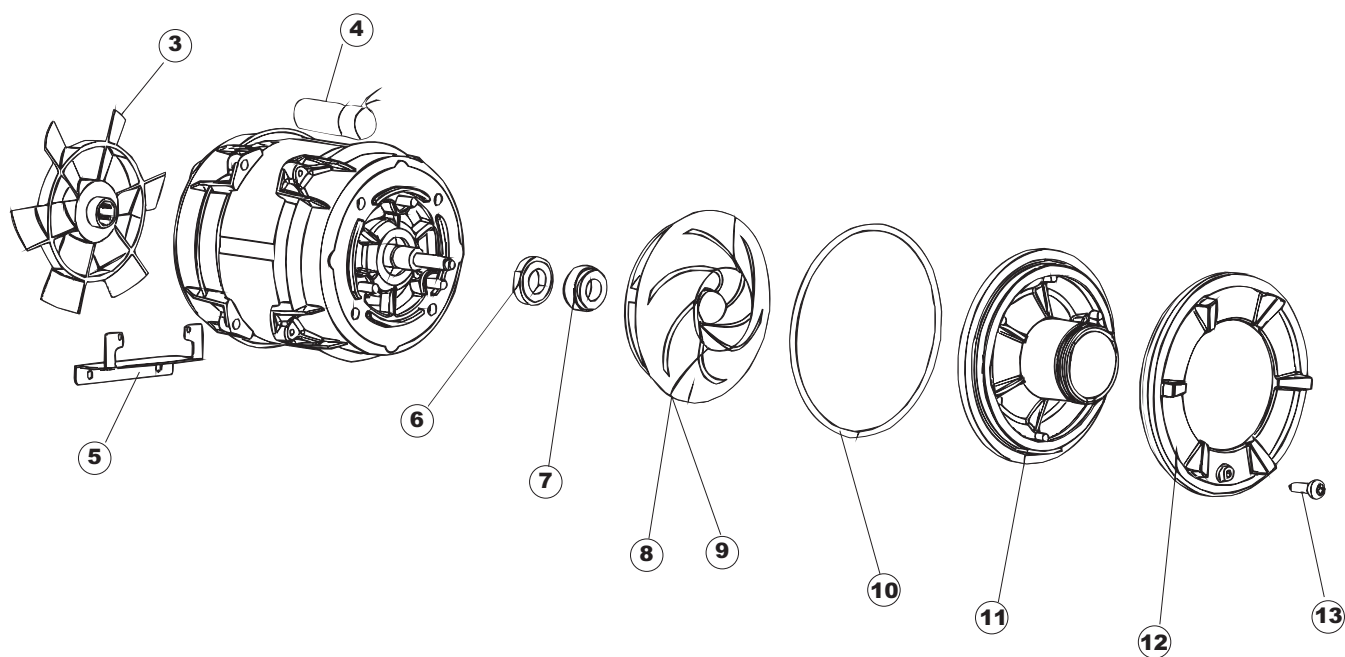
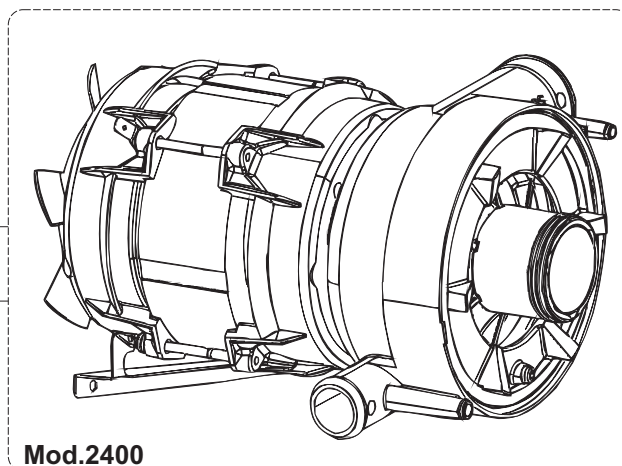




# Pagina 6

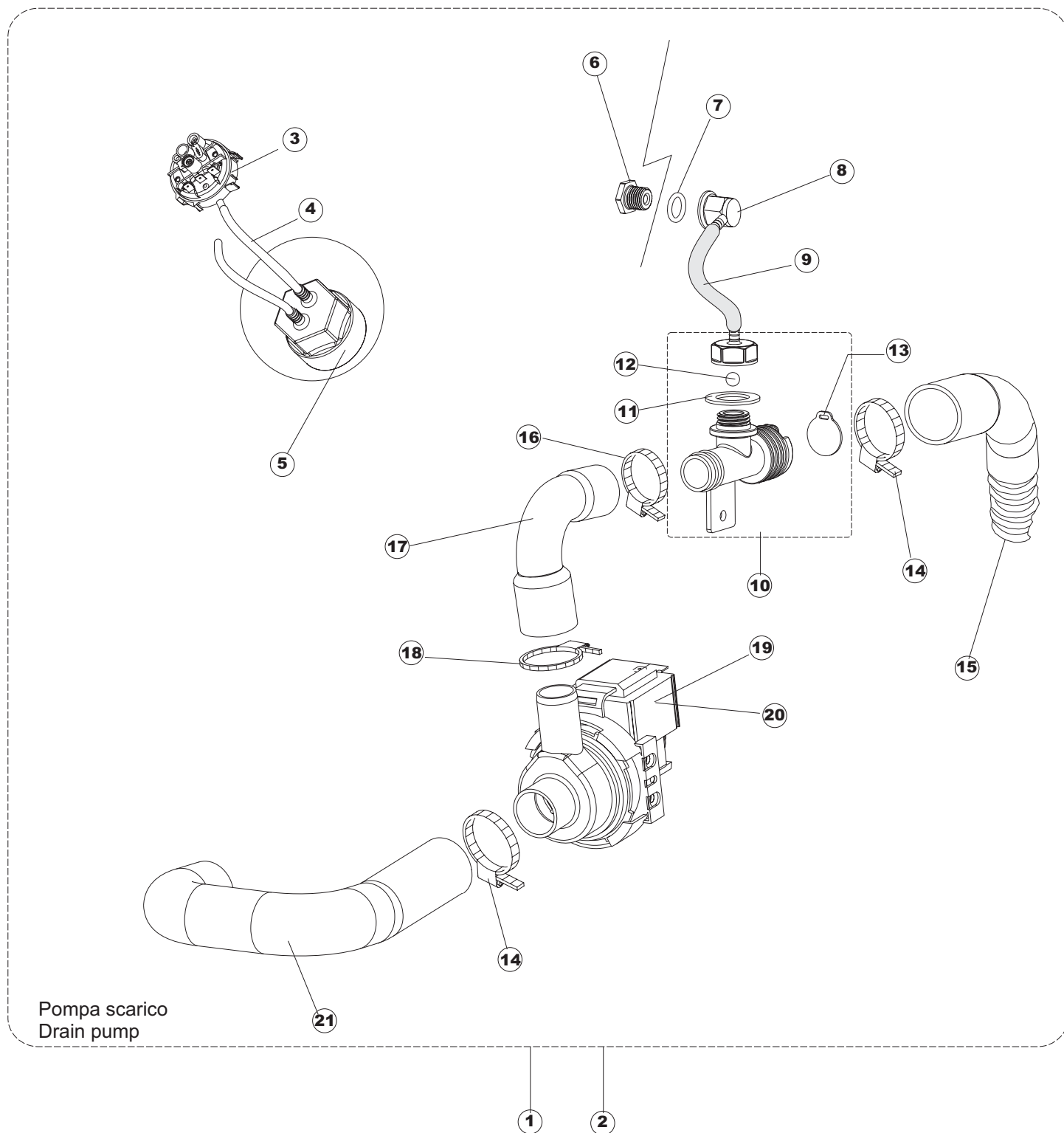
1	80184	ARTICOLO INDEFINITO ITEM NOT FIXED YET ART. NICHT BESTIMMT ARTICLE PAS DEFINI	
2	79042	PERNO SUPERIORE LAVAGGIO/RISCIACQUO C600 UPPER PIN C600 OBERZAPFEN C600 PIVOT SUPERIEUR	
3	80380	PERNO PETTINE RISC.RIVER PIN, RINSE COMB RIVER ZAPFEN, NACHSPÜLKAMM RIVER PIVOT PEIGNE RINC.RIVER	
4	69311	PETTINE LAVAGGIO CAPOT WASH ARM SPUELARM BRAS LAVAGE	
5	80370	PETTINE RISCIACQUO RIVER 80/81 COMB, RINSE RIVER 80/81 KAMM, NACHSPÜLEN RIVER 80/81 PEIGNE RINCAGE RIVER 80/81	
6	80375	TUBO RISC.(2FORI)RIVER 80/81 PIPE, RINSE(2HOLES)RIVER 80/81 ROHR, NACHSPÜLEN(2LÖCHER)RIVER 80/81 TUYAU RINC.(2TROUS)RIVER 80/81	
7	412030	FERMO DI SICUR.NOTT.X5 GRIGIO(80374) SAFETY STOPPER, PAWL GREY (80374) SICHERH.HALTEVORR., KLINKE GRAU (80374) ARRET DE SECURITE CLIQUET GRIS (80374)	
8	454005	NOTTOLINO TORNITO D21.5 PAWLN, TURNED D21.5 KLINKE, GEDREHT D21.5 CLIQUET TOURNE D21.5	
9	129059	CORPO RISCIACQUO GRIGIO(80371) RINSE ROTATING ARM GREY(80371) NACHSPÜLARM X5 GRAU(80371) CORPS RINCAGE GRIS(80371)	
10	80376	TUBO RISC.(3FORI)RIVER 80/81 PIPE, RINSE(3HOLES)RIVER 80/81 ROHR, NACHSPÜLEN(3LÖCHER)RIVER 80/81 TUYAU RINC.(3TROUS)RIVER 80/81	
11	140028	SPRUZZO RISCIACQUO D.3,5 GRIGIO(80373) SPRAY D.3,5 GREY(80373) SPRITZ D.3,5 GRAU(80373) JET RINCAGE D.3,5 GRIS(80373)	
12	456060	OR 2025(CGR2025) O-ring 2025(CGR2025) O-Ring 2025(CGR2025) OR 2025(CGR2025)	
13	926132	TAPPO PL.X BRACCIO DI RISC.(DWT312) CAP, PLASTIC FOR WASH. ARM (DWT312) PFROPFEN, KUNST. FÜR NACHSPÜLARM (DWT312) BOUCHON PL.POUR BRAS DE RINC.(DWT312)	
14	79044	BOCCOLA X BRACCIO LAVAGGIO INOX C600 WASHING ARM BUSH C600 WASCH-ARME BUCHSE C600 DOUILLE POUR BRAS DE LAVAGE C600	
15	308031	GHIERA BUSSOLA LAVAGGIO X5 RING NUT, WASH.BUSH X5 GEWINDERING, SPÜL.BUCHSE X5 BAGUE DOUILLE LAVAGE X5	
16	69282	PROLUNGA PERNO	
17	429073	GHIERA FISSA CONDOTTO INF.LA50	

18	437102	GUARNIZIONE CONDOTTO INFER.LA50	
----	--------	---------------------------------	--



# Pagina 7

1	69120	ELETTROPOMPA LA50 500W.230/50-1 ELECTROPUMP LA50 500W.230/50-1 ELECTROPUMPE LA50 500W.230/50-1 ELECTROPOMPE LA50 500W.230/50-1	
2	69120HZ	ELETTROPOMPA MONOFASE 500W 60HZ ELECTROPUMP ELEKTROPUMPE ELECTROPOMPE	
3	335015	VENTOLA POMPA 2400 FAN LUFERRAD VENTILATEUR	
4	206002	CONDENSATORE DA 10 mF CONDENSER - 10 mF KONDENSATOR - 10 mF CONDENSATEUR DE 10 mF	
5	69051	STAFFA POMPA LA50 PG FINITO	
6	141008	TENUTA MECCANICA PER POMPA DI LAVAGGIO PER LAVABICI WASH PUMP SHAFT SEAL FOR GLASSWASHER MECHANISCHE DICHTUNG FUER WASCHPUMPE DER GLAESE ETANCHEITE' DE LA POMPE DE LAVAGE POUR LAVE-VERRES	
7	141009	TENUTA MECCANICA PER POMPA DI LAVAGGIO PER LAVABICI WASH PUMP SHAFT SEAL FOR GLASSWASHER MECHANISCHE DICHTUNG FUER WASCHPUMPE DER GLAESE ETANCHEITE' DE LA POMPE DE LAVAGE POUR LAVE-VERRES	
8	124057	GIRANTE+INSERTO POMPA(2398R) IMPELLER PUMPENFLUEGEL TURBINE	
9	124060	GIRANTE+INSERTO POMPA(2398R)60HZ IMPELLER PUMPENFLUEGEL TURBINE	
10	456078	OR.POMPA(2402R)3.53X170.5 OR.PUMP (2402R)3.53X170.5 TORISCHE DICHTUNG JOINT TORIQUE	
11	480148	TAPPO CHIOCCIOLA POMPA(2397R) PUMP CAP DECKEL PUMPE BOUCHON POMPE	
12	429074	GHIERA FILETTATA POMPA(2399R) NUT RING DOUILLE	
13	486242	VITE 3.5X13 TBC UNI6954(0062R) SCREW 3.5X13 SCHRAUBE 3.5X13 VIS 3.5X13	



# Pagina 8

1	69701	KIT POMPA SCARICO (50HZ) DRAIN PUMP KIT KIT FUR ABLAUFPUMPE KIT POMPE DE VIDANGE	
2	69701HZ	KIT POMPA SCARICO (60HZ) DRAIN PUMP KIT KIT FUR ABLAUFPUMPE KIT POMPE DE VIDANGE	
3	224023	PRESSOSTATO - 165/140 MAIN PRESSURE SWITCH 165/140 ARBEITSDRUCKWAECHTER 165/140 PRESSOSTAT DE TRAVAIL 165/140	
4	143131	VEDI CODICE 143005 SEE CODE 143005 SIEHE SERIENN. 143005 VOIR CODE 143005	
5	107014	CAMPANA PRESSOSTATO LA50 PRESSURE SWITCH AIR BELL LA50 LUFT-GLOCKE DES DRUCKEWAECHTERS LA50 CLOCHE AIR PRESSOSTAT LA50	
6	429076	GHIERA VALVOLA SFIATO PS LA50	
7	456020	OR 3050 R495 O-ring 3050 R495 O-Ring 3050 R495 OR 3050 R495	
8	468029	RACCORDO CAMPANA PRESSOSTATO UNION, PRESSURE SWITCH BELL VERBINDUNGSST., DRUCKSCHALTERGLOCKE RACCORD BOITE PRESSOSTAT	
9	143013	TUBO PVC VERDE 4X7 PIPE, PVC GREEN 4X7 ROHR, PVC GRÜN 4X7 TUYAU PVC VERT 4X7	
10	144995	GRUPPO VALVOLA DI SFIATO X PS LA50 DRAIN PUMP VENT VALVE LA50 LUFTLOCH-VENTIL DER ABFLUSSPUMPE LA50 SOUPAPE DE SOUPIRAL POMPE DE VIDANGE LA50	
11	437083	GUARNIZIONE GOMMA D32D19.5S1.5 GASKET, RUBBER D32D19.5S1.5 DICHTUNG, GUMMI D32D19.5S1.5 JOINT CAOUTCHOUC D32D19.5S1.5	
12	476008	SFEROA VALVOLA LA50. HOST	
13	499092	MEMBRANA VALVOLA SFIATO PS LA50	
14	CFS1	FASCETTA A VITE TORRO 35-50/9 CLAMP, HOSE-TYPE TORRO 35-50/9 SCHELLE, SCHRAUBE TORRO 35-50/9 BANDE DE SERRAGE A VIS TORRO 35-50/9	
15	143252	TUBO SCARICO LA50 DRAIN HOSE ABLAUFLEITUNG TUYAU VIDANGE	
16	423008	FASCETTA D20X32X9 TIPO TORRO ACC.W1 CLAMP, D20X32X9 TYPE TORRO ACC.W1 SCHELLE, D20X32X9 TYP TORRO ACC.W1 BANDE DE SERR. D20X32X9 TYPE TORRO ACC.W1	
17	69071	GOMITO MANDATA POMPA SCARICO INTAKE COUPLING SAUGMUFFE MANCHON D'ASPIRATION	

18	CFS18	FASCETTA A VITE TORRO 20-32/9 CLAMP, HOSE-TYPE TORRO 20-32/9 SCHELLE, SCHRAUBE TORRO 20-32/9 BANDE DE SERRAGE A VIS TORRO 20-32/9	
19	80117	POMPA SCARICO RIVER DRAIN PUMP RIVER ABLASSPUMPE RIVER POMPE VIDANGE RIVER	
20	80117HZ	POMPA SCARICO 240V/60HZ (DPS35-015) DRAIN PUMP 240V/60HZ (DPS35-015) ABLASSPUMPE 240V/60HZ (DPS35-015) POMPE VIDANGE 240V/60HZ (DPS35-015)	
21	127087	MANICOTTO GOMMA POMPA SC.LA50 RUBBER COUPLING DRAIN PUMP MUFFE DURITE	