

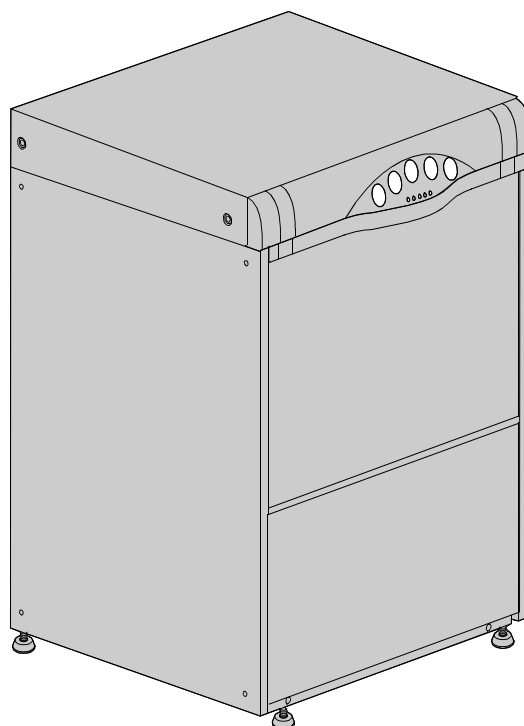
DISHWASHER

ELECTROMECHANICAL SWITCHES
LOWER AND UPPER WASHING

TYPE: 291P

Accessories
BREAK TANK
BOOSTER PUMP
DVGW
DETERGENT DISPENSER
DRAIN PUMP

Spare parts manual



1. Spare parts

General body parts.....	7
Lockup system	9
Lockup system	15
Control panel	11
Control electric components.....	13
Solenoid valve group	15
Break Tank	17
Booster pump.....	19
DVGW	21
Shining product dosing device group .	23
Boiler group	25
3 ways derivation.....	27
Wash pump	29
Dosing device group	31
Drain pump group.....	33
Pressure switch group with air trap ...	35

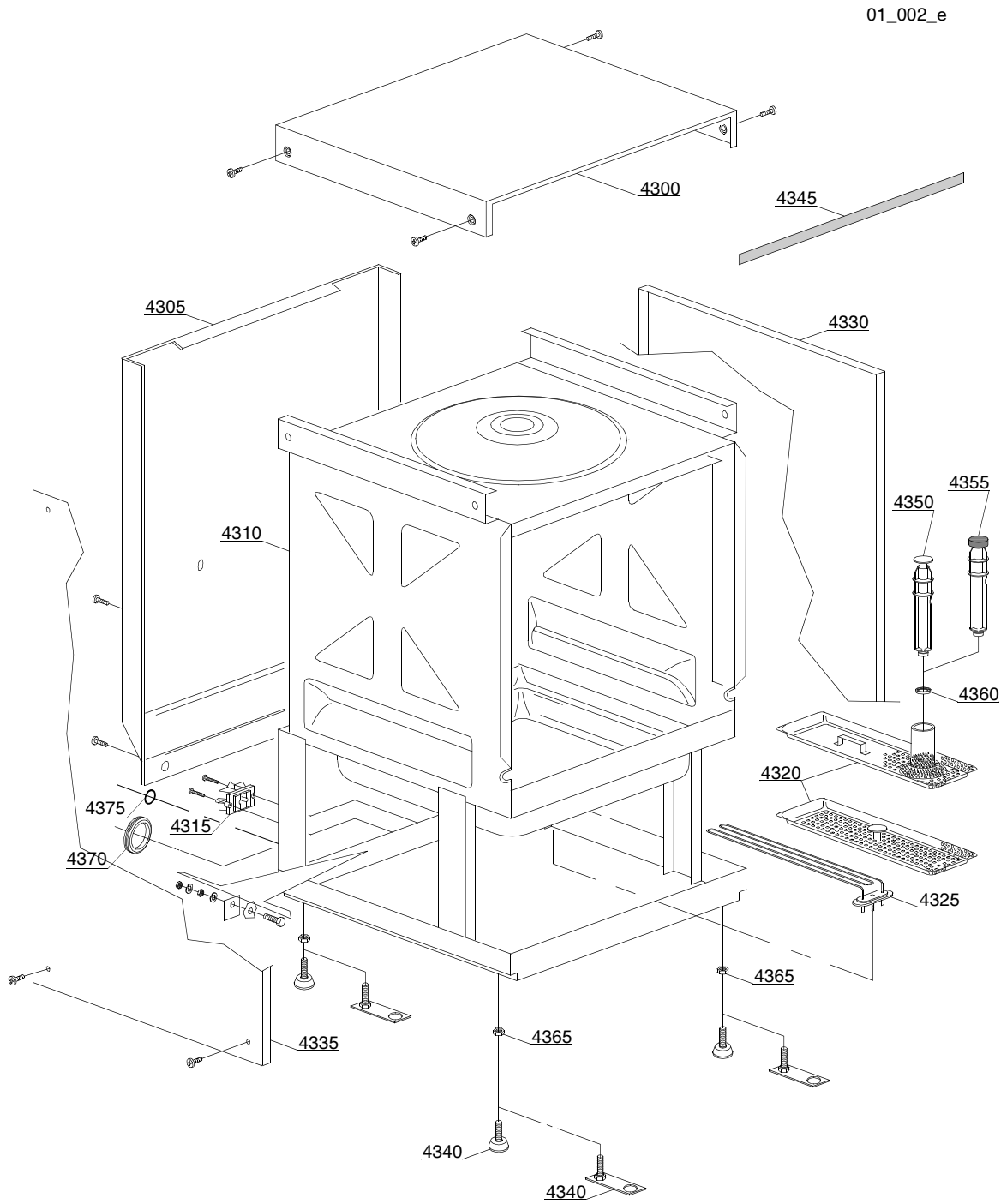
Turret group with rotating arms37

1.1 Voltage codes

Voltage code	Voltage
A	3/N/PE~400/230V 50Hz
B	~250V 16A 50Hz
C	3/N/PE~380/220V 50Hz
D	3/PE~200V 50-60Hz
F	2/PE 220-240V 50Hz
G	3/N/PE~415/240V 50Hz
H	3/PE~230V 50Hz
I	3/PE~220V 60Hz
J	3/PE~380 50Hz
K	3/PE~400V 50Hz
L	3/PE~415V 50Hz
M	3/PE~440V 60Hz
N	3/PE~460V 60Hz
O	3/PE~480V 60Hz
P	1/N/PE~220-240V 50Hz
R	2/PE~220-230V 60Hz
S	3/N/PE~400/230V 50Hz
T	3/PE~230V 60Hz

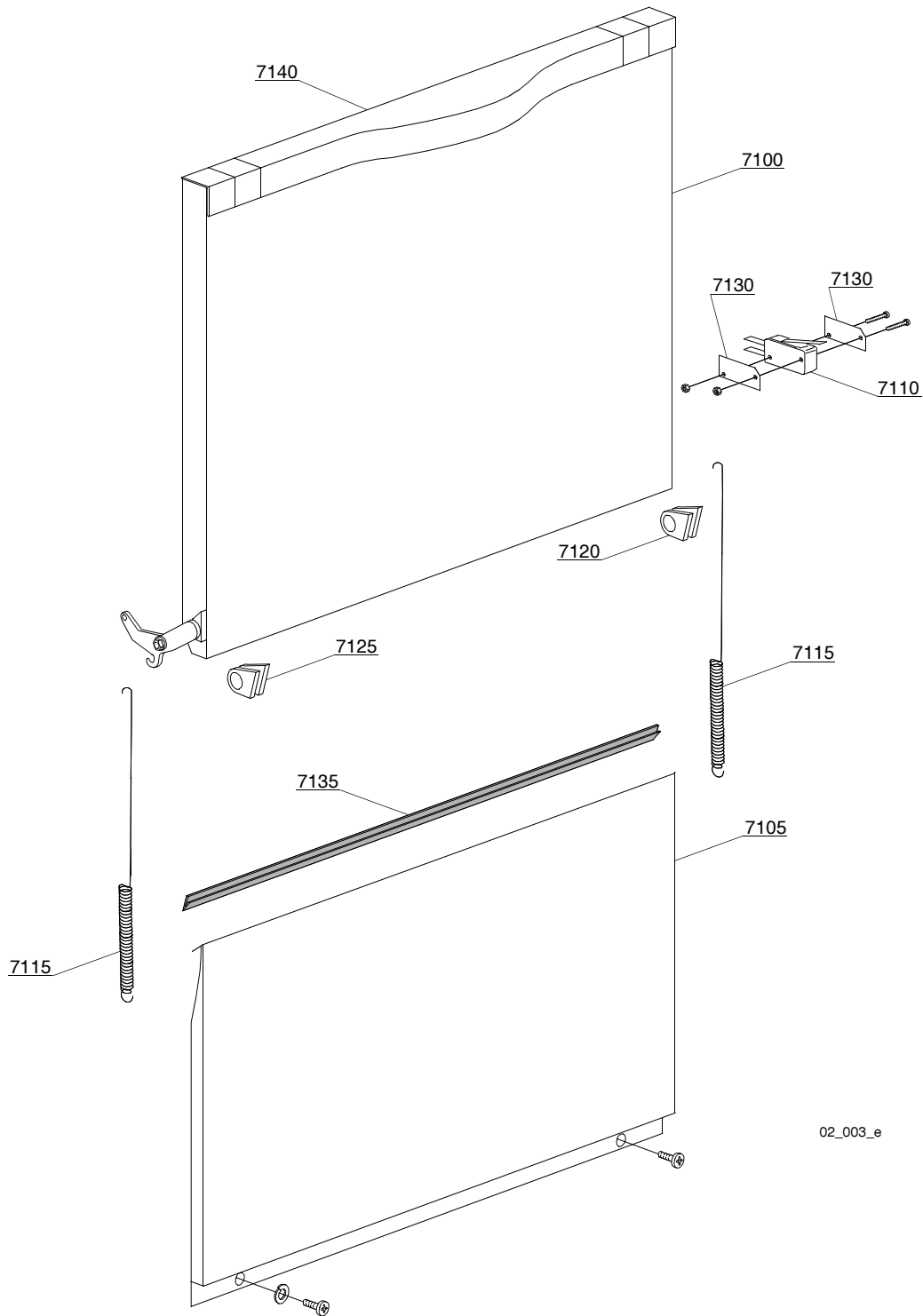
1.2 Product codes

Product code	Full name
Model codes	
em	ELECTROMECHANICAL SWITCHES
ls	LOWER AND UPPER WASHING
Type codes	
291P	291P
Accessory codes	
bt	BREAK TANK
pap	BOOSTER PUMP
dvgw	DVGW
dde	DETERGENT DISPENSER
ps	DRAIN PUMP



Spare parts

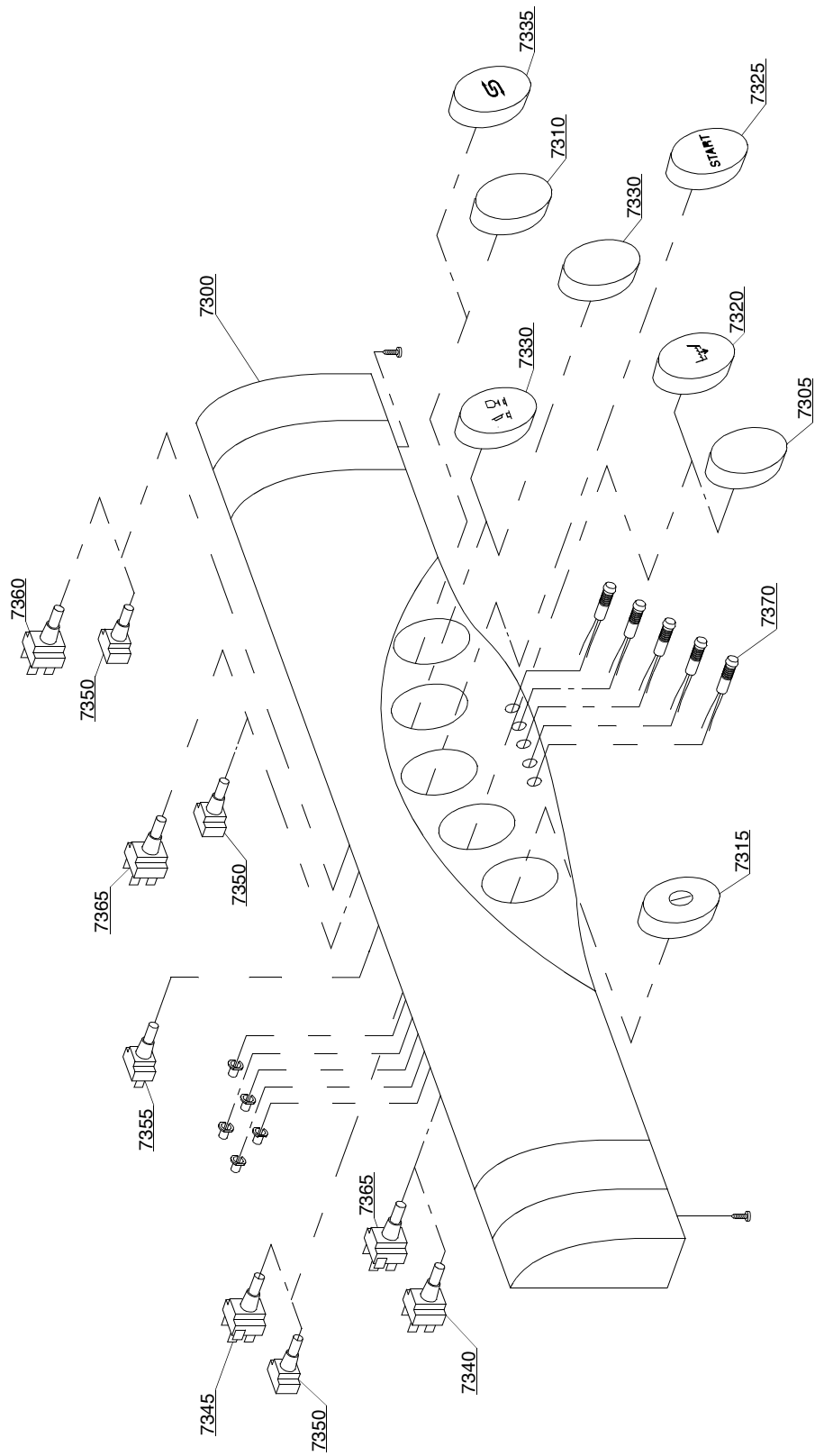
ID	P-code	Model	Type	Accessory	Voltage	Description
MODULE:General body parts						
4300	560918		291P			Cover
4305	560919		291P			Back panel
4305	560938		291P	bt		Back panel
4310	561000		291P			Body
4315	15065/A		291P			Cable-fastener with screw
4320	561009		291P			Surface filter
4325	540406		291P			400W heating element
4330	560914		291P			Right side
4335	560915		291P			Left side
4340	10786		291P			M10x25 O40 black foot
4340	15176		291P			M10 marina foot
4345	560021		291P			Profile for door gasket
4365	11711		291P			M10 zinc plated nut



02_003_e

Spare parts

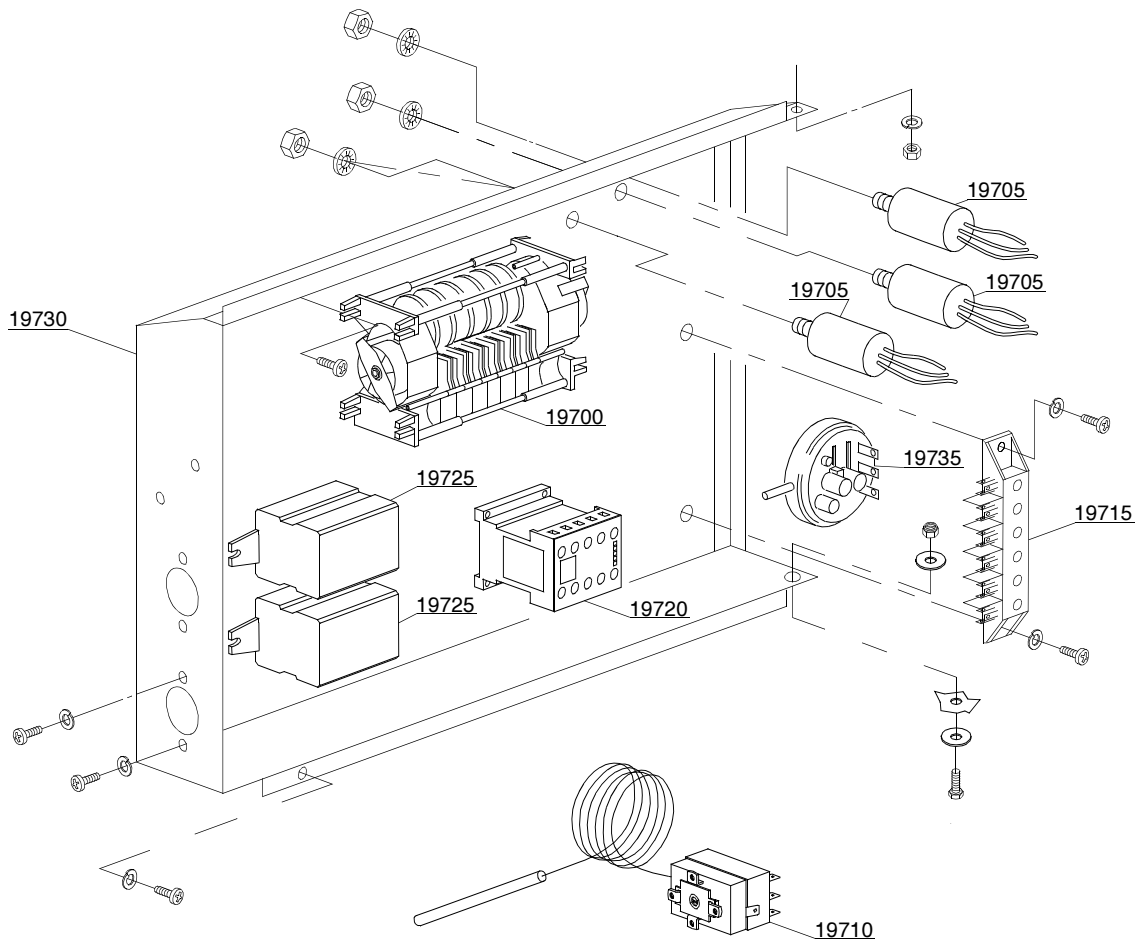
ID	P-code	Model	Type	Accessory	Voltage	Description
MODULE:Lockup system						
7100	560916		291P			Door with plastic handle
7105	560920		291P			Lower door
7110	10704		291P			Door microswitch
7115	560003		291P			Door spring
7120	560006		291P			Right lock for door hinge
7125	560007		291P			Left lock for door hinge
7130	10770		291P			Insulating for door microswitch
7135	560013		291P			Profile for lower-door gasket
7140	560550		291P			Plastic handle



03_102_e

Spare parts

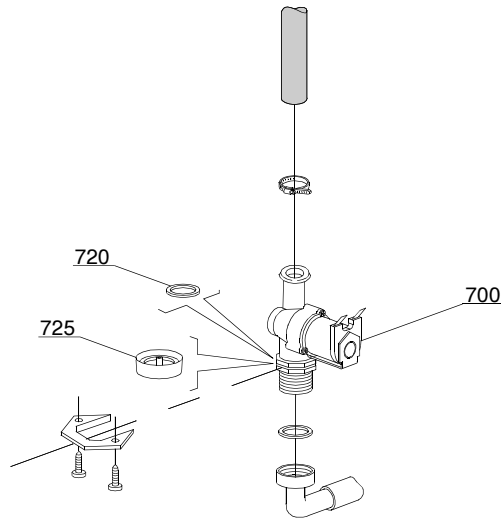
ID	P-code	Model	Type	Accessory	Voltage	Description
MODULE:Control panel						
7300	560501		291P			Control panel
7305	560523/A		291P			Key 2 with point
7310	560526/A		291P			Key 5 with point
7315	560527/A		291P			ON-OFF key 1
7320	560528/A		291P			Drain pump key 2
7325	560529/A		291P			Start key 3
7330	560538		291P			Key 4 with point
7340	15811		291P			16A bipolar switch
7345	15811/A		291P			16A bipolar switch push button
7350	15844		291P			Key support
7355	15813		291P			16A unipolar push button
7360	15800		291P			16A bipolar push button
7365	15812		291P			16A switch
7370	10711		291P			Pilot light



04_019_e

Spare parts

ID	P-code	Model	Type	Accessory	Voltage	Description
MODULE:Control electric components						
19700	10300125		291P			150" timer
19705	15149		291P			Low noise filter
19710	10707/1		291P			0-90°C thermostat
19715	500551		291P			6 poles terminal board
19720	15086		291P			Remote control switch 230V 50/60Hz 4C
19725	15620		291P			Bipolar relay in deviation
19730	560921		291P			Electric components panel
19735	10706/A		291P			47-27 pressure switch

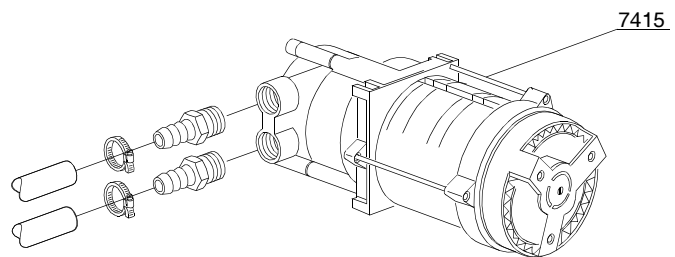
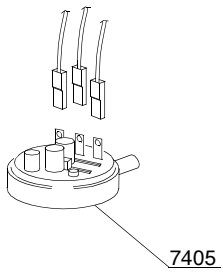
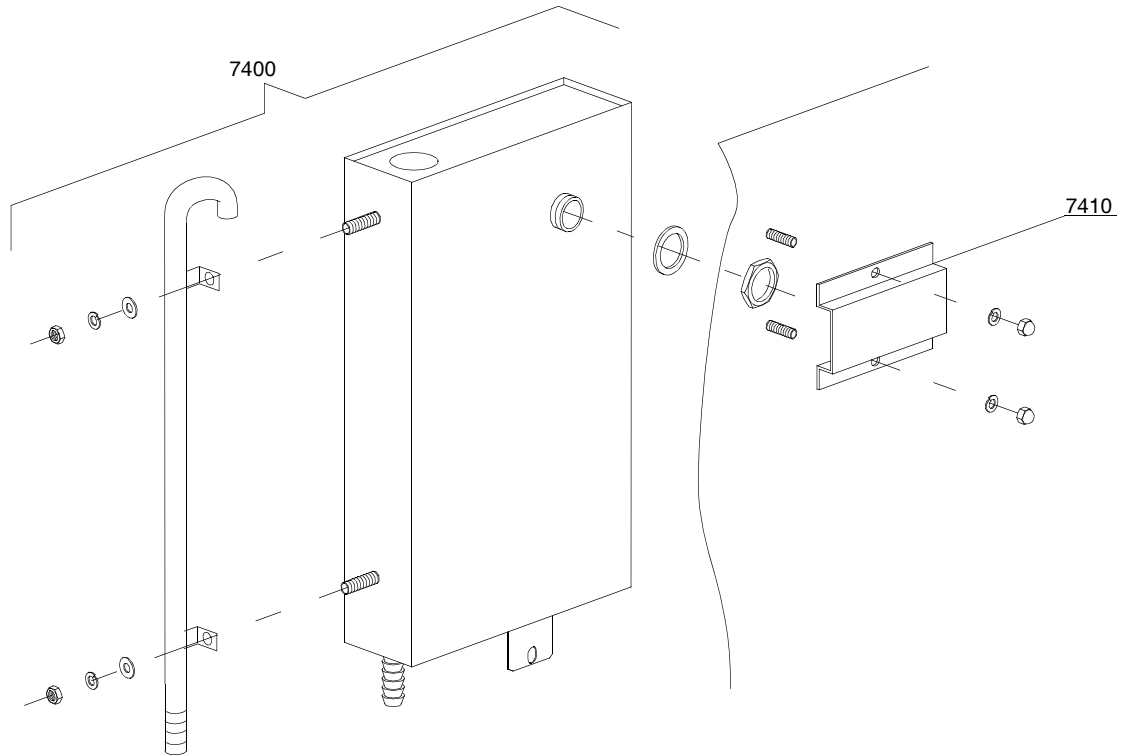


05_002_e

Spare parts

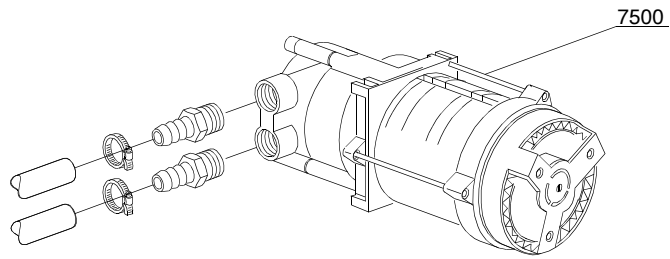
ID	P-code	Model	Type	Accessory	Voltage	Description
MODULE:Solenoid valve group						
700	10703		291P			Single solenoid valve
720	N.C.		291P			Pression reducing valve

06_002_e



Spare parts

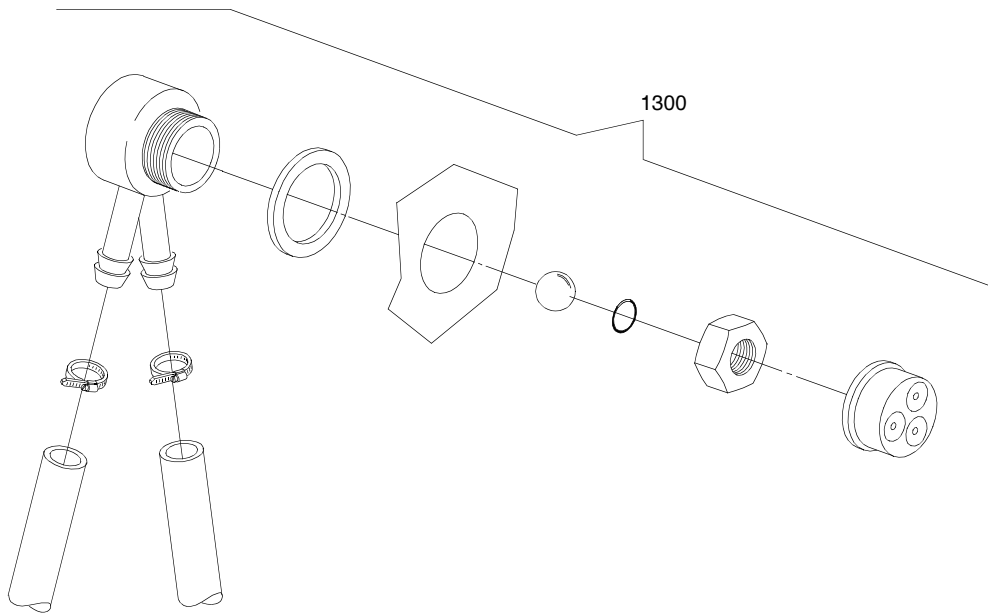
ID	P-code	Model	Type	Accessory	Voltage	Description
MODULE:Break Tank						
7400	15735		291P	bt		Break tank assembly
7405	10706/A		291P	bt		47-27 pressure switch
7410	15738		291P	bt		Hole protection
7415	15100/D		291P	bt		Booster pump



07_003_e

Spare parts

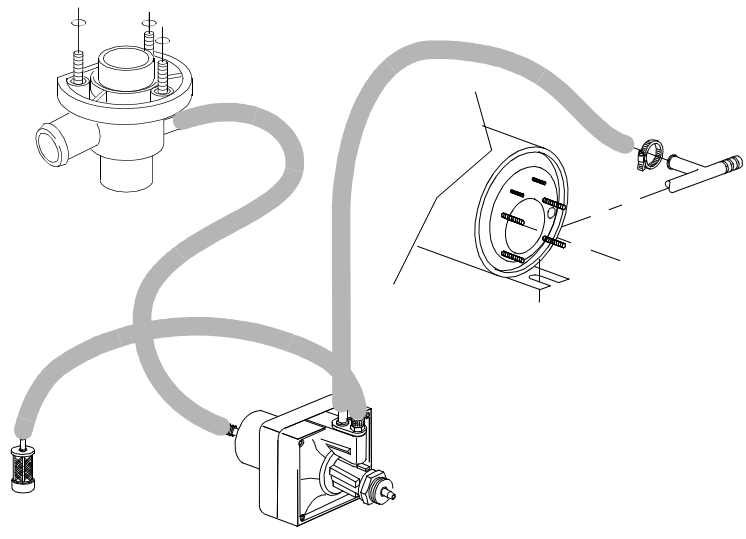
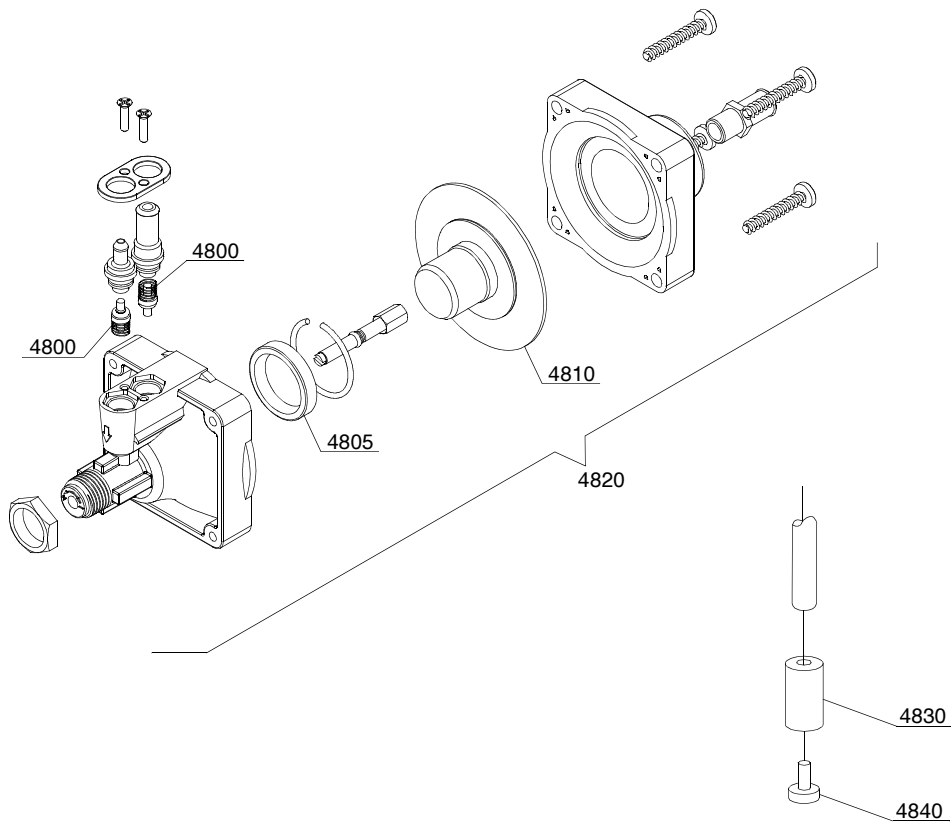
ID	P-code	Model	Type	Accessory	Voltage	Description
MODULE:Booster pump						
7500	15100/D		291P	bp		Booster pump



08_005_e

Spare parts

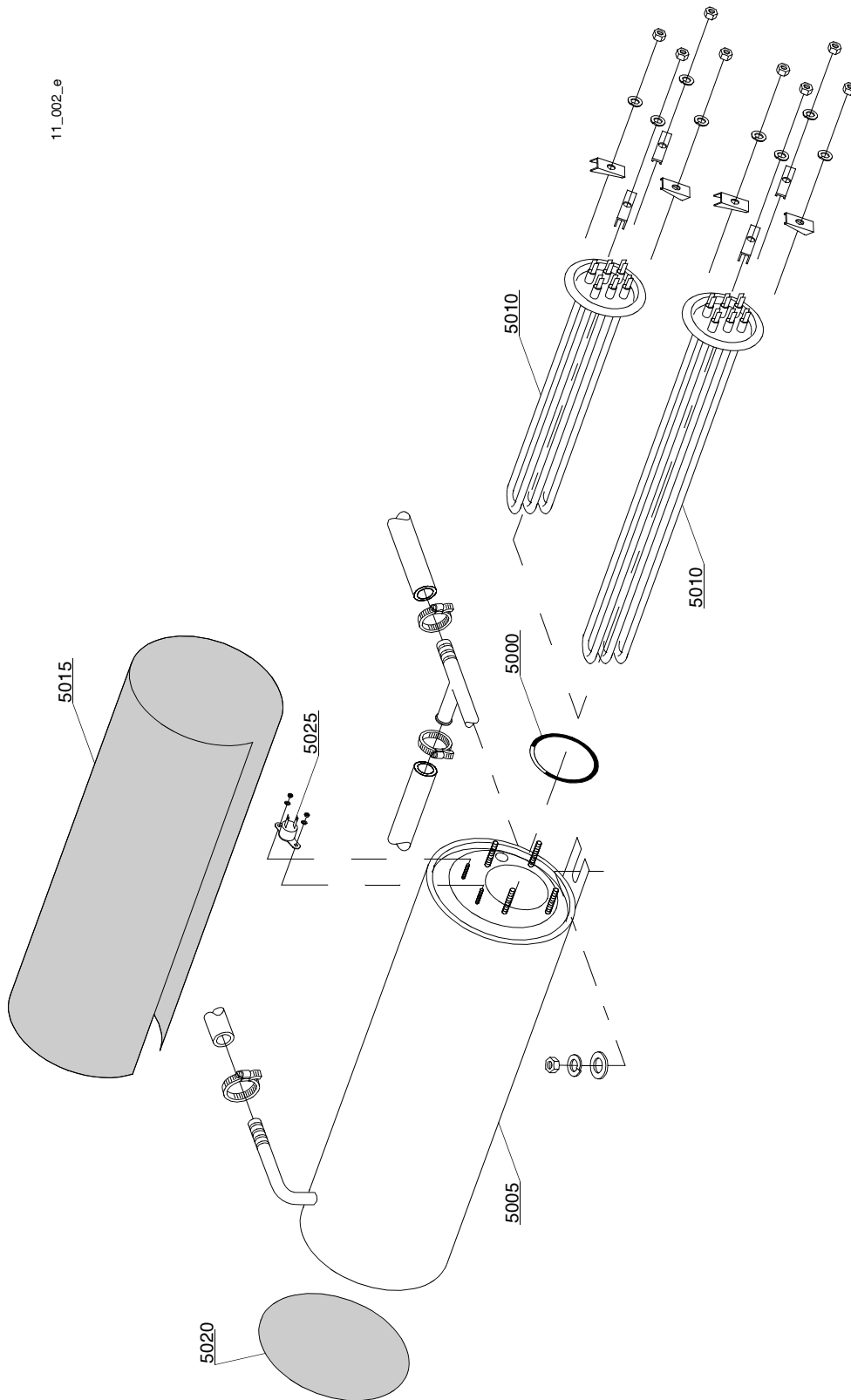
ID	P-code	Model	Type	Accessory	Voltage	Description
MODULE:DVGW						
1300	999900006		291P	dvgw		DVGW assembly



10_004_e

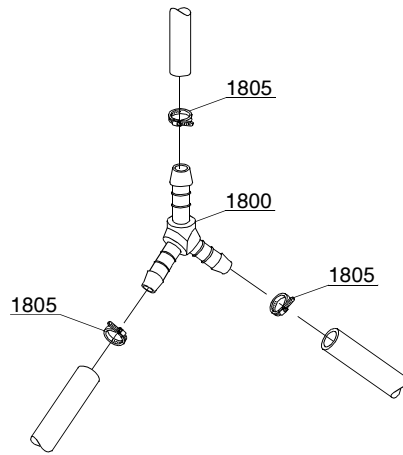
Spare parts

ID	P-code	Model	Type	Accessory	Voltage	Description
MODULE:Shining product dosing device group						
4800	10805		291P			Tecnopro dosing valve
4805	10806		291P			O22 gasket
4810	10807		291P			Membrane
4820	10799		291P			Shining product dosing device
4830	12525		291P			Counter-weight
4840	15058		291P			Small filter



Spare parts

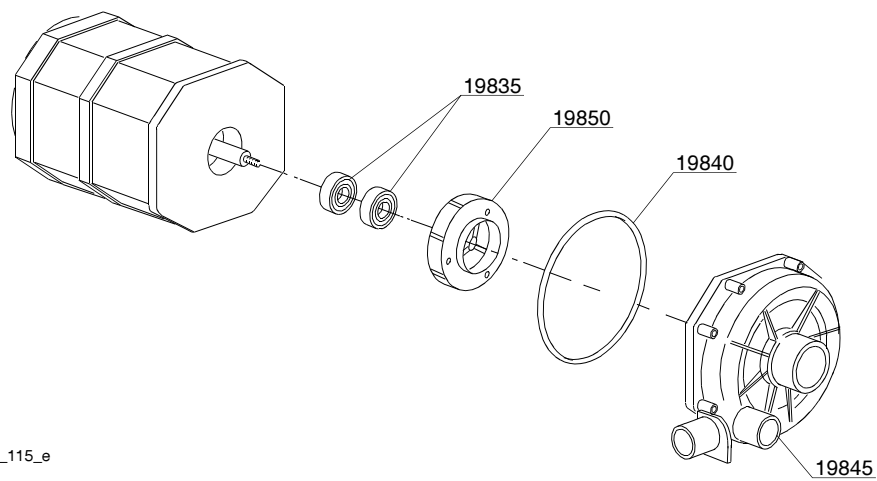
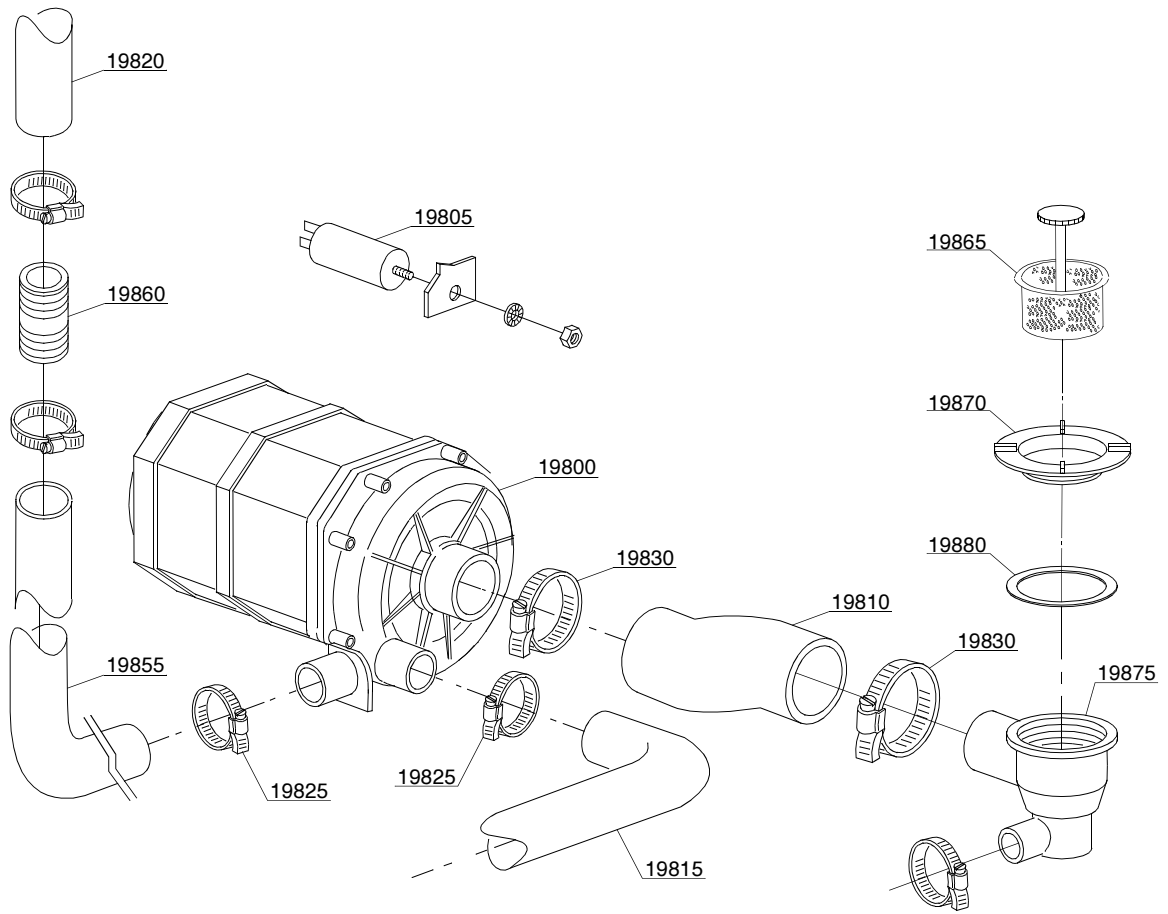
ID	P-code	Model	Type	Accessory	Voltage	Description
MODULE:Boiler group						
5000	13005		291P			OR 151 NBR gasket
5005	150905		291P			Boiler
5010	15089		291P			4,5KW heating element
5010	15089/E		291P			6KW - 230V heating element
5015	15066		291P			Insulating boiler
5020	15205		291P			O160 bottom
5025	15550		291P			Safety thermostat



12_003_e

Spare parts

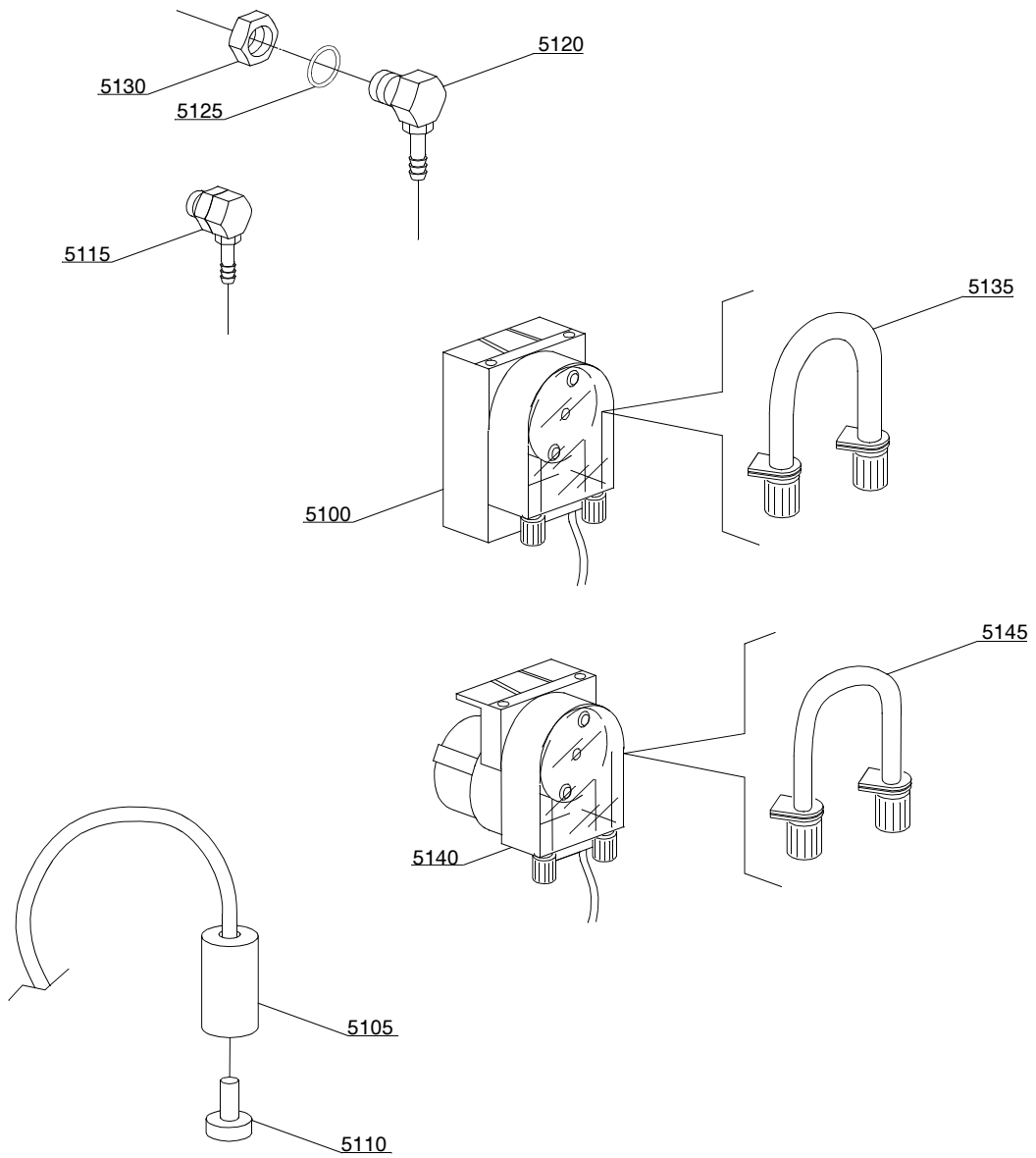
ID	P-code	Model	Type	Accessory	Voltage	Description
MODULE:3 ways derivation						
1800	540091		291P			O12 mm plastic 3 ways derivation
1805	11807		291P			12/22 clamp



13_115_e

Spare parts

ID	P-code	Model	Type	Accessory	Voltage	Description
MODULE:Wash pump						
19800	150914		291P			0,70Hp wash pump
19805	15081		291P			12,5 uF condenser
19810	25032/A		291P			Suction pipe coupling
19815	560008		291P			Top delivery pipe
19820	540004		291P			Top delivery pipe
19825	11806		291P			25/40 clamp
19830	11809		291P			30/45 clamp
19835	15080		291P			Rotating seals
19840	7130		291P			OR pump gasket
19845	16182		291P			Scroll
19850	15079/F		291P			Pump rotor
19855	18044		291P			O28 top wash pipe
19860	561014		291P			Inox pipe coupling
19865	561013		291P			Pump suction filter
19870	500615		291P			Ferrule with filter
19875	500606		291P			Right side scrap tray
19880	80208		291P			95x75x3 gasket

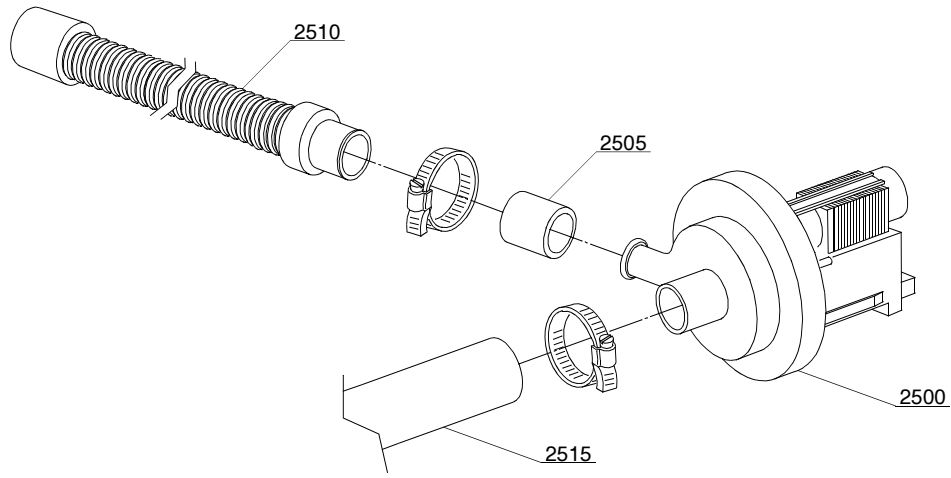


14_004_e

Spare parts

ID	P-code	Model	Type	Accessory	Voltage	Description
MODULE:Dosing device group						
5100	15985		291P	dd		Seko dosing device
5105	12525		291P	dd		Counter-weight
5110	15058		291P	dd		Small filter
5115	15123		291P	dd		Complet plastic injector
5120	15148		291P	dd		Steel injector
5125	15159		291P	dd		OR gasket
5130	10200205		291P	dd		M12x1 stainless steel nut
5135	15185		291P	dd		Seko thermoplastic pipe
5140	15985		291P	dd		Germac dosing device
5145	15108/E		291P	dd		Germac thermoplastic pipe

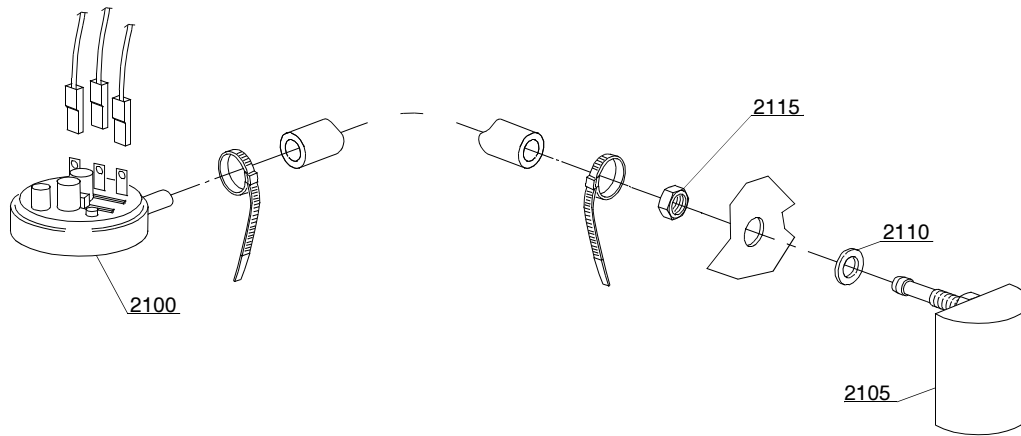
Spare parts



15_004_e

Spare parts

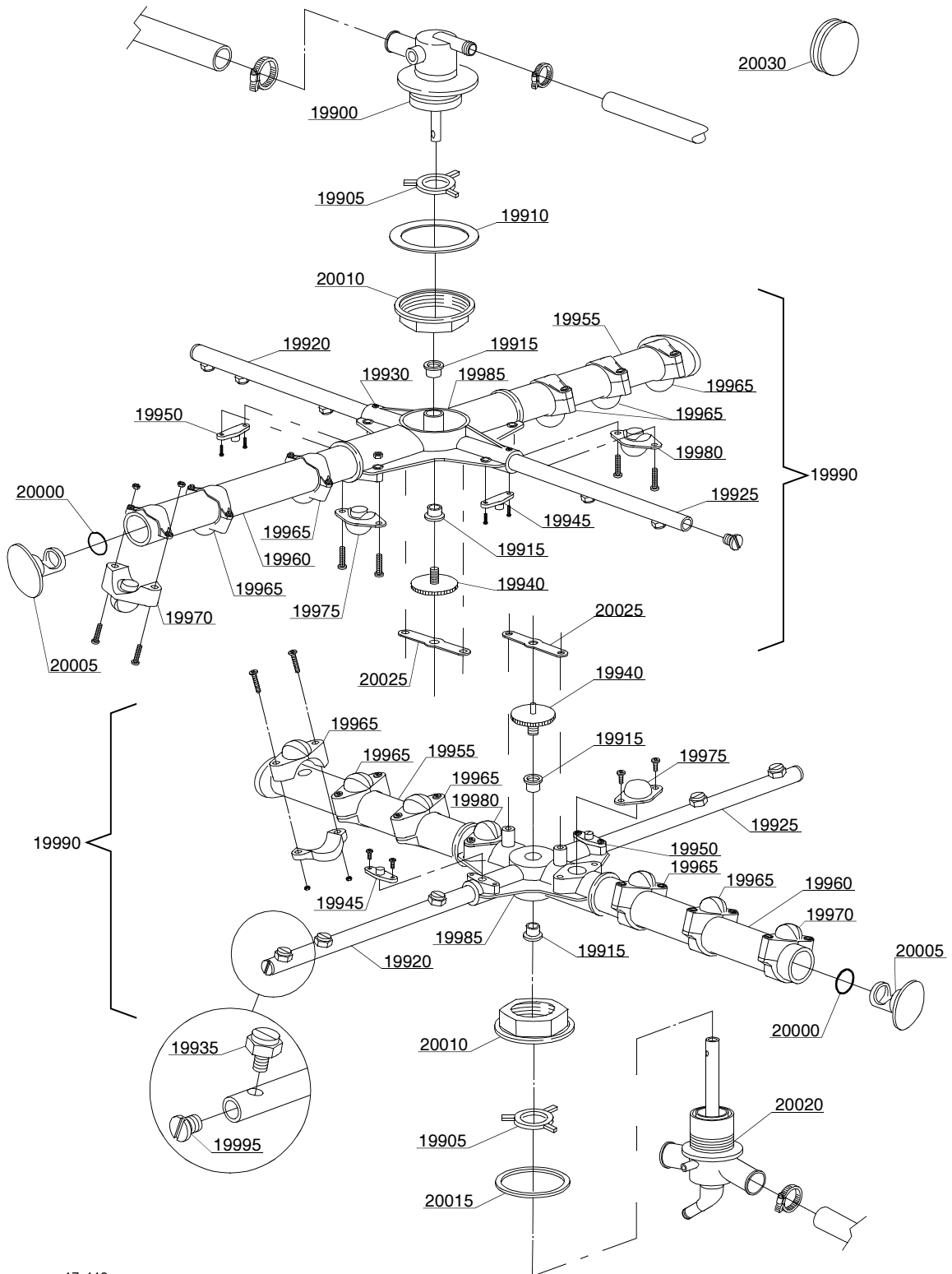
ID	P-code	Model	Type	Accessory	Voltage	Description
MODULE:Drain pump group						
2500	15101		291P	dp		Drain pump
2505	15101/D		291P	dp		Pipe fitting
2510	10727		291P	dp		Drain pipe
2515	18044		291P	dp		O28 top wash pipe



16_001_e

Spare parts

ID	P-code	Model	Type	Accessory	Voltage	Description
MODULE:Pressure switch group with air trap						
2100	10706/A		291P			47-27 pressure switch
2105	135911/E		291P			Grey air trap assembly
2110	13301		291P			Gasket
2115	11702		291P			M8 stainless steel nut



17_113_e

Spare parts

ID	P-code	Model	Type	Accessory	Voltage	Description
MODULE:Turret group with rotating arms						
19900	540072		291P			Top grey turret for rinse rotor
19905	10225		291P			Guide pipe
19910	540034		291P			O57x43x1,5 plane gasket
19915	13319		291P			Sliding washer
19920	561004		291P			Right rinse pipe
19925	561005		291P			Left rinse pipe
19930	11004		291P			4x10 TCB O8 spax toothed screw
19935	560018		291P			Stainless steel rinse nozzle
19940	11101/I		291P			Stainless steel group fixing screw
19945	10267		291P			Head closed rinse nozzle
19950	10263		291P			Head rinse nozzle
19955	561006		291P			Right wash pipe
19960	561007		291P			Left wash pipe
19965	10221		291P			Small raised head wash nozzle
19970	10264		291P			Raised head wash nozzle
19975	10265		291P			Plain head closed wash nozzle
19980	10266		291P			Plain head wash nozzle
19985	10258		291P			Wash rotor
19990	561008		291P			Top/lower wash/rinse group
19995	560017		291P			Rinse arm plug
20000	13016		291P			2018 OR 103 NBR gasket
20005	10256		291P			O18 plastic plug
20010	540010		291P			Turret fixing nut
20015	540032		291P			O57x43x4 turret plane gasket
20020	540068		291P			Lower grey turret for rotor
20025	10260		291P			Blocking ring nut rotor plaque
20030	13316/A		291P			DVGW hole gasket