

# DISHWASHER

ELECTROMECHANICAL SWITCHES  
LOWER WASHING  
LOWER AND UPPER WASHING

TYPE: AQU40

Accessories  
BREAK TANK  
BOOSTER PUMP  
DVGW  
COLD RINSE  
WATER SOFTNER  
DETERGENT DISPENSER  
DRAIN PUMP

---

## Spare Parts Manual

---



## INFORMAZIONI GENERALI

Questo catalogo serve per richiedere con esattezza le parti di ricambio

Nelle ordinazioni indicare:

1) il numero dei codici dei particolari seguito dalla descrizione e la quantità desiderata;

2) Il codice alfa-numerico presente nella seconda colonna della tabella ;

**I disegni delle parti di ricambio sono solo indicativi e non rappresentano il pezzo in oggetto.**

**I dati contenuti in questo catalogo sono indicativi e possono essere soggetti a modifiche senza impegno di preavviso.**

## ALLGEMEINE INFORMATIONEN

Dieser Ersatzteilkatalog dient zur genauen Angabe der Teile bei Ersatzteilbestellungen.

Bei Ersatzbestellung ist folgendes anzugeben:

1) Die Bestellnummer der Ersatzteile mit der entsprechenden Beschreibung genaue Menge;

2) Der alpha-numerischer Code auf der zweiten Reihe in dein Spcluld;

**Die Zeichnungen der Ersatzteile sind nur als Hinweise gedacht und stellen nicht das betroffene Teil dar.**

**Bei den im Katalog angeführten Daten handelt es sich um Anhaltsdaten, die jederzeit, ohne Vorankündigung, geändert werden können.**

## GENERAL INFORMATION

The present spare parts order exactly the right spare parts

When ordering specify:

1) the part's code number followed by its description and quantity needed;

2) The alpha-numeric code is in the second column in the chart;

**Spare parts drawings are general and do not represent the part.**

**The contents of this catalogue are general and can undergo changes without prior notice.**

## INFORMACIONES GENERALES

El presente catálogo sirve para pedir con exactitud las partes de repuesto

En los pedidos se debe indicar:

1) el número de código de la parte y a continuación la descripción cantidad deseada;

2) El código alfanumerico presente en la segnada columna de la tabla;

**Los diseños de las partes de recambio son solo indicativos y no representan la pieza en cuestión.**

**Los datos contenidos en el presente catálogo son indicativos y pueden modificarse sin aviso previo.**

## INFORMATIONS GENERALES

Ce catalogue permet de commander correctement les pièces détachées

Les commandes doivent être passées en indiquant:

1) le numero de code des pièces détachées suivi de leur description quantité désirée;

2) le code alphanumérique dans la deuxième colonne du tableau;

**Les plans des pièces détachées sont fournis seulement à titre indicatif et ne représentent pas la pièce concernée.**

**Les données de ce catalogue sont citées seulement à titre indicatif et peuvent être l'objet de modifications sans avis préalable.**

ESEMPIO  
EXAMPLE  
EXEMPLE  
BEISPIEL

| Rif.               | Codici  |
|--------------------|---------|
| MODULE:Particolari |         |
| 10505              | 540903  |
| 10510              | 540908  |
| 10515              | 15065/A |
| 10520              | 540086  |
| 10525              | 540028  |

**Note**

Tutte le informazioni riportate si intendono aggiornate alla data di stampa. Il Produttore si riserva il diritto di apportare qualsiasi modifica richiesta dallo sviluppo evolutivo dei suddetti prodotti.

Per la sicurezza, la garanzia, l'affidabilità ed il valore della lavastoviglie usa solo ricambi originali. **Per alcuni codici, sono richieste quantità minime d'ordine.**

**Attenzione**

Questo libretto è parte integrante della lavastoviglie e, in caso di passaggio di proprietà, deve essere consegnato al nuovo acquirente.

**Remarque**

Toutes les informations contenues dans ce manuel s'entendent mises à jour à la date d'impression. En raison du développement constant de ses produits, usine se réserve le droit d'apporter à tout instant les modifications qu'elle jugera utiles.

Pour la sécurité, la garantie, la fiabilité et la valeur de votre lavevaisselles n'utilisez que des pièces de rechange d'origine. **Pour quelque référence on demande un minimum de pièces par commande**

**Attention**

Ce manuel doit être considéré comme partie intégrante de la la lavevaisselles, en cas de transfert de propriété, doit toujours être remis au nouveau propriétaire.

**Note**

The information contained herein is valid at the time of going to print. The Company reserves the right to make any changes required by the future development of the above-mentioned products.

For your safety, as well as to preserve the warranty reliability and worth of your dishwashers, use original spare parts only. **For some codes a minimum quantity for order is required.**

**Warning**

This manual forms an integral part of the dishwashers and - if a transfer of title occurs - must always be handed over to the new owner.







**Hinweis**

Die Der Hersteller behält sich das Recht vor, jegliche, durch eine Weiterentwicklung der genannten Produkte bedingte Änderungen vornehmen zu können.

Verwenden Sie für Ihre Sicherheit, die Garantie, die Zuverlässigkeit und den Wert Ihrer machine originale Ersatzteile. **Für bestimmte Code nummer werden mindesten bestellungen verlangt.**

**Achtung**

Diese Betriebsanleitung ist Bestandteile des machine und muss bei seinem Weiterverkauf dem neuen Besitzer ausgehändigt werden.

|  |   |
|--|---|
|    |   |
| <div style="border: 1px solid black; width: 100px; height: 30px; margin-bottom: 5px;"></div>   |   |
| <b>Code</b> 999XYYYY<br><b>Model DESCRIPTION</b><br><b>S/N</b> 04012345 <b>Type</b> .....  | <b>CL/Part</b>   |
| 400VAC3N    50HZ    8A<br>3500W                      500W<br>  16A | <b>TECHICAL SPECIFICATION</b>   |
| Pressione Dinamica alimentazione idrica <b>200-500</b><br>Pression dynamique arrivee d'eau<br>Dynamic pressure water supply<br>Dymanischer Druck asserreinlauf   | <b>MADE IN ITALY</b>  |
| Pressione dinamica vapore saturo<br>Pression dynamique vapeur satueeè<br>Dymanischer Druck gesattigter Dampf<br>Pression Dinamica Vapor Saturado   | Temperatura massima acqua in ingresso <b>60°C</b><br>Temperature max eau a l'entre<br>Maximale Temperatur Wasseranschlu<br>Maximum Water temperature in-feeding |
| <b>Model</b>    | <b>S/N</b>    |

**CODE 999 XX YYYY**

FAMIGLIA PRODOTTO  
 FAMILY PRODUCT  
 FAMILLE DU PRODUIT  
 FAMILIA PRODUCTO  
 FAMILIE DES PRODUKTES

CODICE MODELLO  
 CODE MODEL  
 CODE ARTICLE  
 CODIGO MODELO  
 KODE VON MODELL

**S/N 04 012345**

ANNO  
 YEAR  
 ANNÉE  
 AN<sup>o</sup>  
 JAHR

NUMERO DI SERIE  
 SERIAL NUMBER  
 NUMÉRO DI SÉRIE  
 NUMERO DI SERIE  
 SERIENNUMMER



## 1. Spare parts

|                                  |    |
|----------------------------------|----|
| General body parts.....          | 7  |
| Lockup system .....              | 9  |
| Control panel and switches.....  | 11 |
| Electric control components..... | 13 |
| Solenoid valve group .....       | 15 |
| Solenoid valve group .....       | 17 |
| Break Tank .....                 | 19 |
| Booster pump.....                | 21 |
| DVGW .....                       | 23 |
| Water softner group.....         | 25 |
| Rinse aid dispenser group.....   | 27 |
| Boiler group .....               | 29 |
| 3 ways connection .....          | 31 |
| 4 ways connection .....          | 33 |
| Wash pump .....                  | 35 |
| Wash pump .....                  | 37 |

---

|  |           |
|--|-----------|
| <b>Dosing detergent group.....</b>             | <b>39</b> |
| <b>Drain pump group.....</b>                   | <b>41</b> |
| <b>Pressure switch group with air trap ...</b> | <b>43</b> |
| <b>Turret group with rotating arms .....</b>   | <b>45</b> |
| <b>Turret group with rotating arms .....</b>   | <b>49</b> |

## 1.1 Voltage codes

| Volt | Voltage code            |
|------|-------------------------|
| A    | 3/N/PE~380-400V 50-60Hz |
| D    | 3/PE~200-210V 50-60Hz   |
| F    | 2/PE~220-240V 50-60Hz   |
| G    | 3/N/PE~415V 50-60Hz     |
| H    | 3/PE~220-230V 50-60Hz   |
| K    | 3/PE~380-400V 50-60Hz   |
| L    | 3/PE~415V 50-60Hz       |
| M    | 3/PE~440V 60Hz          |
| P    | 1/N/PE~220-230V 50-60Hz |
| R    | 2/PE~220-240V 50-60Hz   |
| U    | 1/N/PE~240V 50-60Hz     |
| V    | 3/PE~240V 50-60Hz       |
| W    | 1/N/PE~100-110V 50-60Hz |

## 1.2 Product codes

| Product code    | Full name                  |
|-----------------|----------------------------|
| Model codes     |                            |
| em              | ELECTROMECHANICAL SWITCHES |
| lw              | LOWER WASHING              |
| uw              | LOWER AND UPPER WASHING    |
| Type codes      |                            |
| AQU40           | AQU40                      |
| Accessory codes |                            |
| bt              | BREAK TANK                 |
| bp              | BOOSTER PUMP               |
| dvgw            | DVGW                       |
| cr              | COLD RINSE                 |
| ws              | WATER SOFTNER              |
| dd              | DETERGENT DISPENSER        |
| dp              | DRAIN PUMP                 |



## Spare parts

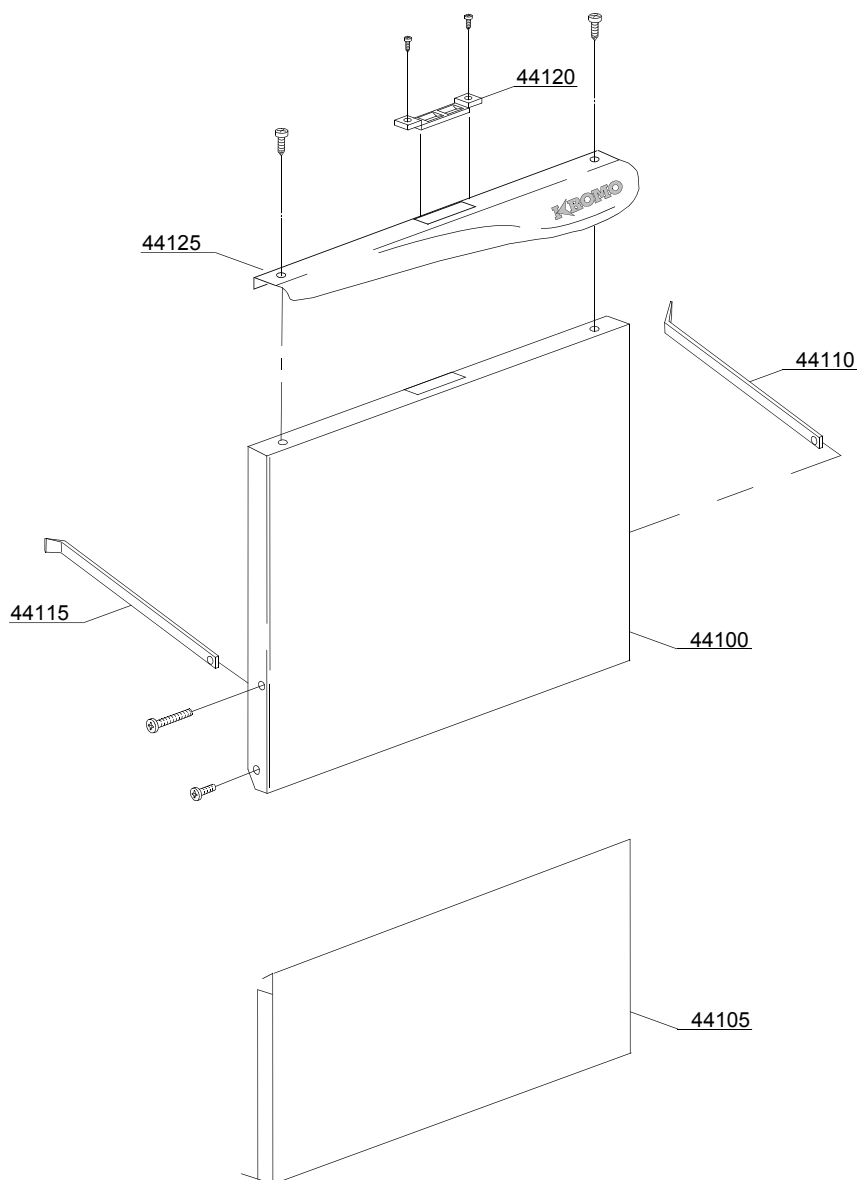
| ID                               | P-code   | SN from | SN to | Mod. | Acces. | Volt | Description                                  |
|----------------------------------|----------|---------|-------|------|--------|------|--|
| <b>Module:General body parts</b> |          |         |       |      |        |      |  |
| 30850                            | 270033   |         | -     |      |        |      | Cover  |
| 30855                            | 270015   |         | -     |      |        |      | Back panel                                   |
| 30860                            | 270000   |         | -     |      |        |      | Body   |
| 30860                            | 270001   |         | -     |      | ws     |      | Body   |
| 30865                            | 15065/A  |         | -     |      |        |      | Cable-fastener with screw                    |
| 30870                            | 540002   |         | -     |      |        |      | Filter for top body                          |
| 30875                            | 540000/A |         | -     |      |        |      | Top filter body                              |
| 30880                            | 13305    |         | -     |      |        |      | 44x32x3 O-ring (minimum 5 pieces)            |
| 30885                            | 11701/A  |         | -     |      |        |      | Stainless steel nut                          |
| 30890                            | 10850    |         | -     |      |        |      | M10x25 Ø40 black foot (minimum 4 pieces)     |
| 30895                            | 16052    |         | -     |      |        |      | Overflow pipe                                |
| 30905                            | 10701    |         | -     |      |        |      | Drain elbow                                  |
| 30910                            | 16035/A  |         | -     |      |        |      | 1,85/2,02KW 230/240V heating element         |
| 30915                            | 10713    |         | -     |      |        |      | 3x2,5x2500 cable                             |
| 30920                            | 150401   |         | -     |      |        |      | Door rod slide (minimum 4 pieces)            |
| 30925                            | 150402   |         | -     |      |        |      | Door jack assembly                           |
| 30930                            | 150403   |         | -     |      |        |      | Door jack O-ring (minimum 5 pieces)          |
| 30935                            | 270004   |         | -     |      |        |      | Door O-ring angular                          |
| 30940                            | 135206   |         | -     |      |        |      | Door O-ring                                  |
| 30945                            | 13317    |         | -     |      |        |      | Ø40mm lead through rubber (minimum 2 pieces) |
| 30950                            | 13323    |         | -     |      |        |      | Ø13mm lead through rubber (minimum 2 pieces) |
| 30955                            | 270031   |         | -     |      |        |      | Left cover back support                      |
| 30960                            | 270032   |         | -     |      |        |      | Right cover back support                     |
| 30965                            | 270002   |         | -     |      |        |      | Right/left internal slide                    |
| 30970                            | 270003   |         | -     |      |        |      | Right/left internal slide                    |
| 30975                            | 11701/B  |         | -     |      |        |      | Stainless steel nut                          |
| 30980                            | 440751   |         | -     |      |        |      | Drain pump stainless steel filter            |

em=ELECTROMECHANICAL SWITCHES, lw=LOWER WASHING, uw=LOWER AND UPPER WASHING

AQU40=AQU40

bt=BREAK TANK, bp=BOOSTER PUMP, dvgw=DVGW, cr=COLD RINSE, ws=WATER SOFTNER, dd=DETERGENT DISPENSER, dp=DRAIN PUMP

A=3/N/PE~380-400V 50-60Hz, D=3/PE~200-210V 50-60Hz, F=2/PE~220-240V 50-60Hz, G=3/N/PE~415V 50-60Hz, H=3/PE~220-230V 50-60Hz, K=3/PE~380-400V 50-60Hz, L=3/PE~415V 50-60Hz, M=3/PE~440V 60Hz, P=1/N/PE~220-230V 50-60Hz, R=2/PE~220-240V 50-60Hz, U=1/N/PE~240V 50-60Hz, V=3/PE~240V 50-60Hz, W=1/N/PE~100-110V 50-60Hz



02\_127\_e

## Spare parts

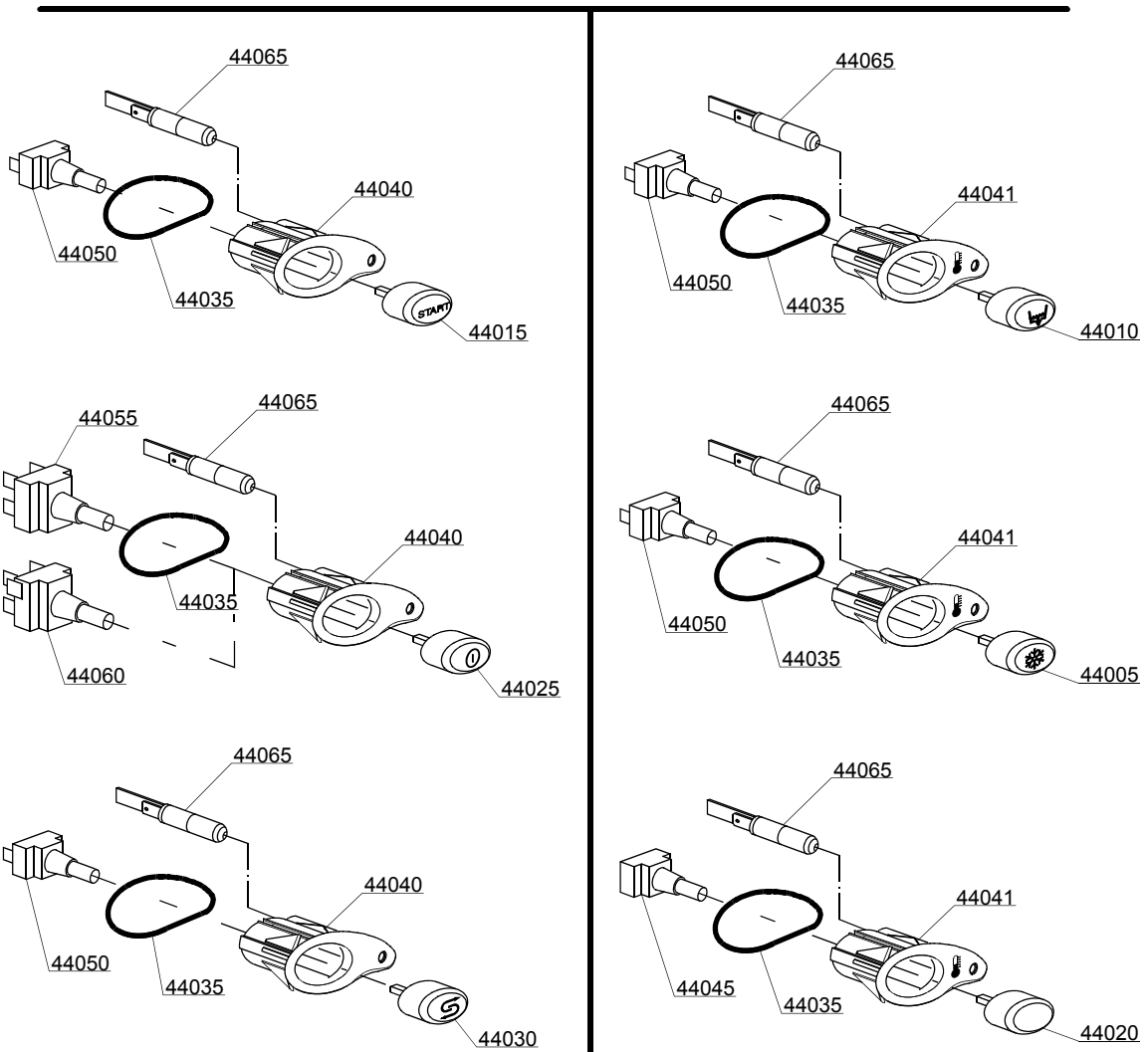
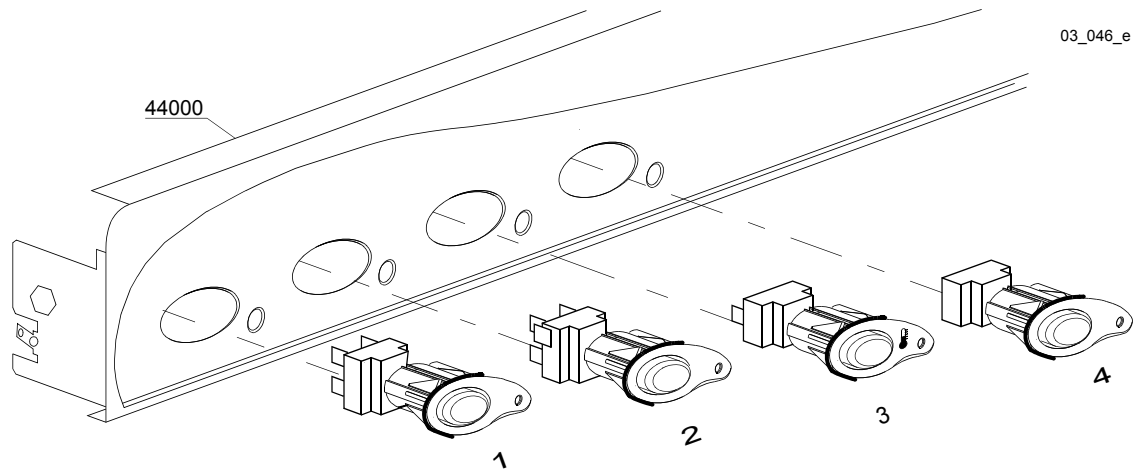
| ID                           | P-code   | SN from | SN to | Mod. | Acces. | Volt | Description            |
|------------------------------|----------|---------|-------|------|--------|------|------------------------|
| <b>Module: Lockup system</b> |          |         |       |      |        |      |                        |
| 44100                        | 270005   |         | -     |      |        |      | Door                   |
| 44105                        | 270016   |         | -     |      |        |      | Lower door             |
| 44110                        | 250006   |         | -     |      |        |      | Right door rod         |
| 44115                        | 250007   |         | -     |      |        |      | Left door rod          |
| 44120                        | 150402/D |         | -     |      |        |      | Door jack              |
| 44125                        | 270011   |         | -     |      |        |      | Stainless steel handle |

em=ELECTROMECHANICAL SWITCHES, lw=LOWER WASHING, uw=LOWER AND UPPER WASHING

AQU40=AQU40

bt=BREAK TANK, bp=BOOSTER PUMP, dvgw=DVGW, cr=COLD RINSE, ws=WATER SOFTNER, dd=DETERGENT DISPENSER, dp=DRAIN PUMP

A=3/N/PE~380-400V 50-60Hz, D=3/PE~200-210V 50-60Hz, F=2/PE~220-240V 50-60Hz, G=3/N/PE~415V 50-60Hz, H=3/PE~220-230V 50-60Hz, K=3/PE~380-400V 50-60Hz, L=3/PE~415V 50-60Hz, M=3/PE~440V 60Hz, P=1/N/PE~220-230V 50-60Hz, R=2/PE~220-240V 50-60Hz, U=1/N/PE~240V 50-60Hz, V=3/PE~240V 50-60Hz, W=1/N/PE~100-110V 50-60Hz



## Spare parts

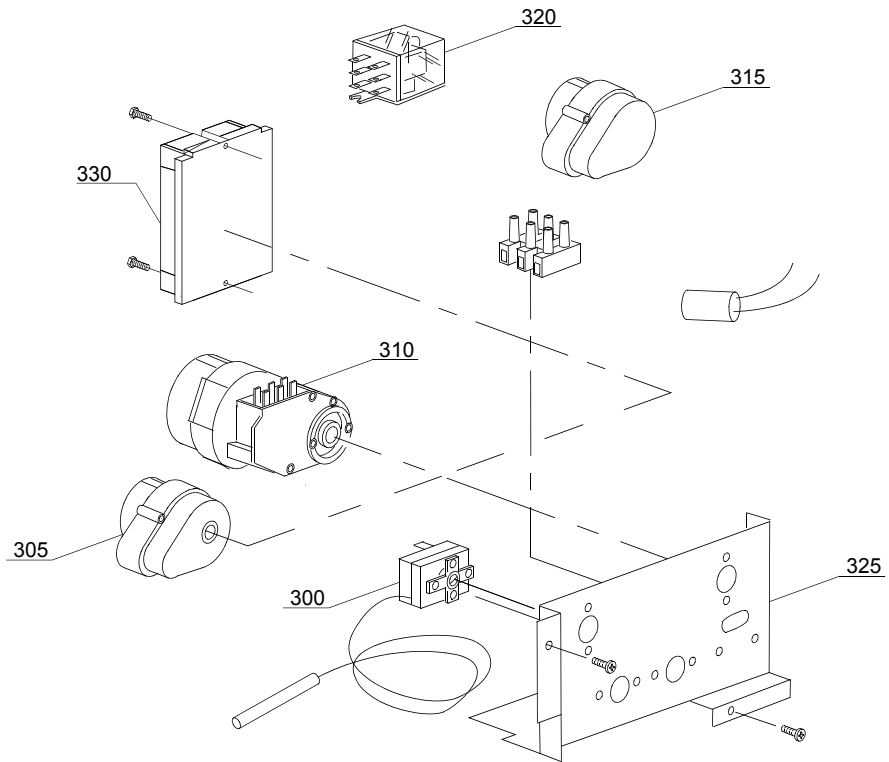
| ID                                       | P-code  | SN from | SN to | Mod. | Acces. | Volt | Description                         |
|--|---------|---------|-------|------|--------|------|-------------------------------------|
| <b>Module:Control panel and switches</b> |         |         |       |      |        |      |                                     |
| 44000                                    | 270030  |         | -     | em   |        |      | Control panel                       |
| 44005                                    | 89344   |         | -     | em   | cr     |      | Touche chaud/froid                  |
| 44010                                    | 89343   |         | -     | em   | dp     |      | Drain pump push button (OPTIONAL)   |
| 44015                                    | 89341   |         | -     | em   |        |      | START push button                   |
| 44020                                    | 89348   |         | -     | em   |        |      | Blind push button                   |
| 44025                                    | 89340   |         | -     | em   |        |      | ON-OFF push button                  |
| 44030                                    | 89345   |         | -     | em   | ws     |      | Regeneration push button (OPTIONAL) |
| 44035                                    | 86006   |         | -     | em   |        |      | OR O-ring                           |
| 44040                                    | 86001   |         | -     | em   |        |      | Push button support                 |
| 44040                                    | 86002   |         | -     | em   |        |      | Temperature push button support     |
| 44045                                    | 15844   |         | -     | em   |        |      | Push button support                 |
| 44050                                    | 15813   |         | -     | em   |        |      | 16A unipolar switch                 |
| 44055                                    | 15812   |         | -     | em   |        |      | 16A bipolar switch                  |
| 44055                                    | 15800   |         | -     | em   |        |      | 16A switch                          |
| 44060                                    | 15811   |         | -     | em   |        |      | 16A bipolar switch                  |
| 44060                                    | 15811/A |         | -     | em   |        |      | 16A bipolar switch                  |
| 44065                                    | 15826   |         | -     | em   |        |      | Pilot light                         |

em=ELECTROMECHANICAL SWITCHES, lw=LOWER WASHING, uw=LOWER AND UPPER WASHING

AQU40=AQU40

bt=BREAK TANK, bp=BOOSTER PUMP, dvgw=DVGW, cr=COLD RINSE, ws=WATER SOFTNER, dd=DETERGENT DISPENSER, dp=DRAIN PUMP

A=3/N/PE~380-400V 50-60Hz, D=3/PE~200-210V 50-60Hz, F=2/PE~220-240V 50-60Hz, G=3/N/PE~415V 50-60Hz, H=3/PE~220-230V 50-60Hz, K=3/PE~380-400V 50-60Hz, L=3/PE~415V 50-60Hz, M=3/PE~440V 60Hz, P=1/N/PE~220-230V 50-60Hz, R=2/PE~220-240V 50-60Hz, U=1/N/PE~240V 50-60Hz, V=3/PE~240V 50-60Hz, W=1/N/PE~100-110V 50-60Hz



04\_007\_e

## Spare parts

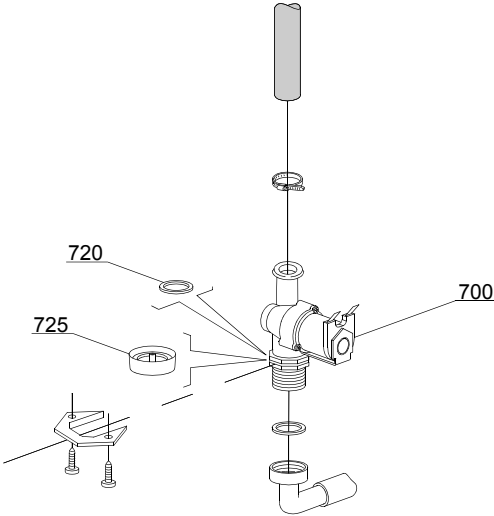
| ID  | P-code  | SN from | SN to | Mod. | Acces. | Volt | Description                                |
|---|---------|---------|-------|------|--------|------|--|
| <b>Module:Electric control components</b> |         |         |       |      |        |      |  |
| 300                                       | 10707/1 |         | -     |      |        |      | 0-90°C thermostat                          |
| 305                                       | 10708/L |         | -     |      |        |      | 120" timer - 230Vac 50Hz                   |
| 315                                       | 16064/A |         | -     |      | ws     |      | Regeneration timer                         |
| 320                                       | 16047   |         | -     |      |        |      | Tripolar relay 16A - 230Vac 50/60 Hz       |
| 325                                       | 260018  |         | -     |      |        |      | Electric component panel                   |
| 330                                       | 50553   |         |       |      |        |      | 3 times electronic timer with regeneration |

em=ELECTROMECHANICAL SWITCHES, lw=LOWER WASHING, uw=LOWER AND UPPER WASHING

AQU40=AQU40

bt=BREAK TANK, bp=BOOSTER PUMP, dvgw=DVGW, cr=COLD RINSE, ws=WATER SOFTNER, dd=DETERGENT DISPENSER, dp=DRAIN PUMP

A=3/N/PE~380-400V 50-60Hz, D=3/PE~200-210V 50-60Hz, F=2/PE~220-240V 50-60Hz, G=3/N/PE~415V 50-60Hz, H=3/PE~220-230V 50-60Hz, K=3/PE~380-400V 50-60Hz, L=3/PE~415V 50-60Hz, M=3/PE~440V 60Hz, P=1/N/PE~220-230V 50-60Hz, R=2/PE~220-240V 50-60Hz, U=1/N/PE~240V 50-60Hz, V=3/PE~240V 50-60Hz, W=1/N/PE~100-110V 50-60Hz



05\_002\_e

## Spare parts

---

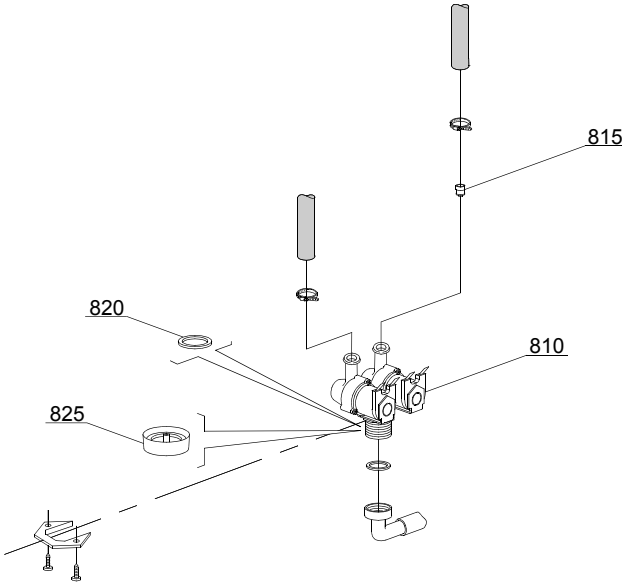
| ID                                 | P-code | SN from | SN to | Mod. | Acces. | Volt | Description                    |
|------------------------------------|--------|---------|-------|------|--------|------|--------------------------------|
| <b>Module:Solenoid valve group</b> |        |         |       |      |        |      |                                |
| 700                                | 10703  |         | -     | em   |        |      | Single solenoid valve - 220Vac |
| 720                                | N.C.   |         | -     | em   |        |      | Pression reducing valve        |

em=ELECTROMECHANICAL SWITCHES, lw=LOWER WASHING, uw=LOWER AND UPPER WASHING

AQU40=AQU40

bt=BREAK TANK, bp=BOOSTER PUMP, dvgw=DVGW, cr=COLD RINSE, ws=WATER SOFTNER, dd=DETERGENT DISPENSER, dp=DRAIN PUMP

A=3/N/PE~380-400V 50-60Hz, D=3/PE~200-210V 50-60Hz, F=2/PE~220-240V 50-60Hz, G=3/N/PE~415V 50-60Hz, H=3/PE~220-230V 50-60Hz, K=3/PE~380-400V 50-60Hz, L=3/PE~415V 50-60Hz, M=3/PE~440V 60Hz, P=1/N/PE~220-230V 50-60Hz, R=2/PE~220-240V 50-60Hz, U=1/N/PE~240V 50-60Hz, V=3/PE~240V 50-60Hz, W=1/N/PE~100-110V 50-60Hz



05\_003\_e

## Spare parts

| ID                                 | P-code | SN from | SN to | Mod. | Acces. | Volt | Description                                      |
|------------------------------------|--------|---------|-------|------|--------|------|--|
| <b>Module:Solenoid valve group</b> |        |         |       |      |        |      |  |
| 810                                | 15098  |         | -     | em   | cr,ws  |      | Double solenoid valve - Ø10 - 220Vac             |
| 815                                | 15115  |         | -     | em   | cr,ws  |      | Green pression solenoid valve (minimum 2 pieces) |
| 820                                | N.C.   |         | -     | em   | cr,ws  |      | Pression reducing valve                          |
| 825                                | 15315  |         | -     |      | cr,ws  |      | Red pression reducing valve (minimum 2 pieces)   |

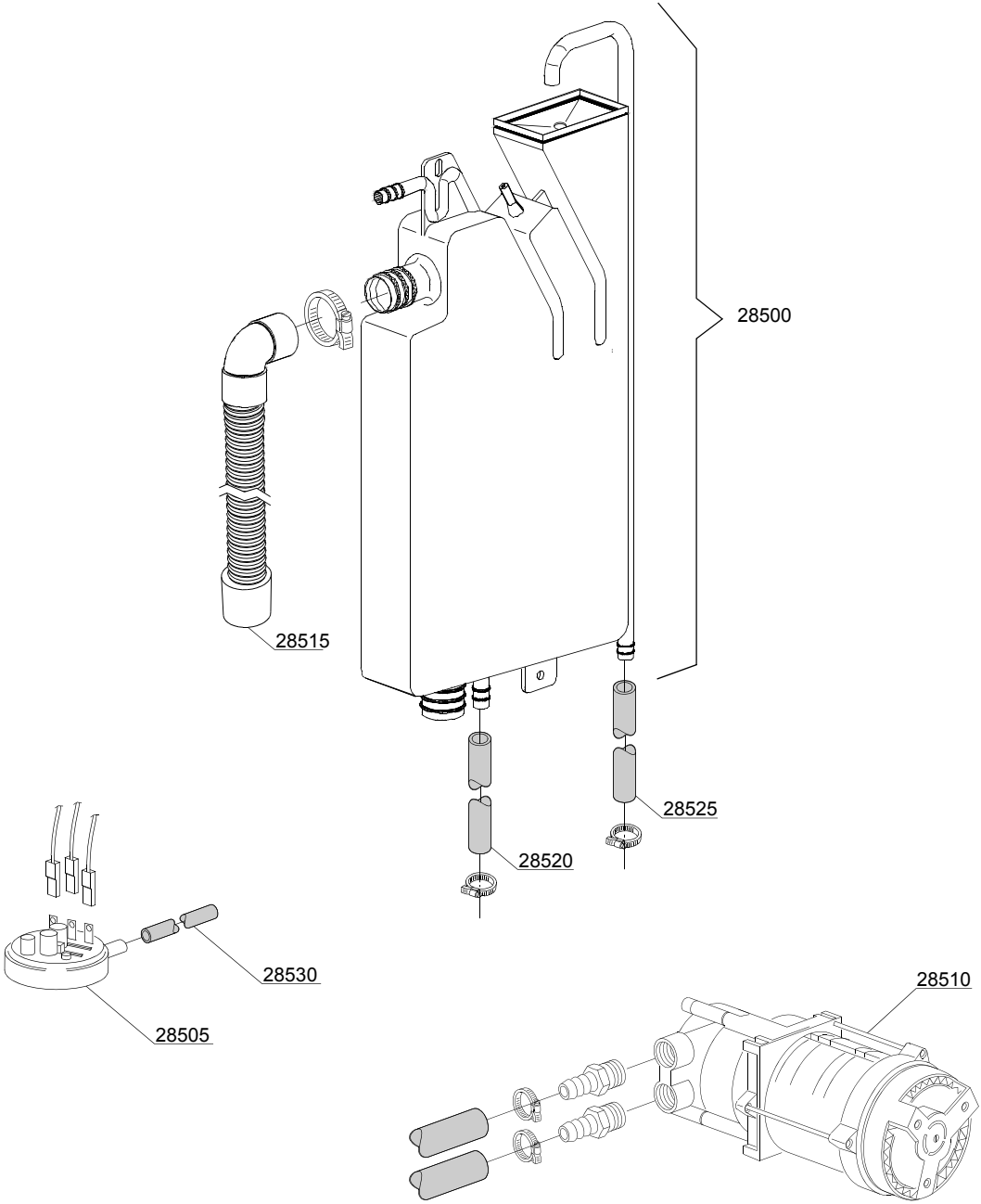
em=ELECTROMECHANICAL SWITCHES, lw=LOWER WASHING, uw=LOWER AND UPPER WASHING

AQU40=AQU40

bt=BREAK TANK, bp=BOOSTER PUMP, dvgw=DVGW, cr=COLD RINSE, ws=WATER SOFTNER, dd=DETERGENT DISPENSER, dp=DRAIN PUMP

A=3/N/PE~380-400V 50-60Hz, D=3/PE~200-210V 50-60Hz, F=2/PE~220-240V 50-60Hz, G=3/N/PE~415V 50-60Hz, H=3/PE~220-230V 50-60Hz, K=3/PE~380-400V 50-60Hz, L=3/PE~415V 50-60Hz, M=3/PE~440V 60Hz, P=1/N/PE~220-230V 50-60Hz, R=2/PE~220-240V 50-60Hz, U=1/N/PE~240V 50-60Hz, V=3/PE~240V 50-60Hz, W=1/N/PE~100-110V 50-60Hz

06\_004ae



## Spare parts

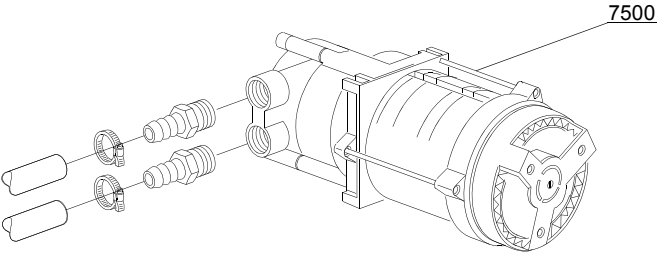
| ID                       | P-code  | SN from | SN to | Mod. | Acces. | Volt | Description                           |
|--------------------------|---------|---------|-------|------|--------|------|---------------------------------------|
| <b>Module:Break Tank</b> |         |         |       |      |        |      |                                       |
| 28500                    | 15735   |         | -     |      | bt     |      | Break tank assembly                   |
| 28505                    | 10706/A |         | -     |      | bt     |      | 47-27 pressure switch                 |
| 28510                    | 15100/D |         | -     |      | bt     |      | Booster pump 220/240V                 |
| 28515                    | 15721   |         | -     |      | bt     |      | BT long pipe L=1070                   |
| 28515                    | 15722   |         | -     |      | bt     |      | BT middle pipe L=920                  |
| 28515                    | 15723   |         | -     |      | bt     |      | BT small pipe L=920                   |
| 28520                    | 2907350 |         | -     |      | bt     |      | 12x20 EPDM rubber hose                |
| 28525                    | 2907352 |         | -     |      | bt     |      | PVC WRAS rubber hose                  |
| 28530                    | 14508   |         | -     |      | bt     |      | 4,5x9 EPDM rubber hose (minimum 2 mt) |

em=ELECTROMECHANICAL SWITCHES, lw=LOWER WASHING, uw=LOWER AND UPPER WASHING

AQU40=AQU40

bt=BREAK TANK, bp=BOOSTER PUMP, dvgw=DVGW, cr=COLD RINSE, ws=WATER SOFTNER, dd=DETERGENT DISPENSER, dp=DRAIN PUMP

A=3/N/PE~380-400V 50-60Hz, D=3/PE~200-210V 50-60Hz, F=2/PE~220-240V 50-60Hz, G=3/N/PE~415V 50-60Hz, H=3/PE~220-230V 50-60Hz, K=3/PE~380-400V 50-60Hz, L=3/PE~415V 50-60Hz, M=3/PE~440V 60Hz, P=1/N/PE~220-230V 50-60Hz, R=2/PE~220-240V 50-60Hz, U=1/N/PE~240V 50-60Hz, V=3/PE~240V 50-60Hz, W=1/N/PE~100-110V 50-60Hz



07\_003\_e

## Spare parts

---

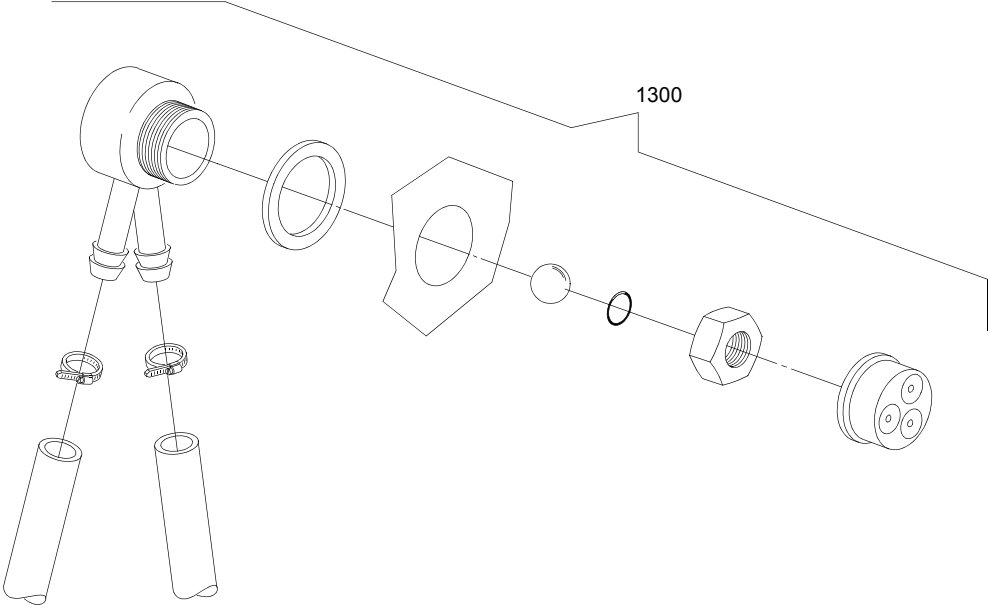
| ID                         | P-code  | SN from | SN to | Mod. | Acces. | Volt | Description           |
|----------------------------|---------|---------|-------|------|--------|------|-----------------------|
| <b>Module:Booster pump</b> |         |         |       |      |        |      |                       |
| 7500                       | 15100/D |         | -     | em   | bp     |      | Booster pump 220/240V |

em=ELECTROMECHANICAL SWITCHES, lw=LOWER WASHING, uw=LOWER AND UPPER WASHING

AQU40=AQU40

bt=BREAK TANK, bp=BOOSTER PUMP, dvgw=DVGW, cr=COLD RINSE, ws=WATER SOFTNER, dd=DETERGENT DISPENSER, dp=DRAIN PUMP

A=3/N/PE~380-400V 50-60Hz, D=3/PE~200-210V 50-60Hz, F=2/PE~220-240V 50-60Hz, G=3/N/PE~415V 50-60Hz, H=3/PE~220-230V 50-60Hz, K=3/PE~380-400V 50-60Hz, L=3/PE~415V 50-60Hz, M=3/PE~440V 60Hz, P=1/N/PE~220-230V 50-60Hz, R=2/PE~220-240V 50-60Hz, U=1/N/PE~240V 50-60Hz, V=3/PE~240V 50-60Hz, W=1/N/PE~100-110V 50-60Hz



08\_005\_e

## Spare parts

---

| ID                 | P-code    | SN from | SN to | Mod. | Acces. | Volt | Description   |
|--------------------|-----------|---------|-------|------|--------|------|---------------|
| <b>Module:DVGW</b> |           |         |       |      |        |      |               |
| 1300               | 999900006 |         | -     |      | dvgw   |      | DVGW assembly |

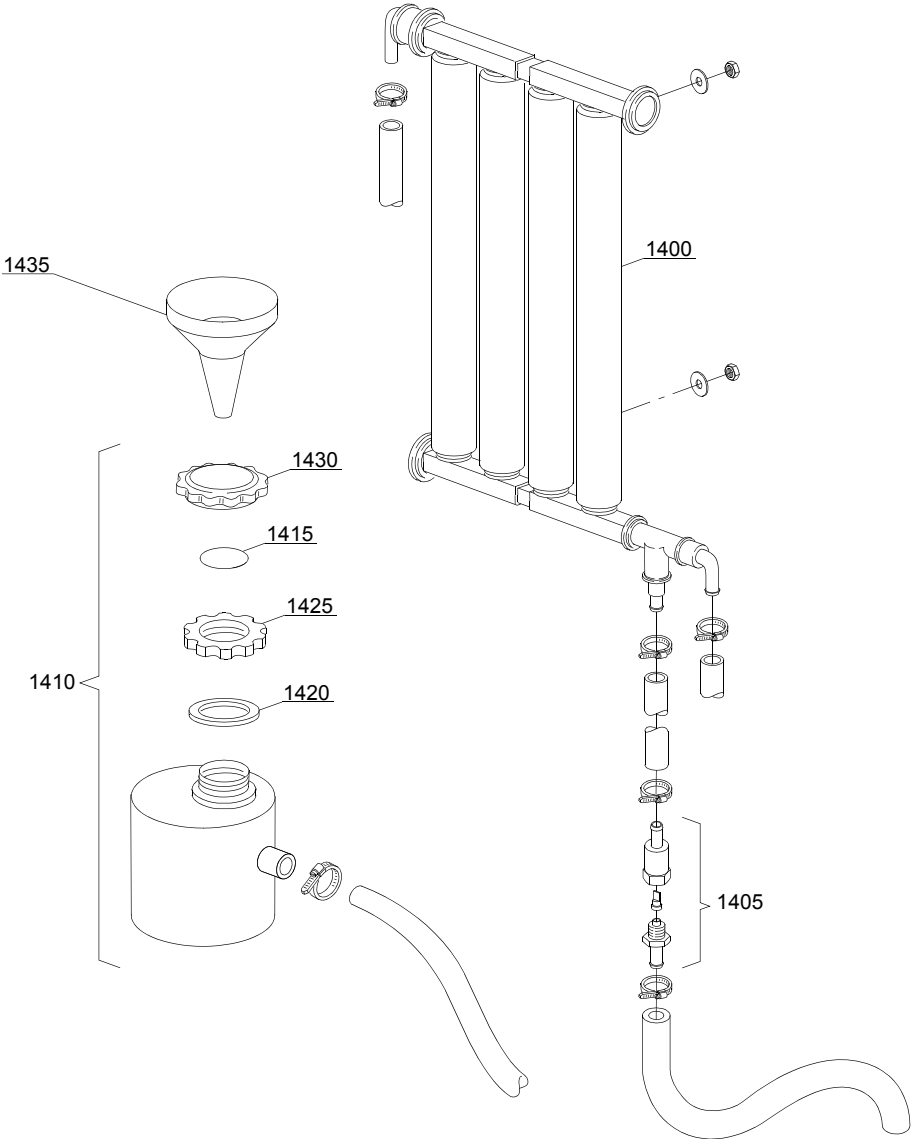
em=ELECTROMECHANICAL SWITCHES, lw=LOWER WASHING, uw=LOWER AND UPPER WASHING

AQU40=AQU40

bt=BREAK TANK, bp=BOOSTER PUMP, dvgw=DVGW, cr=COLD RINSE, ws=WATER SOFTNER, dd=DETERGENT DISPENSER, dp=DRAIN PUMP

A=3/N/PE~380-400V 50-60Hz, D=3/PE~200-210V 50-60Hz, F=2/PE~220-240V 50-60Hz, G=3/N/PE~415V 50-60Hz, H=3/PE~220-230V 50-60Hz, K=3/PE~380-400V 50-60Hz, L=3/PE~415V 50-60Hz, M=3/PE~440V 60Hz, P=1/N/PE~220-230V 50-60Hz, R=2/PE~220-240V 50-60Hz, U=1/N/PE~240V 50-60Hz, V=3/PE~240V 50-60Hz, W=1/N/PE~100-110V 50-60Hz

09\_001\_e



## Spare parts

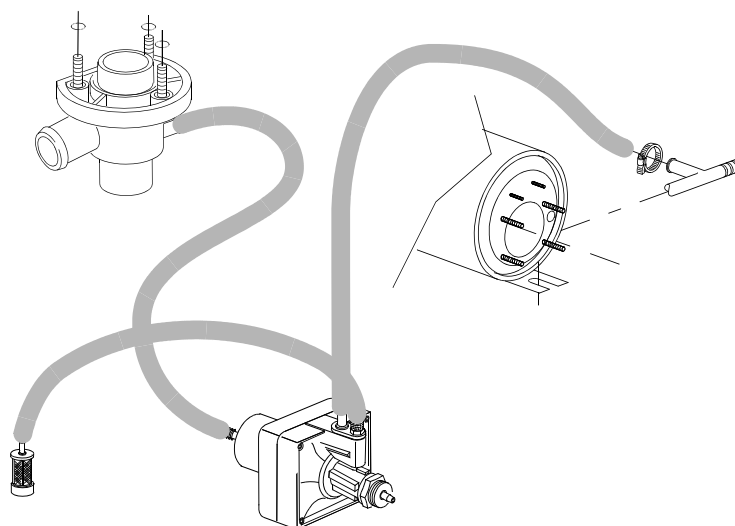
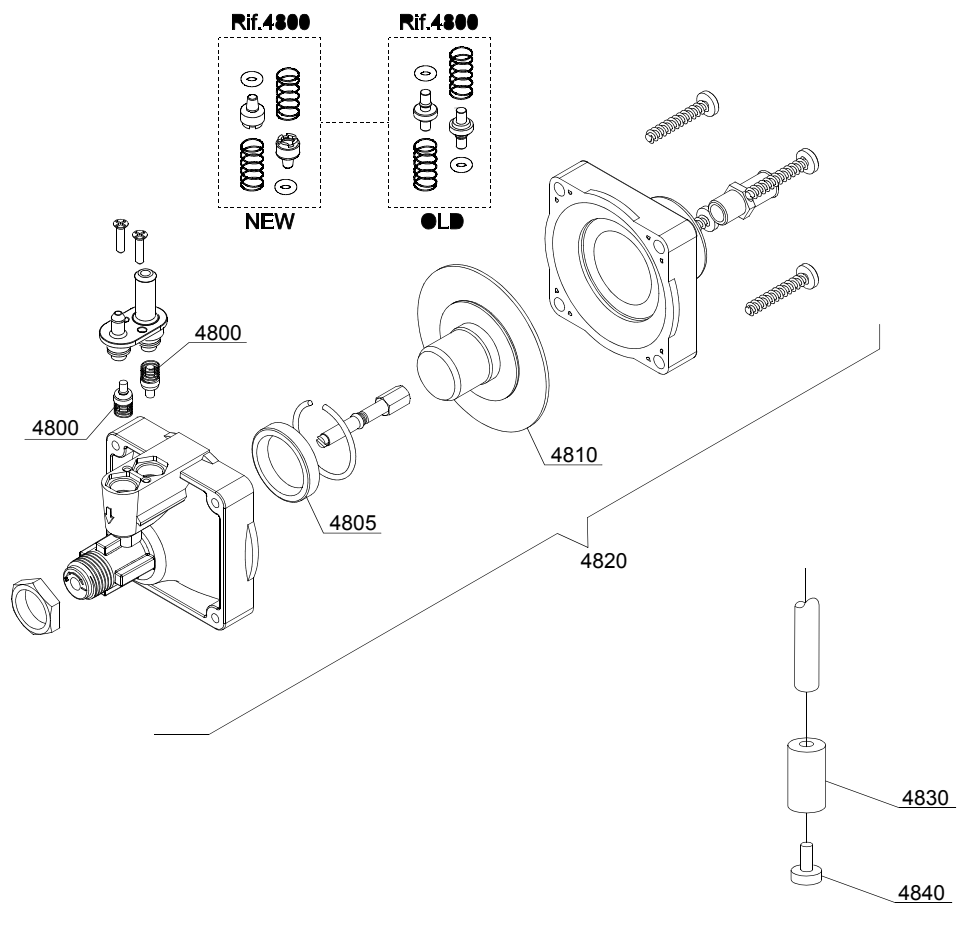
| ID                                 | P-code  | SN from | SN to | Mod. | Acces. | Volt | Description              |
|------------------------------------|---------|---------|-------|------|--------|------|--------------------------|
| <b>Module: Water softner group</b> |         |         |       |      |        |      |                          |
| 1400                               | 16066   |         | -     |      | ws     |      | 4 elements water softner |
| 1405                               | 16070   |         | -     |      | ws     |      | Nonreturn valve          |
| 1410                               | 16065   |         | -     |      | ws     |      | Salt container           |
| 1415                               | 16067/A |         | -     |      | ws     |      | OR O-ring                |
| 1420                               | 16067/B |         | -     |      | ws     |      | O-ring                   |
| 1425                               | 16067/C |         | -     |      | ws     |      | Ring nut                 |
| 1430                               | 16067/D |         | -     |      | ws     |      | Plug                     |
| 1435                               | 16082   |         | -     |      | ws     |      | Funnel                   |

em=ELECTROMECHANICAL SWITCHES, lw=LOWER WASHING, uw=LOWER AND UPPER WASHING

AQU40=AQU40

bt=BREAK TANK, bp=BOOSTER PUMP, dvgw=DVGW, cr=COLD RINSE, ws=WATER SOFTNER, dd=DETERGENT DISPENSER, dp=DRAIN PUMP

A=3/N/PE~380-400V 50-60Hz, D=3/PE~200-210V 50-60Hz, F=2/PE~220-240V 50-60Hz, G=3/N/PE~415V 50-60Hz, H=3/PE~220-230V 50-60Hz, K=3/PE~380-400V 50-60Hz, L=3/PE~415V 50-60Hz, M=3/PE~440V 60Hz, P=1/N/PE~220-230V 50-60Hz, R=2/PE~220-240V 50-60Hz, U=1/N/PE~240V 50-60Hz, V=3/PE~240V 50-60Hz, W=1/N/PE~100-110V 50-60Hz



10\_004\_e

## Spare parts

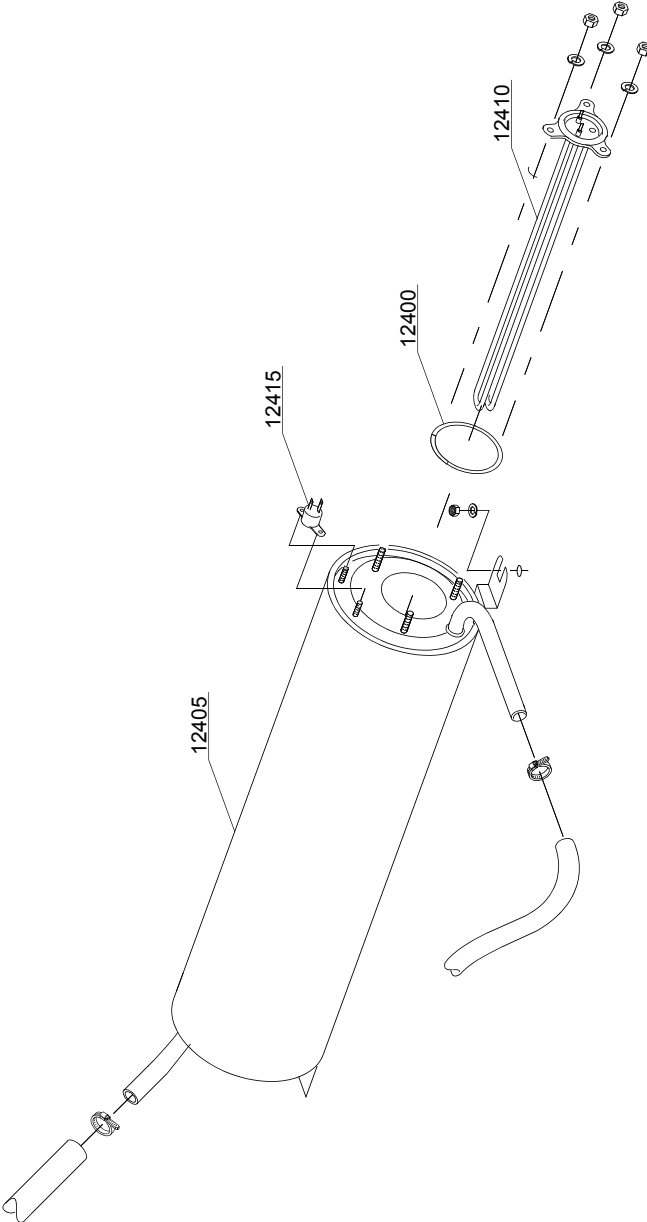
| ID                                       | P-code | SN from | SN to | Mod. | Acces. | Volt | Description                     |
|--|--------|---------|-------|------|--------|------|---------------------------------|
| <b>Module: Rinse aid dispenser group</b> |        |         |       |      |        |      |                                 |
| 4800                                     | 10805  |         | -     |      |        |      | Tecnopro non return valve       |
| 4805                                     | 10806  |         | -     |      |        |      | Ø22 O-ring                      |
| 4810                                     | 10807  |         | -     |      |        |      | Membrane                        |
| 4820                                     | 10799  |         | -     |      |        |      | Rinse aid dispenser             |
| 4830                                     | 12525  |         | -     |      |        |      | Counter-weight                  |
| 4840                                     | 15058  |         | -     |      |        |      | Small filter (minimum 3 pieces) |

em=ELECTROMECHANICAL SWITCHES, lw=LOWER WASHING, uw=LOWER AND UPPER WASHING

AQU40=AQU40

bt=BREAK TANK, bp=BOOSTER PUMP, dvgw=DVGW, cr=COLD RINSE, ws=WATER SOFTNER, dd=DETERGENT DISPENSER, dp=DRAIN PUMP

A=3/N/PE~380-400V 50-60Hz, D=3/PE~200-210V 50-60Hz, F=2/PE~220-240V 50-60Hz, G=3/N/PE~415V 50-60Hz, H=3/PE~220-230V 50-60Hz, K=3/PE~380-400V 50-60Hz, L=3/PE~415V 50-60Hz, M=3/PE~440V 60Hz, P=1/N/PE~220-230V 50-60Hz, R=2/PE~220-240V 50-60Hz, U=1/N/PE~240V 50-60Hz, V=3/PE~240V 50-60Hz, W=1/N/PE~100-110V 50-60Hz



11\_007\_e

## Spare parts

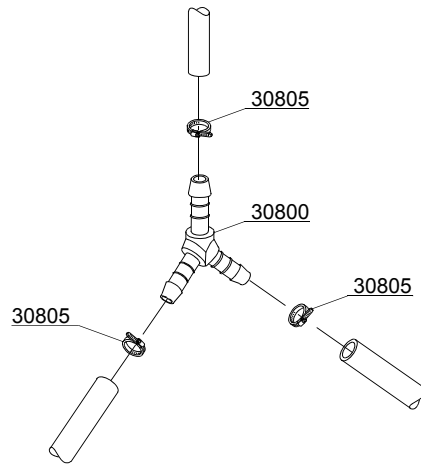
| ID                         | P-code  | SN from | SN to | Mod. | Acces. | Volt | Description                         |
|----------------------------|---------|---------|-------|------|--------|------|-------------------------------------|
| <b>Module:Boiler group</b> |         |         |       |      |        |      |                                     |
| 12400                      | 13010   |         | -     |      |        |      | OR O-ring (minimum 5 pieces)        |
| 12405                      | 140905  |         | -     |      |        |      | Boiler                              |
| 12410                      | 18206/D |         | -     |      |        |      | 2,8/3,05KW 230/240V heating element |
| 12410                      | 18215   |         | -     |      |        |      | 4/4,36KW 230/240V 3 heating element |
| 12415                      | 15550   |         | -     |      |        |      | Safety thermostat                   |

em=ELECTROMECHANICAL SWITCHES, lw=LOWER WASHING, uw=LOWER AND UPPER WASHING

AQU40=AQU40

bt=BREAK TANK, bp=BOOSTER PUMP, dvgw=DVGW, cr=COLD RINSE, ws=WATER SOFTNER, dd=DETERGENT DISPENSER, dp=DRAIN PUMP

A=3/N/PE~380-400V 50-60Hz, D=3/PE~200-210V 50-60Hz, F=2/PE~220-240V 50-60Hz, G=3/N/PE~415V 50-60Hz, H=3/PE~220-230V 50-60Hz, K=3/PE~380-400V 50-60Hz, L=3/PE~415V 50-60Hz, M=3/PE~440V 60Hz, P=1/N/PE~220-230V 50-60Hz, R=2/PE~220-240V 50-60Hz, U=1/N/PE~240V 50-60Hz, V=3/PE~240V 50-60Hz, W=1/N/PE~100-110V 50-60Hz



12\_003ae

## Spare parts

---

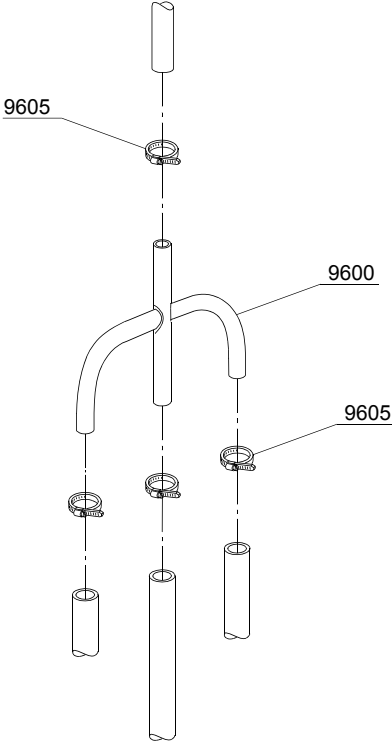
| ID                              | P-code | SN from | SN to | Mod. | Acces. | Volt | Description                      |
|---------------------------------|--------|---------|-------|------|--------|------|----------------------------------|
| <b>Module:3 ways connection</b> |        |         |       |      |        |      |                                  |
| 30800                           | 540090 |         | -     |      |        |      | Ø10 mm plastic 3 ways connection |
| 30805                           | 11807  |         | -     | em   |        |      | 12/22 clamp (minimum 3 pieces)   |

em=ELECTROMECHANICAL SWITCHES, lw=LOWER WASHING, uw=LOWER AND UPPER WASHING

AQU40=AQU40

bt=BREAK TANK, bp=BOOSTER PUMP, dvgw=DVGW, cr=COLD RINSE, ws=WATER SOFTNER, dd=DETERGENT DISPENSER, dp=DRAIN PUMP

A=3/N/PE~380-400V 50-60Hz, D=3/PE~200-210V 50-60Hz, F=2/PE~220-240V 50-60Hz, G=3/N/PE~415V 50-60Hz, H=3/PE~220-230V 50-60Hz, K=3/PE~380-400V 50-60Hz, L=3/PE~415V 50-60Hz, M=3/PE~440V 60Hz, P=1/N/PE~220-230V 50-60Hz, R=2/PE~220-240V 50-60Hz, U=1/N/PE~240V 50-60Hz, V=3/PE~240V 50-60Hz, W=1/N/PE~100-110V 50-60Hz



12\_004\_e

## Spare parts

---

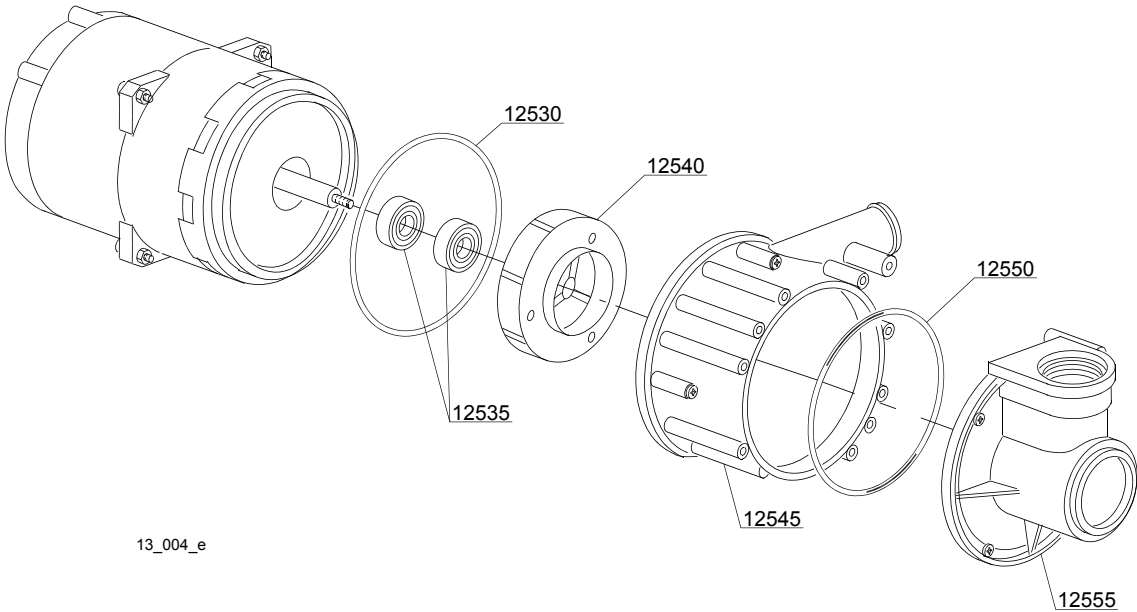
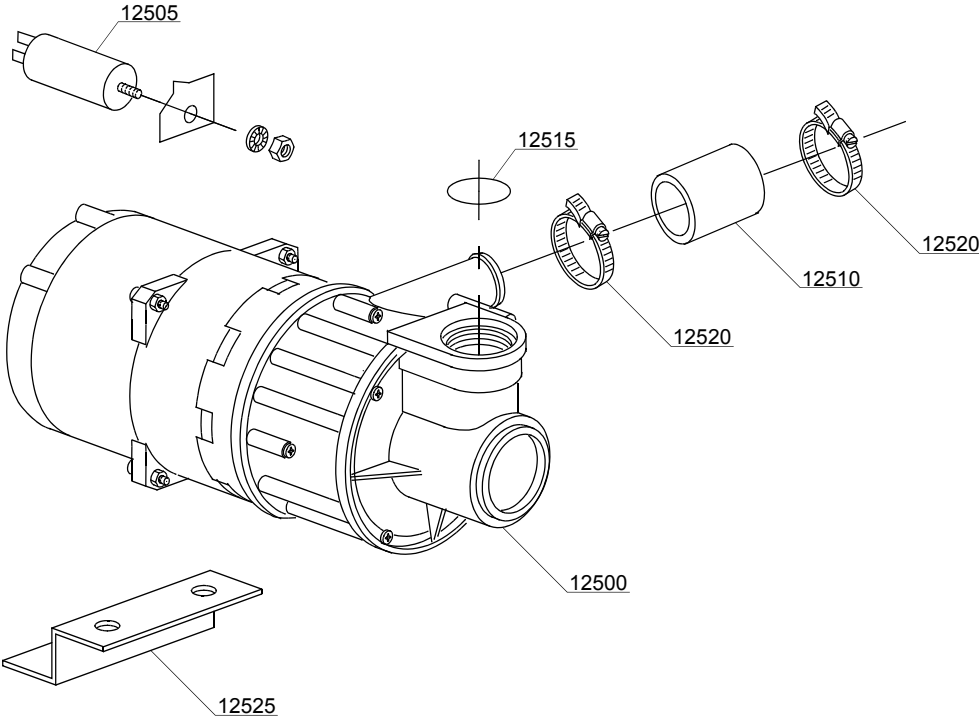
| ID                              | P-code | SN from | SN to | Mod. | Acces. | Volt | Description                    |
|---------------------------------|--------|---------|-------|------|--------|------|--------------------------------|
| <b>Module:4 ways connection</b> |        |         |       |      |        |      |                                |
| 9600                            | 15151  |         | -     | em   | cr     |      | Ø10 mm 4 ways connection       |
| 9605                            | 11807  |         | -     | em   | cr     |      | 12/22 clamp (minimum 3 pieces) |

em=ELECTROMECHANICAL SWITCHES, lw=LOWER WASHING, uw=LOWER AND UPPER WASHING

AQU40=AQU40

bt=BREAK TANK, bp=BOOSTER PUMP, dvgw=DVGW, cr=COLD RINSE, ws=WATER SOFTNER, dd=DETERGENT DISPENSER, dp=DRAIN PUMP

A=3/N/PE~380-400V 50-60Hz, D=3/PE~200-210V 50-60Hz, F=2/PE~220-240V 50-60Hz, G=3/N/PE~415V 50-60Hz, H=3/PE~220-230V 50-60Hz, K=3/PE~380-400V 50-60Hz, L=3/PE~415V 50-60Hz, M=3/PE~440V 60Hz, P=1/N/PE~220-230V 50-60Hz, R=2/PE~220-240V 50-60Hz, U=1/N/PE~240V 50-60Hz, V=3/PE~240V 50-60Hz, W=1/N/PE~100-110V 50-60Hz



13\_004\_e

## Spare parts

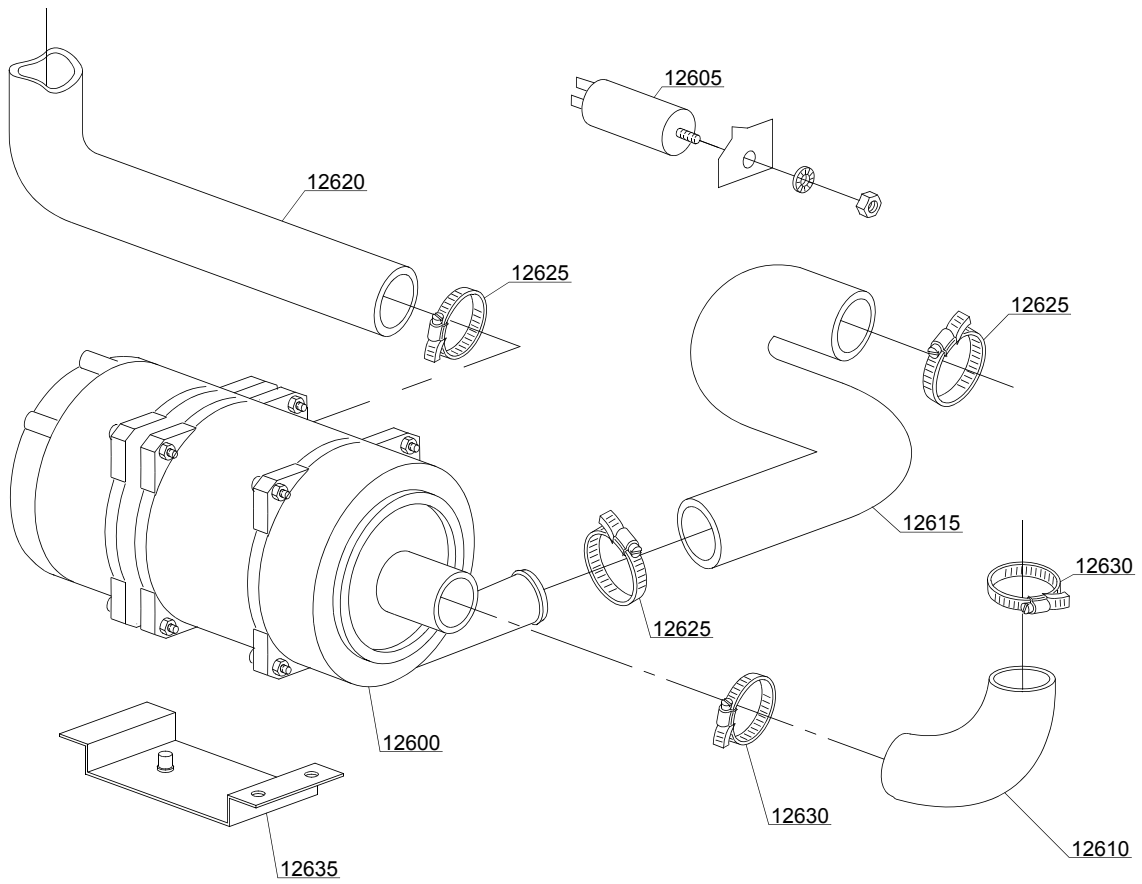
| ID                       | P-code | SN from | SN to | Mod. | Acces. | Volt | Description                                |
|--------------------------|--------|---------|-------|------|--------|------|--|
| <b>Module: Wash pump</b> |        |         |       |      |        |      |  |
| 12500                    | 135501 |         | -     | lw   |        | A    | 0,30Hp wash pump - 220V 50Hz               |
| 12500                    | 135500 |         | -     | lw   |        | H    | 0,30Hp wash pump - 220V 60Hz               |
| 12505                    | 10702  |         | -     | lw   |        |      | 5 uF condenser                             |
| 12510                    | 10718  |         | -     | lw   |        |      | Pump pipe coupling                         |
| 12515                    | 13019  |         | -     | lw   |        |      | 4137 OR 140 NBR O-ring (minimum 10 pieces) |
| 12520                    | 11806  |         | -     | lw   |        |      | 25/40 clamp (minimum 2 pieces)             |
| 12525                    | 440123 |         | -     | lw   |        |      | Pump support                               |
| 12530                    | 135502 |         | -     | lw   |        |      | OR O-ring                                  |
| 12535                    | 15080  |         | -     | lw   |        |      | Rotating seals                             |
| 12540                    | 135505 |         | -     | lw   |        |      | Pump rotor                                 |
| 12545                    | 135504 |         | -     | lw   |        |      | Delivery scroll                            |
| 12550                    | 135506 |         | -     | lw   |        |      | OR O-ring                                  |
| 12555                    | 135503 |         | -     | lw   |        |      | Suction scroll                             |

em=ELECTROMECHANICAL SWITCHES, lw=LOWER WASHING, uw=LOWER AND UPPER WASHING

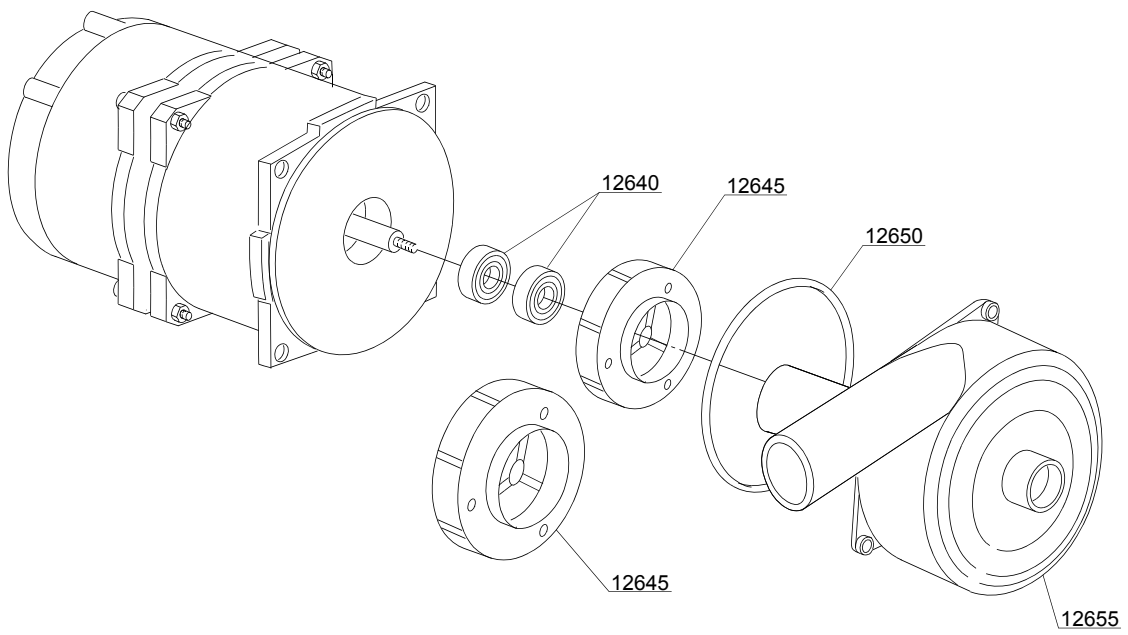
AQU40=AQU40

bt=BREAK TANK, bp=BOOSTER PUMP, dvgw=DVGW, cr=COLD RINSE, ws=WATER SOFTNER, dd=DETERGENT DISPENSER, dp=DRAIN PUMP

A=3/N/PE~380-400V 50-60Hz, D=3/PE~200-210V 50-60Hz, F=2/PE~220-240V 50-60Hz, G=3/N/PE~415V 50-60Hz, H=3/PE~220-230V 50-60Hz, K=3/PE~380-400V 50-60Hz, L=3/PE~415V 50-60Hz, M=3/PE~440V 60Hz, P=1/N/PE~220-230V 50-60Hz, R=2/PE~220-240V 50-60Hz, U=1/N/PE~240V 50-60Hz, V=3/PE~240V 50-60Hz, W=1/N/PE~100-110V 50-60Hz



13\_109\_e



## Spare parts

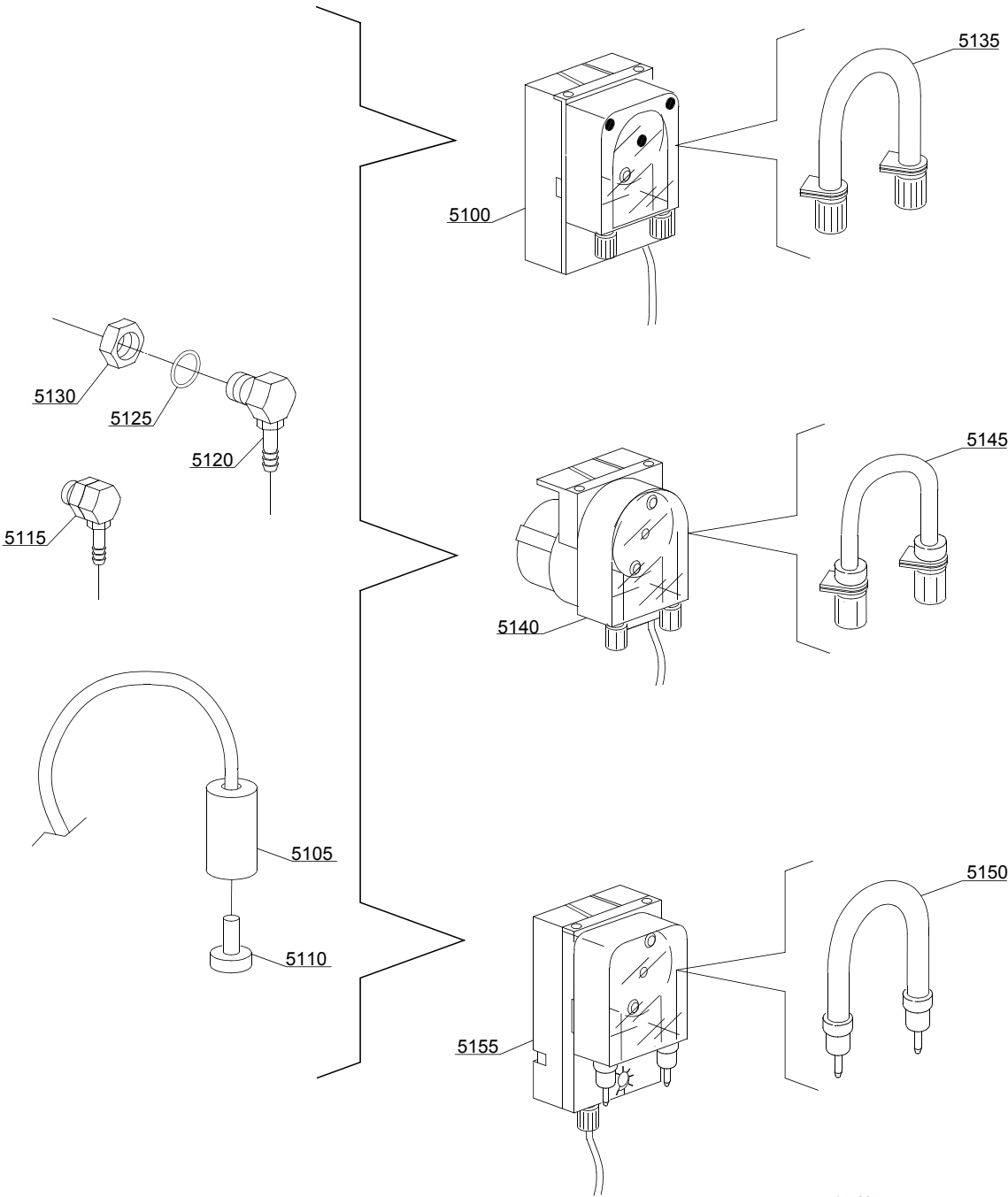
| ID                       | P-code  | SN from | SN to | Mod. | Acces. | Volt | Description                                |
|--------------------------|---------|---------|-------|------|--------|------|--|
| <b>Module: Wash pump</b> |         |         |       |      |        |      |  |
| 12600                    | 18300   |         | -     | uw   |        |      | 0,45Hp wash pump - 230V                    |
| 12600                    | 18242/B |         | -     | uw   |        |      | 0,30Hp wash pump - 220V                    |
| 12605                    | 16043   |         | -     | uw   |        |      | 8 uF condenser                             |
| 12610                    | 18787   |         | -     | uw   |        |      | Suction pipe coupling                      |
| 12615                    | 16168   |         | -     | uw   |        |      | Lower wash delivery pipe                   |
| 12615                    | 16167   |         | -     | uw   |        |      | Lower wash delivery pipe:part of wash ramp |
| 12620                    | 16167   |         | -     | uw   |        |      | Wash ramp                                  |
| 12625                    | 11806   |         | -     | uw   |        |      | 25/40 clamp (minimum 2 pieces)             |
| 12630                    | 11809   |         | -     | uw   |        |      | 30/45 clamp (minimum 2 pieces)             |
| 12635                    | 440122  |         | -     | uw   |        |      | Pump support                               |
| 12640                    | 15080   |         | -     | uw   |        |      | Rotating seals                             |
| 12645                    | 18259   |         | -     | uw   |        |      | 0,33 Hp Pump rotor Ø 80                    |
| 12645                    | 18253   |         | -     | uw   |        |      | 0,45 Hp Pump rotor Ø 86                    |
| 12650                    | 18245   |         | -     | uw   |        |      | OR O-ring                                  |
| 12655                    | 18247   |         | -     | uw   |        |      | Scroll                                     |

em=ELECTROMECHANICAL SWITCHES, lw=LOWER WASHING, uw=LOWER AND UPPER WASHING

AQU40=AQU40

bt=BREAK TANK, bp=BOOSTER PUMP, dvgw=DVGW, cr=COLD RINSE, ws=WATER SOFTNER, dd=DETERGENT DISPENSER, dp=DRAIN PUMP

A=3/N/PE~380-400V 50-60Hz, D=3/PE~200-210V 50-60Hz, F=2/PE~220-240V 50-60Hz, G=3/N/PE~415V 50-60Hz, H=3/PE~220-230V 50-60Hz, K=3/PE~380-400V 50-60Hz, L=3/PE~415V 50-60Hz, M=3/PE~440V 60Hz, P=1/N/PE~220-230V 50-60Hz, R=2/PE~220-240V 50-60Hz, U=1/N/PE~240V 50-60Hz, V=3/PE~240V 50-60Hz, W=1/N/PE~100-110V 50-60Hz



14\_004\_e

## Spare parts

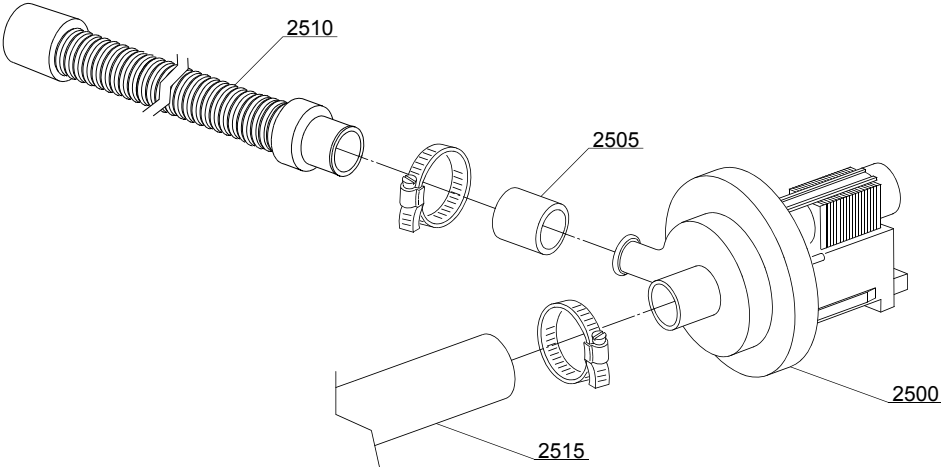
| ID                                   | P-code   | SN from | SN to | Mod. | Acces. | Volt | Description                                  |
|--------------------------------------|----------|---------|-------|------|--------|------|--|
| <b>Module:Dosing detergent group</b> |          |         |       |      |        |      |  |
| 5100                                 | 15985    |         | -     | em   | dd     |      | Seko detergent pump                          |
| 5105                                 | 12525    |         | -     | em   | dd     |      | Counter-weight                               |
| 5110                                 | 15058    |         | -     | em   | dd     |      | Small filter (minimum 3 pieces)              |
| 5115                                 | 15123    |         | -     | em   | dd     |      | Complet plastic injector                     |
| 5120                                 | 15148    |         | -     | em   | dd     |      | Steel injector                               |
| 5125                                 | 15159    |         | -     | em   | dd     |      | OR O-ring (minimum 2 pieces)                 |
| 5130                                 | 10200205 |         | -     | em   | dd     |      | M12x1 stainless steel nut (minimum 2 pieces) |
| 5135                                 | 15185    |         | -     | em   | dd     |      | Seko thermoplastic pipe                      |
| 5140                                 | 15985    |         | -     | em   | dd     |      | Germac detergent pump                        |
| 5145                                 | 15108/E  |         | -     | em   | dd     |      | Germac thermoplastic pipe                    |
| 5150                                 | 15985/A  |         |       | em   | dd     |      | Plas Cont thermoplastic pipe                 |
| 5155                                 | 15985    |         |       | em   | dd     |      | Plas Cont detergent pump                     |

em=ELECTROMECHANICAL SWITCHES, lw=LOWER WASHING, uw=LOWER AND UPPER WASHING

AQU40=AQU40

bt=BREAK TANK, bp=BOOSTER PUMP, dvgw=DVGW, cr=COLD RINSE, ws=WATER SOFTNER, dd=DETERGENT DISPENSER, dp=DRAIN PUMP

A=3/N/PE~380-400V 50-60Hz, D=3/PE~200-210V 50-60Hz, F=2/PE~220-240V 50-60Hz, G=3/N/PE~415V 50-60Hz, H=3/PE~220-230V 50-60Hz, K=3/PE~380-400V 50-60Hz, L=3/PE~415V 50-60Hz, M=3/PE~440V 60Hz, P=1/N/PE~220-230V 50-60Hz, R=2/PE~220-240V 50-60Hz, U=1/N/PE~240V 50-60Hz, V=3/PE~240V 50-60Hz, W=1/N/PE~100-110V 50-60Hz



15\_004\_e

## Spare parts

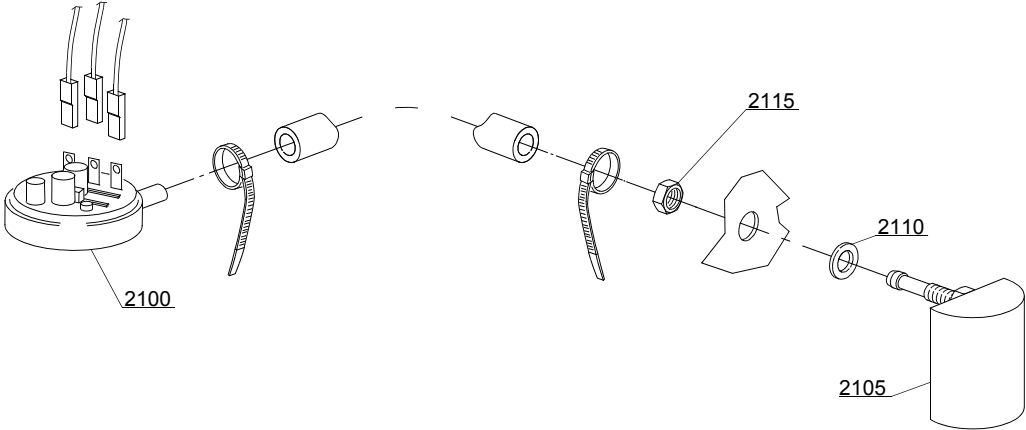
| ID                              | P-code  | SN from | SN to | Mod. | Acces. | Volt | Description                     |
|---------------------------------|---------|---------|-------|------|--------|------|---------------------------------|
| <b>Module: Drain pump group</b> |         |         |       |      |        |      |                                 |
| 2500                            | 15101   |         | -     |      | dp     |      | Drain pump 220/240V 50Hz        |
| 2505                            | 15101/D |         | -     |      | dp     |      | Pipe fitting (minimum 3 pieces) |
| 2510                            | 10727   |         | -     |      | dp     |      | Drain pipe                      |
| 2515                            | 18044   |         | -     |      | dp     |      | Ø28 top wash pipe               |

em=ELECTROMECHANICAL SWITCHES, lw=LOWER WASHING, uw=LOWER AND UPPER WASHING

AQU40=AQU40

bt=BREAK TANK, bp=BOOSTER PUMP, dvgw=DVGW, cr=COLD RINSE, ws=WATER SOFTNER, dd=DETERGENT DISPENSER, dp=DRAIN PUMP

A=3/N/PE~380-400V 50-60Hz, D=3/PE~200-210V 50-60Hz, F=2/PE~220-240V 50-60Hz, G=3/N/PE~415V 50-60Hz, H=3/PE~220-230V 50-60Hz, K=3/PE~380-400V 50-60Hz, L=3/PE~415V 50-60Hz, M=3/PE~440V 60Hz, P=1/N/PE~220-230V 50-60Hz, R=2/PE~220-240V 50-60Hz, U=1/N/PE~240V 50-60Hz, V=3/PE~240V 50-60Hz, W=1/N/PE~100-110V 50-60Hz



16\_001\_e

## Spare parts

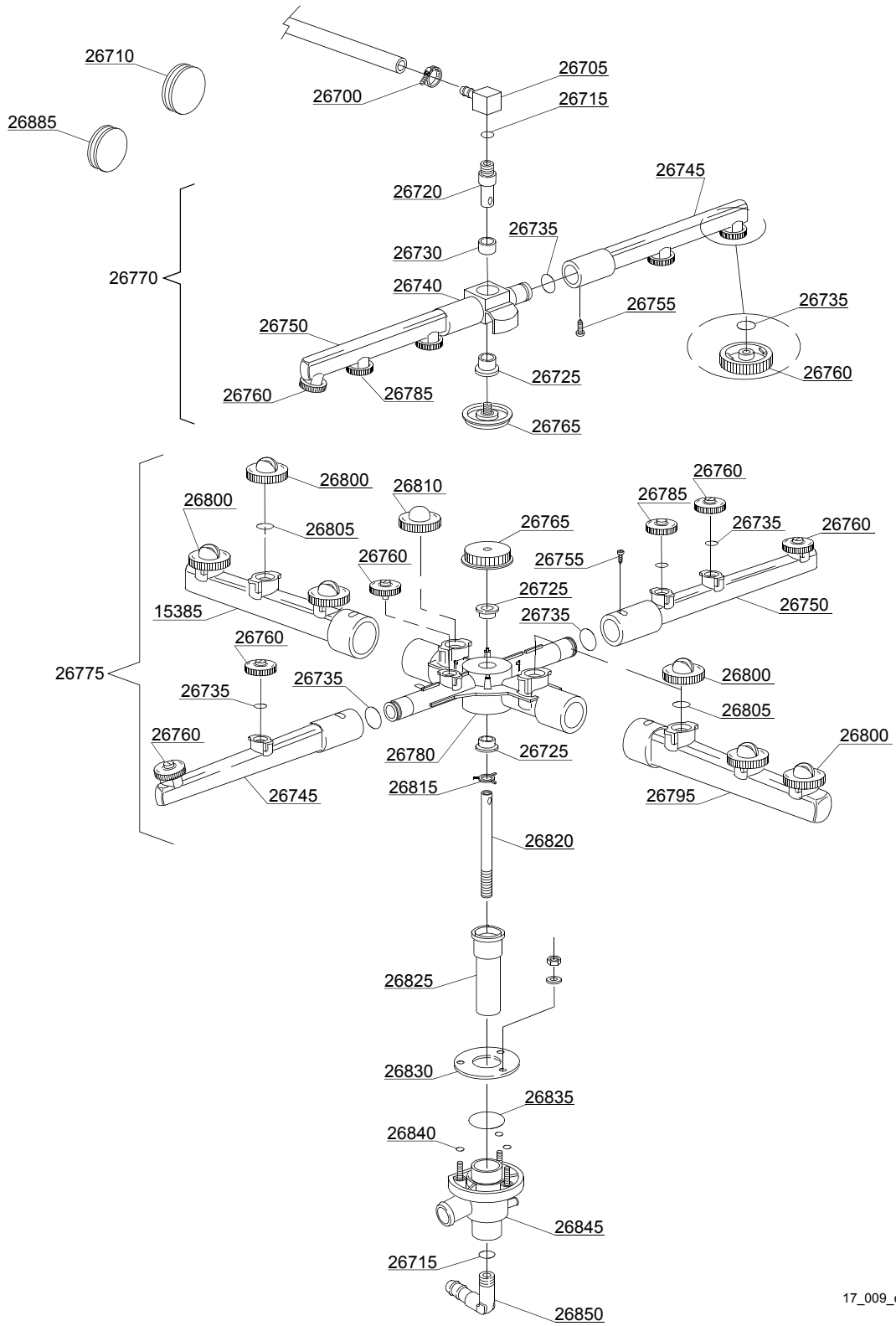
| ID  | P-code   | SN from | SN to | Mod. | Acces. | Volt | Description                                |
|---|----------|---------|-------|------|--------|------|--|
| <b>Module:Pressure switch group with air trap</b> |          |         |       |      |        |      |  |
| 2100  | 10706/A  |         | -     | em   |        |      | 47-27 pressure switch                      |
| 2105  | 135911/B | 4020618 | -     | em   |        |      | Grey air trap assembly                     |
| 2110  | 13301    |         | -     | em   |        |      | O-ring (minimum 10 pieces)                 |
| 2115  | 11702    |         | -     | em   |        |      | M8 stainless steel nut (minimum 10 pieces) |

em=ELECTROMECHANICAL SWITCHES, lw=LOWER WASHING, uw=LOWER AND UPPER WASHING

AQU40=AQU40

bt=BREAK TANK, bp=BOOSTER PUMP, dvgw=DVGW, cr=COLD RINSE, ws=WATER SOFTNER, dd=DETERGENT DISPENSER, dp=DRAIN PUMP

A=3/N/PE~380-400V 50-60Hz, D=3/PE~200-210V 50-60Hz, F=2/PE~220-240V 50-60Hz, G=3/N/PE~415V 50-60Hz, H=3/PE~220-230V 50-60Hz, K=3/PE~380-400V 50-60Hz, L=3/PE~415V 50-60Hz, M=3/PE~440V 60Hz, P=1/N/PE~220-230V 50-60Hz, R=2/PE~220-240V 50-60Hz, U=1/N/PE~240V 50-60Hz, V=3/PE~240V 50-60Hz, W=1/N/PE~100-110V 50-60Hz



17\_009\_e

## Spare parts

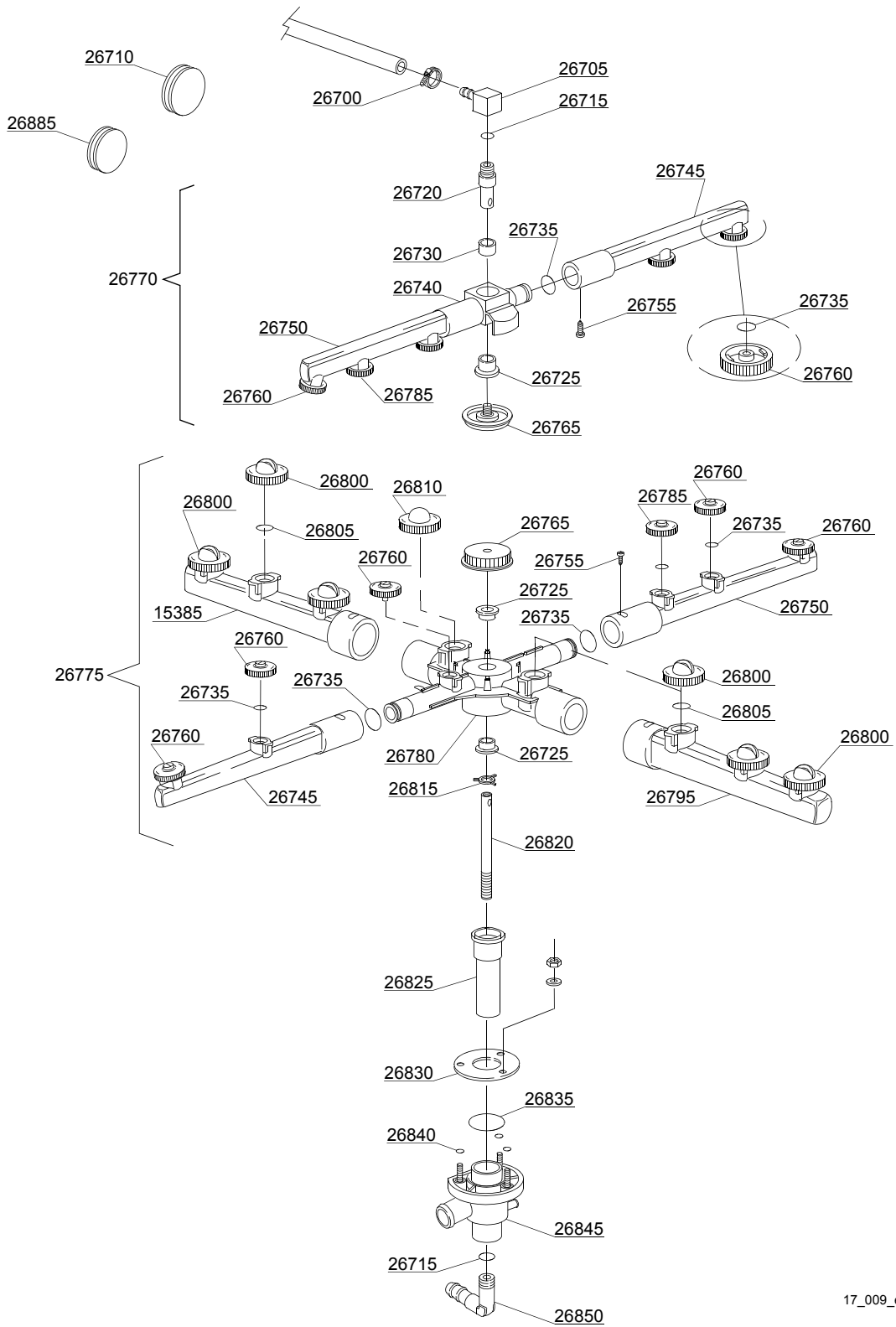
| ID  | P-code | SN from | SN to | Mod. | Acces. | Volt | Description                                 |
|---|--------|---------|-------|------|--------|------|---|
| <b>Module:Turret group with rotating arms</b> |        |         |       |      |        |      |   |
| 26700   | 11807  |         | -     | lw   |        |      | 12/22 clamp (minimum 3 pieces)              |
| 26705   | 350402 |         | -     | lw   |        |      | Top turret rinse hub                        |
| 26710   | 13316  |         | -     | lw   |        |      | 43x10 blind O-ring                          |
| 26715   | 13003  |         | -     | lw   |        |      | OR 112 NBR O-ring (minimum 10 pieces)       |
| 26720   | 350401 |         | -     | lw   |        |      | Lower axle rinse hub                        |
| 26725   | 13319  |         | -     | lw   |        |      | Sliding washer (minimum 2 pieces)           |
| 26730   | 13320  |         | -     | lw   |        |      | Sliding washer (minimum 3 pieces)           |
| 26735   | 13002  |         | -     | lw   |        |      | OR R6 NBR O-ring (minimum 10 pieces)        |
| 26740   | 10373  |         | -     | lw   |        |      | Rinse rotor                                 |
| 26745   | 10374  |         | -     | lw   |        |      | Right rinse pipe                            |
| 26750   | 10375  |         | -     | lw   |        |      | Left rinse pipe                             |
| 26755   | 11004  |         | -     | lw   |        |      | 4x10 TCB Ø8 spax toothed screw              |
| 26760   | 10371  |         | -     | lw   |        |      | Opened head rinse nozzle (minimum 5 pieces) |
| 26765   | 10377  |         | -     | lw   |        |      | Handle with insert                          |
| 26770   | 10997  |         | -     | lw   |        |      | Top rinse group                             |
| 26775   | 540999 |         | -     | lw   |        |      | Lower wash/rinse group                      |
| 26780   | 540043 |         | -     | lw   |        |      | Wash rotor                                  |
| 26785   | 10372  |         | -     | lw   |        |      | Closed head rinse nozzle (minimum 2 pieces) |
| 26790   | 10367  |         | -     | lw   |        |      | Right wash pipe                             |
| 26795   | 10368  |         | -     | lw   |        |      | Left wash pipe                              |
| 26800   | 10368  |         | -     | lw   |        |      | Opened head wash nozzle                     |
| 26805   | 13009  |         | -     | lw   |        |      | OR 2050 NBR O-ring (minimum 40 pieces)      |
| 26810   | 10370  |         | -     | lw   |        |      | Closed head wash nozzle (minimum 2 pieces)  |
| 26815   | 10203  |         | -     | lw   |        |      | Guide pipe                                  |
| 26820   | 16039  |         | -     | lw   |        |      | Ø10x1,5x185 steel ground shaft              |
| 26825   | 16250  |         | -     | lw   |        |      | Bell-shape assembly with pipe coupling      |
| 26830   | 16038  |         | -     | lw   |        |      | Ø60 stainless steel disk                    |
| 26835   | 13000  |         | -     | lw   |        |      | OR 3125 NBR O-ring (minimum 5 pieces)       |

em=ELECTROMECHANICAL SWITCHES, lw=LOWER WASHING, uw=LOWER AND UPPER WASHING

AQU40=AQU40

bt=BREAK TANK, bp=BOOSTER PUMP, dvgw=DVGW, cr=COLD RINSE, ws=WATER SOFTNER, dd=DETERGENT DISPENSER, dp=DRAIN PUMP

A=3/N/PE~380-400V 50-60Hz, D=3/PE~200-210V 50-60Hz, F=2/PE~220-240V 50-60Hz, G=3/N/PE~415V 50-60Hz, H=3/PE~220-230V 50-60Hz, K=3/PE~380-400V 50-60Hz, L=3/PE~415V 50-60Hz, M=3/PE~440V 60Hz, P=1/N/PE~220-230V 50-60Hz, R=2/PE~220-240V 50-60Hz, U=1/N/PE~240V 50-60Hz, V=3/PE~240V 50-60Hz, W=1/N/PE~100-110V 50-60Hz



17\_009\_e

## Spare parts

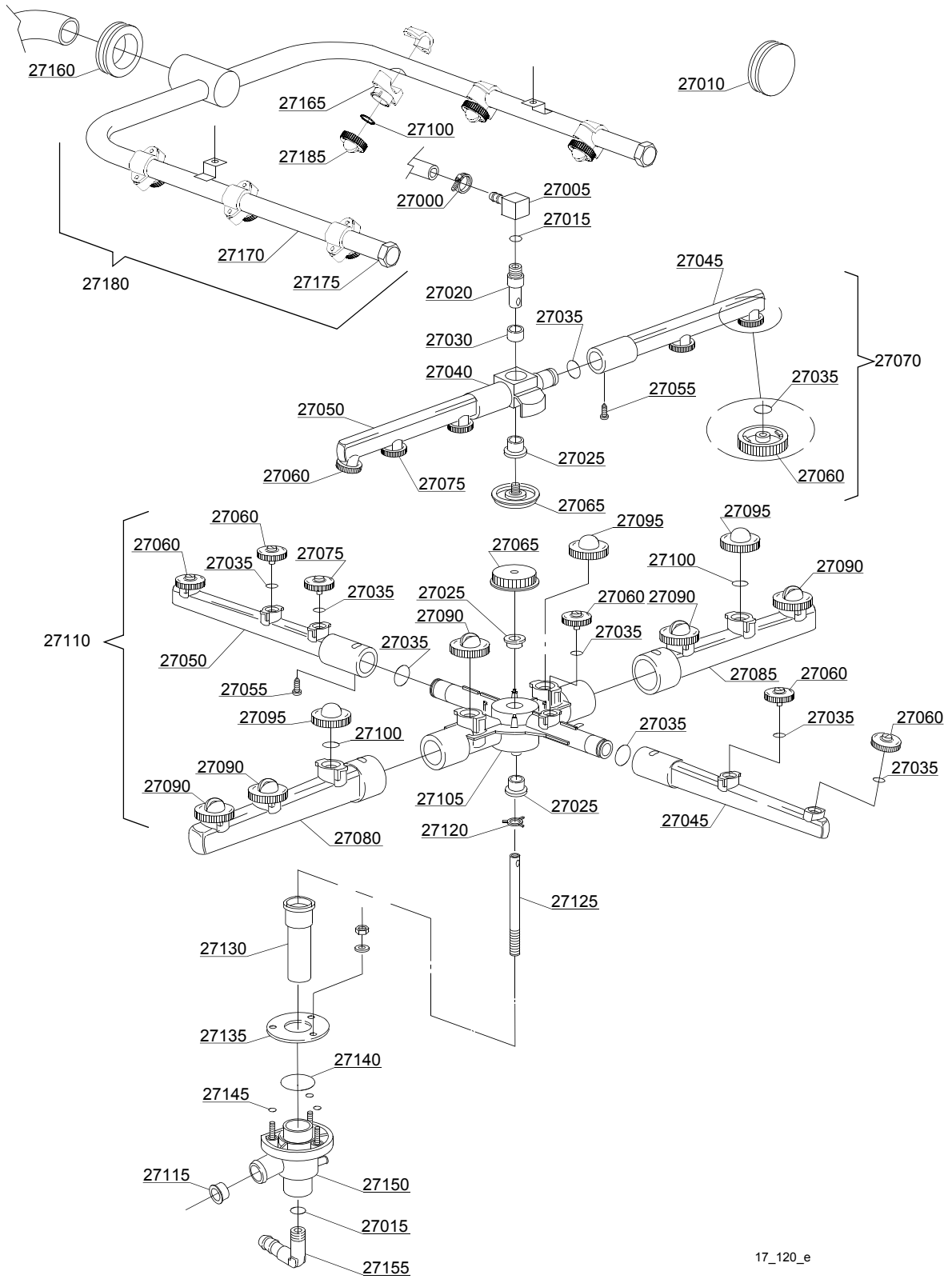
| ID  | P-code  | SN from | SN to | Mod. | Acces. | Volt | Description                           |
|---|---------|---------|-------|------|--------|------|---------------------------------------|
| <b>Module:Turret group with rotating arms</b> |         |         |       |      |        |      |                                       |
| 26840   | 13001   |         | -     | lw   |        |      | OR 104 NBR O-ring (minimum 10 pieces) |
| 26845   | 10205/B |         | -     | lw   |        |      | Lower wash turret with hole           |
| 26850   | 12030   |         | -     | lw   |        |      | 3/8M Ø12 elbow pipe fitting           |
| 26855   | 13316/A |         | -     | lw   |        |      | DVGW hole O-ring                      |

em=ELECTROMECHANICAL SWITCHES, lw=LOWER WASHING, uw=LOWER AND UPPER WASHING

AQU40=AQU40

bt=BREAK TANK, bp=BOOSTER PUMP, dvgw=DVGW, cr=COLD RINSE, ws=WATER SOFTNER, dd=DETERGENT DISPENSER, dp=DRAIN PUMP

A=3/N/PE~380-400V 50-60Hz, D=3/PE~200-210V 50-60Hz, F=2/PE~220-240V 50-60Hz, G=3/N/PE~415V 50-60Hz, H=3/PE~220-230V 50-60Hz, K=3/PE~380-400V 50-60Hz, L=3/PE~415V 50-60Hz, M=3/PE~440V 60Hz, P=1/N/PE~220-230V 50-60Hz, R=2/PE~220-240V 50-60Hz, U=1/N/PE~240V 50-60Hz, V=3/PE~240V 50-60Hz, W=1/N/PE~100-110V 50-60Hz



17\_120\_e

## Spare parts

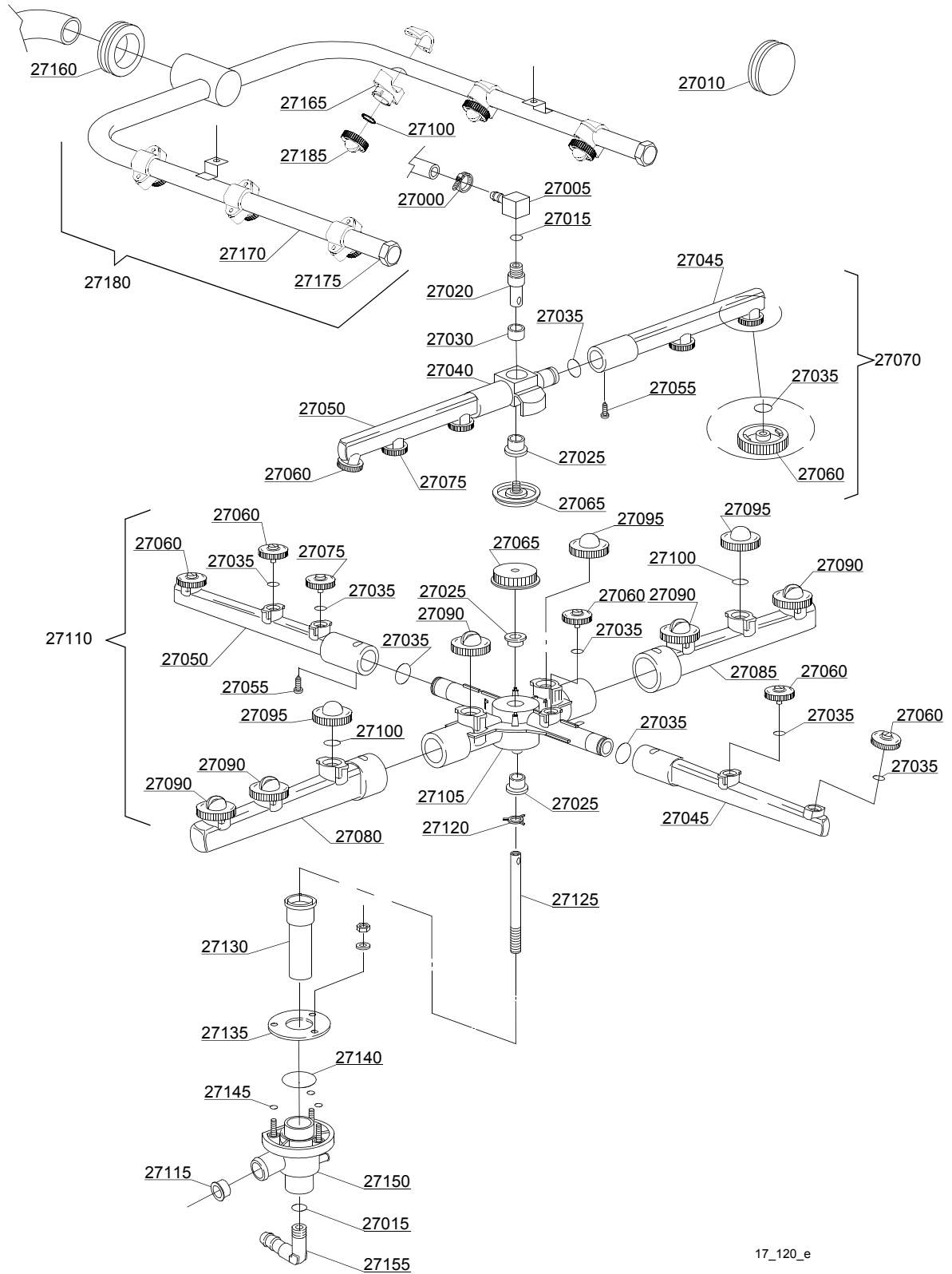
| ID  | P-code  | SN from | SN to | Mod. | Acces. | Volt | Description                                    |
|---|---------|---------|-------|------|--------|------|--|
| <b>Module:Turret group with rotating arms</b> |         |         |       |      |        |      |  |
| 27000   | 11807   |         | -     | uw   |        |      | 12/22 clamp (minimum 3 pieces)                 |
| 27005   | 350402  |         | -     | uw   |        |      | Top turret rinse hub                           |
| 27010   | 13316/A |         | -     | uw   |        |      | DVGW hole O-ring                               |
| 27015   | 13003   |         | -     | uw   |        |      | OR 112 NBR O-ring (minimum 10 pieces)          |
| 27020   | 350401  |         | -     | uw   |        |      | Lower axle rinse hub                           |
| 27025   | 13319   |         | -     | uw   |        |      | Sliding washer (minimum 2 pieces)              |
| 27030   | 13320   |         | -     | uw   |        |      | Sliding washer                                 |
| 27035   | 13002   |         | -     | uw   |        |      | OR R6 NBR O-ring (minimum 10 pieces)           |
| 27040   | 10373   |         | -     | uw   |        |      | Rinse rotor                                    |
| 27045   | 10374   |         | -     | uw   |        |      | Right rinse pipe                               |
| 27050   | 10375   |         | -     | uw   |        |      | Left rinse pipe                                |
| 27055   | 11004   |         | -     | uw   |        |      | 4x10 TCB Ø8 spax toothed screw                 |
| 27060   | 10371   |         | -     | uw   |        |      | Opened head rinse nozzle (minimum 5 pieces)    |
| 27065   | 10377   |         | -     | uw   |        |      | Handle with insert                             |
| 27070   | 10997   |         | -     | uw   |        |      | Top rinse group                                |
| 27075   | 10372   |         | -     | uw   |        |      | Closed head rinse nozzle (minimum 2 pieces)    |
| 27080   | 10367   |         | -     | uw   |        |      | Right wash pipe                                |
| 27085   | 10368   |         | -     | uw   |        |      | Left wash pipe                                 |
| 27090   | 10378   |         | -     | uw   |        |      | 1,9 opened head wash nozzle (minimum 2 pieces) |
| 27095   | 10370   |         | -     | uw   |        |      | Closed head wash nozzle (minimum 2 pieces)     |
| 27100   | 13009   |         | -     | uw   |        |      | OR 2050 NBR O-ring (minimum 40 pieces)         |
| 27105   | 540043  |         | -     | uw   |        |      | Wash rotor                                     |
| 27110   | 540996  |         | -     | uw   |        |      | Top/lower wash/rinse group                     |
| 27115   | 18249   |         | -     | uw   |        |      | Flux reducer                                   |
| 27120   | 10203   |         | -     | uw   |        |      | Guide pipe                                     |
| 27125   | 16039   |         | -     | uw   |        |      | Ø10x1,5x185 steel ground shaft                 |
| 27130   | 16250   |         | -     | uw   |        |      | Bell-shape assembly with pipe coupling         |
| 27135   | 16038   |         | -     | uw   |        |      | Ø60 stainless steel disk                       |

em=ELECTROMECHANICAL SWITCHES, lw=LOWER WASHING, uw=LOWER AND UPPER WASHING

AQU40=AQU40

bt=BREAK TANK, bp=BOOSTER PUMP, dvgw=DVGW, cr=COLD RINSE, ws=WATER SOFTNER, dd=DETERGENT DISPENSER, dp=DRAIN PUMP

A=3/N/PE~380-400V 50-60Hz, D=3/PE~200-210V 50-60Hz, F=2/PE~220-240V 50-60Hz, G=3/N/PE~415V 50-60Hz, H=3/PE~220-230V 50-60Hz, K=3/PE~380-400V 50-60Hz, L=3/PE~415V 50-60Hz, M=3/PE~440V 60Hz, P=1/N/PE~220-230V 50-60Hz, R=2/PE~220-240V 50-60Hz, U=1/N/PE~240V 50-60Hz, V=3/PE~240V 50-60Hz, W=1/N/PE~100-110V 50-60Hz



17\_120\_e

## Spare parts

| ID  | P-code  | SN from | SN to | Mod. | Acces. | Volt | Description                           |
|---|---------|---------|-------|------|--------|------|---------------------------------------|
| <b>Module:Turret group with rotating arms</b> |         |         |       |      |        |      |                                       |
| 27140   | 13000   |         | -     | uw   |        |      | OR 3125 NBR O-ring (minimum 5 pieces) |
| 27145   | 13001   |         | -     | uw   |        |      | OR 104 NBR O-ring (minimum 10 pieces) |
| 27150   | 10205/B |         | -     | uw   |        |      | Lower wash turret with hole           |
| 27155   | 12030   |         | -     | uw   |        |      | 3/8M Ø12 elbow pipe fitting           |
| 27160   | 13306/A |         | -     | uw   |        |      | Top wash ramp O-ring                  |
| 27170   | 16161   |         | -     | uw   |        |      | Top wash pipe                         |
| 27175   | 12503   |         | -     | uw   |        |      | Plug                                  |
| 27180   | 16920   |         | -     | uw   |        |      | Top wash group                        |
| 27185   | 10378   |         | -     | uw   |        |      | Nozzle (minimum 2 pieces)             |

em=ELECTROMECHANICAL SWITCHES, lw=LOWER WASHING, uw=LOWER AND UPPER WASHING

AQU40=AQU40

bt=BREAK TANK, bp=BOOSTER PUMP, dvgw=DVGW, cr=COLD RINSE, ws=WATER SOFTNER, dd=DETERGENT DISPENSER, dp=DRAIN PUMP

A=3/N/PE~380-400V 50-60Hz, D=3/PE~200-210V 50-60Hz, F=2/PE~220-240V 50-60Hz, G=3/N/PE~415V 50-60Hz, H=3/PE~220-230V 50-60Hz, K=3/PE~380-400V 50-60Hz, L=3/PE~415V 50-60Hz, M=3/PE~440V 60Hz, P=1/N/PE~220-230V 50-60Hz, R=2/PE~220-240V 50-60Hz, U=1/N/PE~240V 50-60Hz, V=3/PE~240V 50-60Hz, W=1/N/PE~100-110V 50-60Hz