

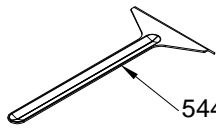
SUPERLOTUS 70 TOP

GAS / GAS / GAS / GAZ

FTT...-74G FTT...-76G FTT...-76G FTT...-78G

544181201 (74)
544117001 (76)
544181301 (78)

541097700 (L-74G)
541097800 (R-74G)
541097900 (L-74GS)
541098000 (R-74GS)
541136200 (L-76G)
541136300 (LR-76G)
541136400 (R-76G)
541136500 (L-76GS)
541136600 (LR-76GS)
541136700 (R-76GS)
541098100 (L-78G)
541098200 (LR-78G)
541098300 (R-78G)
541098400 (L-78GS)
541098500 (LR-78GS)
541098600 (R-78GS)

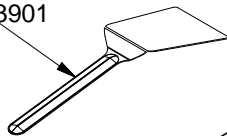


544023800 (R/LR)



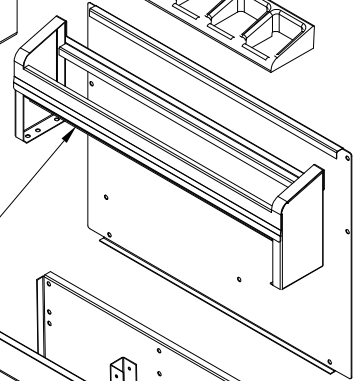
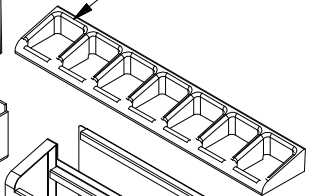
531026000

544023901



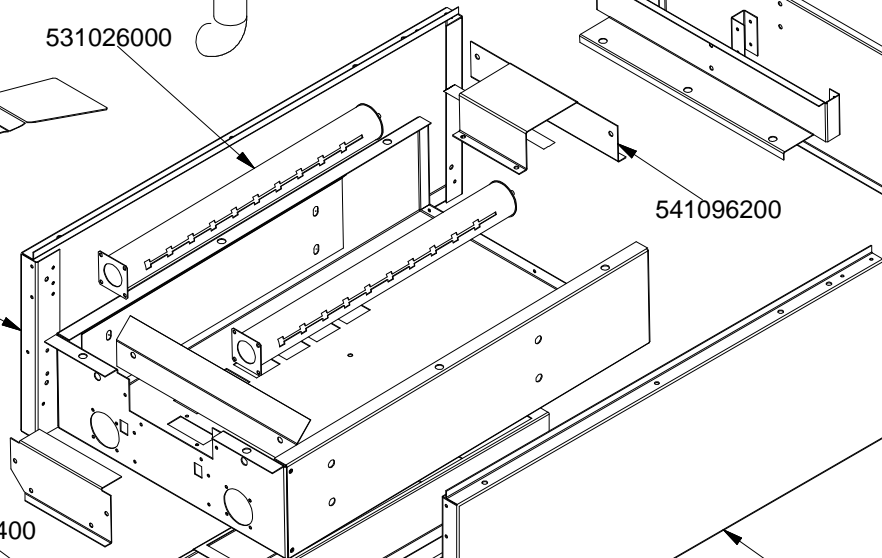
541134100 (74)
541135500 (76)
541134600 (78)

532004100

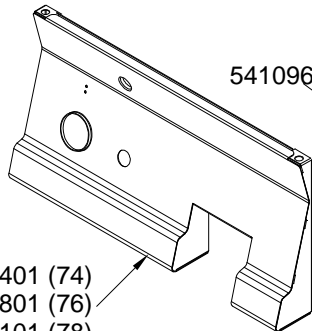


541096200

544385600



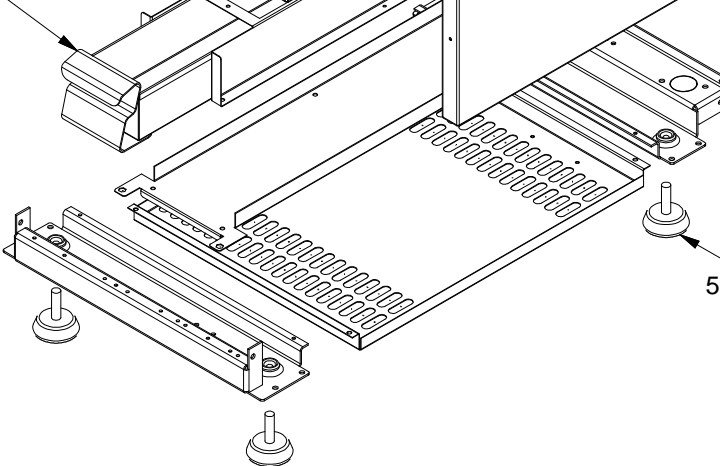
541096400



544385500

541101401 (74)
541147801 (76)
541096101 (78)

533010500



560039300M00P00

Page	Pos	Code	Description
001		541097800	UPPER PLATE FTR-74G
001		544181201	SPLASH GUARD FT-74
001		532004100	FLUE GRID L=370 70LINE (RAF)
001		541134100	LOW SPACER 74 1 GRID
001		544023800	
001		531026000	BURNER FT-4/6/8G BM-4G
001		544023901	SPATTLE FOR FRY-TOP
001		541096200	BURNER SUPPORT FT-74G FT-78G
001		544385600	LEFT SIDE OF 70T LINE
001		541096400	DRIP TRAY FT S.70
001		544385500	RIGHT SIDE OF 70T LINE
001		533010500	LEG M10*25 D.40
001		541101401	CONTROL PANEL S70/90 FT-74G FT-94G