

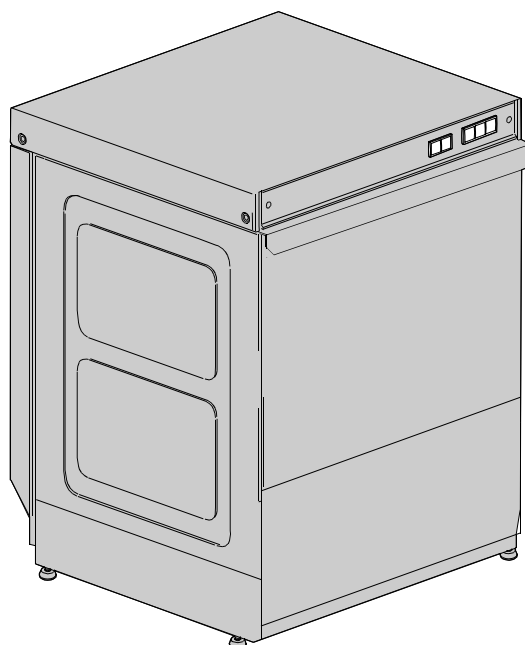
DISHWASHER

ELECTROMECHANICAL SWITCHES
LOWER WASHING
LOWER AND UPPER WASHING

TYPE: 10R

Accessories
BOOSTER PUMP
DVGW
COLD RINSE
WATER SOFTNER
DETERGENT DISPENSER
DRAIN PUMP

Spare parts manual



1. Spare parts

General body parts.....	7
Lockup system	11
Control electric components.....	13
Control electric components.....	17
Solenoid valve group	19
Solenoid valve group	21
Solenoid valve group	23
Booster pump.....	25
DVGW	27
Water softner group.....	29
Shining product dosing device group .	31
Boiler group	33
3 ways derivation.....	35
4 ways derivation.....	37
Wash pump	39
Wash pump	41

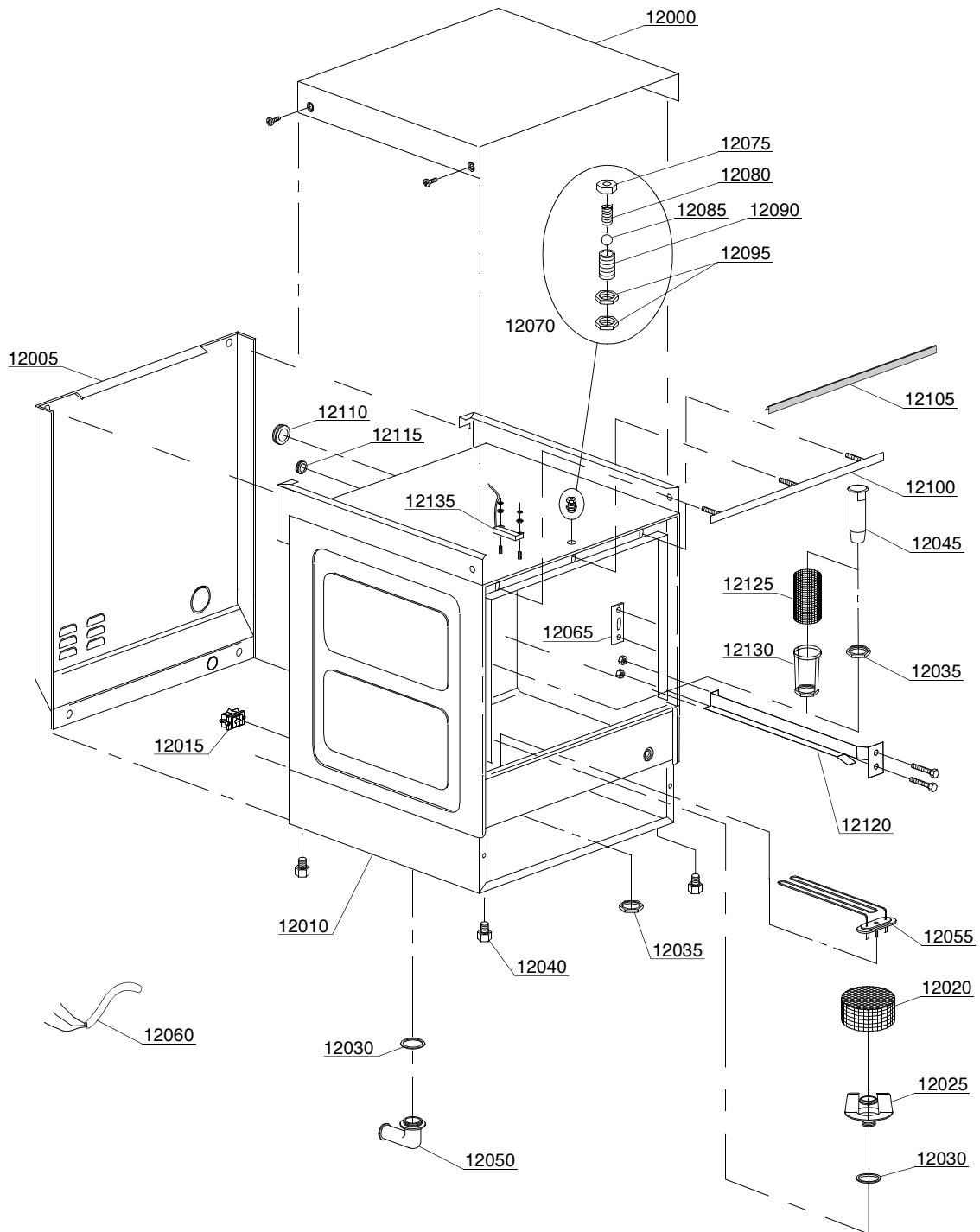
Dosing device group	43
Drain pump group.....	45
Pressure switch group with air trap ...	47
Turret group with rotating arms	49
Turret group with rotating arms	53
Turret group with rotating arms	55
Turret group with rotating arms	59

1.1 Voltage codes

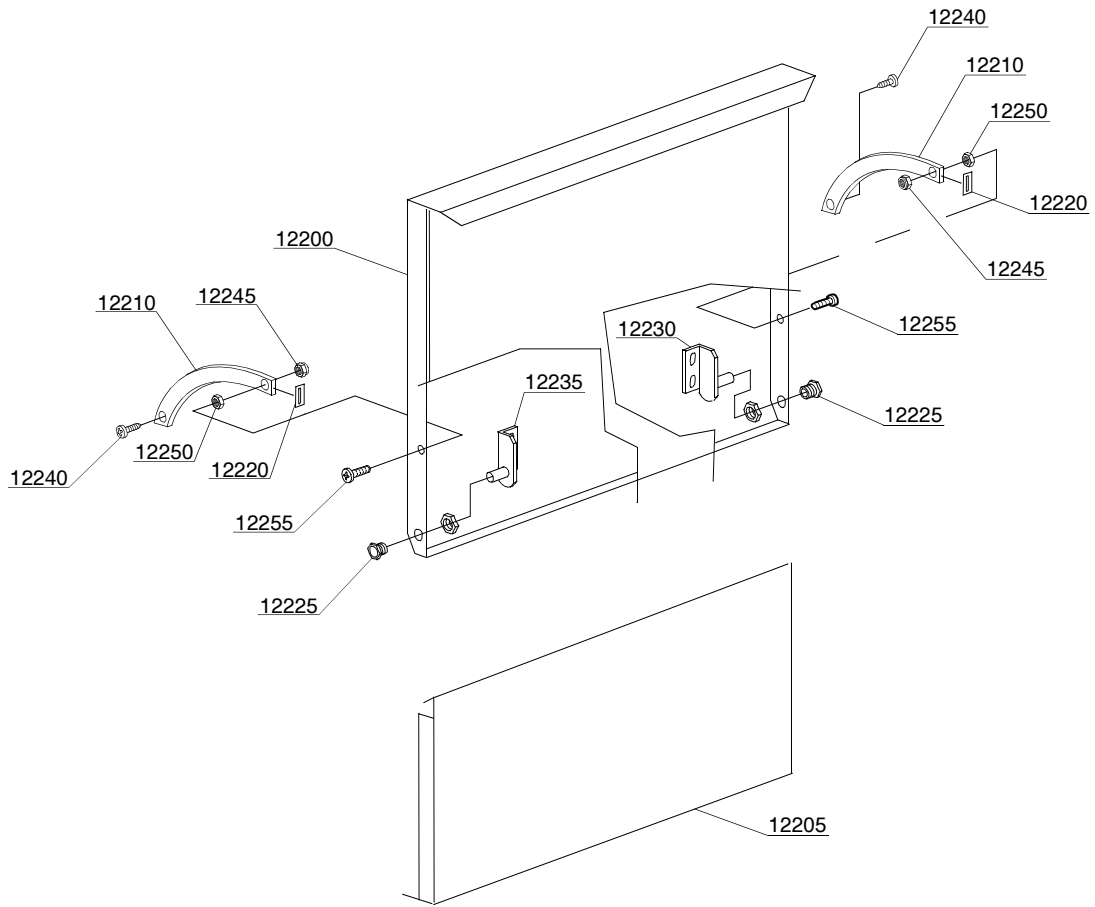
Voltage code	Voltage
A	3/N/PE~400/230V 50Hz
B	~250V 16A 50Hz
C	3/N/PE~380/220V 50Hz
D	3/PE~200V 50-60Hz
F	2/PE 220-240V 50Hz
G	3/N/PE~415/240V 50Hz
H	3/PE~230V 50Hz
I	3/PE~220V 60Hz
J	3/PE~380 50Hz
K	3/PE~400V 50Hz
L	3/PE~415V 50Hz
M	3/PE~440V 60Hz
N	3/PE~460V 60Hz
O	3/PE~480V 60Hz
P	1/N/PE~220-240V 50Hz
R	2/PE~220-230V 60Hz
S	3/N/PE~400/230V 50Hz
T	3/PE~230V 60Hz

1.2 Product codes

Product code	Full name
Model codes	
em	ELECTROMECHANICAL SWITCHES
cf	LOWER WASHING
ls	LOWER AND UPPER WASHING
Type codes	
10R	10R
Accessory codes	
pap	BOOSTER PUMP
dvgw	DVGW
fs	COLD RINSE
d	WATER SOFTNER
dde	DETERGENT DISPENSER
ps	DRAIN PUMP

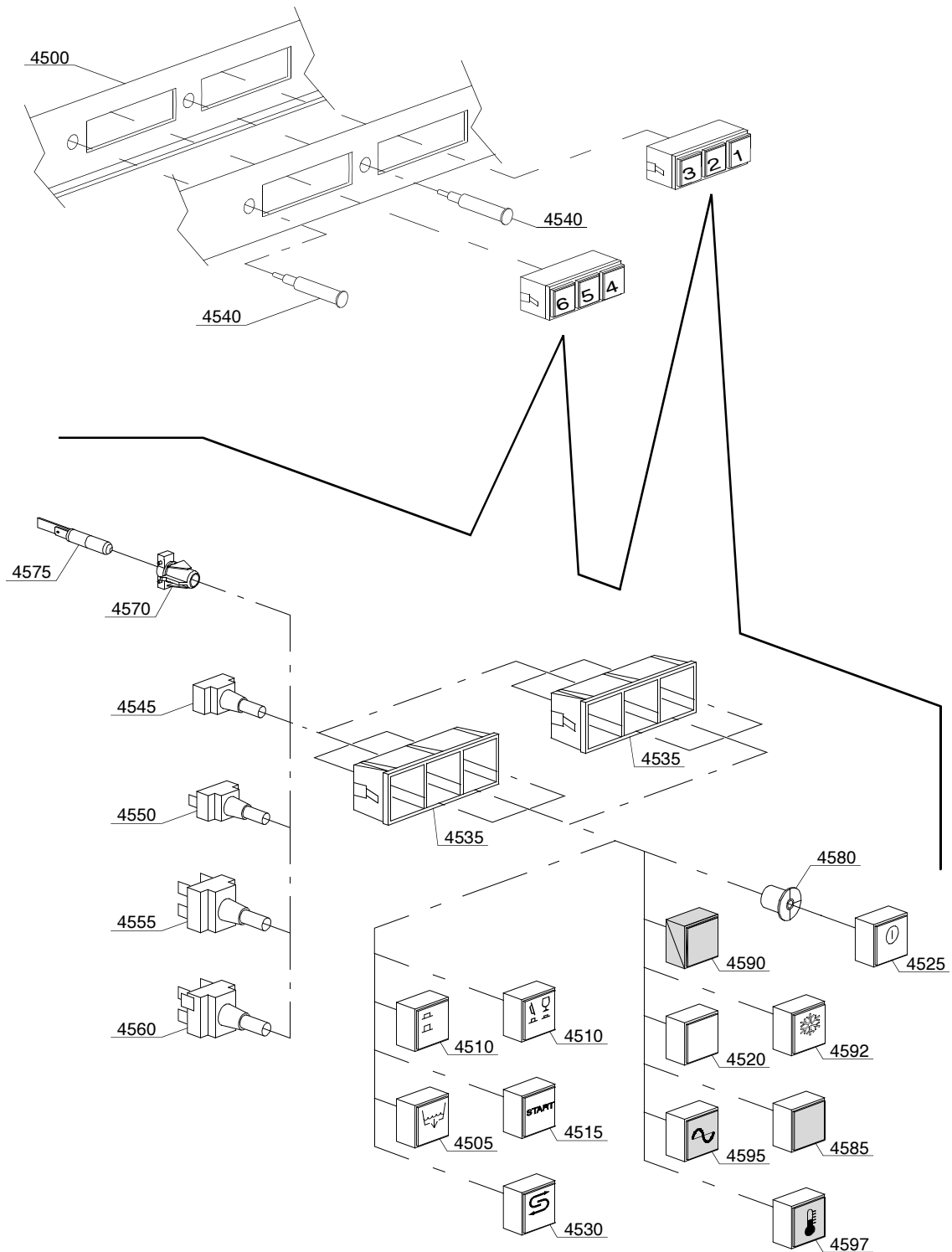


01_014_e



02_111_e

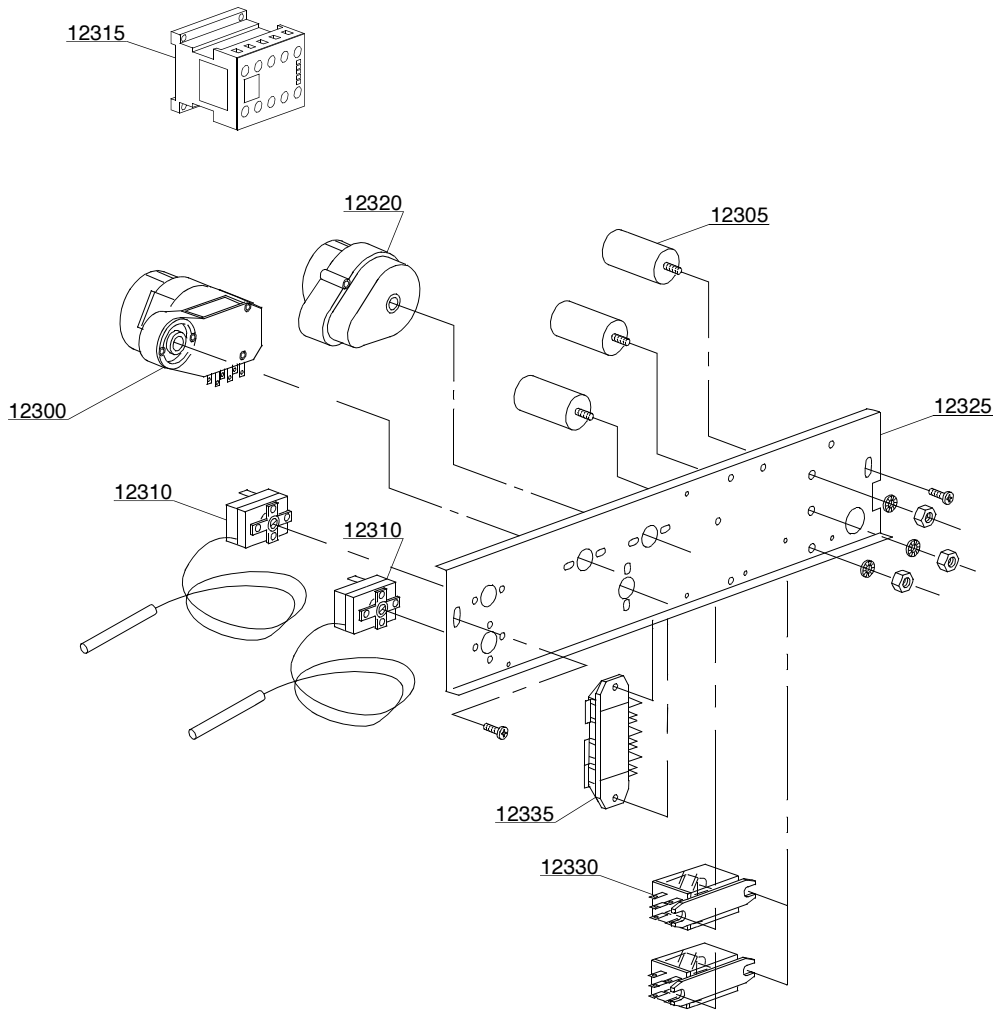
ID	P-code	Model	Type	Accessory	Voltage	Description
MODULE:Lockup system						
12200	440901		10R			Door
12205	440903		10R			Lower door
12210	150221		10R			Right/left door rod
12220	135222		10R			Hinge door seal
12225	11835/A		10R			Brass bush
12230	150210		10R			Right hinge door
12235	150211		10R			Left hinge door
12240	11121		10R			Self-tapping screw
12245	11721		10R			M6 self-locking nut
12250	11706		10R			M6 stainless steel nut
12255	11111		10R			Stainless steel screw



03_001_e

Spare parts

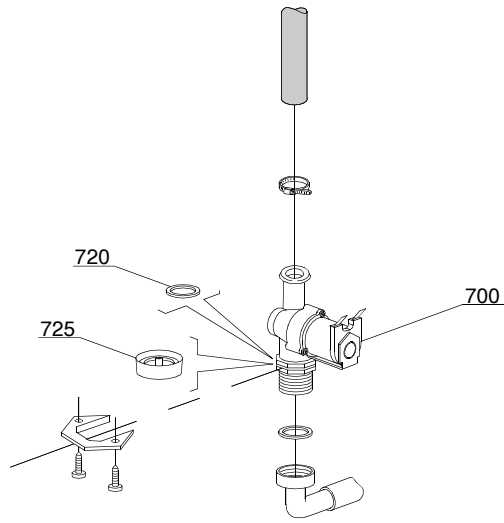
ID	P-code	Model	Type	Accessory	Voltage	Description
MODULE:Control electric components						
4500	400401		10R			Control panel
4505	15854		10R	dp		Green drain pump key
4505	15990		10R	dp		Blu drain pump key
4505	15991		10R	dp		Yellow drain pump key
4515	15873		10R			Green start key
4515	15986		10R			Blu start key
4515	15987		10R			Yellow start key
4520	15847		10R			Green key
4520	15817		10R			Blu key
4520	15819		10R			Yellow key
4525	15874		10R			Green ON-OFF key
4525	15988		10R			Blu ON-OFF key
4525	15989		10R			Yellow ON-OFF key
4530	15871		10R	ws		Green regeneration key
4530	15993		10R	ws		Blu regeneration key
4530	15858		10R	ws		Yellow regeneration key
4535	15843		10R			Square black triple support
4535	15836		10R			Square grey triple support
4540	10711/B		10R			Pilot light
4545	15844		10R			Key support
4550	15813		10R			16A unipolar push button
4555	15812		10R			16A switch
4555	15800		10R			16A bipolar push button
4560	15811		10R			16A bipolar switch
4560	15811/A		10R			16A bipolar switch push button
4570	15827		10R			Pilot light support
4575	15826		10R			Pilot light
4580	15824		10R			Green-orange cam
4585	15825		10R			Green gem
4590	15880		10R			Grey plug
4590	15845		10R			Black plug
4592	15872		10R			Green additional cold rinse key
4592	15992		10R			Blu additional cold rinse key
4592	15856		10R			Yellow additional cold rinse key
4595	15875		10R			Green square cycle gem
4597	15876		10R			Green square temperature gem



04_012_e

Spare parts

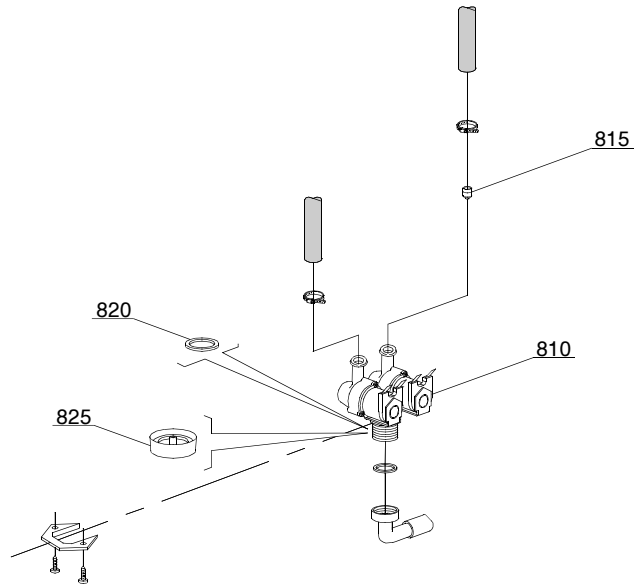
ID	P-code	Model	Type	Accessory	Voltage	Description
MODULE:Control electric components						
12300	10708/L		10R		A	120" timer
12300	10708/T		10R			120" timer with thermostop
12300	10708/B		10R			120" timer - 220Vac 60Hz
12305	15146		10R			Low noise filter
12310	10707/1		10R			0-90°C thermostat
12315	15086		10R			Remote control switch 230V 50/60Hz 4C
12320	16064/A		10R	ws		Regeneration timer
12325	440117		10R			Electric components panel
12330	15620		10R			Bipolar relay in deviation
12335	500550		10R			3 poles terminal board
12335	500551		10R			6 poles terminal board



05_002_e

Spare parts

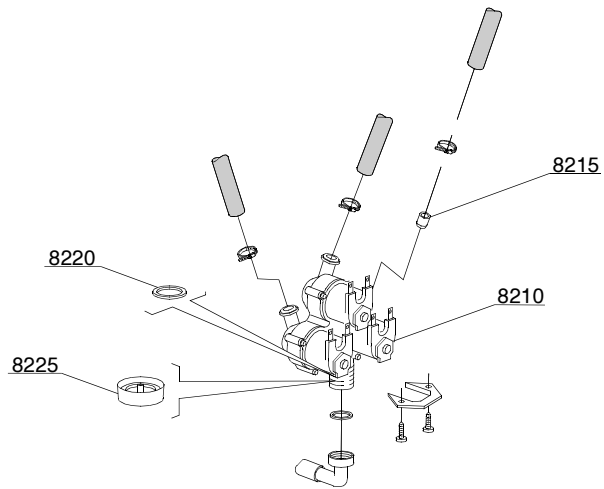
ID	P-code	Model	Type	Accessory	Voltage	Description
MODULE:Solenoid valve group						
700	10703		10R			Single solenoid valve
720	N.C.		10R			Pression reducing valve



05_003_e

Spare parts

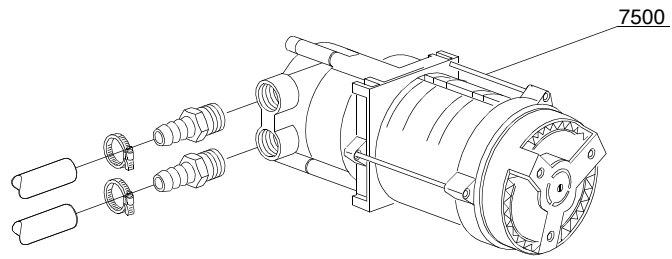
ID	P-code	Model	Type	Accessory	Voltage	Description
MODULE:Solenoid valve group						
810	15098		10R	cr,ws		Double solenoid valve - O10
815	15115		10R	cr,ws		Green pression solenoid valve
820	N.C.		10R	cr,ws		Pression reducing valve



05_004_e

Spare parts

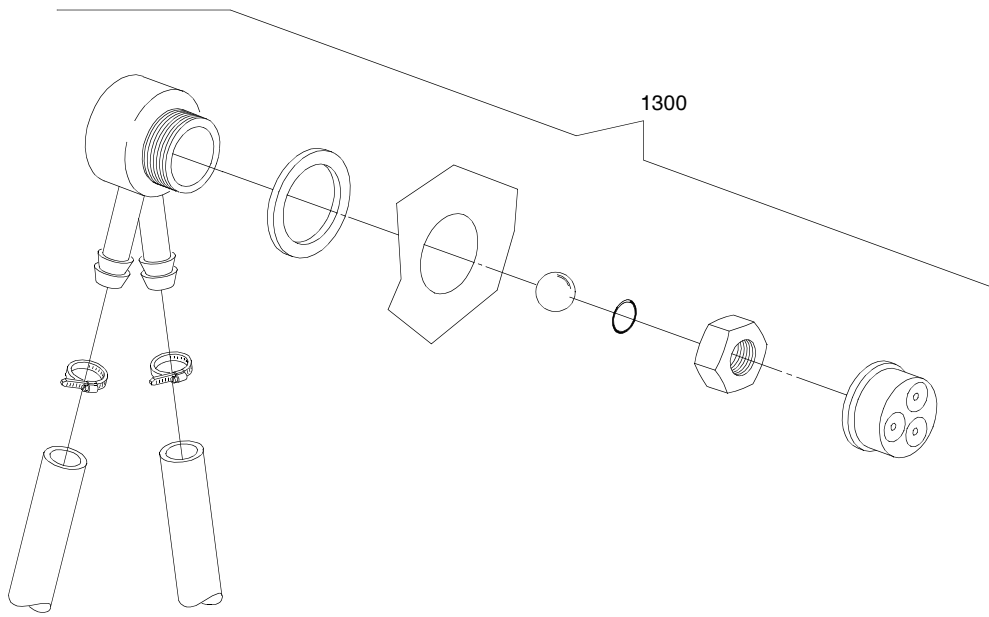
ID	P-code	Model	Type	Accessory	Voltage	Description
MODULE:Solenoid valve group						
8210	15099		10R	cr,ws		Triple solenoid valve
8215	15115		10R	cr,ws		Green pression solenoid valve
8215	15115/A		10R	cr,ws		Oversized green pression solenoid valve
8220	N.C.		10R	cr,ws		Pression reducing valve
8225	15315		10R	cr,ws		Red pression reducing valve



07_003_e

Spare parts

ID	P-code	Model	Type	Accessory	Voltage	Description
MODULE:Booster pump						
7500	15100/D		10R	bp		Booster pump

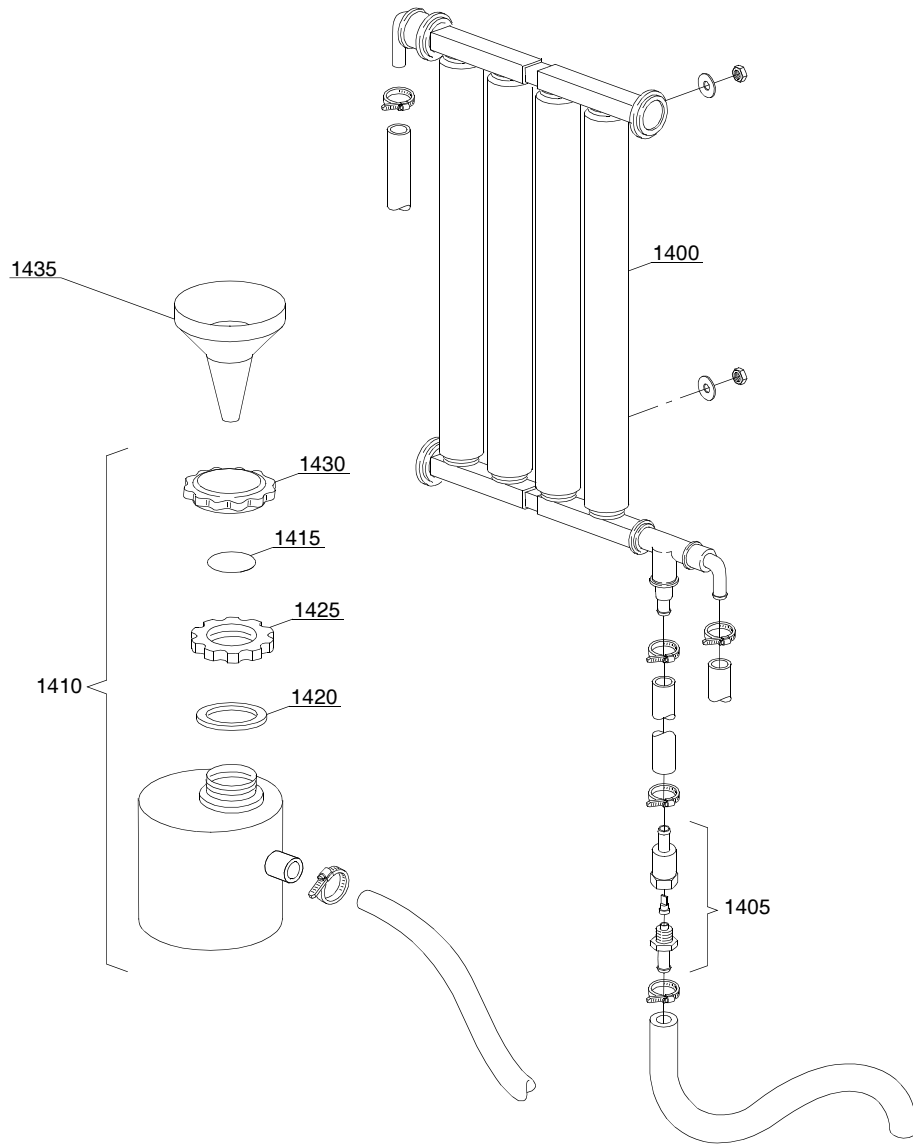


08_005_e

Spare parts

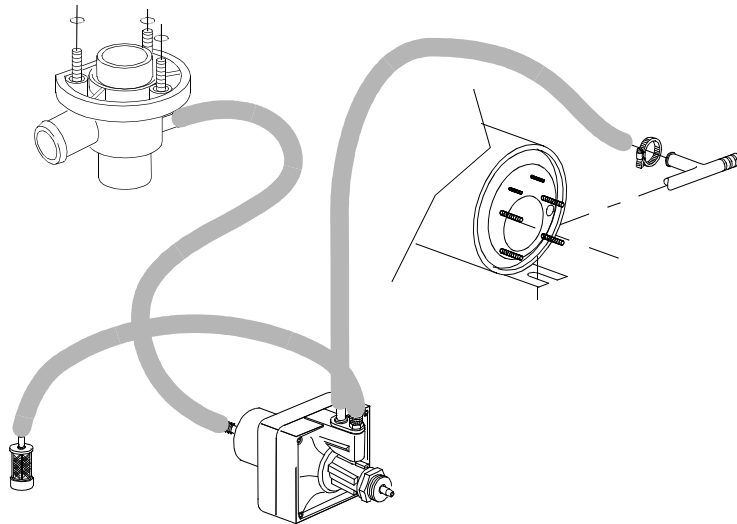
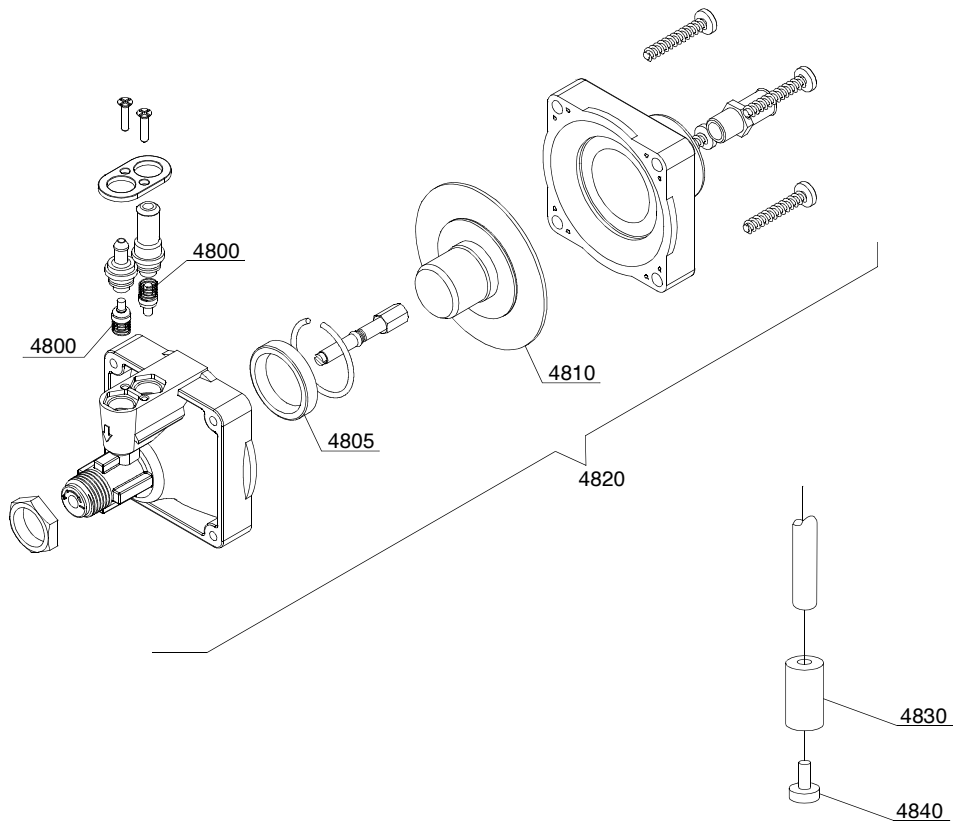
ID	P-code	Model	Type	Accessory	Voltage	Description
MODULE:DVGW						
1300	999900006		10R	dvgw		DVGW assembly

09_001_e



Spare parts

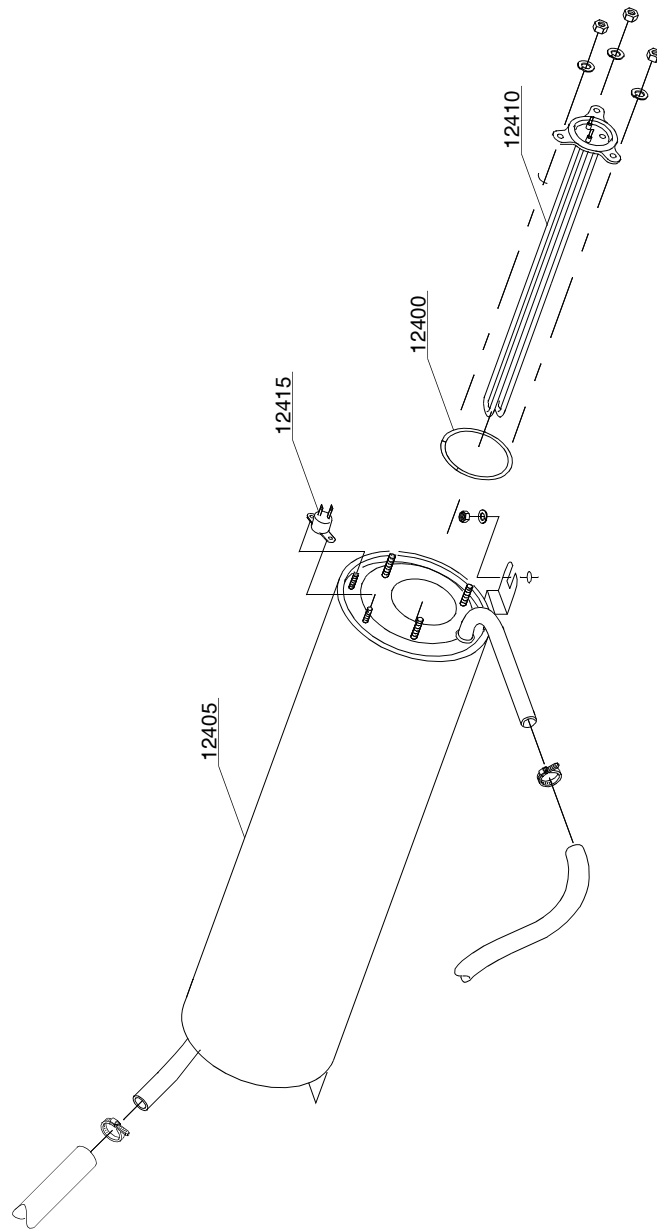
ID	P-code	Model	Type	Accessory	Voltage	Description
MODULE:Water softner group						
1400	16066		10R	ws		4 elements water softner
1405	16070		10R	ws		Nonreturn valve
1410	16065		10R	ws		Salt container
1415	16067/A		10R	ws		OR gasket
1420	16067/B		10R	ws		Gasket
1425	16067/C		10R	ws		Ring nut
1430	16067/D		10R	ws		Plug
1435	16082		10R	ws		Funnel



10_004_e

Spare parts

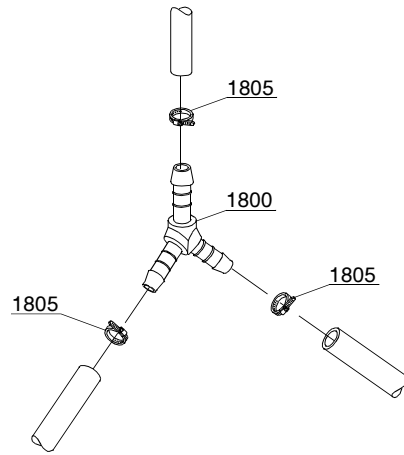
ID	P-code	Model	Type	Accessory	Voltage	Description
MODULE:Shining product dosing device group						
4800	10805		10R			Tecnopro dosing valve
4805	10806		10R			O22 gasket
4810	10807		10R			Membrane
4820	10799		10R			Shining product dosing device
4830	12525		10R			Counter-weight
4840	15058		10R			Small filter



11_007_e

Spare parts

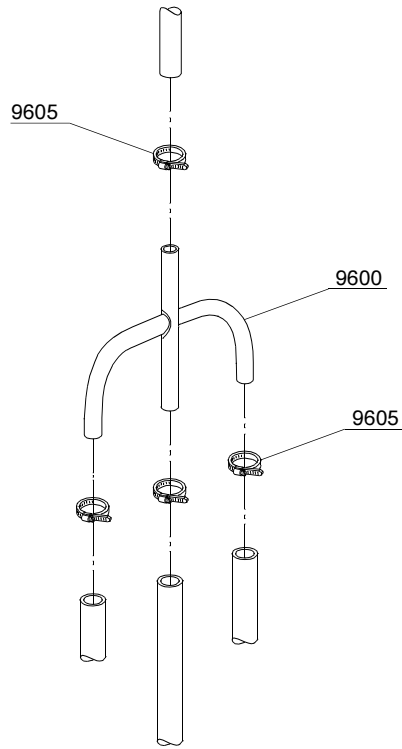
ID	P-code	Model	Type	Accessory	Voltage	Description
MODULE:Boiler group						
12400	13010		10R			OR gasket
12405	140905		10R			Boiler
12410	18206		10R			2,4KW heating element
12410	18206/D		10R			2,8KW heating element
12410	18215		10R			4KW heating element
12415	15550		10R			Safety thermostat



12_003_e

Spare parts

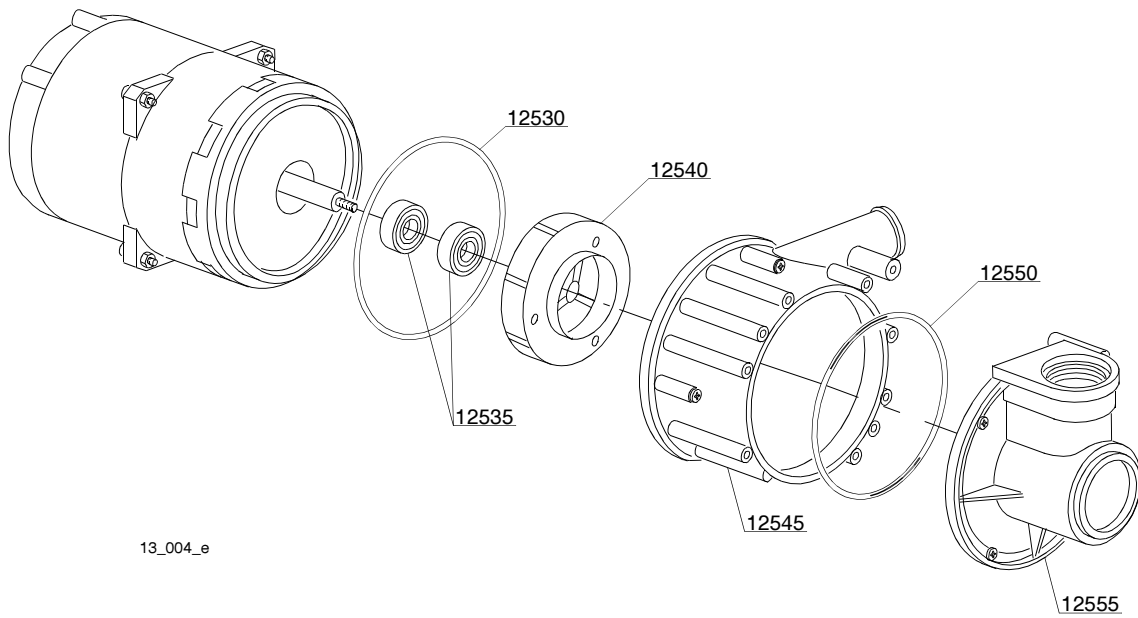
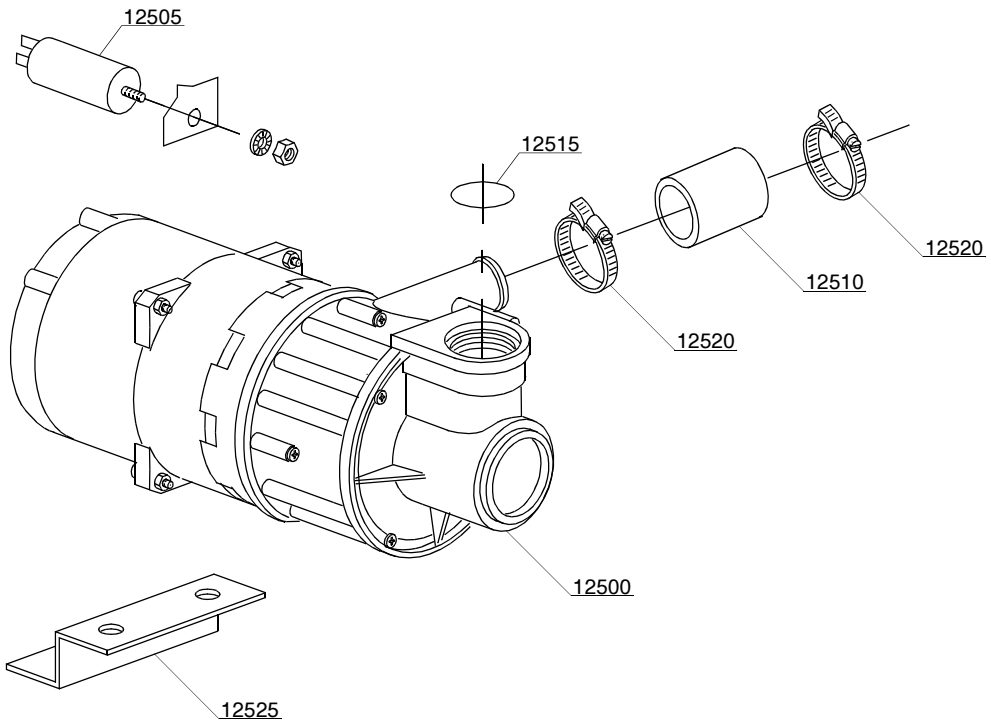
ID	P-code	Model	Type	Accessory	Voltage	Description
MODULE:3 ways derivation						
1800	540090		10R			O10 mm plastic 3 ways derivation
1805	11807		10R			12/22 clamp



12_004_e

Spare parts

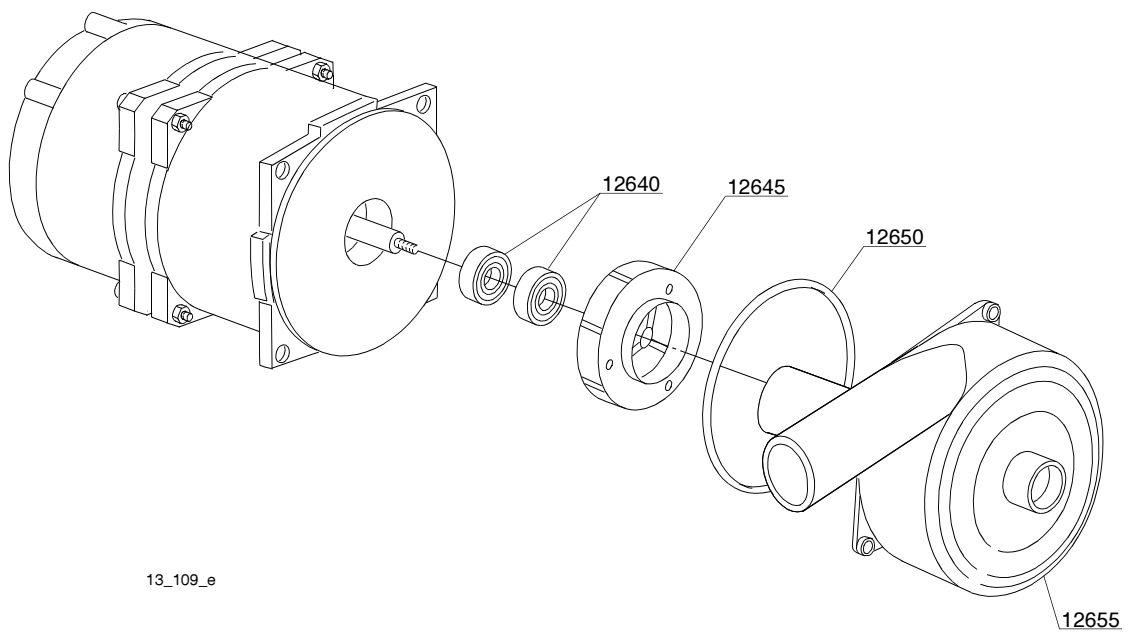
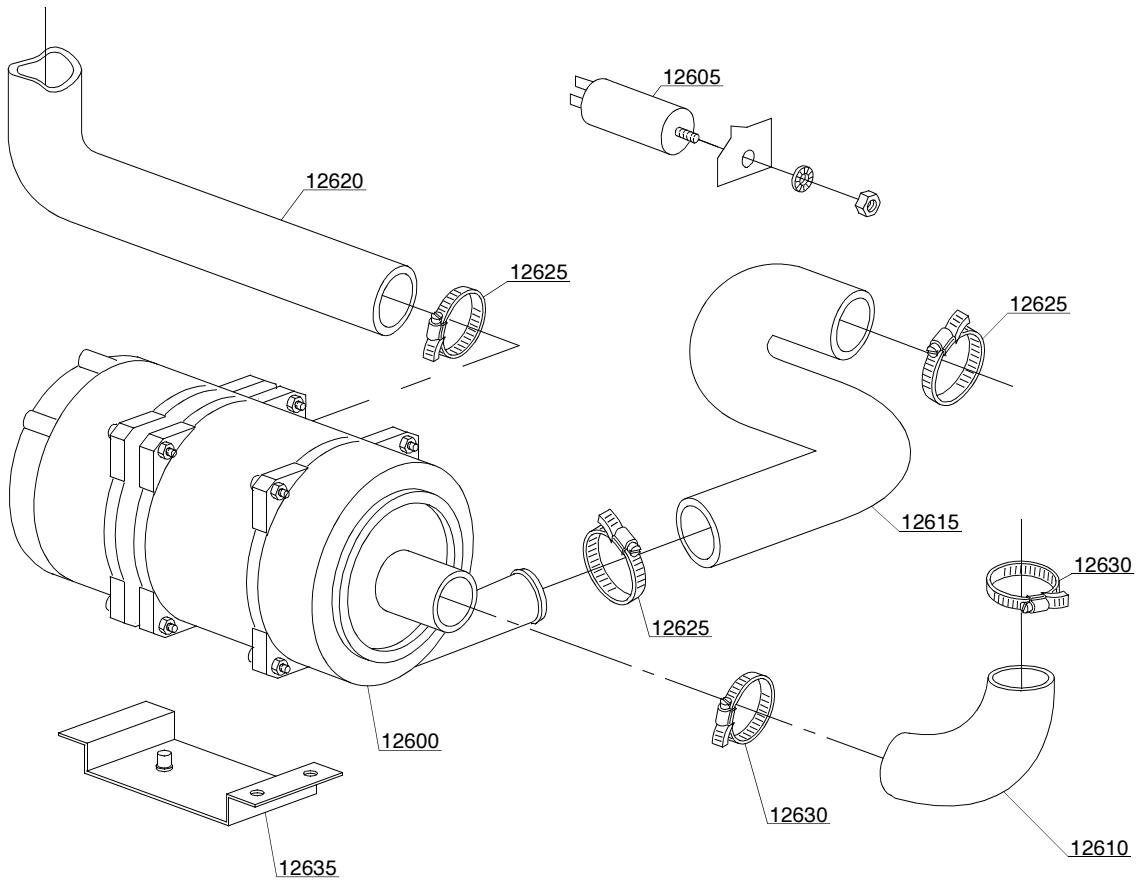
ID	P-code	Model	Type	Accessory	Voltage	Description
MODULE:4 ways derivation						
9600	15151		10R	cr		O10 mm 4 ways derivation
9605	11807		10R			12/22 clamp



13_004_e

Spare parts

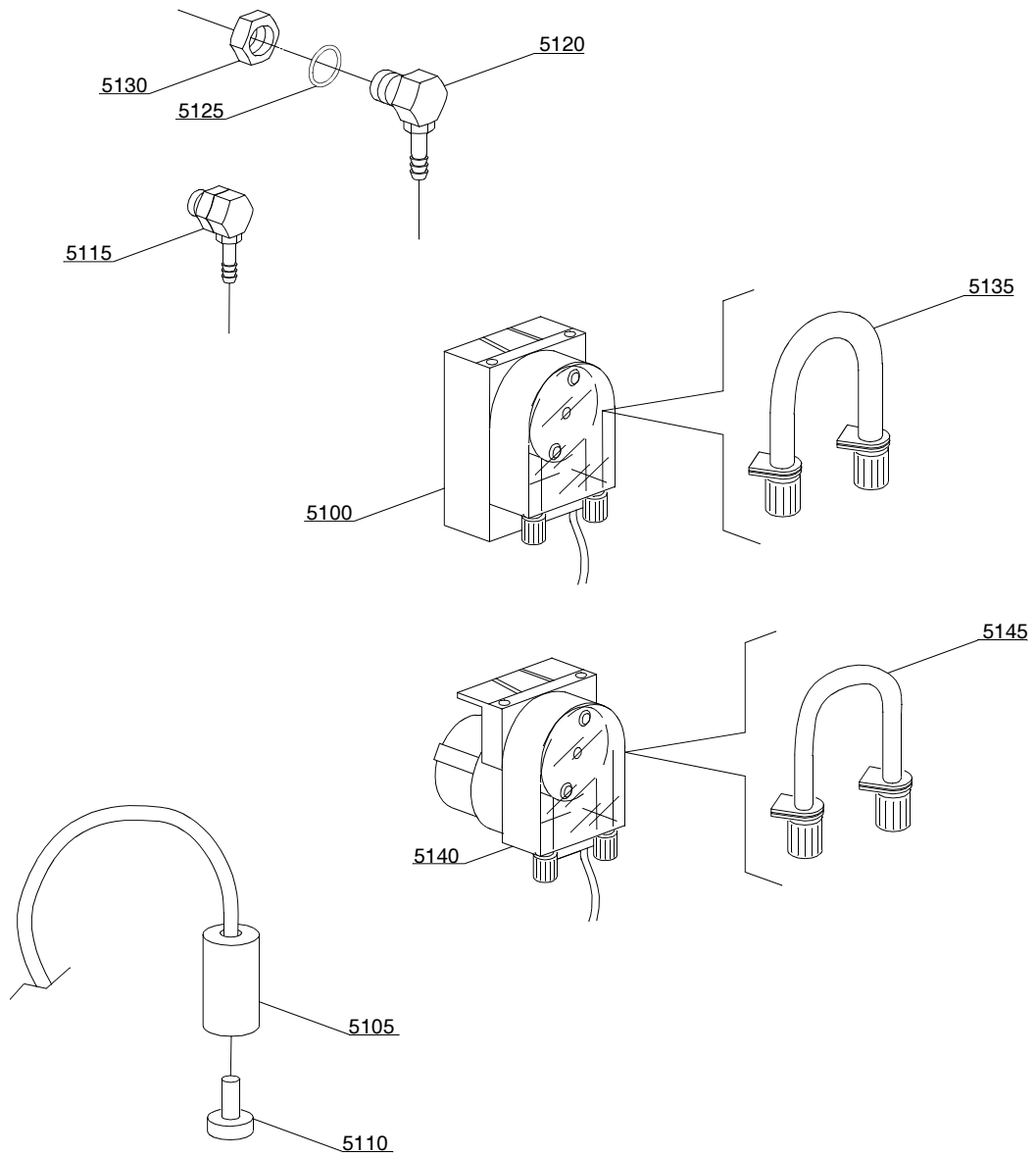
ID	P-code	Model	Type	Accessory	Voltage	Description
MODULE:Wash pump						
12500	135501		10R		A	0,30Hp wash pump
12500	135500		10R		H	0,30Hp 60Hz wash pump
12505	10702		10R			5 uF condenser
12510	10718		10R			Pump pipe coupling
12515	13019		10R			4137 OR 140 NBR gasket
12520	11806		10R			25/40 clamp
12525	440123		10R			Pump support
12530	135502		10R			OR gasket
12535	15080		10R			Rotating seals
12540	135505		10R			Pump rotor
12545	135504		10R			Delivery scroll
12550	135506		10R			OR gasket
12555	135503		10R			Suction scroll



13_109_e

Spare parts

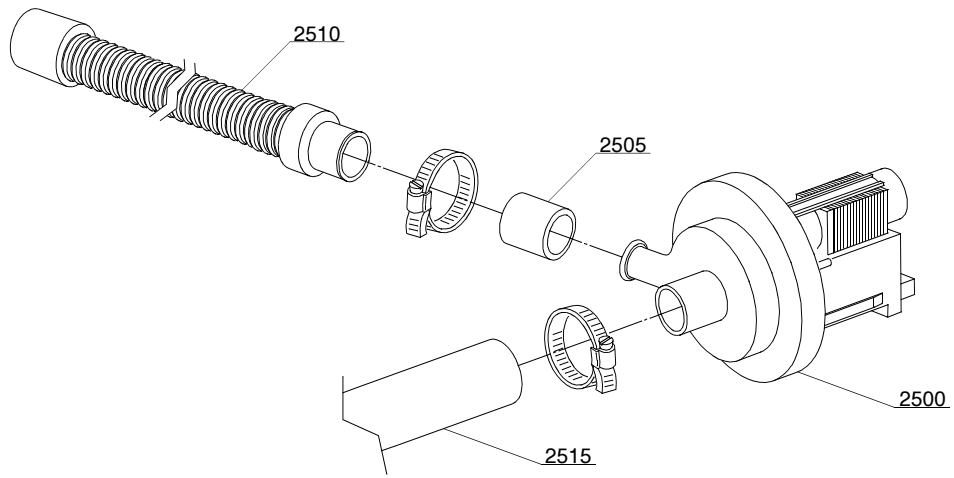
ID	P-code	Model	Type	Accessory	Voltage	Description
MODULE:Wash pump						
12600	18300		10R			0,45Hp wash pump
12600	18242/D		10R			0,30Hp 60Hz wash pump
12600	18242/B		10R			0,30Hp wash pump
12605	16043		10R			8 uF condenser
12610	18787		10R			Suction pipe coupling
12615	16168		10R			Lower wash delivery pipe
12620	16167		10R			Wash ramp
12625	11806		10R			25/40 clamp
12630	11809		10R			30/45 clamp
12635	440122		10R			Pump support
12640	15080		10R			Rotating seals
12645	18259		10R			Scroll
12650	18245		10R			OR gasket
12655	18247		10R			Scroll



14_004_e

Spare parts

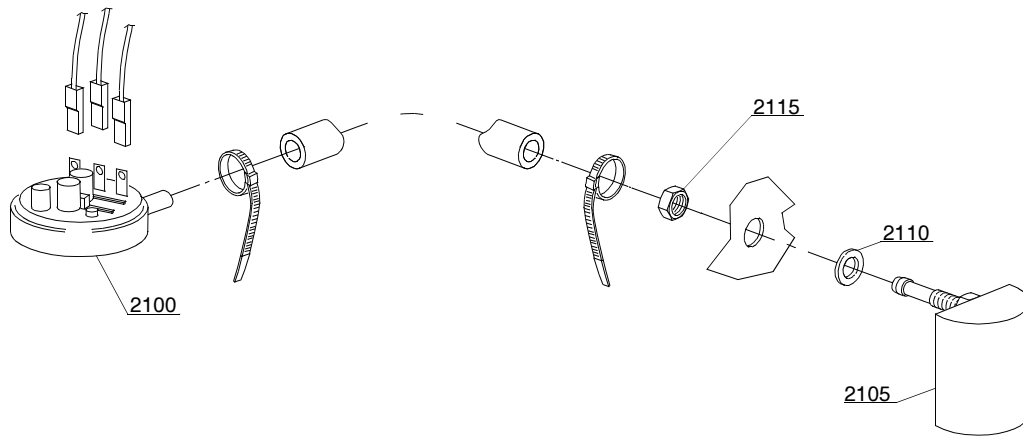
ID	P-code	Model	Type	Accessory	Voltage	Description
MODULE:Dosing device group						
5100	15985		10R	dd		Seko dosing device
5105	12525		10R	dd		Counter-weight
5110	15058		10R	dd		Small filter
5115	15123		10R	dd		Complet plastic injector
5120	15148		10R	dd		Steel injector
5125	15159		10R	dd		OR gasket
5130	10200205		10R	dd		M12x1 stainless steel nut
5135	15185		10R	dd		Seko thermoplastic pipe
5140	15985		10R	dd		Germac dosing device
5145	15108/E		10R	dd		Germac thermoplastic pipe



15_004_e

Spare parts

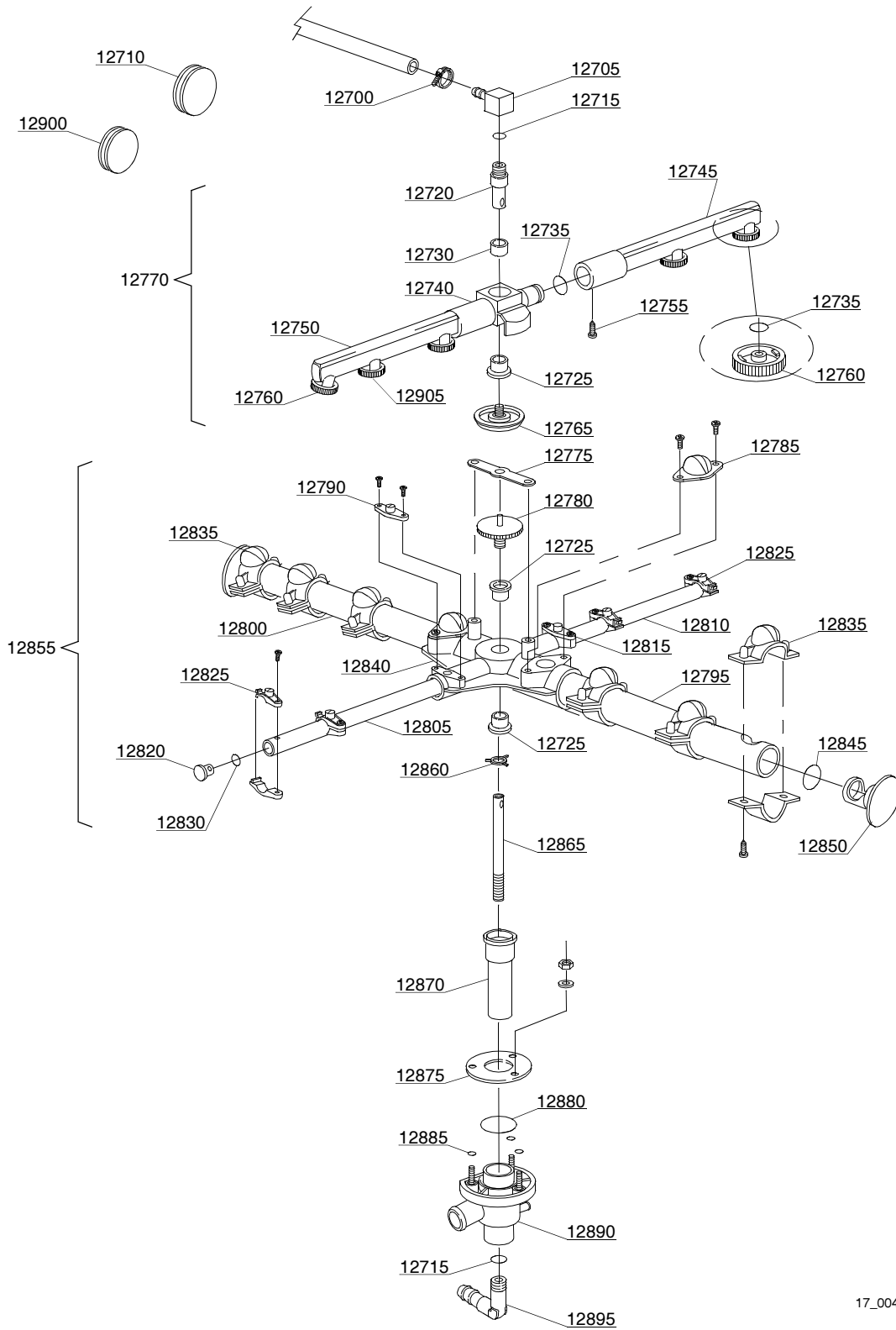
ID	P-code	Model	Type	Accessory	Voltage	Description
MODULE:Drain pump group						
2500	15101		10R	dp		Drain pump
2505	15101/D		10R	dp		Pipe fitting
2510	10727		10R	dp		Drain pipe
2515	18044		10R	dp		O28 top wash pipe



16_001_e

Spare parts

ID	P-code	Model	Type	Accessory	Voltage	Description
MODULE:Pressure switch group with air trap						
2100	10706/A		10R			47-27 pressure switch
2105	10911/B		10R			Air trap assembly
2110	13301		10R			Gasket
2115	11702		10R			M8 stainless steel nut



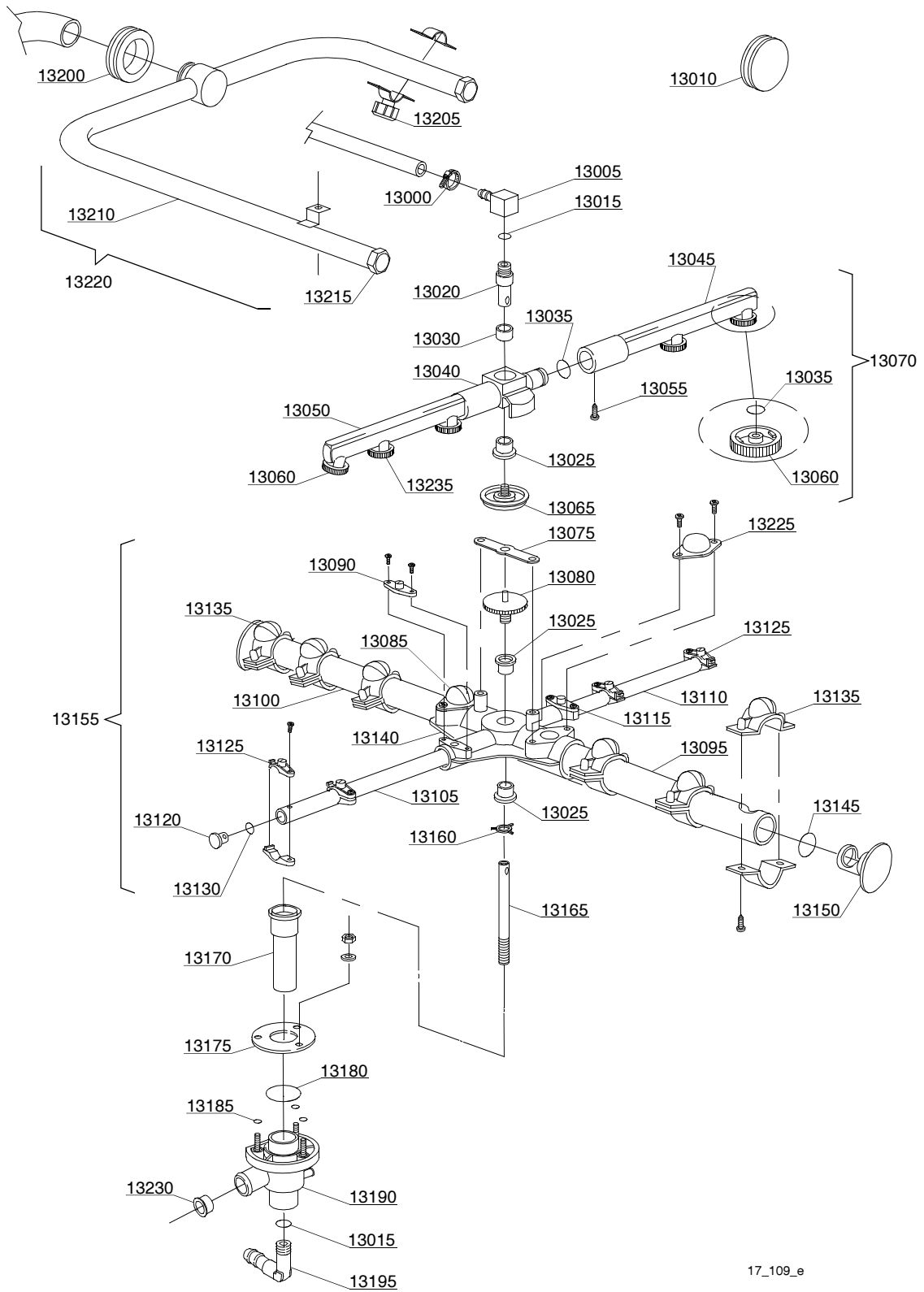
17_004_e

Spare parts

ID	P-code	Model	Type	Accessory	Voltage	Description
MODULE:Turret group with rotating arms						
12700	11807		10R			12/22 clamp
12705	350402		10R			Top turret rinse hub
12710	13316		10R			43x10 blind gasket
12715	13003		10R			OR 112 NBR gasket
12720	350401		10R			Lower axle rinse hub
12725	13319		10R			Sliding washer
12730	13320		10R			Sliding washer
12735	13002		10R			OR R6 NBR gasket
12740	10359		10R			Rinse rotor
12745	10360		10R			Right rinse pipe
12750	10361		10R			Left rinse pipe
12755	11004		10R			4x10 TCB O8 spax toothed screw
12760	12537		10R			Opened head rinse nozzle
12765	10365		10R			Handle with insert
12770	10996		10R			Top rinse group
12775	10210		10R			Blocking ring nut rotor plaque
12780	11101/A		10R			Stainless steel group fixing screw
12785	10212		10R			O18 opened plane nozzle
12790	10213		10R			O10 opened plane nozzle
12795	16501		10R			Right wash pipe
12800	16502		10R			Left wash pipe
12805	16503		10R			Right rinse pipe
12810	16504		10R			Left rinse pipe
12815	10217		10R			O10 closed plane nozzle
12820	12532		10R			O10 plastic plug
12825	12528		10R			O10 complet rinse nozzle
12830	13016		10R			2018 OR 103 NBR gasket
12835	10746		10R			Nozzle with horizontal fissure
12840	10208		10R			4 ways small rotor
12845	13009		10R			OR 2050 NBR gasket
12850	10256		10R			O18 plastic plug
12855	16950		10R			Lower wash/rinse group
12860	10203		10R			Guide pipe
12865	16039		10R			O10x1,5x185 steel ground shaft
12870	16250		10R			Bell-shape assembly with pipe coupling
12875	16038		10R			O60 stainless steel disk
12880	13000		10R			OR 3125 NBR gasket
12885	13001		10R			OR 104 NBR gasket
12890	10205/A		10R			Lower wash turret with hole
12895	12030		10R			3/8M O12 elbow pipe fitting
12900	13316/A		10R			DVGW hole gasket
12905	12538		10R			Closed head rinse nozzle

Spare parts

ID	P-code	Model	Type	Accessory	Voltage	Description
MODULE:Turret group with rotating arms						
26700	11807		10R			12/22 clamp
26705	350402		10R			Top turret rinse hub
26710	13316		10R			43x10 blind gasket
26715	13003		10R			OR 112 NBR gasket
26720	350401		10R			Lower axle rinse hub
26725	13319		10R			Sliding washer
26730	13320		10R			Sliding washer
26735	13002		10R			OR R6 NBR gasket
26740	10359		10R			Rinse rotor
26745	10360		10R			Right rinse pipe
26750	10361		10R			Left rinse pipe
26755	11004		10R			4x10 TCB O8 spax toothed screw
26760	12537		10R			Opened head rinse nozzle
26765	10365		10R			Handle with insert
26770	10996		10R			Top rinse group
26775	540998		10R			Lower wash/rinse group
26780	540013		10R			Wash rotor
26785	12538		10R			Closed head rinse nozzle
26790	10355		10R			Right wash pipe
26795	10356		10R			Left wash pipe
26800	10357		10R			Opened head wash nozzle
26805	13009		10R			OR 2050 NBR gasket
26810	10358		10R			Closed head wash nozzle
26815	10203		10R			Guide pipe
26820	16039		10R			O10x1,5x185 steel ground shaft
26825	16250		10R			Bell-shape assembly with pipe coupling
26830	16038		10R			O60 stainless steel disk
26835	13000		10R			OR 3125 NBR gasket
26840	13001		10R			OR 104 NBR gasket
26845	10205/A		10R			Lower wash turret with hole
26850	12030		10R			3/8M O12 elbow pipe fitting
26855	13316/A		10R			DVGW hole gasket



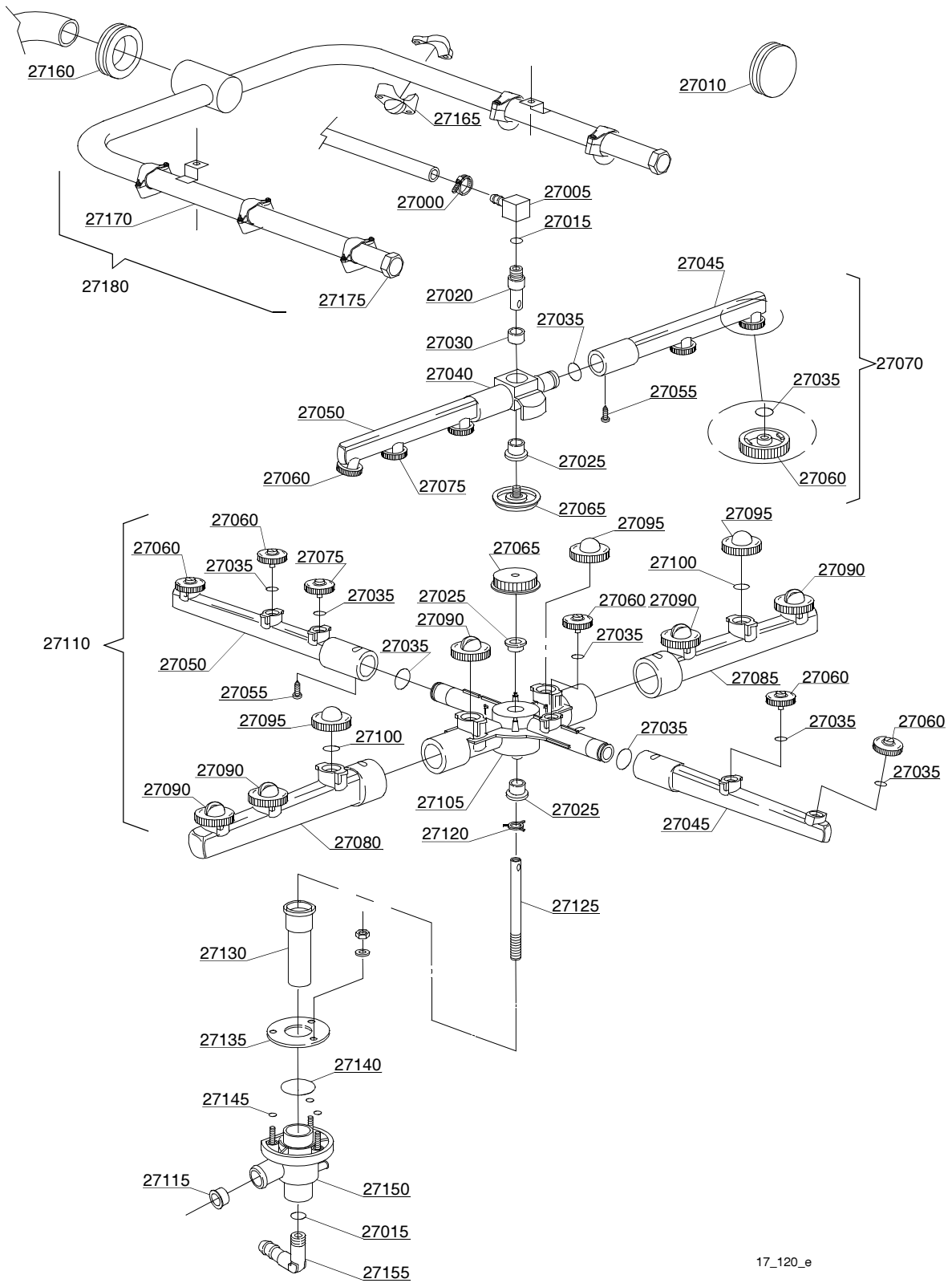
17_109_e

Spare parts

ID	P-code	Model	Type	Accessory	Voltage	Description
MODULE:Turret group with rotating arms						
13000	11807		10R			12/22 clamp
13005	350402		10R			Top turret rinse hub
13010	13316/A		10R			DVGW hole gasket
13015	13003		10R			OR 112 NBR gasket
13020	350401		10R			Lower axle rinse hub
13025	13319		10R			Sliding washer
13030	13320		10R			Sliding washer
13035	13002		10R			OR R6 NBR gasket
13040	10359		10R			Rinse rotor
13045	10360		10R			Right rinse pipe
13050	10361		10R			Left rinse pipe
13055	11004		10R			4x10 TCB O8 spax toothed screw
13060	12537		10R			Opened head rinse nozzle
13065	10365		10R			Handle with insert
13070	10996		10R			Top rinse group
13075	10210		10R			Blocking ring nut rotor plaque
13080	11101/I		10R			Stainless steel group fixing screw
13085	10212		10R			O18 opened plane nozzle
13090	10213		10R			O10 opened plane nozzle
13095	400601		10R			Right wash pipe
13100	400602		10R			Left wash pipe
13105	400603		10R			Right rinse pipe
13110	400604		10R			Left rinse pipe
13115	10217		10R			O10 closed plane nozzle
13120	12532		10R			O10 plastic plug
13125	12528		10R			O10 complet rinse nozzle
13130	13016		10R			2018 OR 103 NBR gasket
13135	10746/A		10R			Nozzle with horizontal fissure
13140	10208		10R			4 ways small rotor
13145	13009		10R			OR 2050 NBR gasket
13150	10256		10R			O18 plastic plug
13155	400909		10R			Wash/rinse group
13160	10203		10R			Guide pipe
13165	16039		10R			O10x1,5x185 steel ground shaft
13170	16250		10R			Bell-shape assembly with pipe coupling
13175	16038		10R			O60 stainless steel disk
13180	13000		10R			OR 3125 NBR gasket
13185	13001		10R			OR 104 NBR gasket
13190	10205/A		10R			Lower wash turret with hole
13195	12030		10R			3/8M O12 elbow pipe fitting
13200	13306/A		10R			Top wash ramp gasket
13205	18135		10R			Wash nozzle
13210	16161		10R			Top wash pipe
13215	12503		10R			Plug

Spare parts

ID	P-code	Model	Type	Accessory	Voltage	Description
13220	16920		10R			Top wash group
13225	10216		10R			O10 closed plane nozzle
13230	18249		10R			Flux reducer
13235	12538		10R			Closed head rinse nozzle



17_120_e

Spare parts

ID	P-code	Model	Type	Accessory	Voltage	Description
MODULE:Turret group with rotating arms						
27000	11807		10R			12/22 clamp
27005	350402		10R			Top turret rinse hub
27010	13316/A		10R			DVGW hole gasket
27015	13003		10R			OR 112 NBR gasket
27020	350401		10R			Lower axle rinse hub
27025	13319		10R			Sliding washer
27030	13320		10R			Sliding washer
27035	13002		10R			OR R6 NBR gasket
27040	10359		10R			Rinse rotor
27045	10360		10R			Right rinse pipe
27050	10361		10R			Left rinse pipe
27055	11004		10R			4x10 TCB O8 spax toothed screw
27060	12537		10R			Opened head rinse nozzle
27065	10365		10R			Handle with insert
27070	10996		10R			Top rinse group
27075	12538		10R			Closed head rinse nozzle
27080	10355		10R			Right wash pipe
27085	10356		10R			Left wash pipe
27090	10366		10R			1,9 opened head wash nozzle
27095	10358		10R			Closed head wash nozzle
27100	13009		10R			OR 2050 NBR gasket
27105	540013		10R			Wash rotor
27110	540995		10R			Top/lower wash/rinse group
27115	18249		10R			Flux reducer
27115	12518		10R	ws		Flux reducer
27120	10203		10R			Guide pipe
27125	16039		10R			O10x1,5x185 steel ground shaft
27130	16250		10R			Bell-shape assembly with pipe coupling
27135	16038		10R			O60 stainless steel disk
27140	13000		10R			OR 3125 NBR gasket
27145	13001		10R			OR 104 NBR gasket
27150	10205/A		10R			Lower wash turret with hole
27155	12030		10R			3/8M O12 elbow pipe fitting
27160	13306/A		10R			Top wash ramp gasket
27165	10221		10R			Wash nozzle
27170	16161		10R			Top wash pipe
27175	12503		10R			Plug
27180	16920		10R			Top wash group