

# **MF6B Parts List**

## **Table of Contents**

**Cabinet**

**Major Assemblies**

**Air Cooled**

**Water Cooled**

**Spout & Reservoir**

**Evaporator**

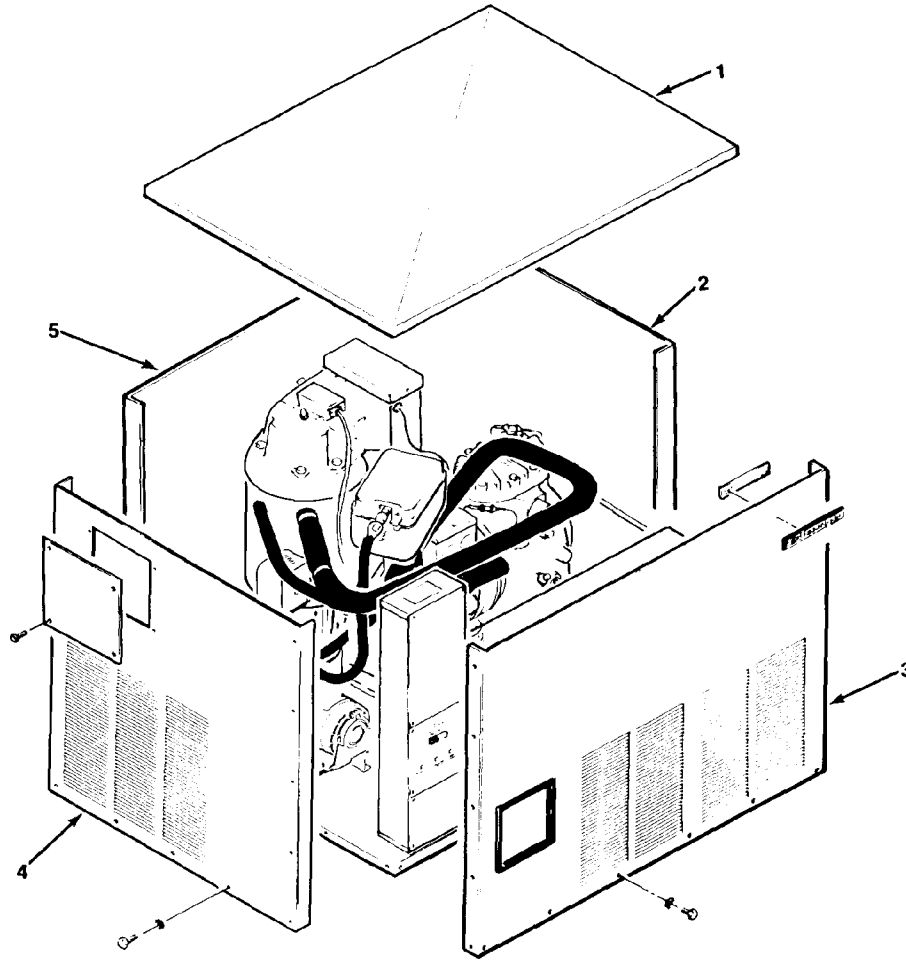
**Gearbox**

**Control Box - Air Cooled**

**Control Box - Water Cooled**

**Wiring Diagrams**

# MF6B THE PARTS ILLUSTRATIONS AND PARTS LISTS



## CABINET ASSEMBLY

ITEM NUMBER	PART NUMBER	DESCRIPTION		PART NUMBER	DESCRIPTION
1	A25883-004	TOP PANEL (ENAMEL)			
	A25883-002	TOP PANEL (STAINLESS STEEL)			
2	A25881-004	RIGHT SIDE PANEL (ENAMEL)			
	A25881-002	RIGHT SIDE PANEL (STAINLESS STEEL)			
3	A25882-004	FRONT PANEL (ENAMEL)			
	A25882-002	FRONT PANEL (STAINLESS STEEL)			
	15-0156-00	EMBLEM			
	03-1562-01	TUBULAR SPEED CLIP			
	13-0801-01	TRIM MOLDING			
			4	A25879-004	LEFT SIDE PANEL (ENAMEL)
				A25879-002	LEFT SIDE PANEL (STAINLESS STEEL)
				A25919-004	COVER (ENAMEL)
				A25919-002	COVER (STAINLESS STEEL)
			5	A25885-004	BACK PANEL (ENAMEL)
				A25885-002	BACK PANEL (STAINLESS STEEL)
				03-1417-09	LOCKWASHER, EXTERNAL TOOTH 1/4 INCH
				03-0571-00	SCREW, THREAD CUTTING HEX HEAD 1/4-20 x 1/2-INCH

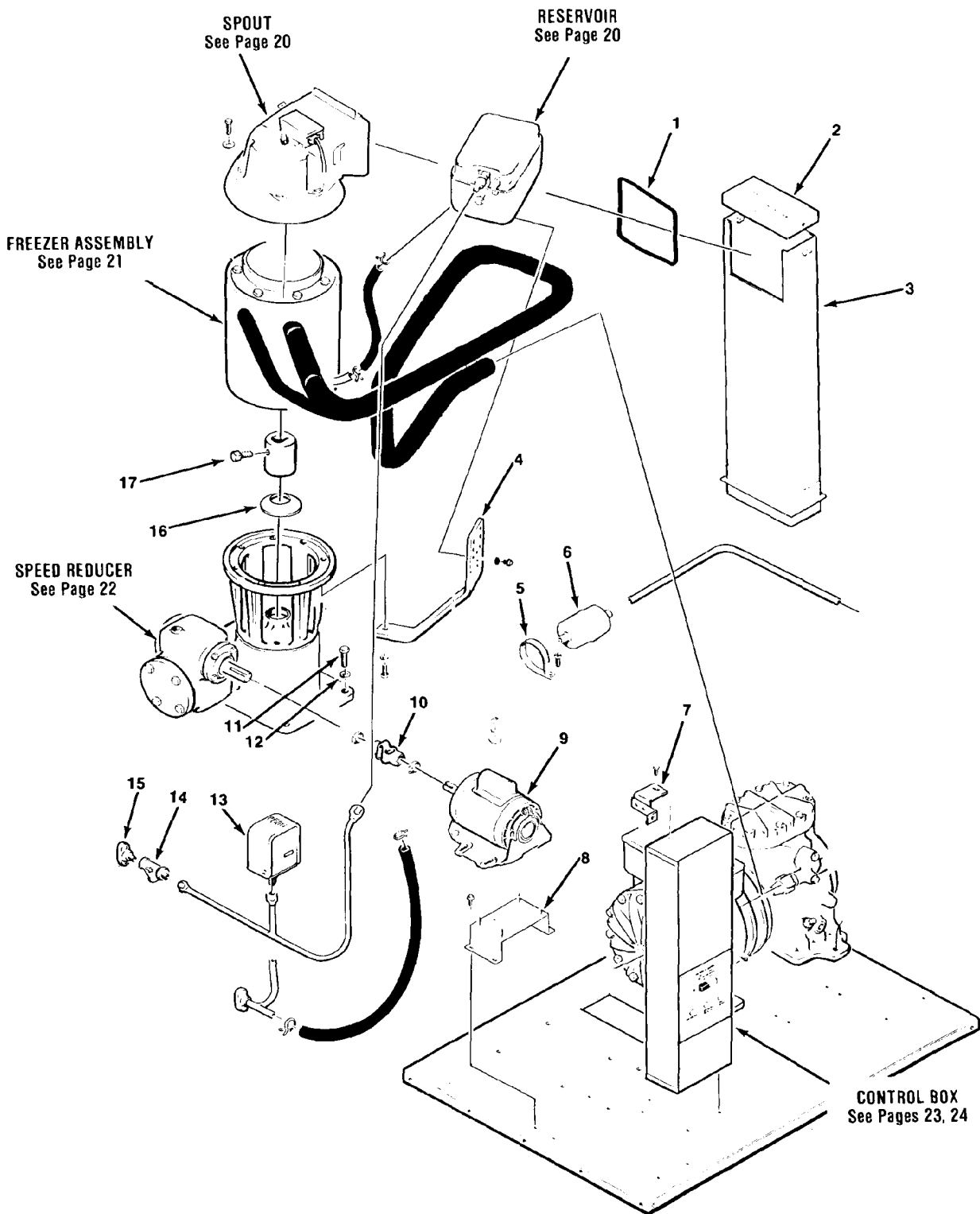
# MF6B

## THE PARTS ILLUSTRATIONS AND PARTS LISTS

### MAJOR ASSEMBLIES

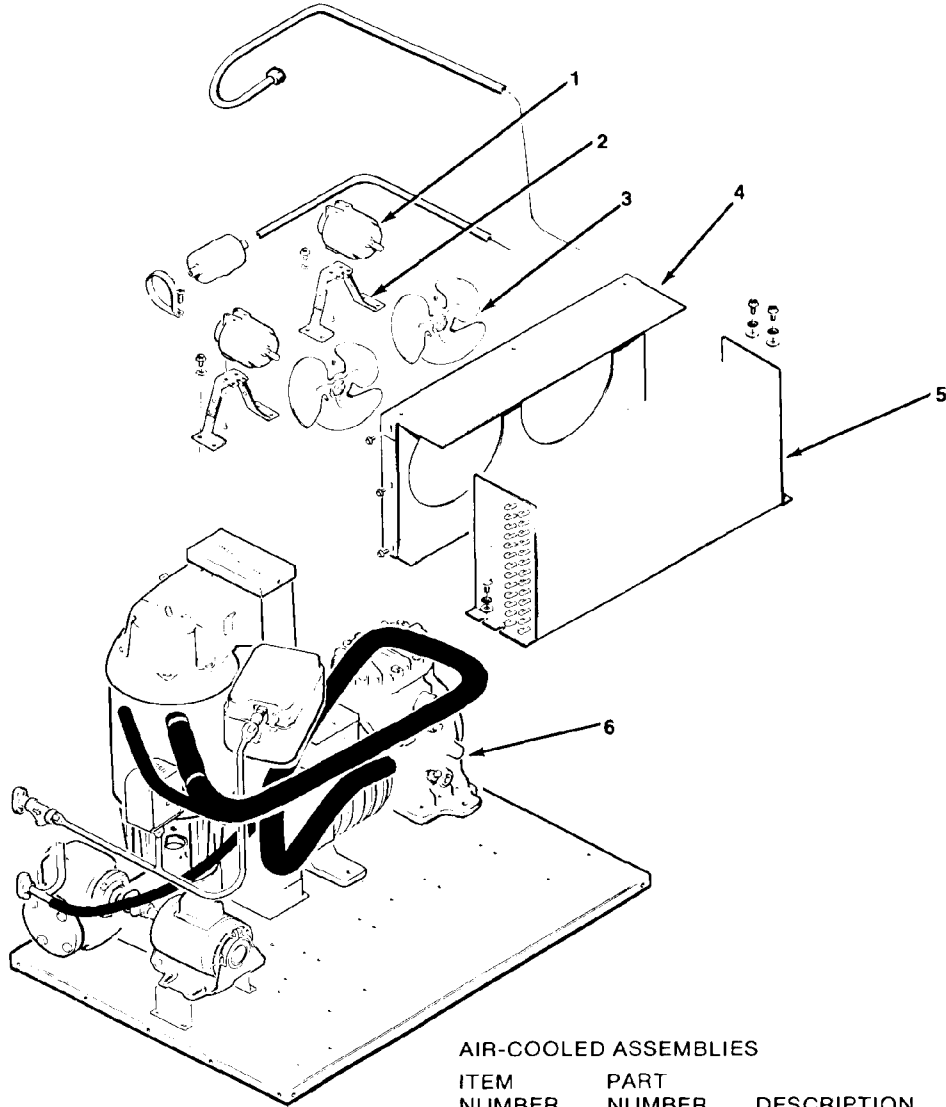
ITEM NUMBER	PART NUMBER	DESCRIPTION
1	13-0595-00	GASKET (25")
2	A25925-001	COVER
3	A25895-001	ICE CHUTE
4	<i>No Number</i>	RESERVOIR SUPPORT
		Attaching Parts Index 4
	03-0571-00	SCREW
	03-1417-09	LOCKWASHER
5	<i>No Number</i>	DRYER BRACE
		Attaching Parts Index 5
	03-1403-54	SCREW
	A20448-000	SLEEVE
6	02-0822-01	DRYER
7	<i>No Number</i>	CONTROL BOX BRACKET
		Attaching Parts Index 7
	03-0571-00	SCREW
	03-1417-09	LOCKWASHER
	03-1483-26	SCREW
8	A08893-000	MOTOR MOUNT
9	12-2226-32	DRIVEMOTOR
		Attaching Parts Index 9
	03-1406-08	NUT
	03-1407-05	WASHER
	A09239-000	SHIM
	03-1410-03	LOCKWASHER
	03-1417-09	LOCKWASHER
	A09239-001	SHIM
10	A18341-001	COUPLING ASSEMBLY
11	03-1405-34	SCREW
12	03-1417-16	LOCKWASHER
13	11-0296-00	WATER PRESSURE CONTROL
		Attaching Parts Index 3
	12-1213-10	BUSHING
14	A09056-000	RESERVOIR STRAINER
15	<i>No Number</i>	WATER IN-DRAIN CONNECTIONS
16	A09056-000	RUBBER SHIELD
17	A08895-00	COUPLING ASSEMBLY
		Attaching Parts Index 17
	02-1950-00	KEY
	03-0431-02	SET SCREW

# MF6B THE PARTS ILLUSTRATIONS AND PARTS LISTS



*Major Assemblies*

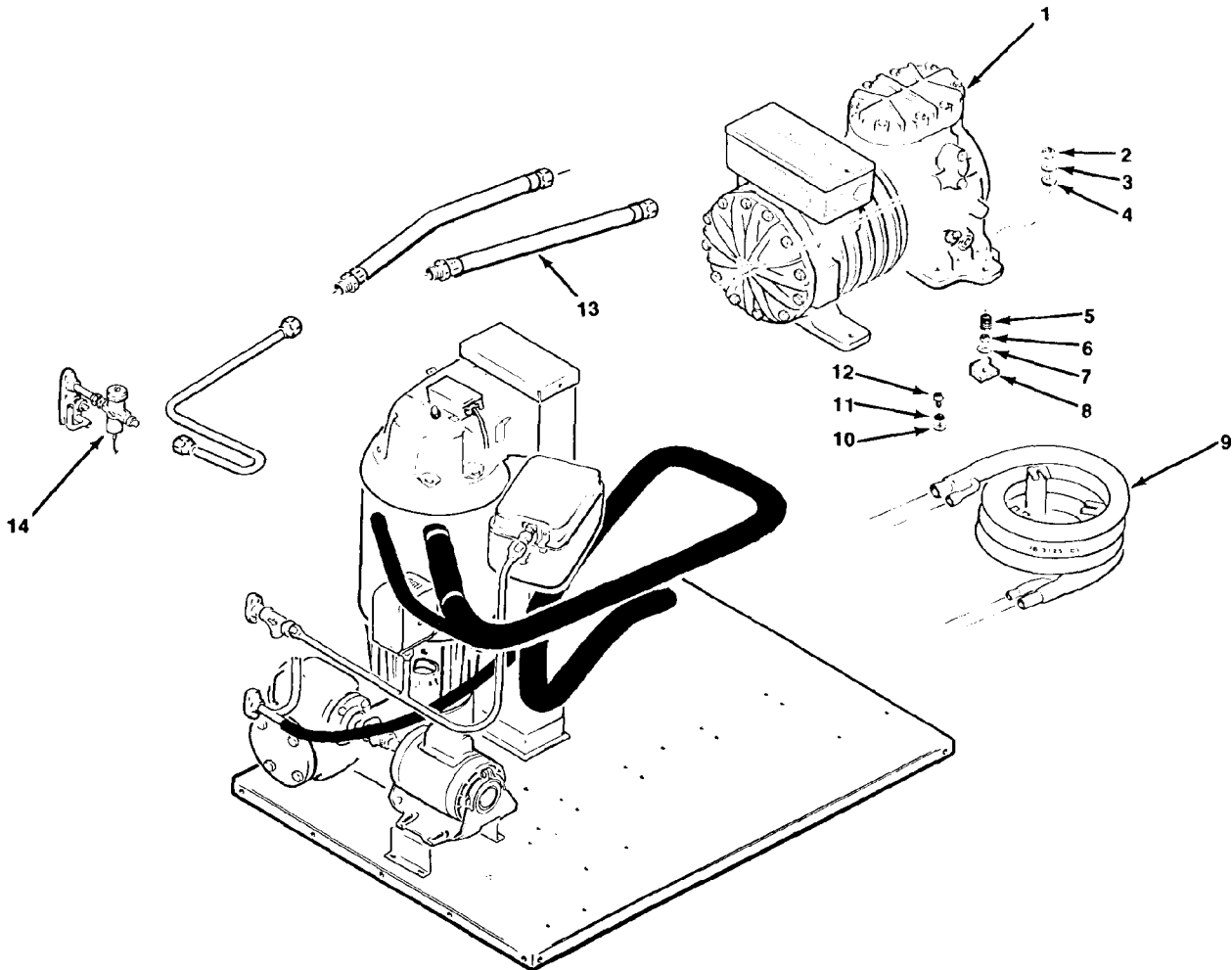
# MF6B THE PARTS ILLUSTRATIONS AND PARTS LISTS



## AIR-COOLED ASSEMBLIES

ITEM NUMBER	PART NUMBER	DESCRIPTION
1	18-0788-02	MOTOR, FAN 230/60/1
	18-0788-07	MOTOR, FAN 208/60/1
2	18-1421-00	MOUNT, MOTOR
		Attaching Parts Index 2
	03-0571-00	SCREW
	03-1410-03	LOCKWASHER
3	18-0787-00	BLADE, FAN
4	02-2564-01	SHROUD, CONDENSER
		Attaching Parts Index 4
	03-1404-15	SCREW
5	18-0399-01	CONDENSER
		Attaching Parts Index 5
	03-0571-00	SCREW
	03-1407-06	WASHER
	03-1407-08	WASHER
6	18-0700-00	COMPRESSOR 230/60/1
	18-0711-00	COMPRESSOR 208/60/1
	18-0763-00	COMPRESSOR
		208-220/60/3

# MF6B THE PARTS ILLUSTRATIONS AND PARTS LISTS



## WATER-COOLED ASSEMBLIES

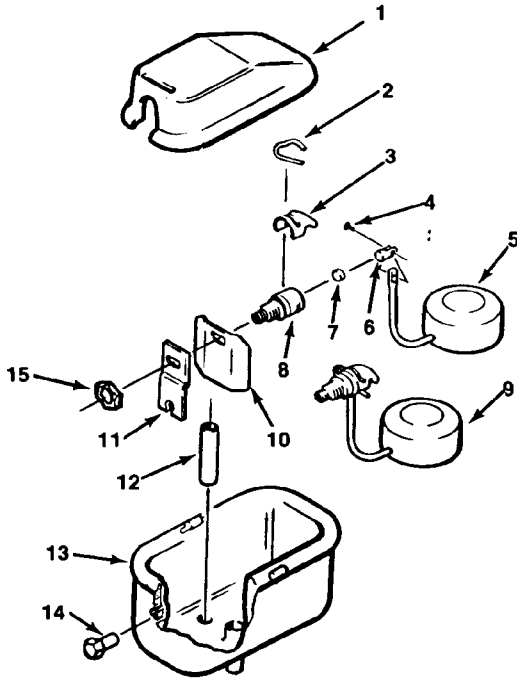
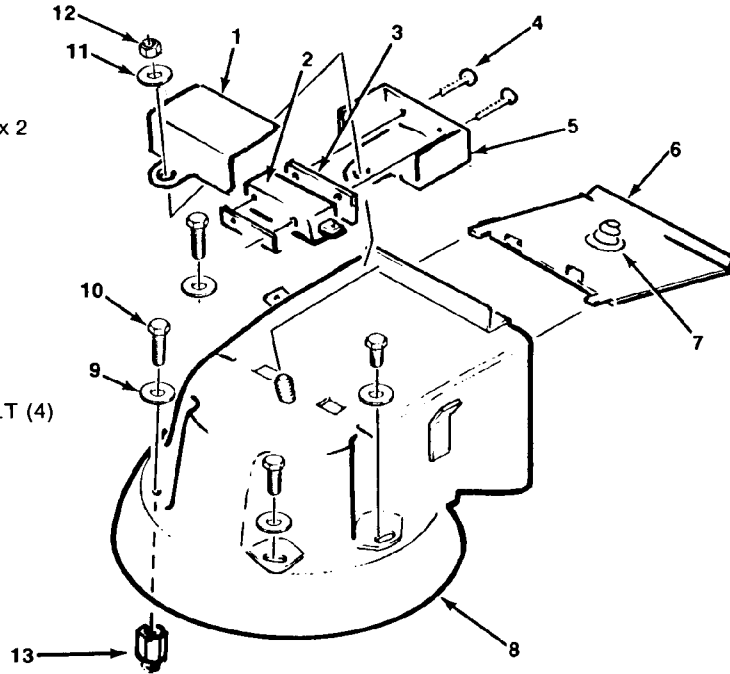
ITEM NUMBER	PART NUMBER	DESCRIPTION
1	18-0702-00	COMPRESSOR, 230/60/1
	18-0704-00	COMPRESSOR, 208/60/1
	18-0718-00	COMPRESSOR, 208-220/60/3
2	18-1400-24	MOUNTING NUT
3	03-1407-10	WASHER
4	No Number	RUBBER SPACER
5	No Number	GRAY SPRING
6	No Number	MOUNTING NUT
7	No Number	WASHER
8	No Number	MOUNTING PAD
	No Number	Attaching Parts Index 8
	No Number	MOUNTING STUD
9	18-3725-01	CONDENSER
10	03-1407-66	(3) WASHER
11	03-1417-09	(3) WASHER
12	03-1405-03	(3) SCREW
13	16-0271-00	(2) WATER HOSE ASSEMBLY
14	11-0198-00	WATER VALVE ASSEMBLY
	03-1408-47	Attaching Parts Index 14 SCREW

# MF6B

## THE PARTS ILLUSTRATIONS AND PARTS LISTS

### SPOUT ASSEMBLY

ITEM NUMBER	PART NUMBER	DESCRIPTION
1	A14241-000	LIMIT BOX COVER
2	12-1018-00	SWITCH
		Attaching Parts Index 2
	03-0886-00	SPEED NUT
3	No Number	INSULATION
4	03-0698-00	(3) SCREW
5	A16849-000	BOX LIMIT
6	A16670-000	PRESSURE PLATE
7	02-1321-00	SPRING
8	A25965-001	SPOUT ASSEMBLY
9	03-1407-07	WASHER
10	03-1420-02	SCREW
11	03-1417-16	LOCKWASHER
12	A16936-000	NUT
13	A20956-000	MALE-FEMALE BOLT (4)

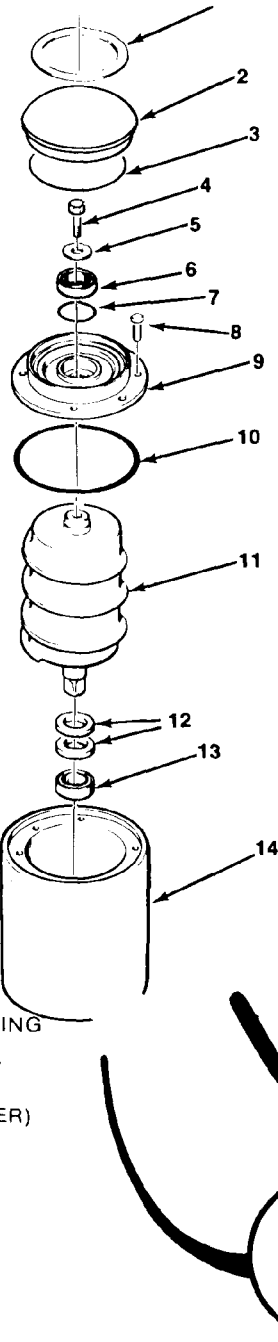


### RESERVOIR ASSEMBLY

ITEM NUMBER	PART NUMBER	DESCRIPTION
1	A12870-000	RESERVOIR COVER
2	02-1259-00	VALVE PIN
3	02-1320-00	DEFLECTOR
4	03-1001-00	RIVET
5	No Number	FLOAT
6	No Number	SEAT HOLDER
7	S06947-000	VALVE SEAT
8	No Number	WATER INLET VALVE
9	A09101-020	VALVE COMPLETE INCLUDES ITEMS 3, 7, 2, 4, 6, 8 & 5
10	A18418-000	WATER DEFLECTOR
11	A12869-000	BRACKET
12	S06715-000	STAND PIPE
13	A13413-000	RESERVOIR BODY
14	A08055-000	BRACKET NUT
15	S07044-000	NUT
	A08868-000	RESERVOIR COMPLETE (Less Items 1 and 12)

Not Available Separately  
\*Use Item 9

# MF6B THE PARTS ILLUSTRATIONS AND PARTS LISTS



**NOTE:**

Ice breaker has ten holes around circumference, six of these are used to secure breaker to freezer barrel. The four remaining holes are threaded and are used to lift breaker and worm shaft up. You remove the six holding screws, re-insert (4) screws into lifter or threaded holes. These have no bottom on barrel and by evenly drawing them down, ice breaker and worm is lifted up.

**FREEZER ASSEMBLY**

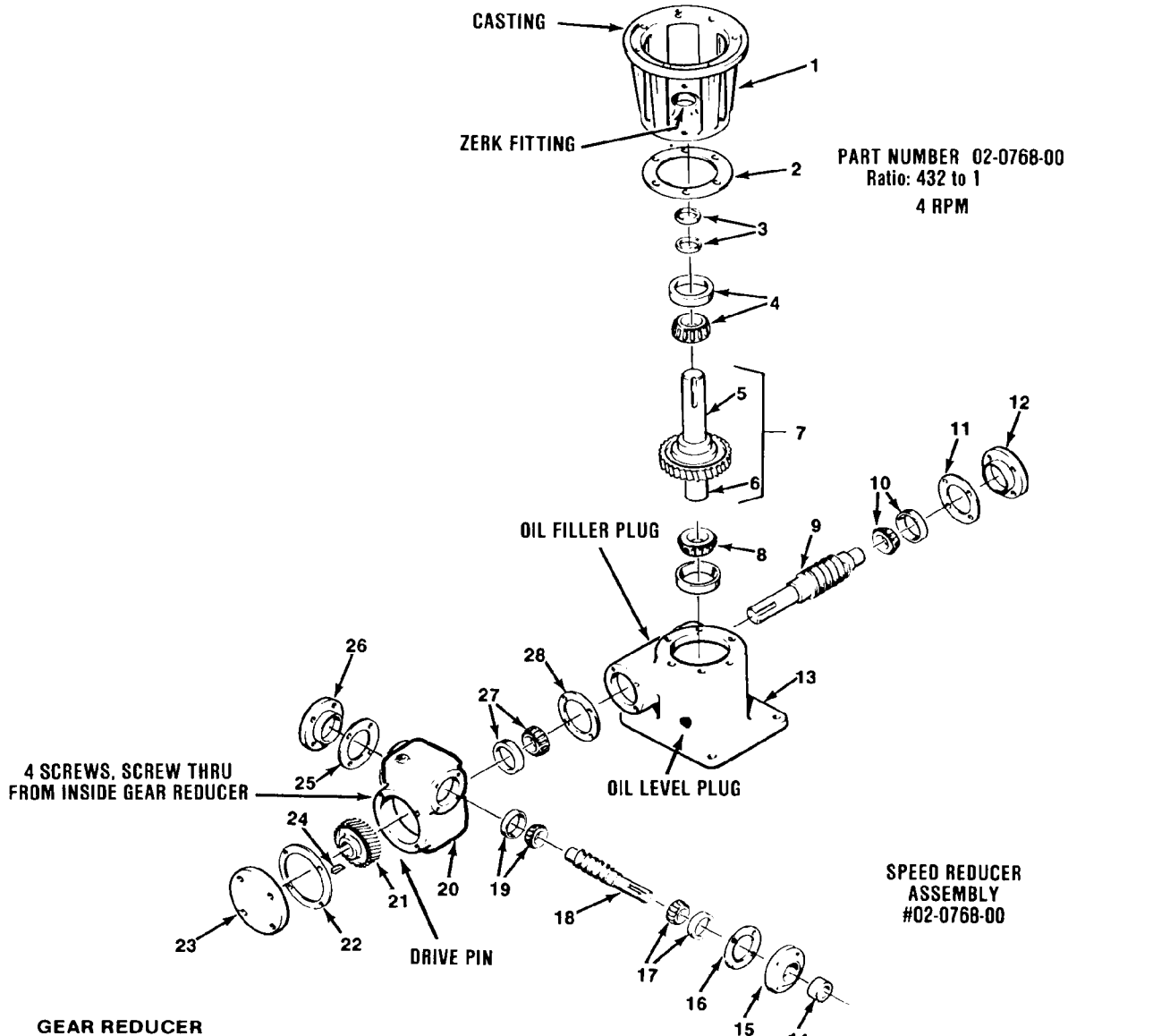
ITEM NUMBER	PART NUMBER	DESCRIPTION
1	13-0617-18	"O" RING
2	13-0231-00	CAP ICE
3	A09047-000	CAP STYROFOAM
4	03-1450-36	HEX CAP SCREW
5	A06273-000	WASHER
6	02-0619-00	BEARING
7	13-0617-15	"O" RING
8	03-1405-25	HEX CAP SCREWS (6)
9	A11351-000	BREAKER ICE WITH BEARING
10	13-0617-17	"O" RING
11	A26075-001	WORM SHAFT ASSEMBLY
12	02-0776-01	SEAL WATER
13	02-0775-00	BEARING LOWER (SPACER)
14	A08858-020	REPAIR FREEZER
15	A25889-001	SUCTION AND CAP TUBE ASSEMBLY

**NOTE:**

Lower bearing or water seal should be removed by pulling from the top. If bearing is worn badly and cannot be removed with a bearing puller, it can be pushed out by using three (3) 1/4 x 20 screws three inches long inserted in the tapped holes provided in the lower bearing retainer.



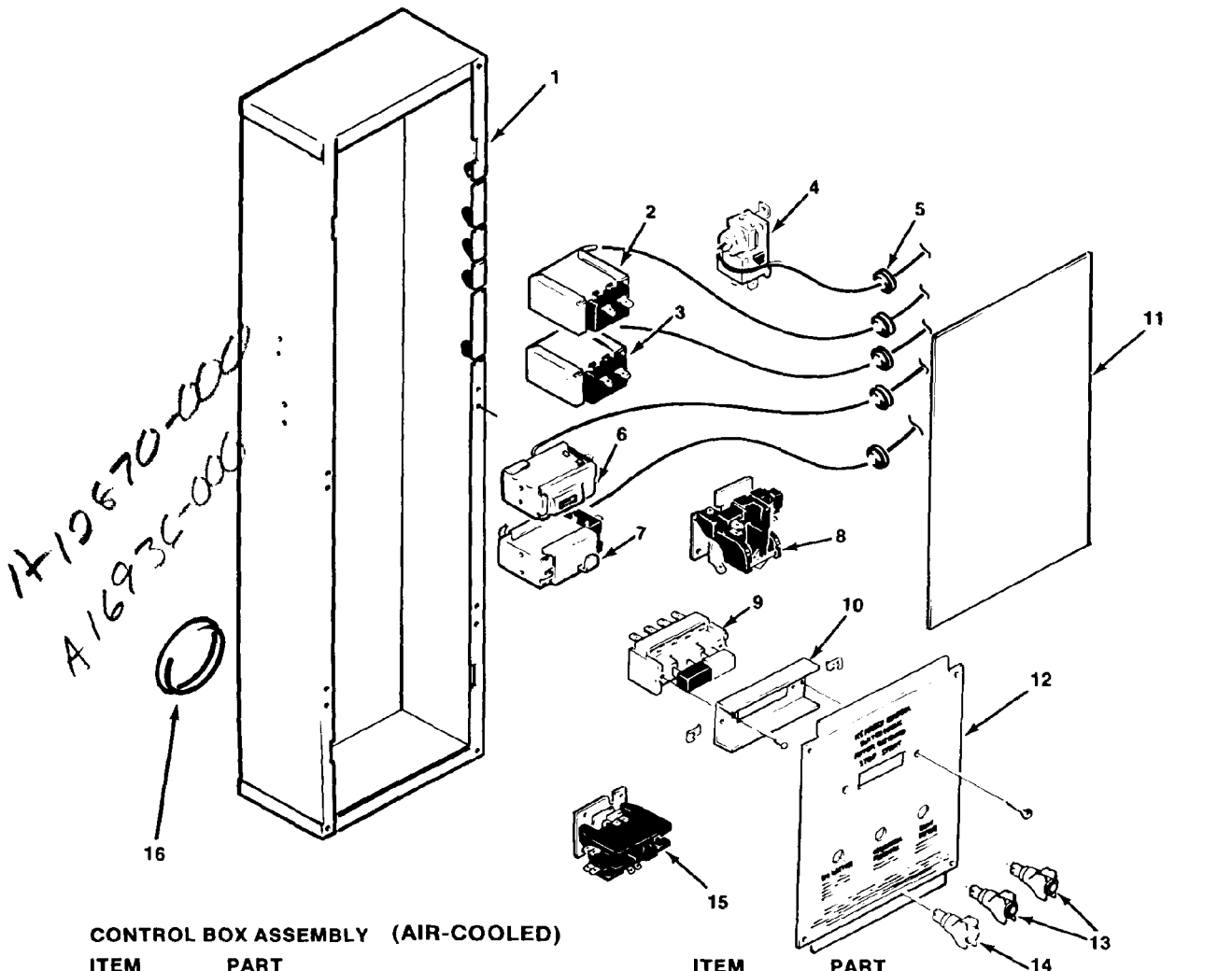
# MF6B THE PARTS ILLUSTRATIONS AND PARTS LISTS



**GEAR REDUCER**

ITEM NUMBER	PART NUMBER	DESCRIPTION	ITEM NUMBER	PART NUMBER	DESCRIPTION
1	No Number	ADAPTOR	14	02-0768-20	HIGH SPEED OIL SEAL
2	02-0768-28	COVER GASKET	15	No Number	END CAP
3	02-0768-21	SLOW SPEED OIL SEAL	16	02-0768-25	HIGH SPEED GASKET
4	02-0268-22	SLOW SPEED BEARING	17	02-0768-24	HIGH SPEED ROLLER BEARING
5	02-0768-30	SPACER LONG SLOW SPEED	18	02-0768-39	WORM SHAFT
6	02-0768-29	SPACER SHORT SLOW SPEED	19	02-0768-24	HIGH SPEED ROLLER BEARING
7	02-0768-42	HI SPEED ATTACH HSG COVER	20	No Number	HOUSING
8	02-0768-22	SLOW SPEED BEARING	21	02-0768-40	GEAR
9	02-0768-38	WORM SHAFT	22	02-0768-27	INTERMEDIATE GASKET
10	02-0768-23	INTERMEDIATE ROLLER BEARING	23	No Number	END CAP
11	02-0768-26	HOUSING GASKET	24	02-0768-37	KEY AND ROLL PIN
12	No Number	END CAP	25	02-0768-25	HIGH SPEED GASKET
13	No Number	HOUSING	26	No Number	END CAP
			27	02-0768-23	INTERMEDIATE BEARING
			28	02-0768-26	GASKET

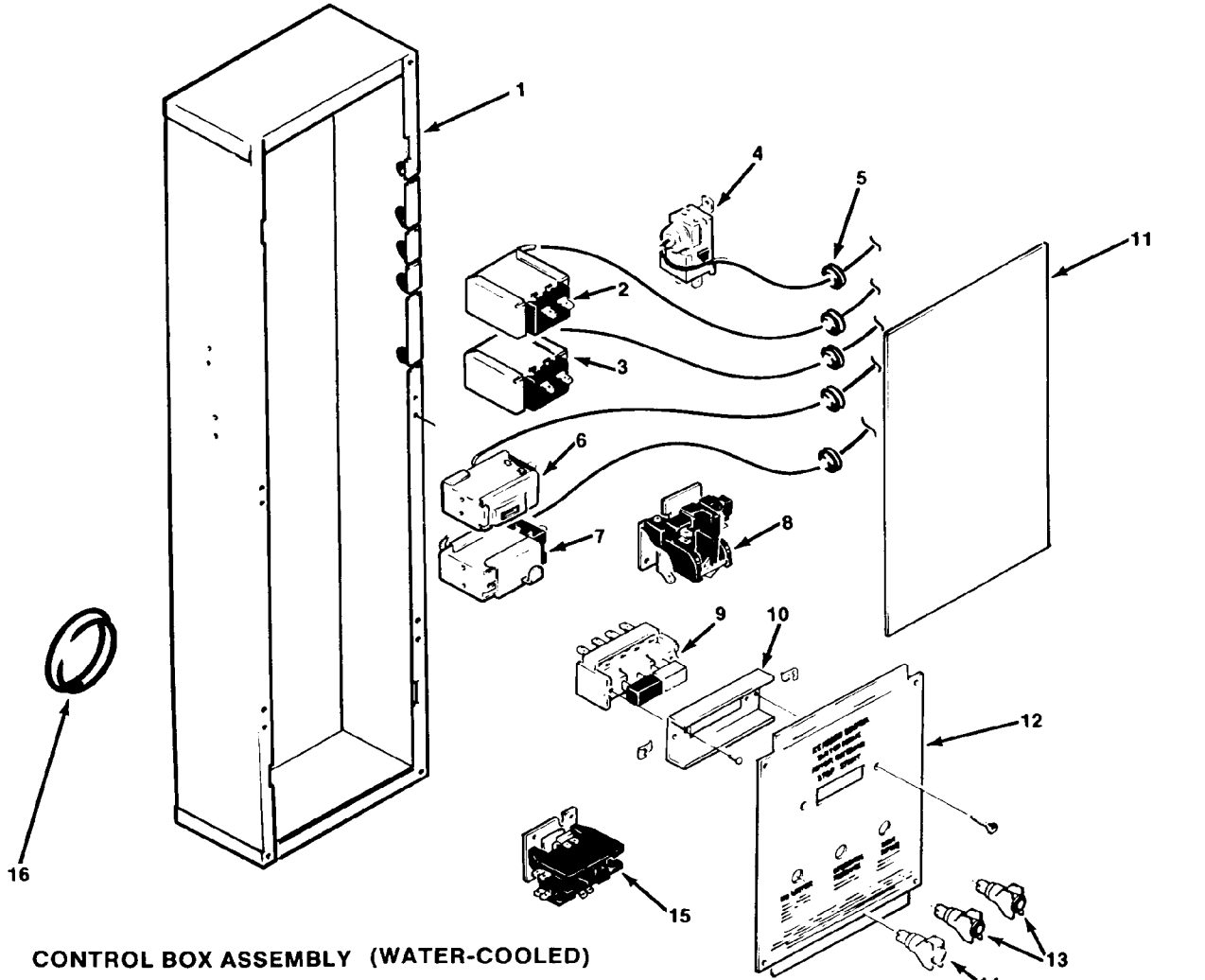
# MF6B THE PARTS ILLUSTRATIONS AND PARTS LISTS



### CONTROL BOX ASSEMBLY (AIR-COOLED)

ITEM NUMBER	PART NUMBER	DESCRIPTION	ITEM NUMBER	PART NUMBER	DESCRIPTION
1	No Number	CONTROL BOX	8	12-2225-01	RELAY
2	11-0342-00	HIGH PRESSURE CONTROL (Air-Cooled Only) LEFT SIDE			Attaching Parts Index 8
		Attaching Parts Index 2	9	03-1403-26	SCREW 10 x 3/8
3	03-1403-02	SCREW 6 x 3/8		12-2227-01	SWITCH
	11-0343-00	HIGH PRESSURE CONTROL (Air-Cooled Only) RIGHT SIDE			Attaching Parts Index 9
		Attaching Parts Index 3	10	No Number	SWITCH BRACKET
4	03-1403-02	SCREW 6 x 3/8			Attaching Parts Index 10
	11-0354-00	TEMPERATURE CONTROL		03-1423-01	(2) SPEED NUT
		Attaching Parts Index 4	11	03-1419-12	(2) SCREW 6 x 7/8
5	03-1403-17	SCREW 8 x 3/8		No Number	COVER
	13-0557-00	(5) GROMMET	12	No Number	CONTROL BRACKET
6	11-0402-02	AUGER DELAY			Attaching Parts Index 12
		Attaching Parts Index 6	13	03-1572-01	SCREW 8 x 1/2
7	03-1403-02	SCREW 6 x 3/8		12-1997-01	LIGHT (RED)
	11-0358-00	LOW PRESSURE CONTROL	14	12-1997-02	LIGHT (AMBER)
		Attaching Parts Index 7	15	12-2037-02	CONTACTOR
	03-1403-02	SCREW 6 x 3/8		12-0739-02	CONTACTOR (3 PHASE)
		Attaching Parts Index 15			Attaching Parts Index 15
		Attaching Parts Index 7		03-1403-26	SCREW 10 x 3/8
		Attaching Parts Index 7	16	12-1213-15	BUSHING
		Attaching Parts Index 7			

# MF6B THE PARTS ILLUSTRATIONS AND PARTS LISTS

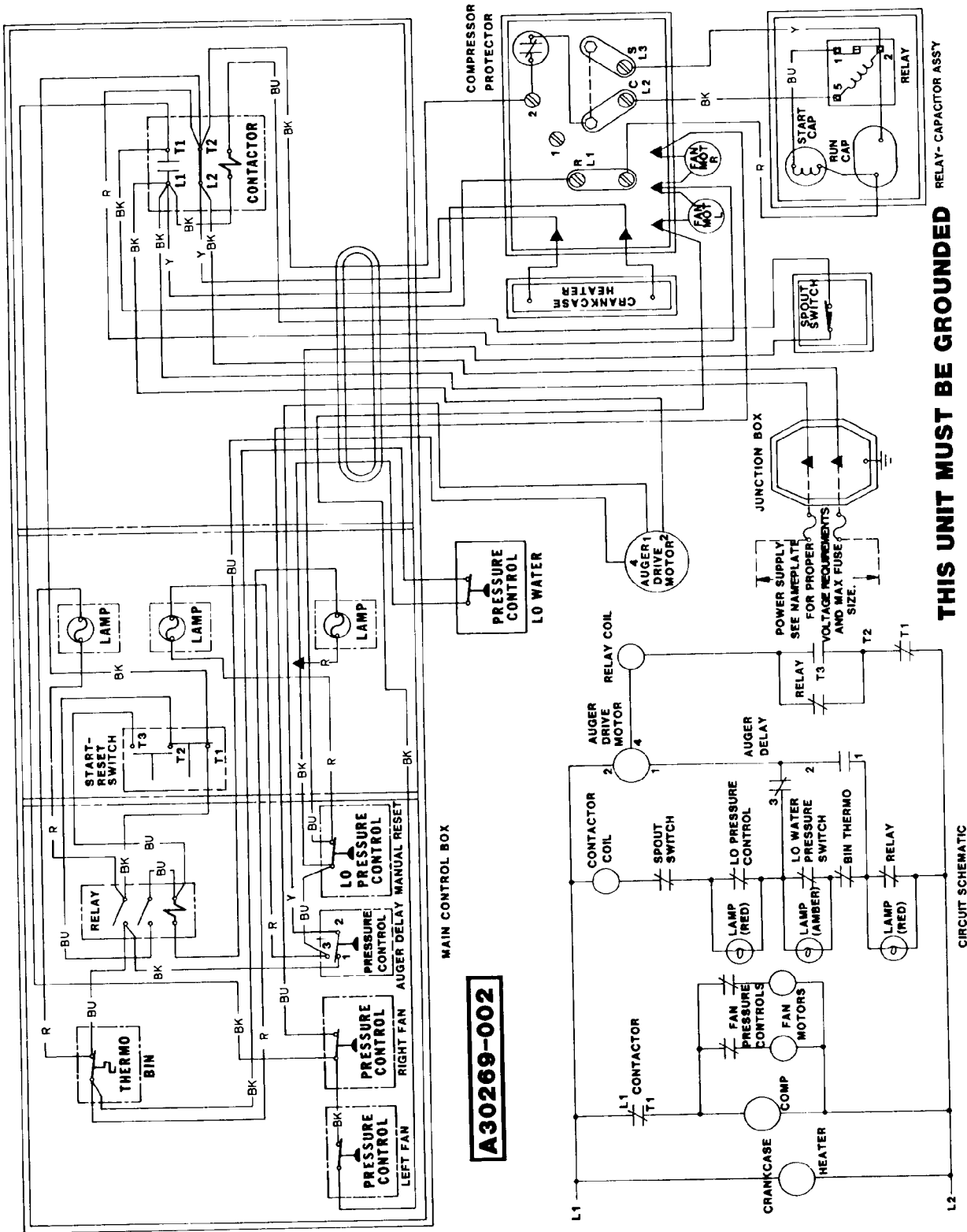


## CONTROL BOX ASSEMBLY (WATER-COOLED)

ITEM NUMBER	PART NUMBER	DESCRIPTION	ITEM NUMBER	PART NUMBER	DESCRIPTION
1	No Number	CONTROL BOX	8	12-2225-01	RELAY
2	11-0342-00	HIGH PRESSURE CONTROL (Air-Cooled Only) LEFT SIDE			Attaching Parts Index 8
		Attaching Parts Index 2	9	03-1403-26	SCREW 10 x 3/8
3	03-1403-02	SCREW 6 x 3/8		12-2227-01	SWITCH
	11-0343-00	HIGH PRESSURE CONTROL (Air-Cooled Only) RIGHT SIDE			Attaching Parts Index 9
		Attaching Parts Index 3	10	03-1538-04	SCREW 6 x 3/8
4	03-1403-02	SCREW 6 x 3/8		No Number	SWITCH BRACKET
	11-0354-00	TEMPERATURE CONTROL			Attaching Parts Index 10
		Attaching Parts Index 4		03-1423-01	(2) SPEED NUT
5	03-1403-17	SCREW 8 x 3/8		03-1419-12	(2) SCREW 6 x 7/8
6	13-0557-00	(5) GROMMET	11	No Number	COVER
7	11-0402-02	AUGER DELAY	12	No Number	CONTROL BRACKET
		Attaching Parts Index 6			Attaching Parts Index 12
	03-1403-02	SCREW 6 x 3/8		03-1572-01	SCREW 8 x 1/2
	11-0358-00	LOW PRESSURE CONTROL	13	12-1997-01	LIGHT (RED)
		Attaching Parts Index 7	14	12-1997-02	LIGHT (AMBER)
	03-1403-02	SCREW 6 x 3/8	15	12-2037-02	CONTACTOR
		Attaching Parts Index 7		12-0739-02	CONTACTOR (3 PHASE)
		Attaching Parts Index 7			Attaching Parts Index 15
	03-1403-26	SCREW 10 x 3/8	16	03-1403-26	SCREW 10 x 3/8
		Attaching Parts Index 7		12-1213-15	BUSHING

# MF6B WIRING DIAGRAMS

ALL CONTROLS SHOWN IN NORMAL ICE MAKING MODE



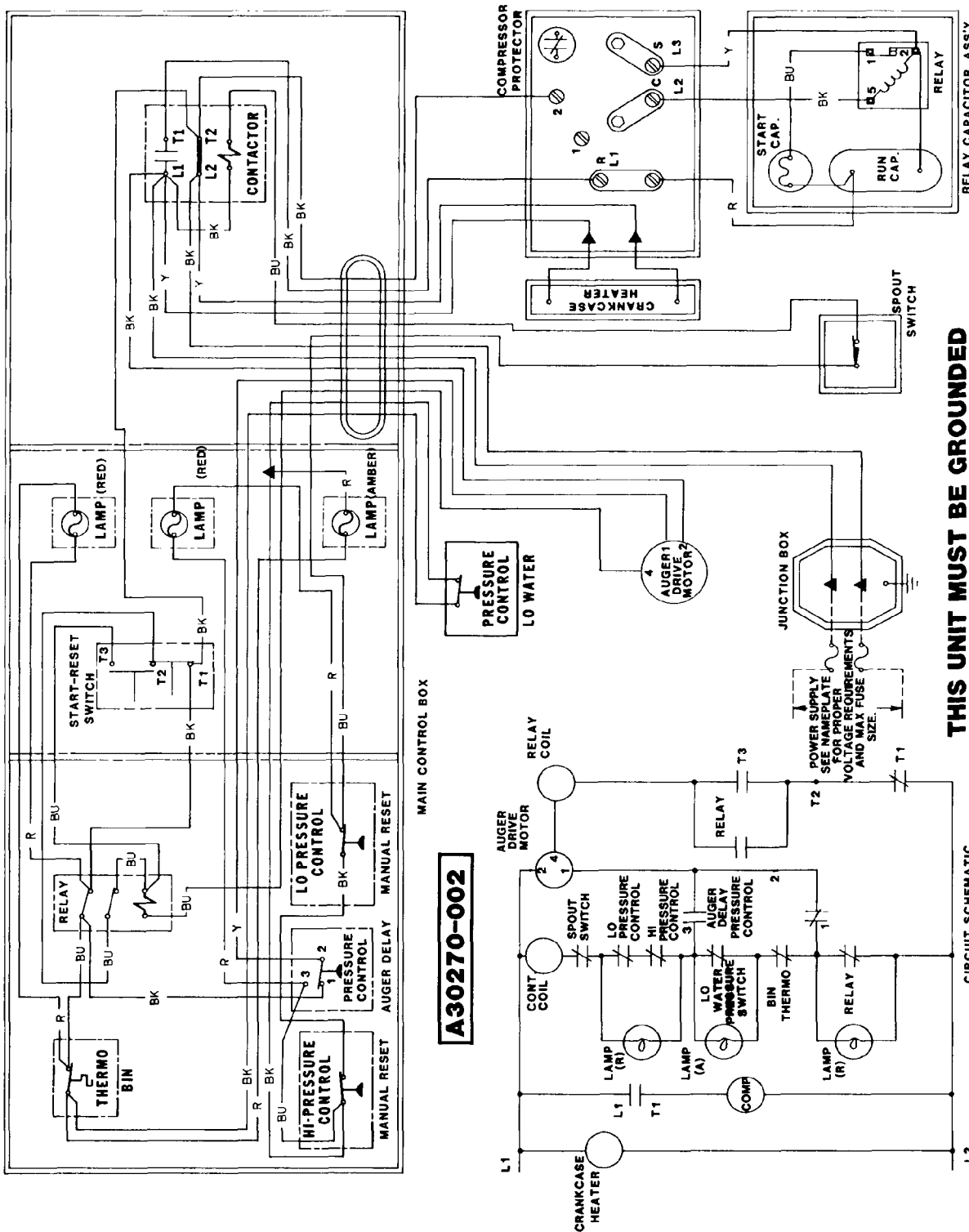
**THIS UNIT MUST BE GROUNDED**

**A30269-002**

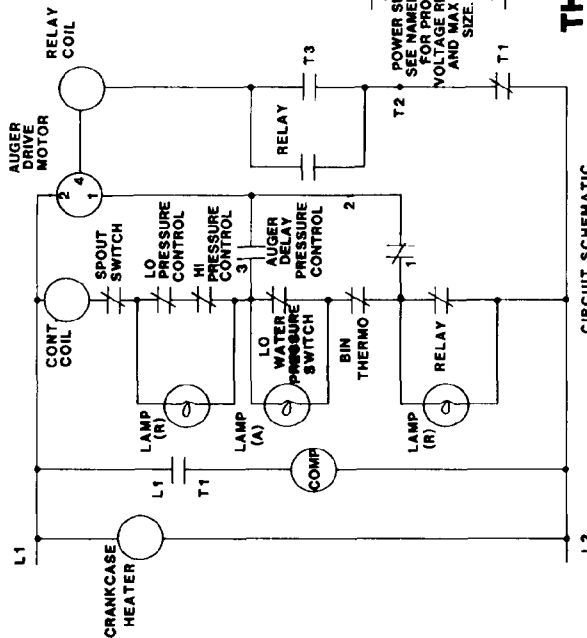
Wiring Diagram Air-Cooled Model MF6B-2B (230/60/1)

# MF6B WIRING DIAGRAMS

ALL CONTROLS SHOWN IN NORMAL ICE MAKING MODE



**A30270-002**

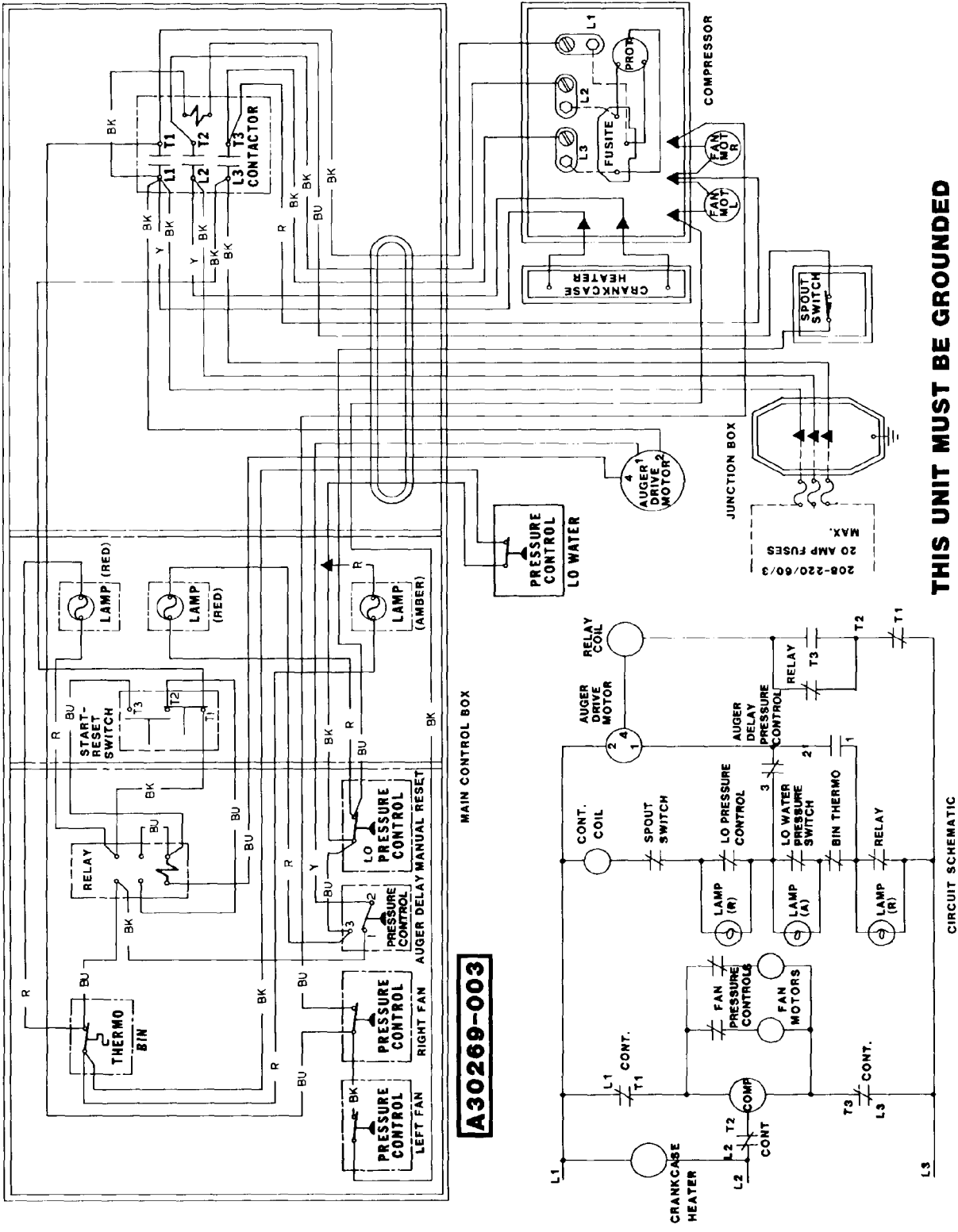


**THIS UNIT MUST BE GROUNDED**

Wiring Diagram Water-Cooled Model MF6B-2B (203/60/1)

# MF6B WIRING DIAGRAMS

ALL CONTROLS SHOWN IN NORMAL ICE MAKING MODE

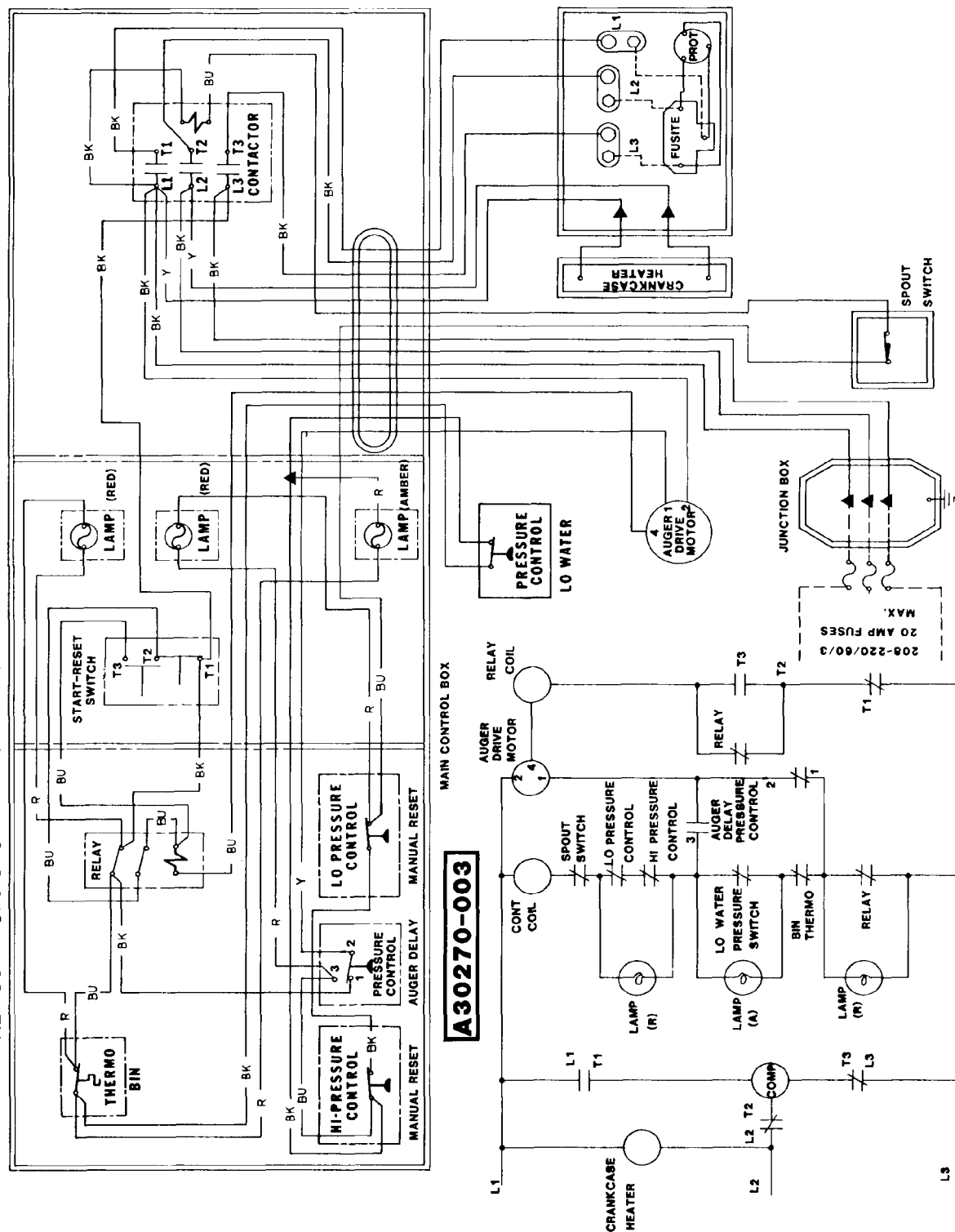


**THIS UNIT MUST BE GROUNDED**

Wiring Diagram Air-Cooled Model MF6B-2B (208/60/1 and 208-220/60/3)

# MF6B WIRING DIAGRAMS

ALL CONTROLS SHOWN IN NORMAL ICE MAKING MODE



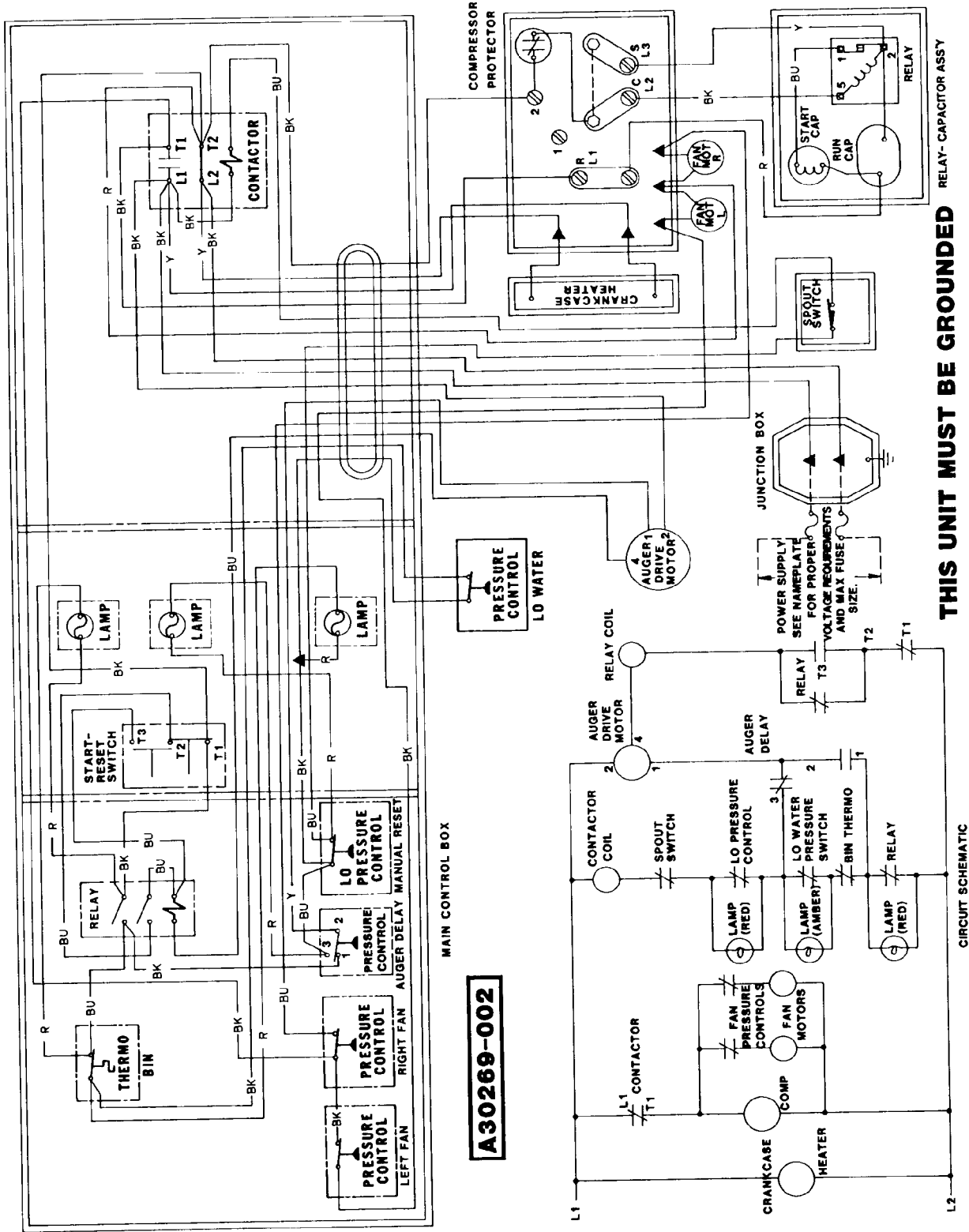
CIRCUIT SCHEMATIC

**THIS UNIT MUST BE GROUNDED**

Wiring Diagram Water-Cooled Model MF6B-3B (208/60/1 and 208-220/60/3)

# MF6B WIRING DIAGRAMS

ALL CONTROLS SHOWN IN NORMAL ICE MAKING MODE



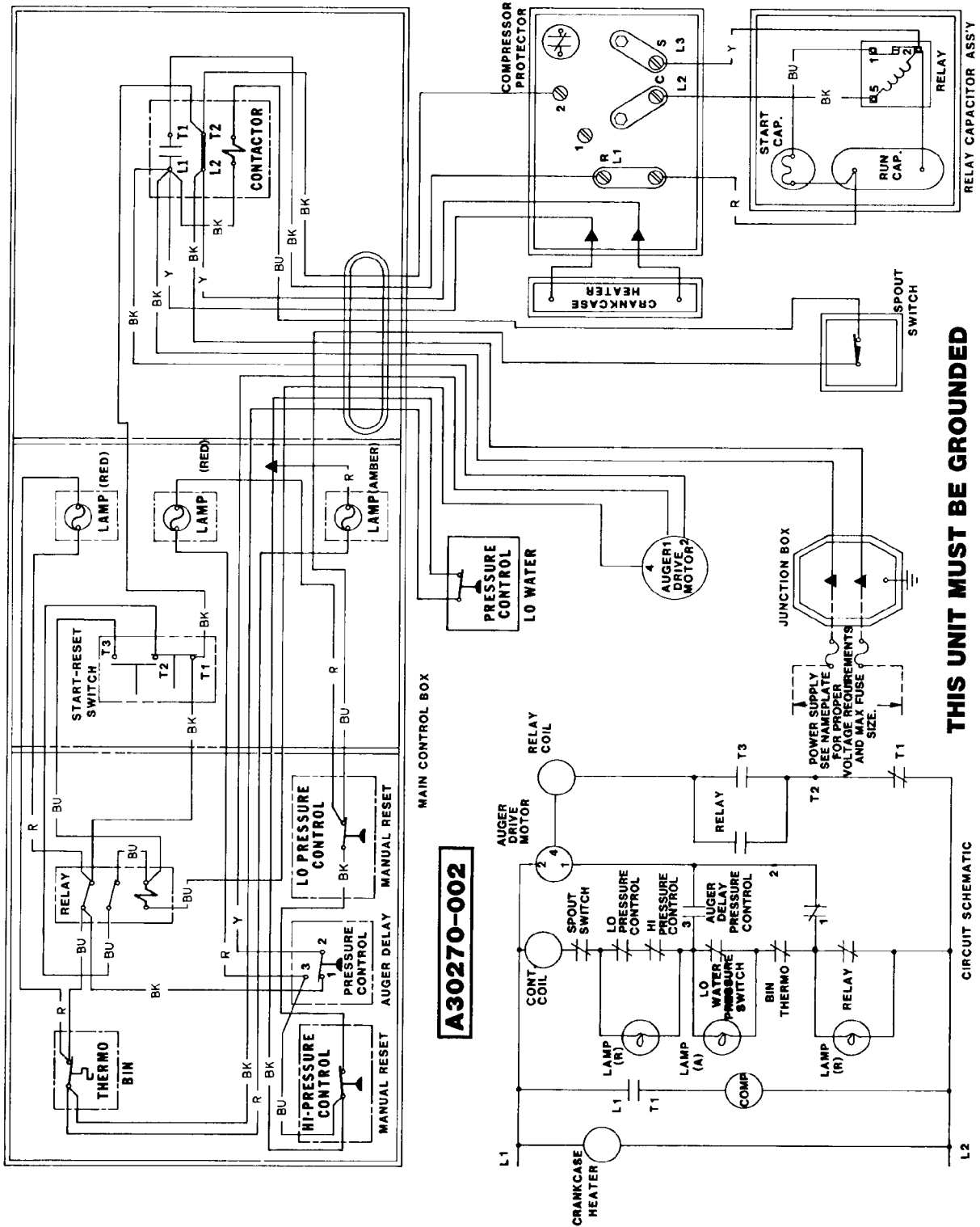
**THIS UNIT MUST BE GROUNDED**

Wiring Diagram Air-Cooled Model MF6B-7B (230/60/1)



# MF6B WIRING DIAGRAMS

ALL CONTROLS SHOWN IN NORMAL ICE MAKING MODE



Wiring Diagram Water-Cooled Model MF6B-7B (230/60/1)