

541271801 (64)
541272001 (68)

537048600

537045600 (64)
537045700 (68)

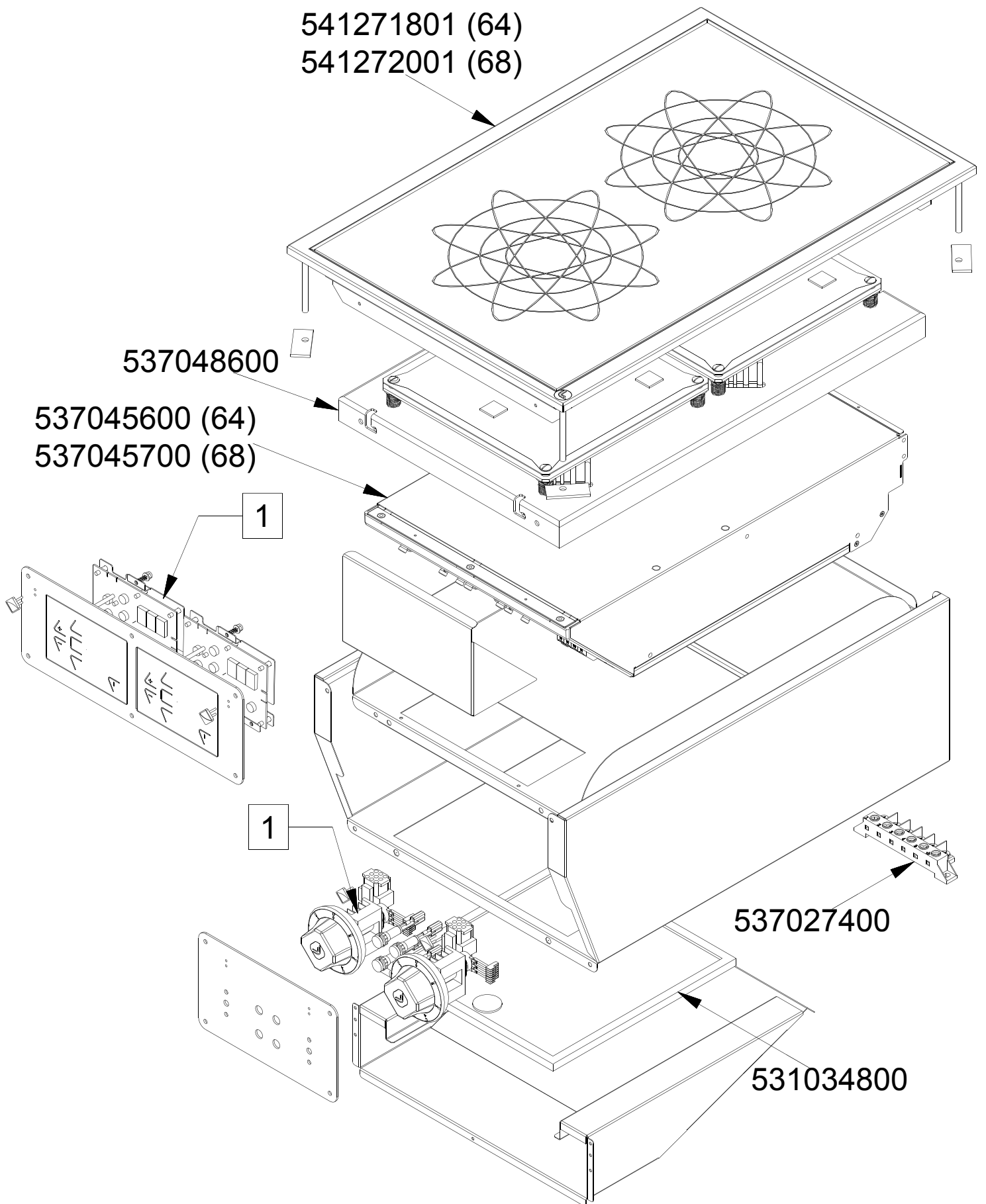
1

1

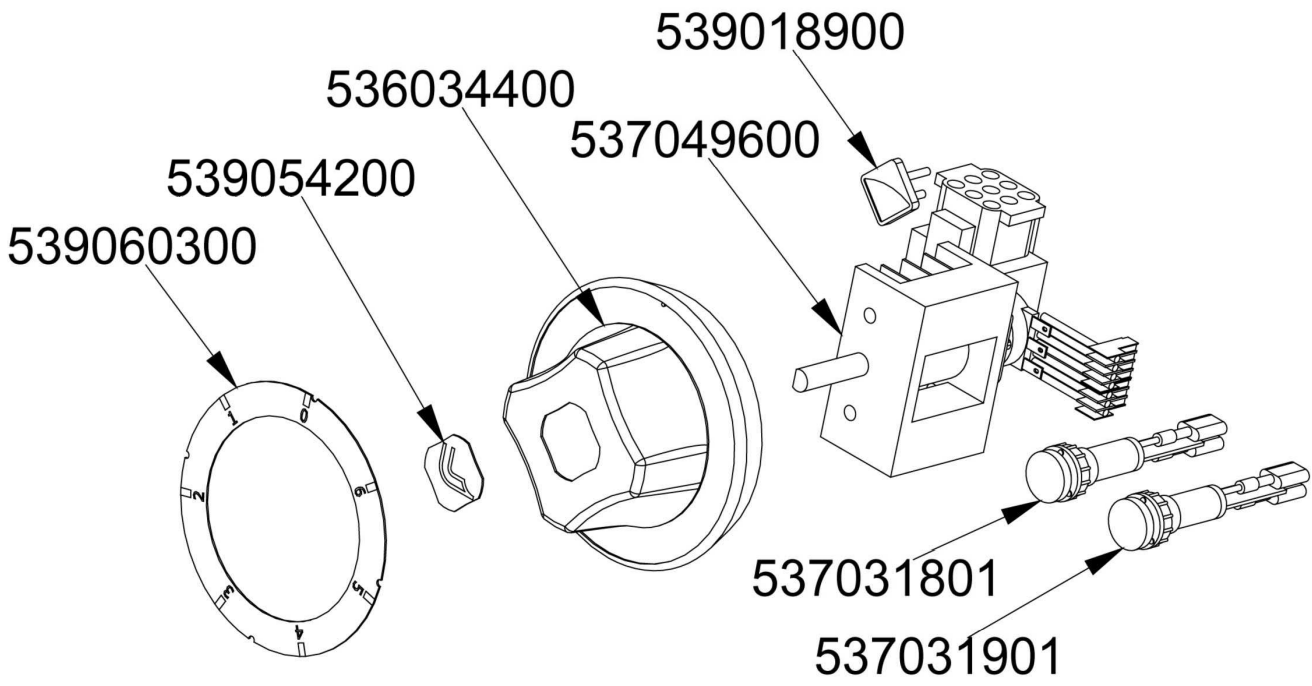
537027400

531034800

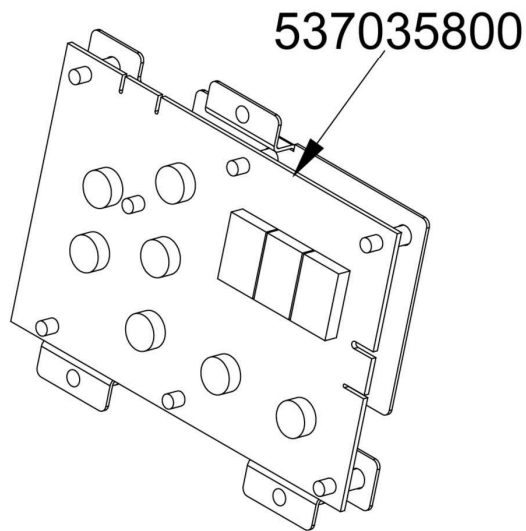
560086901M00P00



(ET)



(ETD)



560099501M00P00

| Page | Pos | Code | Description |
|------|-----|-----------|------------------------------------|
| 001 | | 541271801 | UPPER PLATE DROP IN PCID-64ET V |
| 001 | | 537048600 | PLATE WITH INDUCTORS S70 |
| 001 | | 537045600 | GENERATOR PCI-74 5KW 400V3 |
| 001 | | 537027400 | TERMINAL BLOCK THREEPHASE 40A |
| 001 | | 531034800 | NET FILTER FOR KSK |
| 002 | | 539018900 | INDEX FOR KNOB W/RED SIGN |
| 002 | | 536034400 | KNOB \$77 4P. \$06*4,6 C/M |
| 002 | | 537049600 | COMPLETE CONTROL FOR INDUCTORS |
| 002 | | 539054200 | STAMP Ø20,5 CR. "L" LOTUS R. |
| 002 | | 539060300 | RED ADESIVE DISK FOR PCC/PCI-E |
| 002 | | 537031801 | GREEN WARNING LIGHT 12V E FASTON |
| 002 | | 537031901 | RED WARNING LIGHT PCI 12V E FASTON |
| 002 | | 537035800 | TOUCH ELECTRONIC BOARD FOR PCI |