



Flockeneisbereiter, Luftk., 1000 kg/24 h, ohne Speicher

Artikel-Nr.
711075 (G1000A)

Explosionszeichnung / Ersatzteile

Bitte bei Ersatzteilbestellung immer Artikelnummer und
Seriennummer mit angeben!



G 1000

LIST OF THE EXPLODED VIEWS



SHELL ASSY

COOLING SYSTEM from s/n. 518880

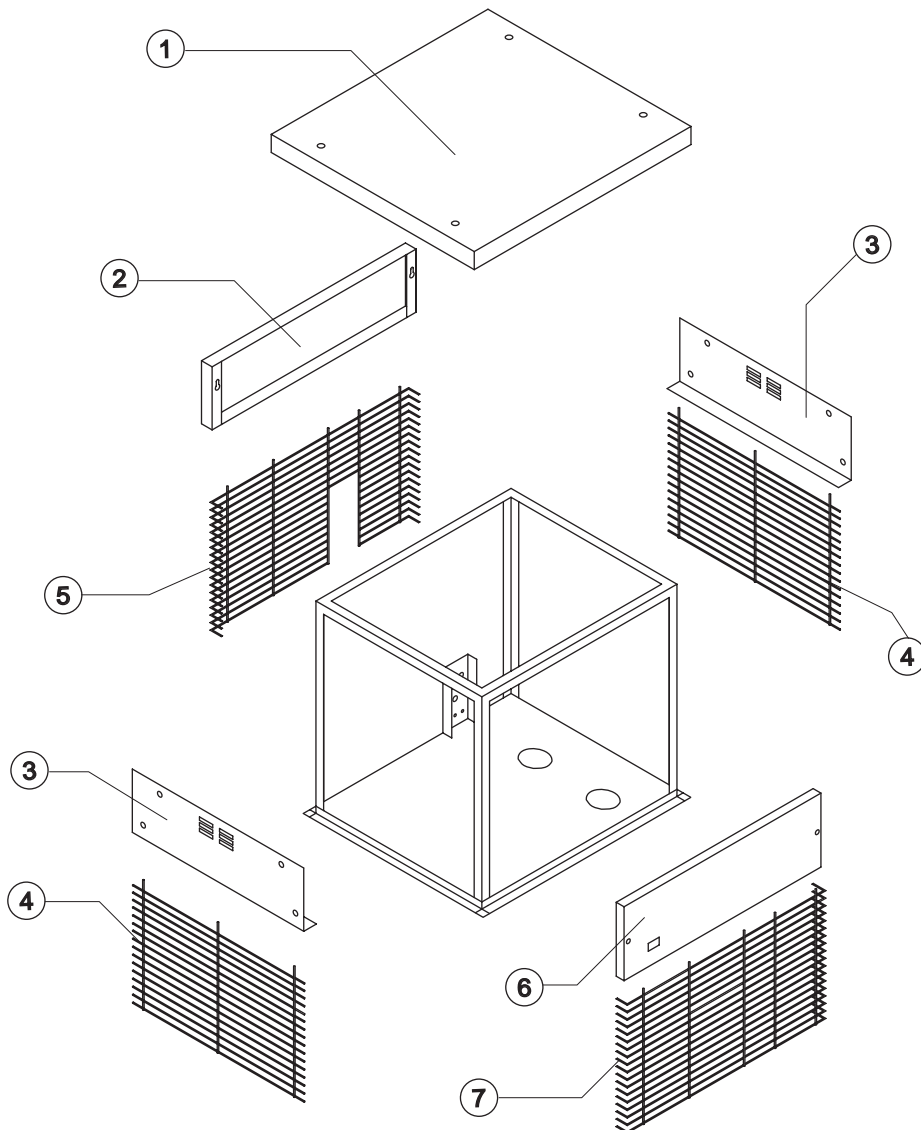
COOLING SYSTEM till s/n. 518879

EVAPORATOR

HYDRAULIC CIRCUIT

ELECTRIC PARTS

Rev. 16 - 02/03/2018



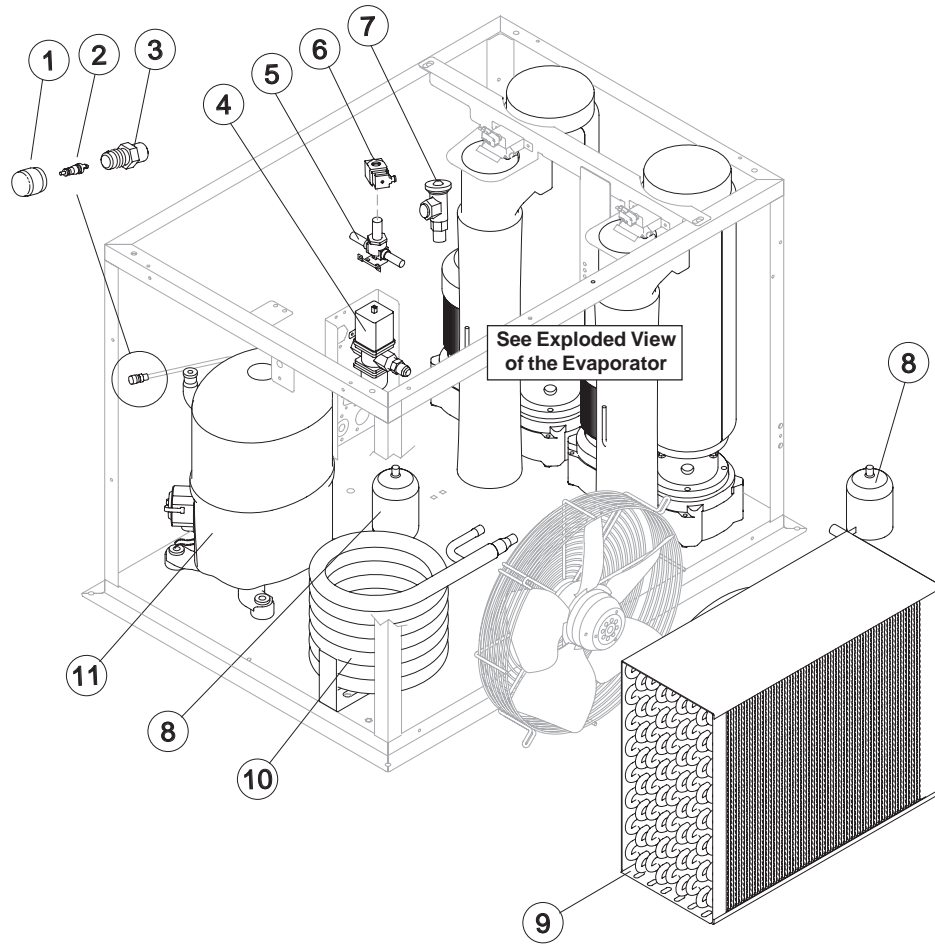
Common Parts

Ref.	Spare Description	Code
1	Top	22681
2	Rear Panel	22684
3	Right/Left Side Panel	221152
4	Side Grid	D12064
5	Rear Grid	D12063
6	Front Panel Assembly	22683
7	Front Grid	D12062



G 1000

COOLING SYSTEM from s/n. 518880



Common Parts

Ref.	Spare Description	Code
1	Vacuum-Charge Valve Plug	14006
2	Vacuum-Charge Valve Device	14005
3	Vacuum-Charge Valve Body	14007
5	Hot gas valve body	20409
6	Hot gas valve coil	231294
7	Expansion valve	20970
8	Liquid Line Drier	14255
11	Compressor	Current Version 231112
11	Compressor	Till s/n. 715079 23583

Parts for Air-Cooled Version Only

Ref.	Spare Description	Code
9	Air Condenser	20396

Parts for Water-Cooled Version Only

Ref.	Spare Description	Code
4	Water Regulating Valve	C20968
10	Water Condenser	14660

Rev. 16 - 02/03/2018



G 1000

COOLING SYSTEM till s/n. 518879

Common Parts

Ref.	Spare Description	Code
1	Vacuum-Charge Valve Body	14007
2*	Vacuum-Charge Valve Device	14005
3*	Vacuum-Charge Valve Plug	14006
4	Compressor	See Table
7*	Solid Core Drier	14255

Parts for Air-Cooled Version Only

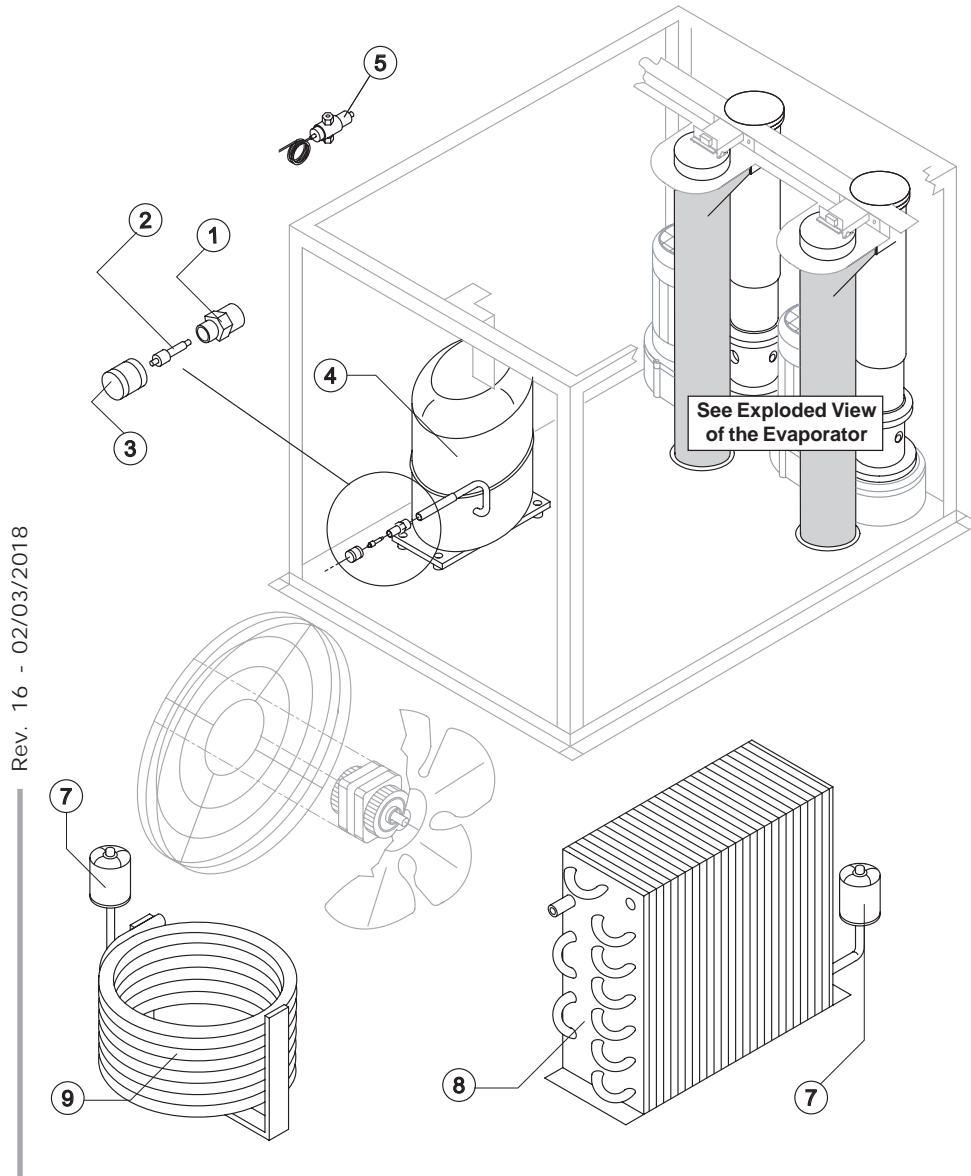
Ref.	Spare Description	Code
8	Air Condenser	20396

Parts for Water-Cooled Version Only

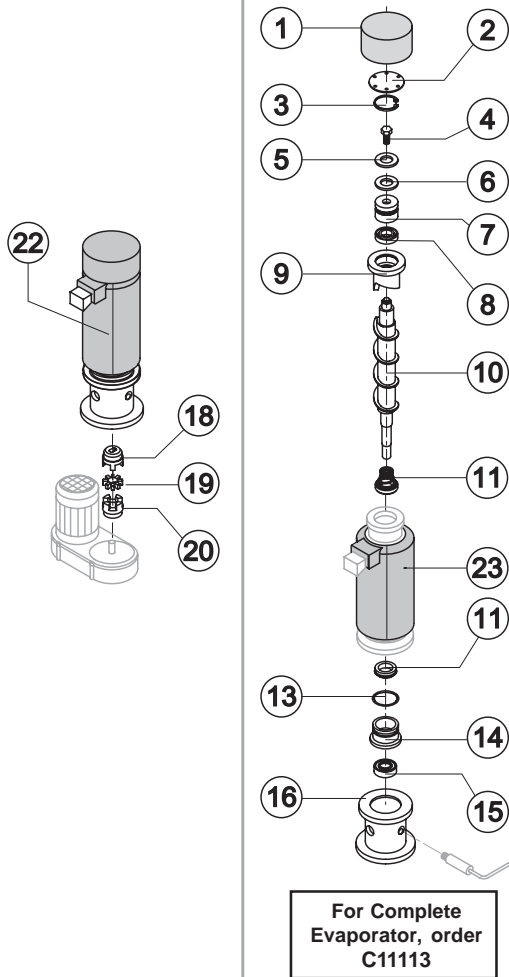
Ref.	Spare Description	Code
5	Pressostatic Valve	20149
9	Water Condenser	14285

Ref. 4 - Compressor

Voltage	Code
T15	23583
T16	23618



Rev. 16 - 02/03/2018

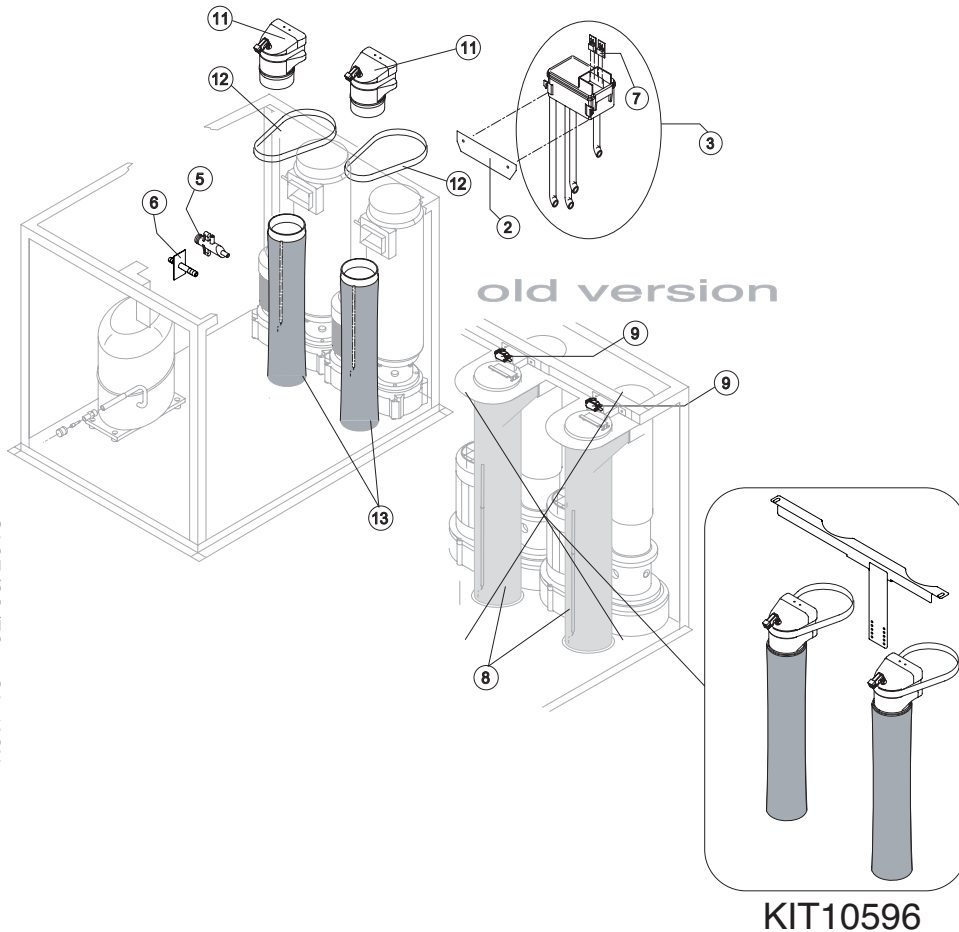


Ref.	Spare Description (from s/n. 230552)	Code
1	Insulating Cap	18165
2	Closing Disk	22670
3	Seeger	20116
4	Stainless Steel Screw	20664
5	Shimming Disk	22829
6	Self-Lubricating Disk	20639
7	Stainless Steel Thrust Bearing	20685
8	OR Gasket 4137	20689
9	Ice Breaker	201231
10	Auger	20780
11	Ceramic Seal	20643
13	OR Gasket 4312 NBR	20205
14	Reduction Ring	20647
15	Stainless Steel Bearing	20113
16	Flange	20644
18	Semi-Joint Upper	D20642
19	Vibration-Damping Elastomer	20494
20	Semi-Joint Lower	D20493
22	Evaporator Assy	Current Version C11113
23	Insulating Cap	18181



G 1000

HYDRAULIC CIRCUIT



Common Parts

Ref.	Spare Description	Code
2	Basin Support Plate	21133
3*	Double Switch Basin Assembly	C26768
5	Discharges Manifold	10580
7	Microswitch	23055
8	Complete Ice Outlet Pipe Assy	Till s/n. 498591 KIT10596
9	Bin Level Control Microswitch	From s/n. 230552 till s/n. 498591 23930
11*	Ice Exhaust Assy with Micro	Current Version C10585
12	Locking Exhaust Assy	Current Version 25049
13	Ice Outlet Pipe with Bin bulb holder	Current Version C10657
13	Ice Outlet Pipe with Bin bulb holder	Till s/n. 603755 K10588

Parts for Water-Cooled Version Only

Ref.	Spare Description	Code
6	Connection with Plate	Current Version 20984
6	Connection with Plate	Till s/n. 518879 C20462

Rev. 16 - 02/03/2018



G 1000

ELECTRIC PARTS

Common Parts

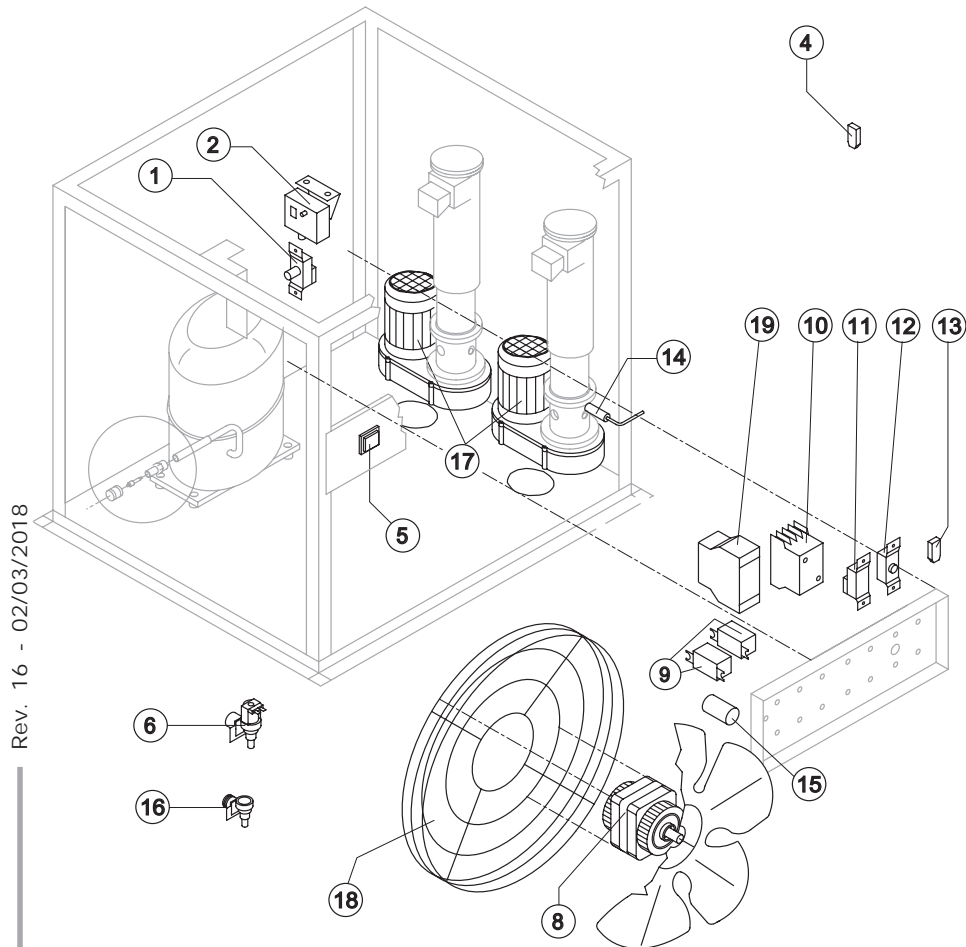
Ref.	Spare Description	Code
1	Safety Pressure-Switch (Maximum Pressure)	23342
2	Safety Pressure-Switch (Minimum Pressure)	Current Version 23763
4	Anti Radio Interference Filter	C23457
5*	Green Light Switch (On-Off)	23327
6*	1 Way- Water Inlet Valve	23001
9*	Relay	23190
10*	Contactora	23147
12*	Bin Thermostat	Current Version R231035
12*	Bin Thermostat	Till s/n. 603755 R23421
14*	Rotation Sensor	R231028
17	Gearmotor	23638
19	Voltage control relay	From s/n. 541088 23903

Parts for Air-Cooled Version Only

Ref.	Spare Description	Code
8*	Fan Motor	23468
11*	Condenser Pressure Switch	23175
13	Anti Radio Interference Filter	C23459
15*	Fan Motor Capacitor	23469
18	Fan Motor Grid	12053

Parts for Water-Cooled Version Only

Rif.	Descrizione Ricambio	Codice
16	1 Way- Water Inlet Nipple	10239



Rev. 16 - 02/03/2018