

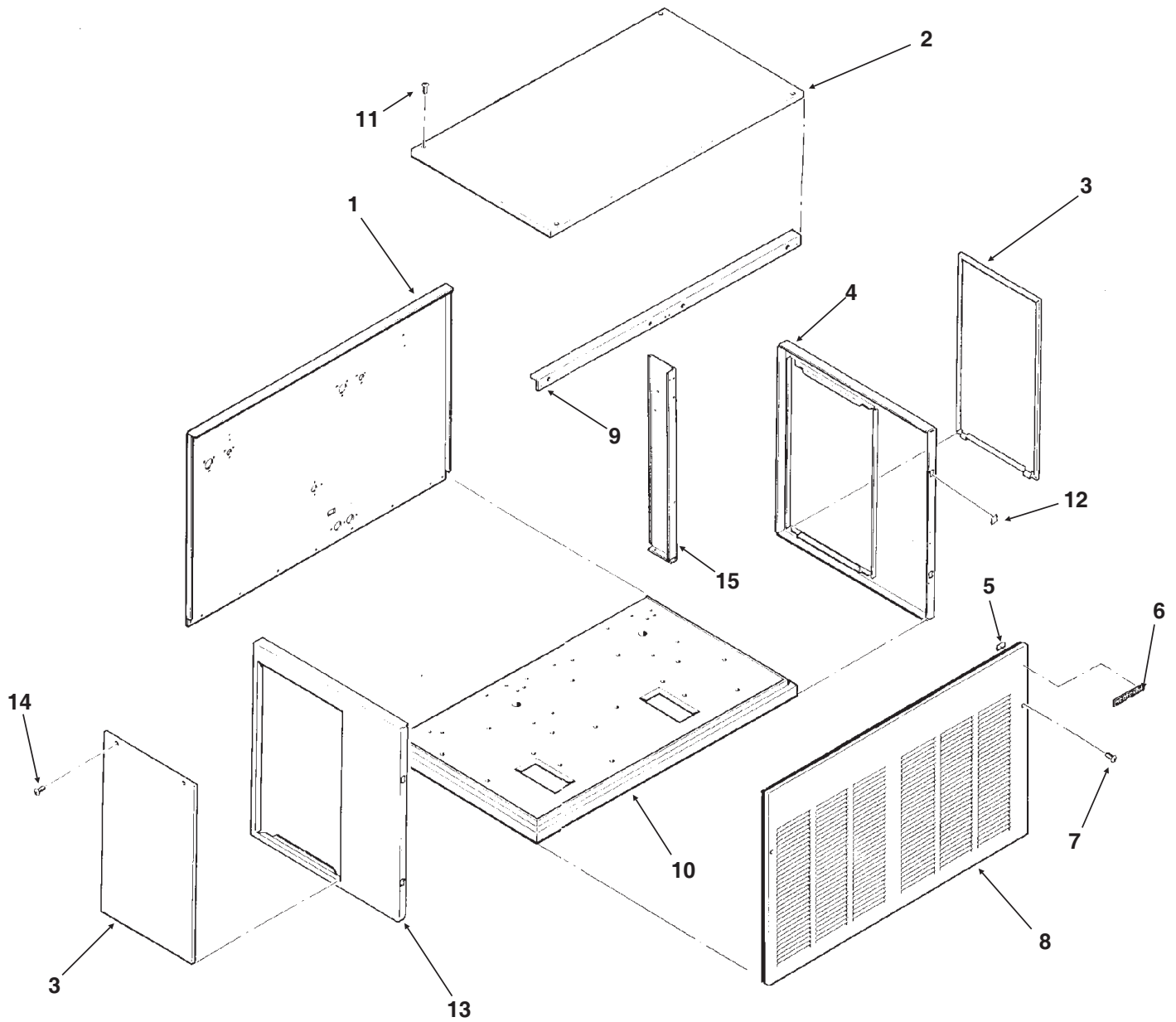
# AutoSentry Double System RL SERVICE PARTS

This parts list contains the service parts and wiring diagrams for this model. Check the model number of the machine requiring the parts to be sure that this is the correct parts list.

## TABLE OF CONTENTS

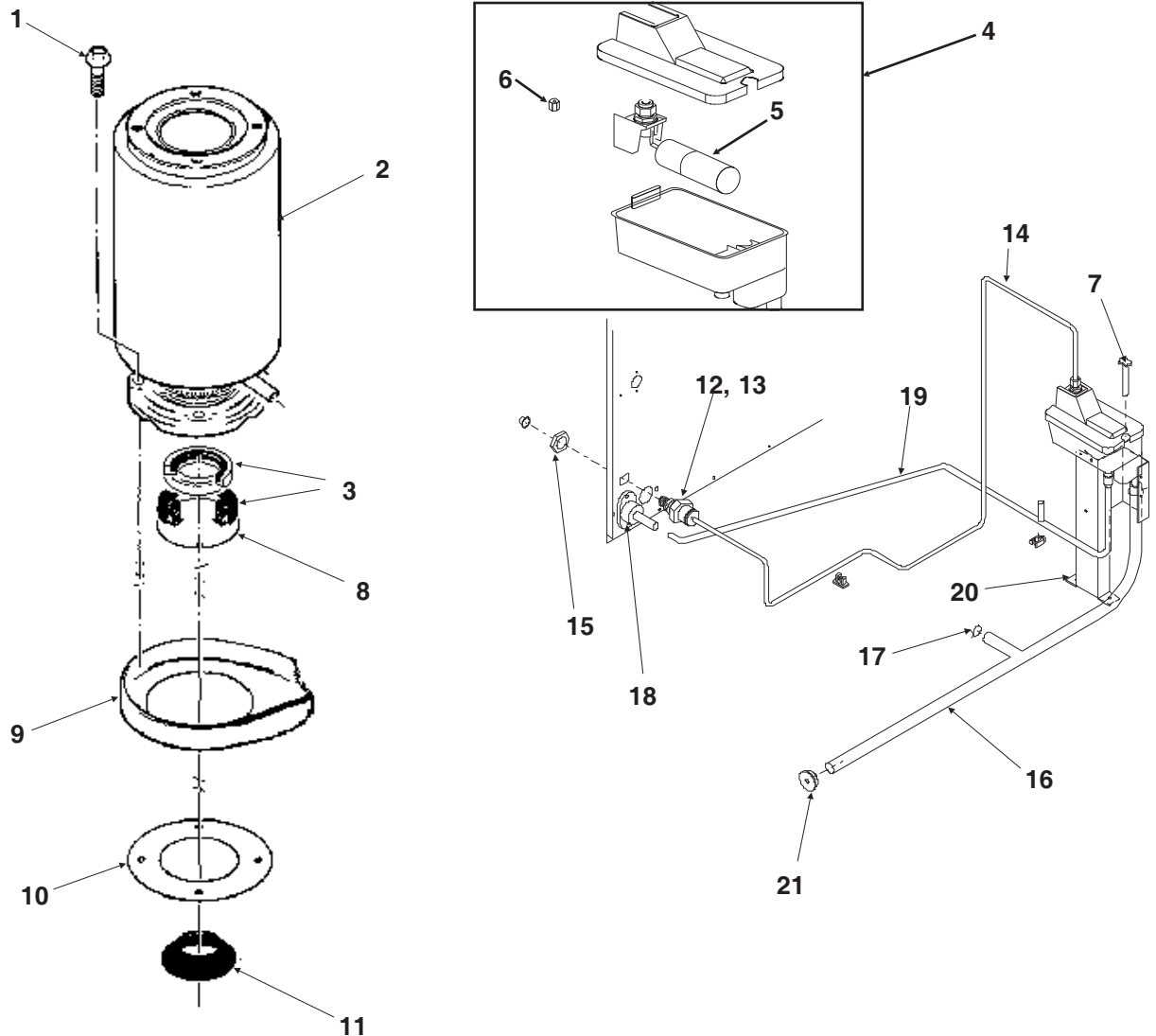
|                                |        |
|--------------------------------|--------|
| Cabinet Assembly .....         | Page 2 |
| Water System.....              | Page 3 |
| Refrigeration System.....      | Page 4 |
| Evaporator, FM/FME units ..... | Page 5 |
| Evaporator, NM/NME units ..... | Page 6 |
| Gearmotor .....                | Page 7 |
| Control Box .....              | Page 8 |
| Wiring Diagrams .....          | Page 9 |

# AutoSentry Double System RL SERVICE PARTS Cabinet



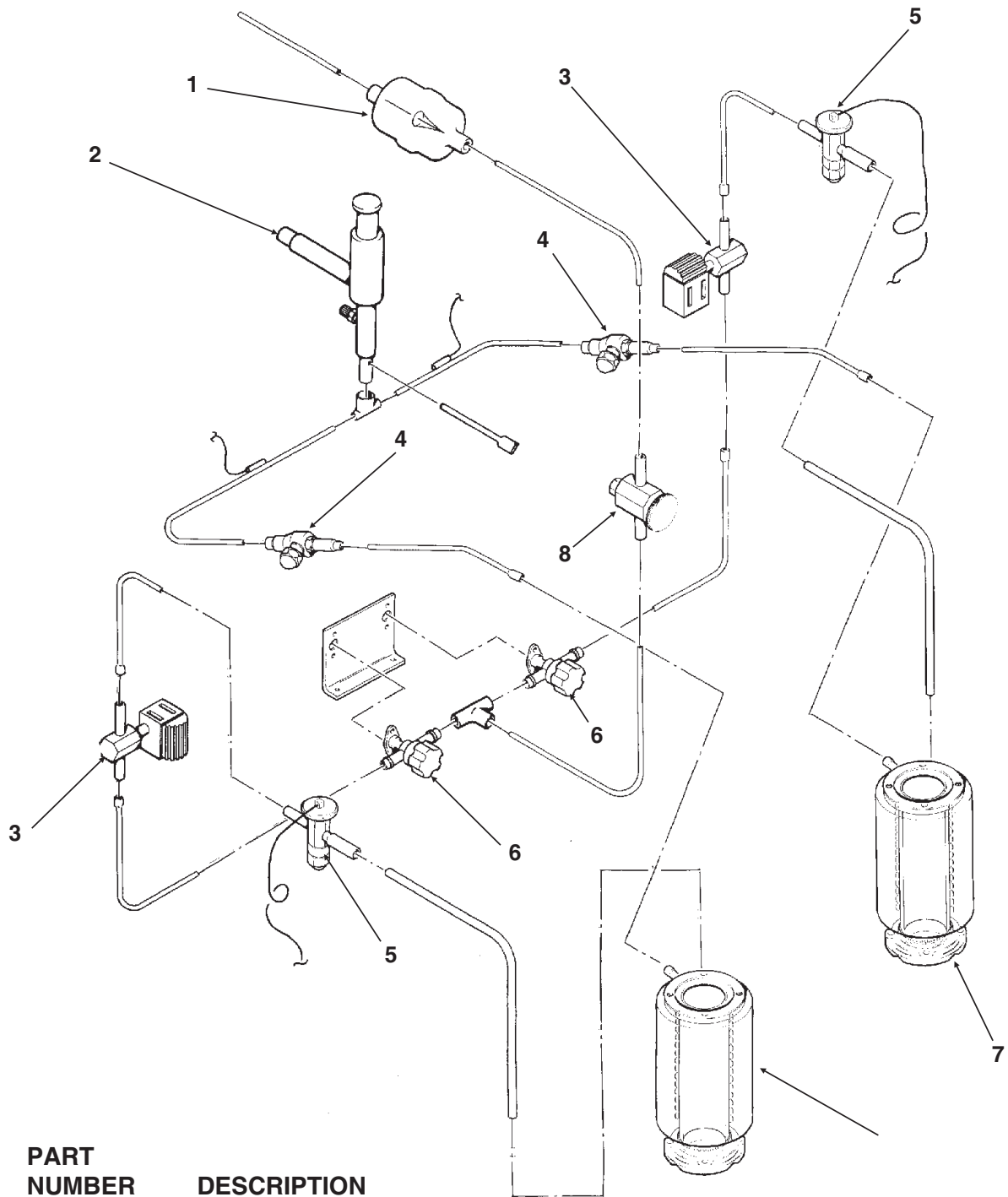
| ITEM NUMBER | PART NUMBER | DESCRIPTION            | ITEM NUMBER | PART NUMBER | DESCRIPTION           |
|-------------|-------------|------------------------|-------------|-------------|-----------------------|
| 1           | A34283-002  | Back panel             | 8           | A34294-002  | Front Panel, S.S.     |
| 2           | A32461-002  | Top Panel, S.S.        | 9           | A34287-015  | Support               |
| 3           | A34038-002  | Service Panel, S.S.    | 10          | A35593-001  | Base                  |
| 4           | A33292-002  | Right Side Panel, S.S. | 11          | 03-1531-01  | Screw                 |
| 5           | 03-0271-00  | Speed Clip             | 12          | 02-0836-00  | Catch                 |
| 6           | 15-0808-03  | Emblem, grey           | 13          | A32435-002  | Left Side Panel, S.S. |
| 7           | 03-1419-22  | Screw                  | 14          | 03-1404-12  | Screw                 |
|             |             |                        | 15.         | A34286-001  | Center Support        |

# AutoSentry Double System RL SERVICE PARTS Water System



| ITEM NUMBER | PART NUMBER | DESCRIPTION                      | ITEM NUMBER | PART NUMBER | DESCRIPTION               |
|-------------|-------------|----------------------------------|-------------|-------------|---------------------------|
| 1           | 03-1405-41  | Cap Screw                        | 15          | 03-1394-01  | Pal Nut                   |
| 2           | A32890-020  | Evaporator                       | 16          | A36154-001  | Evap. water inlet tube    |
| 3           | 02-0929-23  | Water Seal                       | 17          | 02-1338-00  | Hose clamp                |
| 4           | 02-3266-01  | Reservoir & valve                | 18          | 02-3692-22  | Drain fitting             |
| 5           | 02-3266-02  | Float valve                      | 19          | 02-3826-01  | Res. overflow hose (rt)   |
| 6           | 02-3266-03  | Plunger/seal                     |             | 02-3826-02  | Res. overflow hose (left) |
| 7           | 12-2760-21  | Water Level Sensor               | 20          | A36078-002  | Reservoir bracket         |
| 8           | A32777-001  | Retaining Ring for Seal          | 21          | 13-0840-01  | Rubber cap                |
| 9           | 02-3837-01  | Drip Pan                         |             |             |                           |
| 10          | 13-0704-00  | Gasket                           |             |             |                           |
| 11          | 13-0868-01  | Water Shed                       |             |             |                           |
| 12          | 16-0835-01  | Inlet fitting for plastic tubing |             |             |                           |
| 13          | 16-1039-01  | Male connector                   |             |             |                           |
| 14          | 13-0895-01  | Inlet tubing, 4 ft. req.         |             |             |                           |

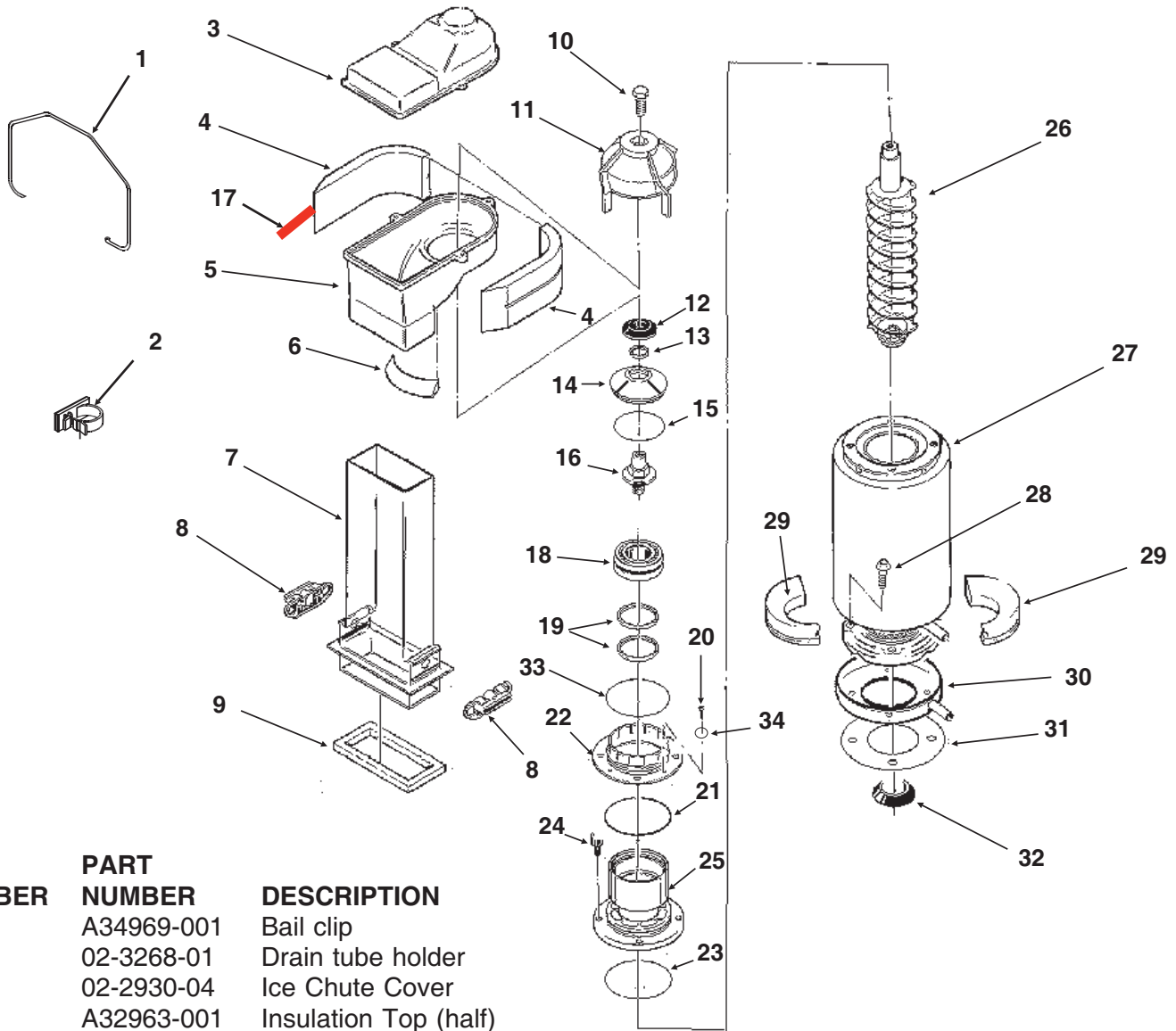
# AutoSentry Double System RL SERVICE PARTS Refrigeration System



| ITEM NUMBER | PART NUMBER | DESCRIPTION   |
|-------------|-------------|---|
| 1           | 02-3319-03  | Dryer   |
| 2           | A32859-001  | EPR Valve (used on FME2404, NME1854, FME3004 and NME2504)         |
|             | A32859-002  | EPR Valve (used on FM2402, FM3002, NM1852 and NM2502)             |
| 3           | 12-2135-02  | Solenoid Valve  |
| 4           | 11-0548-01  | Ball Valve  |
| 5           | 11-0488-21  | R-404A Thermostatic Expansion Valve (used on FME2404 and NME1854) |
|             | 16-0825-21  | R-22 Thermostatic Expansion Valve (used on FM2402 and NM1852)     |
|             | 11-0482-21  | R-404A TXV use on FME3004 and NME2504                             |
| 6           | 11-0548-01  | Ball valve  |
| 7           | A32890-020  | Evaporator  |
| 8           | 16-0762-02  | Sight Glass   |

# AutoSentry Double System RL SERVICE PARTS

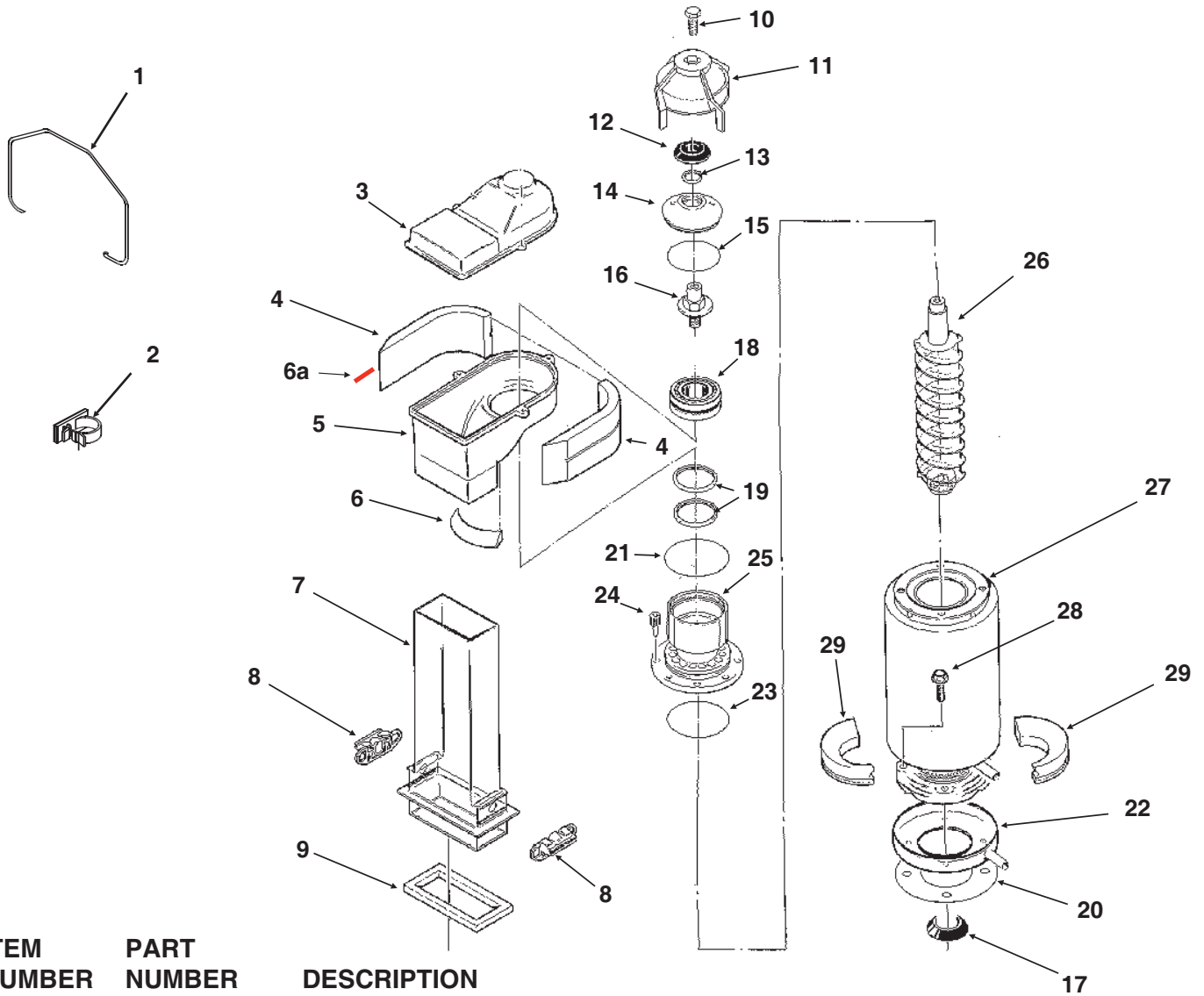
## FM/FME Evaporator, Chute, Bin Controls



| ITEM NUMBER | PART NUMBER | DESCRIPTION                      |            |   |
|-------------|-------------|----------------------------------|------------|---|
| 1.          | A34969-001  | Bail clip                        |            |   |
| 2.          | 02-3268-01  | Drain tube holder                |            |   |
| 3.          | 02-2930-04  | Ice Chute Cover                  |            |   |
| 4.          | A32963-001  | Insulation Top (half)            |            |   |
| 5.          | 02-3841-01  | Ice Chute Body w/ins             |            |   |
| 6.          | A33102-001  | Insulation Collar Inside         |            |   |
| 7.          | 02-2929-04  | Ice Chute Lower                  |            |   |
| 8.          | A37708-021  | Bin Controls Assy.<br>(set of 2) |            |   |
| 9.          | A32930-001  | Chute Gasket                     |            |   |
| 10.         | 03-1405-52  | Hex Cap Screw                    |            |   |
| 11.         | 02-3001-01  | Ice Sweep                        |            |   |
| 12.         | 13-0871-01  | Water Shed                       |            |   |
| 13.         | 02-2978-01  | Lip Seal                         |            |   |
| 14.         | 02-3128-20  | Breaker Cover                    |            |   |
| 15.         | 13-0617-54  | O-Ring                           |            |   |
| 16.         | 08-0660-01  | Auger Stud, thrust washer        |            |   |
| 17.         | A35419-020  | Strap kit                        |            |   |
| 18.         | A34559-020  | Bearing                          |            |   |
| 19.         | 02-2977-01  | Lip Seal                         |            |   |
| 20.         | 03-1403-27  | Screw                            |            |   |
|             |             | 21.                              | 13-0617-52 | O-Ring                                  |
|             |             | 22.                              | 02-2916-01 | Slotted Collar                          |
|             |             | 23.                              | 13-0617-45 | O-Ring                                  |
|             |             | 24.                              | 03-1544-08 | Soc. Head Screw                         |
|             |             | 25.                              | A34505-020 | Breaker (Divider)<br>(includes 18 & 19) |
|             |             | 26.                              | A38071-022 | Auger                                   |
|             |             | 27.                              | A32890-020 | Evaporator                              |
|             |             | 28.                              | 03-1420-03 | Cap Screw                               |
|             |             | 29.                              | A32962-001 | Insulation Bot. (half)                  |
|             |             | 30.                              | 02-3837-01 | Drip Pan                                |
|             |             | 31.                              | 13-0704-00 | Drip Pan Gasket                         |
|             |             | 32.                              | 13-0868-01 | Water Shed                              |
|             |             | 33.                              | 13-0617-49 | O-Ring                                  |
|             |             | 34.                              | 03-1408-36 | Washer                                  |

# AutoSentry Double System RL SERVICE PARTS

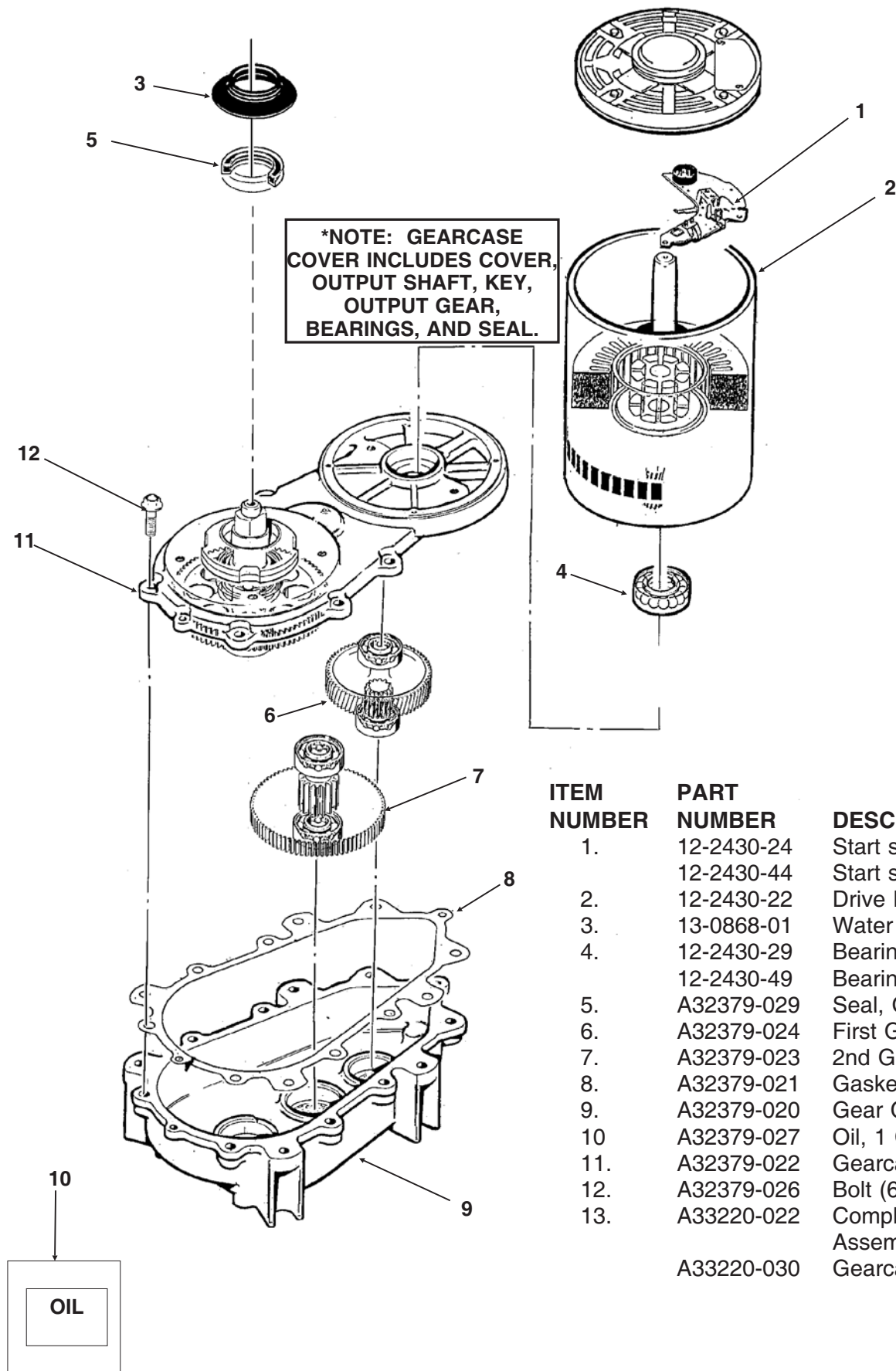
## NM or NME Evaporator



| ITEM NUMBER | PART NUMBER | DESCRIPTION                      |
|-------------|-------------|----------------------------------|
| 1.          | A34969-001  | Bail clip                        |
| 2.          | 02-3268-01  | Drain tube holder                |
| 3.          | 02-2930-04  | Ice Chute Cover                  |
| 4.          | A32963-001  | Insulation Top (half)            |
| 5.          | 02-3841-01  | Ice Chute body w/ins             |
| 6.          | A33102-001  | Insulation Collar Inside         |
| 6a          | A35419-020  | Strap kit                        |
| 7.          | 02-2929-04  | Ice Chute Lower                  |
| 8.          | A37708-021  | Bin Controls Assy.<br>(set of 2) |
| 9.          | A32930-001  | Chute Gasket                     |
| 10.         | 03-1405-52  | Hex Cap Screw                    |
| 11.         | 02-3001-01  | Ice Sweep                        |
| 12.         | 13-0871-01  | Water Shed                       |
| 13.         | 02-2978-01  | Lip Seal                         |
| 14.         | 02-3128-20  | Breaker Cover                    |
| 15.         | 13-0617-52  | O-Ring                           |
| 16.         | 08-0660-01  | Auger Stud & washer              |
| 17.         | 13-0868-01  | Water Shed                       |
| 18.         | A34559-020  | Bearing                          |
| 19.         | 02-2977-01  | Lip Seal                         |
| 20.         | 13-0704-00  | Drip Pan Gasket                  |
| 21.         | 13-0617-54  | O-Ring                           |
| 22.         | 02-3826-01  | Drip Pan                         |
| 23.         | 13-0617-45  | O-Ring                           |
| 24.         | 03-1544-08  | Soc. Head Screw                  |
| 25.         | A32900-020  | Breaker<br>(includes 18 & 19)    |
| 26.         | A38071-022  | Auger                            |
| 27.         | A32890-020  | Evaporator                       |
| 28.         | 03-1420-03  | Cap Screw                        |
| 29.         | A32962-001  | Insulation Bot. (half)           |

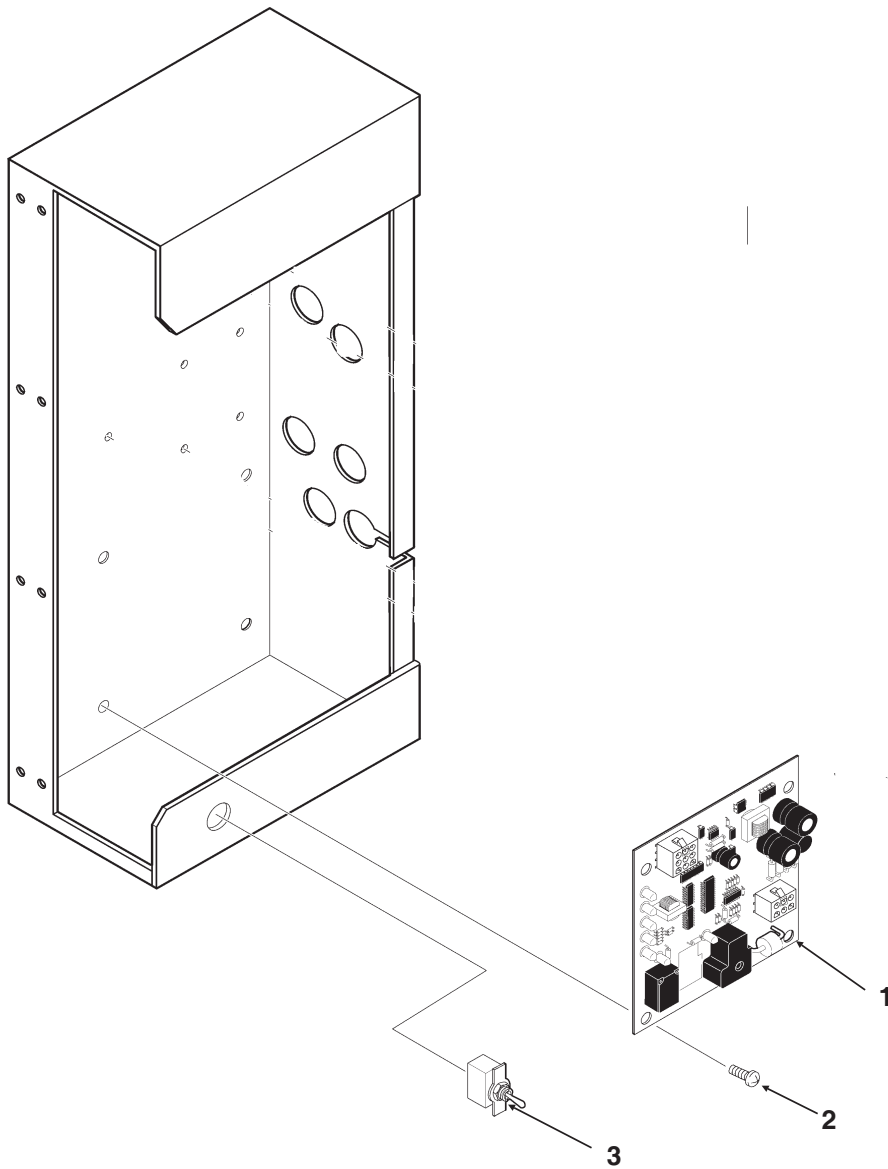
# AutoSentry Double System RL SERVICE PARTS

## Gearmotor



| ITEM NUMBER | PART NUMBER | DESCRIPTION                             |
|-------------|-------------|---|
| 1.          | 12-2430-24  | Start switch, Emerson                   |
|             | 12-2430-44  | Start switch, GE / Regal Bel            |
| 2.          | 12-2430-22  | Drive Motor 208-230 v                   |
| 3.          | 13-0868-01  | Water Shed.                             |
| 4.          | 12-2430-29  | Bearing - Emerson                       |
|             | 12-2430-49  | Bearing - GE / Regal Beloit             |
| 5.          | A32379-029  | Seal, Output                            |
| 6.          | A32379-024  | First Gear & Bearing                    |
| 7.          | A32379-023  | 2nd Gear & Bearing                      |
| 8.          | A32379-021  | Gasket                                  |
| 9.          | A32379-020  | Gear Case                               |
| 10.         | A32379-027  | Oil, 1 Container                        |
| 11.         | A32379-022  | Gearcase Cover*                         |
| 12.         | A32379-026  | Bolt (6)                                |
| 13.         | A33220-022  | Complete Gearmotor Assembly. 208-230 v. |
|             | A33220-030  | Gearcase kit, no motor                  |

# AutoSentry Double System RL SERVICE PARTS Control Box

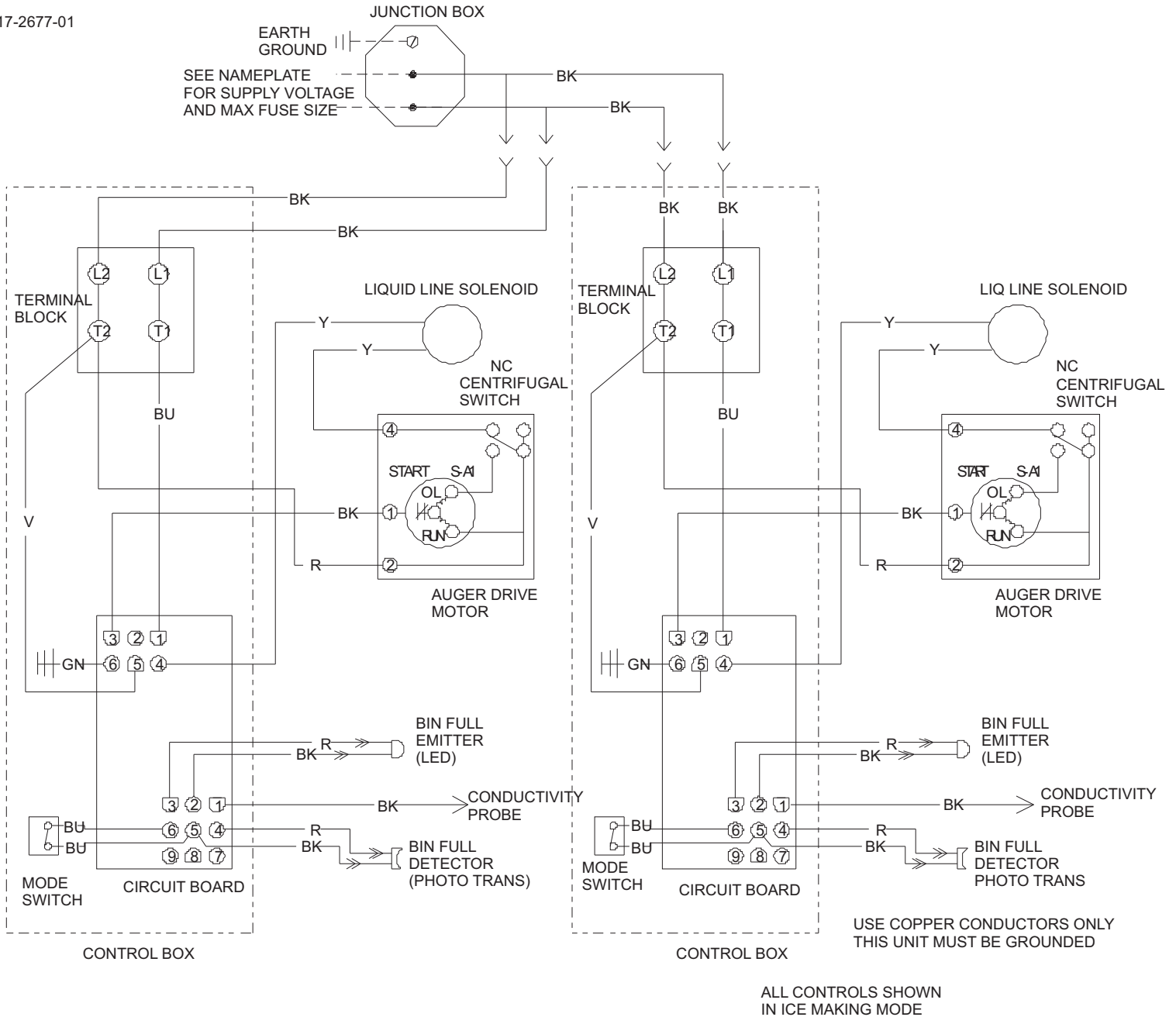


| ITEM NUMBER      | PART NUMBER | DESCRIPTION       |
|------------------|-------------|-------------------|
| 1                | 12-2835-22  | Circuit Board     |
| 2                | 12-2350-01  | Stand off         |
| 3                | 12-0426-01  | Mode Switch       |
| Not Illustrated: |             |                   |
| 4                | 12-0813-04  | Terminal Strip    |
| 5                | A34055-001  | Control Box Cover |

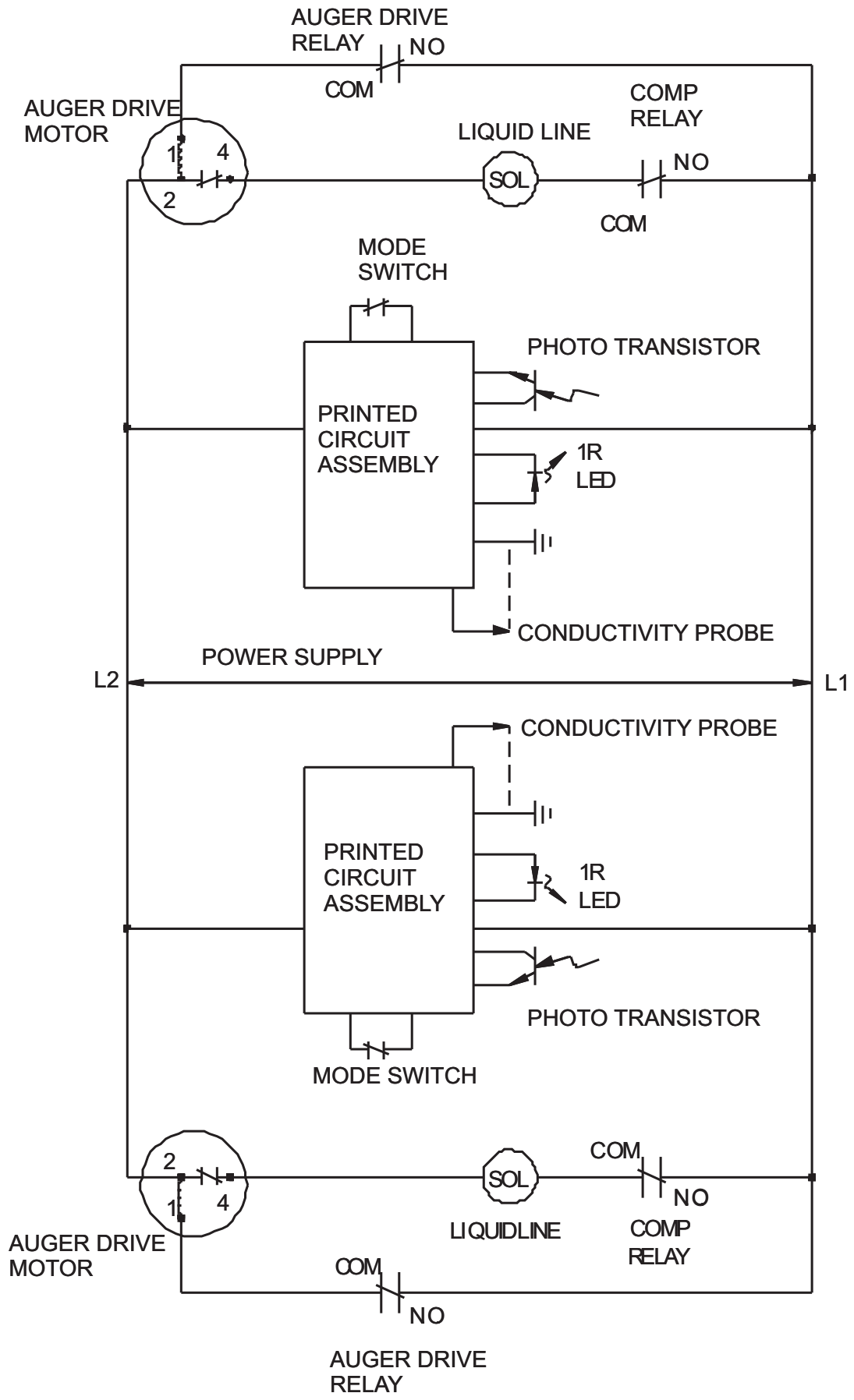


# AutoSentry Double System RL SERVICE PARTS Wiring Diagram

17-2677-01



# AutoSentry Double System RL SERVICE PARTS Schematic Diagram



# SERVICE BULLETIN

## Subject: NME, FME, NSE, NDE and TDE550/650 Top Bearing Lubrication

Two parts have been made available as helpful aids to use when lubricating the top bearing.

1. **02-3559-01** is a needle that snaps onto a standard grease gun fitting. Use it to insert and deeply pack the proper lubricant into the top bearing.
2. **A36808-001** is a tube of the proper lubricant, also designed to fit a standard grease gun.

Both numbers are in the parts price list.

Needle, shown inserted into bearing

