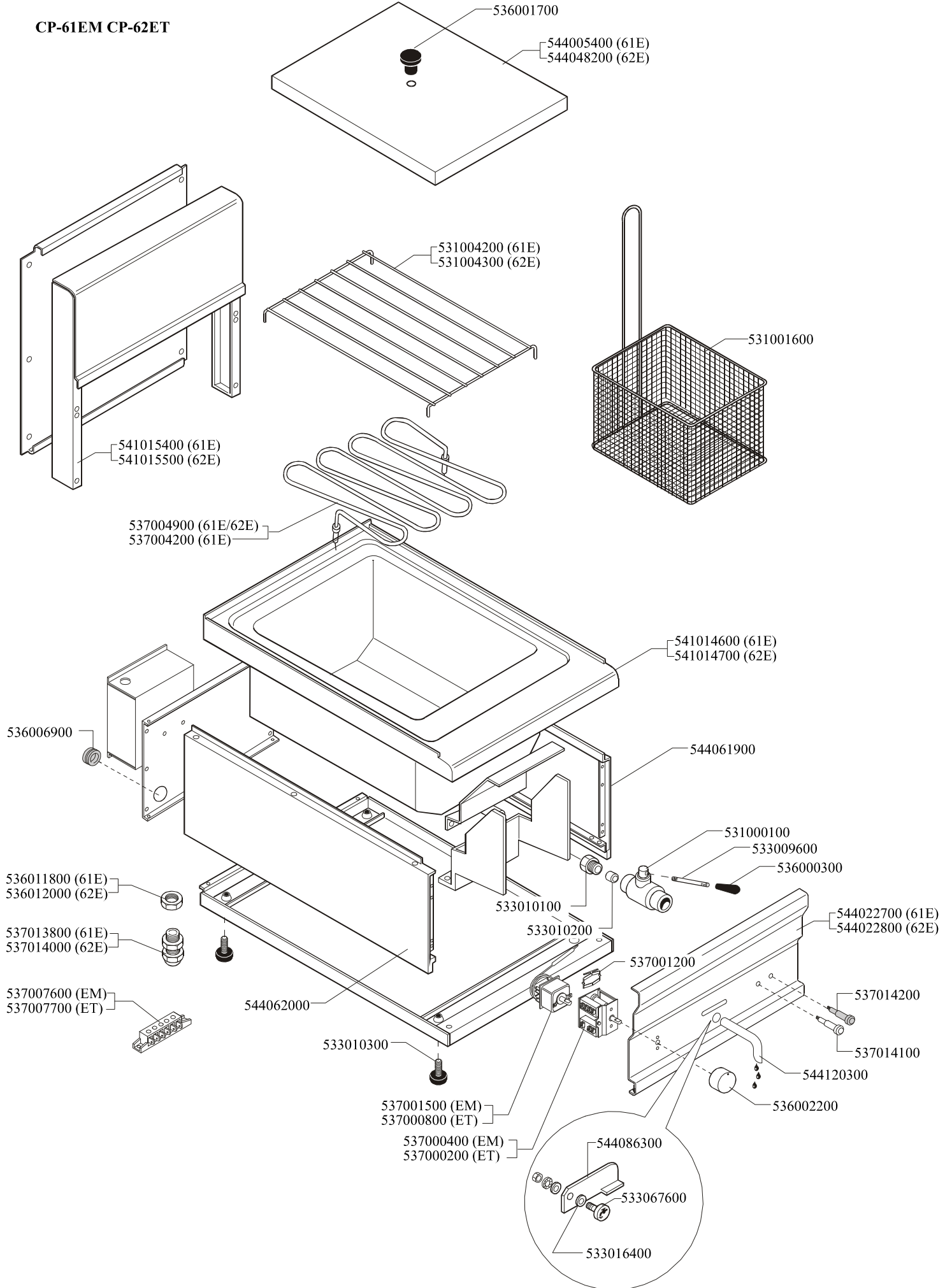


CP-61EM CP-62ET



Page	Pos	Code	Description
001		536001700	GRIP D.25*19*M6
001		544005400	TANK LID FQ-1/61E,CP-1/61E
001		531004200	GRID CP-1E
001		531001600	EL.PASTACOOKER BASKET 100*140*135H
001		541015400	NEUTRAL SPACER 61
001		537004900	HEATING ELEMENT W2000 V230 CP
001		537004200	HEATING ELEMENT W823 V230 BM
001		541014600	UPPER PLATE CP-61E
001		544061900	RIGHT SIDE PANEL 60 LINE
001		531000100	DRAIN COCK 3/4"
001		533009600	DRAIN COCK HANDLE
001		536000300	FIXED GRIP D.15*25*M6
001		533010100	3/4 D. 18 PIPE UNION
001		533010200	BICONE 18S
001		537001200	FIXING BRACKET FOR THERMOSTAT/COMM.
001		544022700	CONTROL PANEL BM/FQ-1E
001		537014200	GREEN WARNING LIGHT 250V
001		537014100	WHITE WARNING LIGHT 250V
001		544120300	DRAIN PIPE 22 FOR COCK 3/4"G
001		536002200	KNOB 30-90°C SNACK
001		544086300	COCK FIXING BRACKET
001		533067600	PIN FOR GRADUATED COCK BUSHING
001		533016400	COCK BUSHING
001		537000400	COMMUTATOR 1POS.SINGLEPHASE S49 16A
001		537001500	THERMOSTAT 30-90°C SINGLEPHASE
001		533010300	ADJUSTABLE FOOT M10*20 D.23
001		544062000	LEFT SIDE PANEL 60 LINE
001		537007600	TERMINAL BLOCK SINGLEPHASE 40A
001		537013800	CABLE SECURING CLAMP PG-13,5
001		536011800	HEXAGONAL LOCK NUT PG-13,5
001		536006900	RUBBER CABLE GUIDE D.25MM.HOLE 16MM