



Flockeneisbereiter, 95 kg/24 h, 30 kg Eisvorratsbehälter

Artikel-Nr.
711035 (GB903A)

Explosionszeichnung / Ersatzteile

Bitte bei Ersatzteilbestellung immer Artikelnummer und
Seriennummer mit angeben!



GB 903

LIST OF THE EXPLODED VIEWS



SHELL ASSY

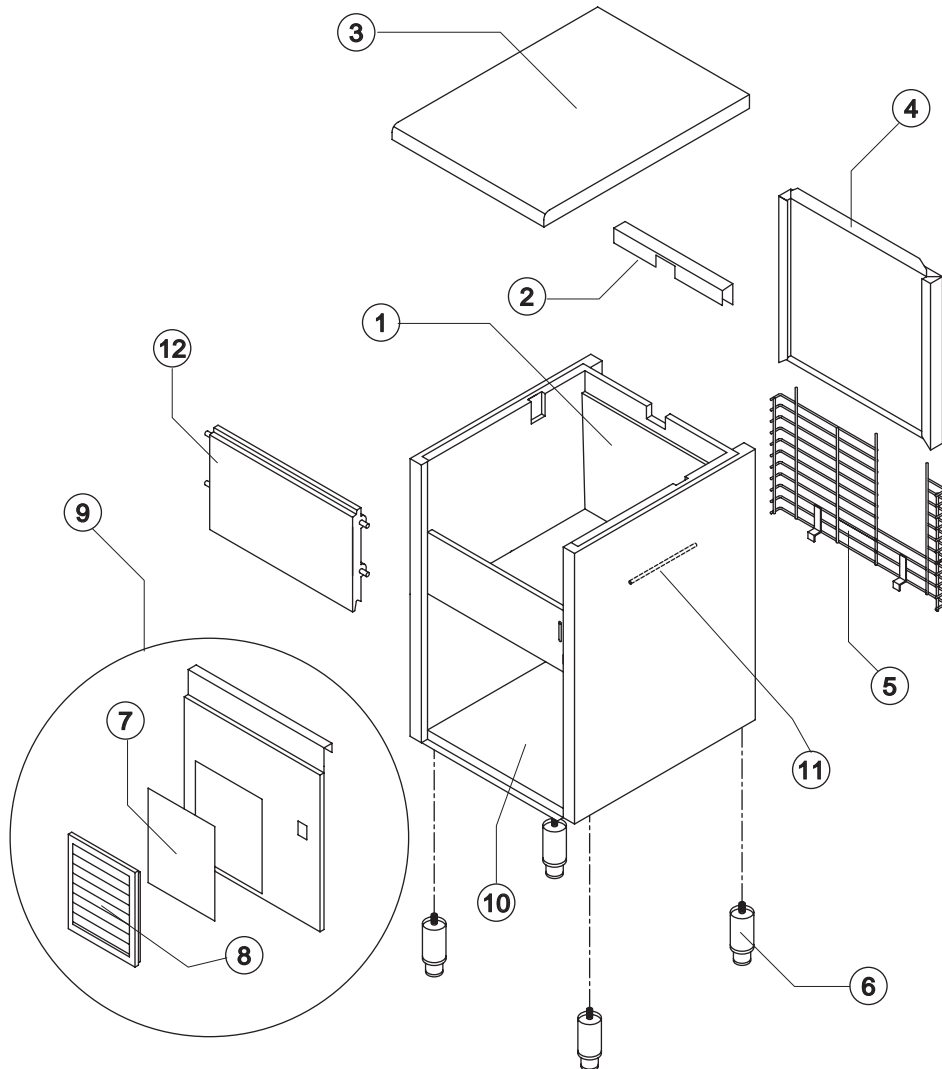
COOLING SYSTEM

EVAPORATOR

HYDRAULIC CIRCUIT

ELECTRIC PARTS

Rev. 8 - 20/01/2015

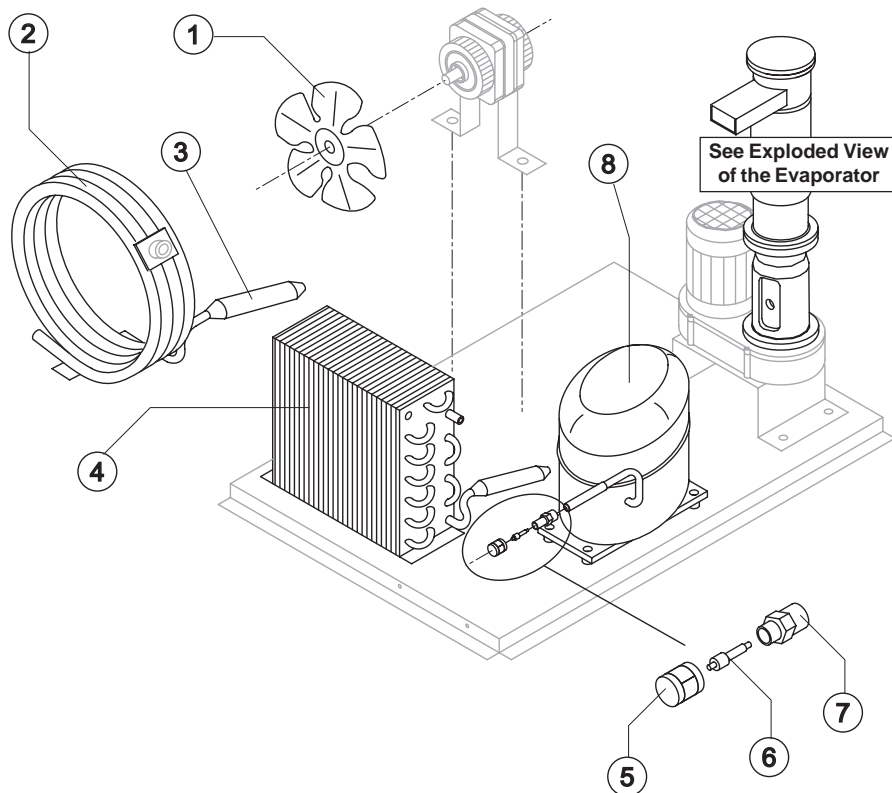


Rev. 8 - 20/01/2015

Ref.	Spare Description	Code	
1	Foamed Cabinet Assy	See Table	
2	Cover for Ice Exhaust	22590	
3	Top Assembly	C22689	
4	Rear Panel Assembly	C21316	
5	Rear Grid	D12014	
6	Adjustable Stainless Steel Foot	20613	
7*	Filtering Panel	18106	
8	Frame + Grid & Filter	C10205	
9	Front Grid Panel	C22508	
10	Base Plate	21283	
11	Bulbe-holder Pipe	Current Version	20521
11	Bulbe-holder Pipe	Till s/n. 444176	20522
12	Door Assy	C10297	

Ref. 1 - Foamed Cabinet Assy

Condensation	Code
Air	C11118A
Water	C11118W



Common Parts

Ref.	Spare Description	Code
3*	Molecular Drier	14009
5*	Vacuum-Charge Valve Plug	14006
6*	Vacuum-Charge Valve Device	14005
7	Vacuum-Charge Valve Body	14007
8	Compressor	See Table

Parts for Air-Cooled Version Only

Ref.	Spare Description	Code
1	Sucking Fan	See Table
4	Air Condenser	20283

Parts for Water-Cooled Version Only

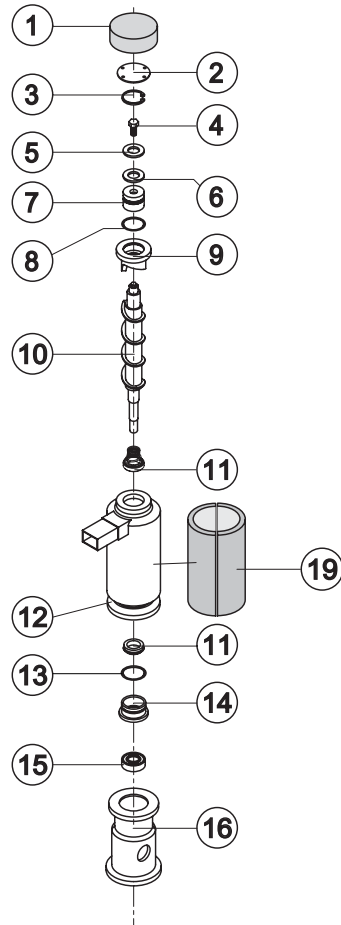
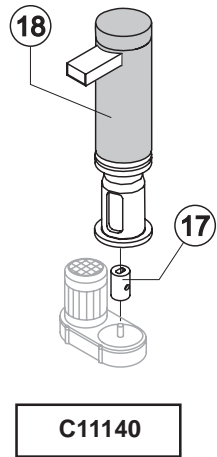
Ref.	Spare Description	Code
1	Sucking Fan	10213
2	Water Condenser	14057

Ref. 1 - Sucking Fan

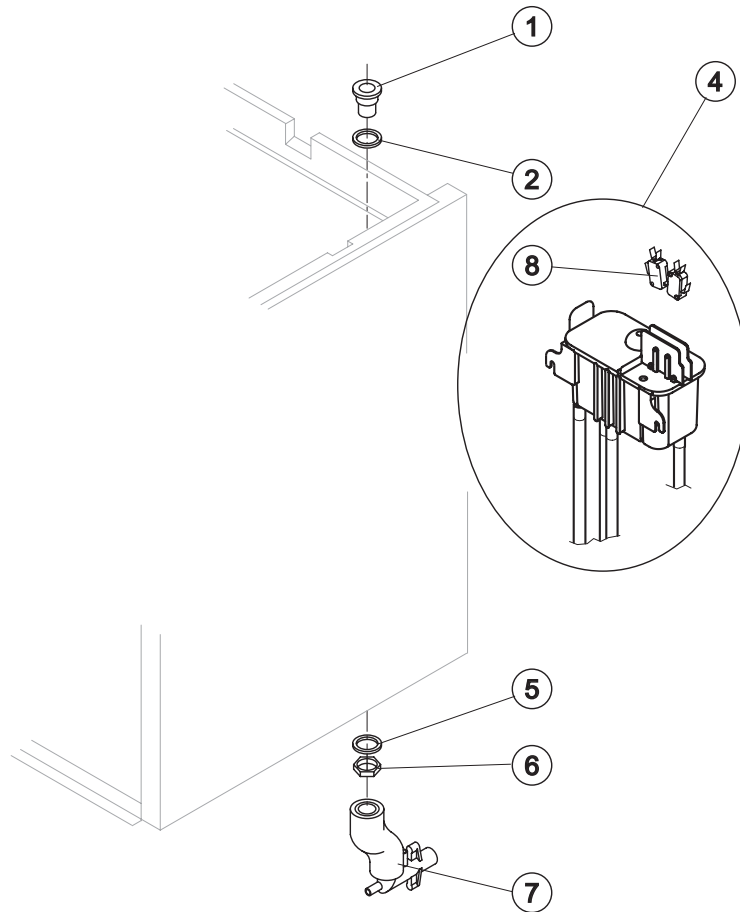
Voltage	Code
T11	20096
T12	20095
T13	20095
T19	20095

Ref. 8 - Compressor

Voltage	Code
T11	23985
T12	23494A
T13	231036
T19	231036



Ref.	Spare Description (Current Version)	Code
1	Insulating Cap	18170
2	Closing Disk	22825
3	Seeger	20043
4	Stainless Steel Screw	20663
5	Shimming Disk	22826
6	Self-Lubricating Disk	20631
7	Stainless Steel Thrust Bearing	20686
8	OR Gasket 3087	20688
9	Ice Breaker	20626
10	Auger	Current Version 20783
10	Auger	Till s/n. 238343 C20783
11	Ceramic Seal	20937
12	Insulated Evaporator	C11107
13	OR Gasket 3162 NBR70	20429
14	Reduction Ring	Current Version 20785
14	Reduction Ring	Till s/n. 238343 20624
15	Stainless Steel Bearing	Current Version 20782
15	Stainless Steel Bearing	Till s/n. 238343 20045
16	Flange	20629
17	Joint	Current Version D20784
17	Joint	Till s/n. 238343 D20630
18	Evaporator Assy	Current Version C11140
18	Evaporator Assy	Till s/n. 238343 KITNEVGB
19	Insulating Cap	18171



Common Parts

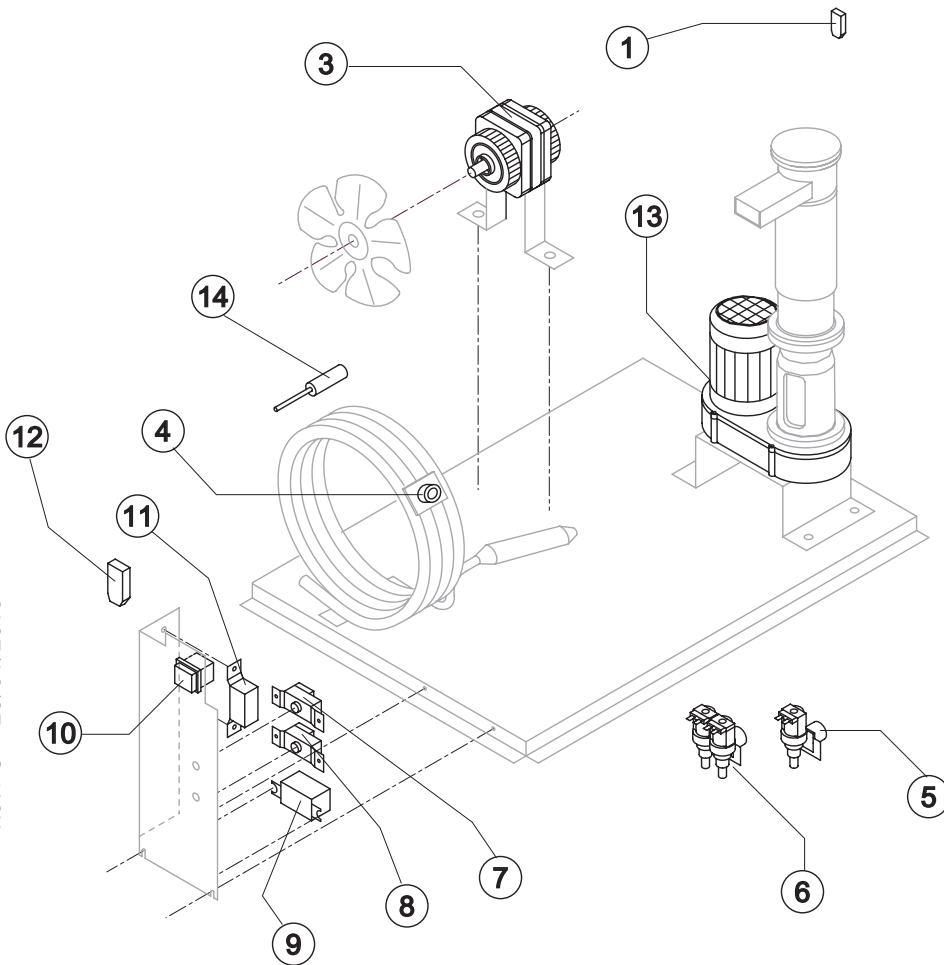
Ref.	Spare Description	Code
1	Water Outlet Nipple	10472
2	Silicone Gasket	13006
4*	Double Switch Basin Assembly	C10705
5	Semirigid Polyethylene Gasket	13007
6	Bin Discharge Nut	10096
8	Microswitch	23055

Parts for Air-Cooled Version Only

Ref.	Spare Description	Code
7	Discharges Manifold	C10235

Parts for Water-Cooled Version Only

Ref.	Spare Description	Code
7	Discharges Manifold	C10240



Common Parts

Ref.	Spare Description	Code
1	Anti Radio Interference Filter	T11 C23457
3*	Fan Motor	See Table -
7*	Bin Thermostat	R23005
8*	Evaporator Thermostat	Till s/n. 613004 R23034
9*	Relay	See Table -
10*	Green Light Switch (On-Off)	23327
11*	Condenser Pressure Switch	See Table -
12	Anti Radio Interference Filter	T11 C23459
13	Gearmotor	See Table -
14	Low pressure safety switch	From s/n. 613005 23909

Parts for Air-Cooled Version Only

Ref.	Spare Description	Code
5*	1 Way- Water Inlet Valve	See Table -

Parts for Water-Cooled Version Only

Ref.	Spare Description	Code
4*	Safety Thermostat	C23114
6*	2 Ways- Water Inlet Valve	See Table -

Rev. 8 - 20/01/2015

Ref. 6* - 2 Ways-Water Inlet Valve

Voltage	Code
T11	23116
T12	23116
T13	23322
T19	23322

Ref. 9* - Relay

Voltage	Current Version	till s/n. 699275
T11	23190	23190
T12	23190	23190
T13	231099	23557
T19	231099	23557

Ref. 11* - Cond. Pressure Switch

Voltage	Code
T11	23175
T12	23175
T13	23175
T19	23680

Ref. 13 - Gearmotor

Voltage	Current Version	Till s/n. 594455
T11	231030	R231030
T12	231030	R231030
T13	231056	R231056
T19	231056	R231056

Ref. 3* - Fan Motor

Voltage	Code
T11	23029
T12	23029
T13	23683
T19	23683

Ref. 5* - 1 Way-Water Inlet Valve

Voltage	Code
T11	23115
T12	23115
T13	23410
T19	23410