

# HOOD TYPE MACHINE

INSULATED DOUBLE WALLED CAPOTE  
ELECTRONIC SWITCHES VERSION

TYPE: 37E

Accessories

CAPOTE "LIFT" LIFTING SYSTEM

BOOSTER PUMP

DVGW

WATER SOFTNER

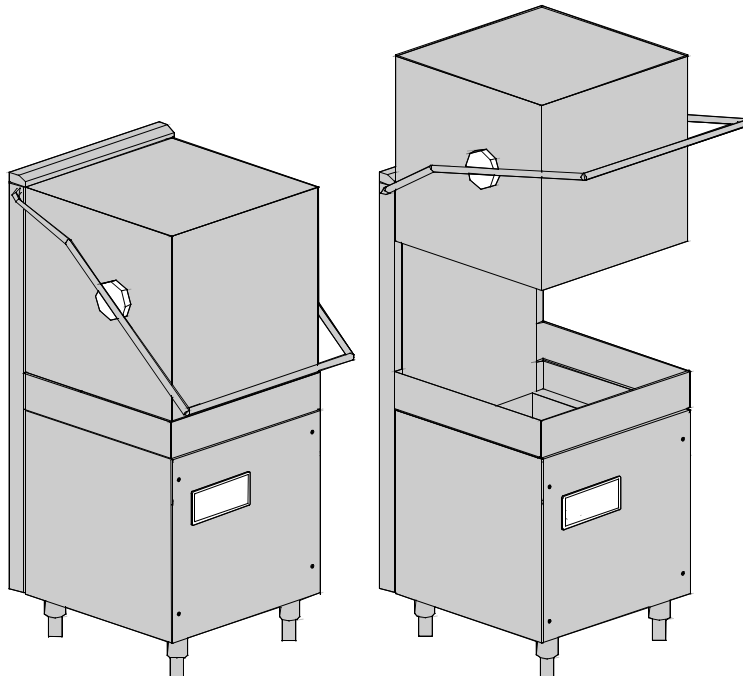
DETERGENT DISPENSER

DRAIN PUMP

---

## Spare parts manual

---





## 1. Spare parts

<b>General body parts.....</b>	<b>7</b>
<b>Closing panelig.....</b>	<b>9</b>
<b>Capote LIFT lifting system.....</b>	<b>11</b>
<b>Control electric components.....</b>	<b>13</b>
<b>Control electric components.....</b>	<b>15</b>
<b>Solenoid valve group .....</b>	<b>17</b>
<b>Solenoid valve group .....</b>	<b>19</b>
<b>Booster pump.....</b>	<b>21</b>
<b>DVGW .....</b>	<b>23</b>
<b>Water softner group.....</b>	<b>25</b>
<b>Shining product dosing device group .</b>	<b>27</b>
<b>Boiler group .....</b>	<b>29</b>
<b>3 ways derivation.....</b>	<b>31</b>
<b>Derivation group .....</b>	<b>33</b>
<b>Wash pump group.....</b>	<b>35</b>
<b>Dosing device group .....</b>	<b>37</b>

---

<b>Dosing device group .....</b>	<b>39</b>
<b>Drain pump group.....</b>	<b>41</b>
<b>Pressure switch group with air trap ...</b>	<b>43</b>
<b>Turret group with rotating arms .....</b>	<b>45</b>

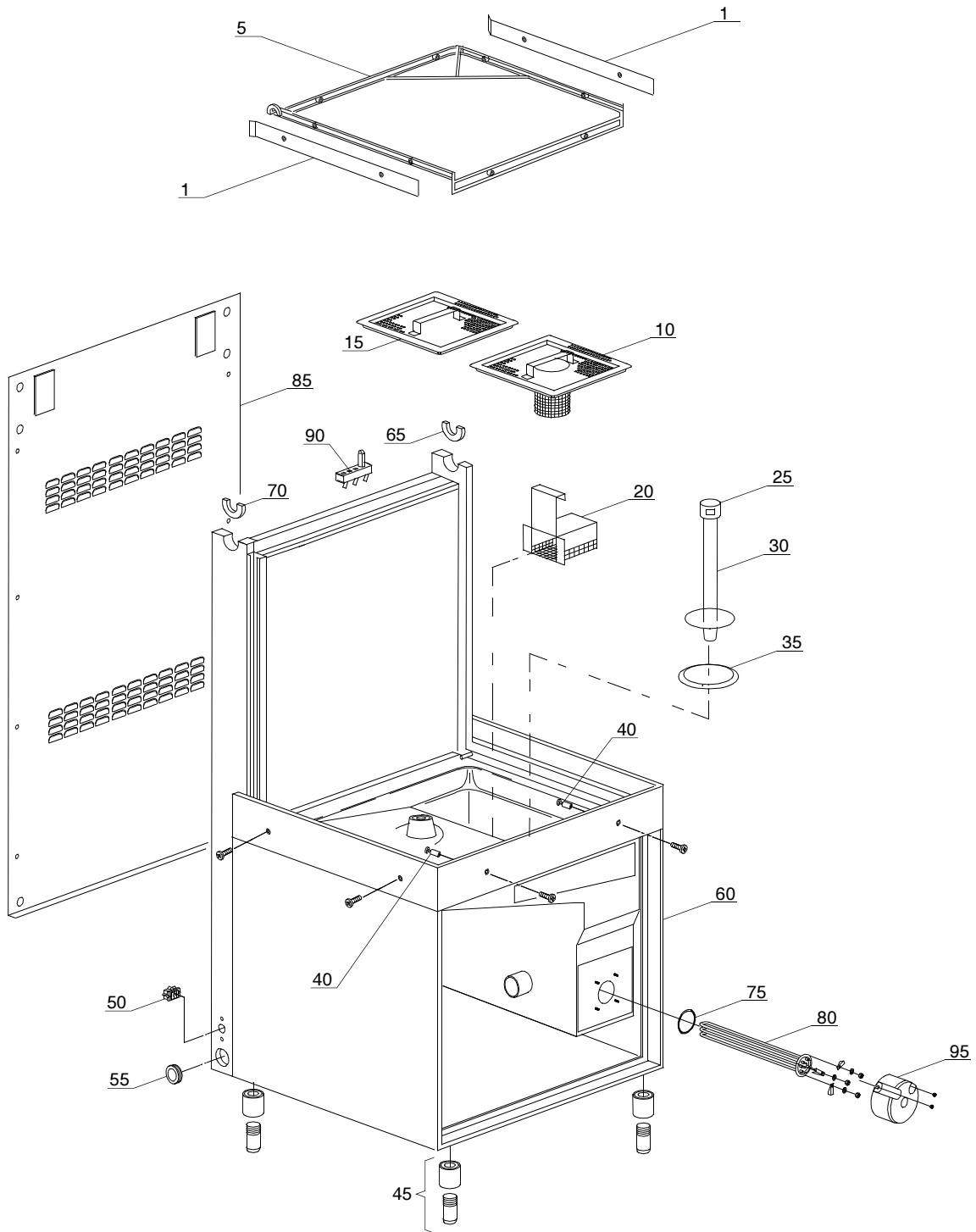
## 1.1 Voltage codes

Voltage code	Voltage
A	3/N/PE~400/230V 50Hz
B	~250V 16A 50Hz
C	3/N/PE~380/220V 50Hz
D	3/PE~200V 50-60Hz
F	2/PE 220-240V 50Hz
G	3/N/PE~415/240V 50Hz
H	3/PE~230V 50Hz
I	3/PE~220V 60Hz
J	3/PE~380 50Hz
K	3/PE~400V 50Hz
L	3/PE~415V 50Hz
M	3/PE~440V 60Hz
N	3/PE~460V 60Hz
O	3/PE~480V 60Hz
P	1/N/PE~220-240V 50Hz
R	2/PE~220-230V 60Hz
S	3/N/PE~400/230V 50Hz
T	3/PE~230V 60Hz

## 1.2 Product codes

Product code	Full name
Model codes	
is	INSULATED DOUBLE WALLED CAPOTE
e	ELECTRONIC SWITCHES VERSION
Type codes	
37E	37E
Accessory codes	
lift	CAPOTE "LIFT" LIFTING SYSTEM
pap	BOOSTER PUMP
dvgw	DVGW
d	WATER SOFTNER
dde	DETERGENT DISPENSER
ps	DRAIN PUMP

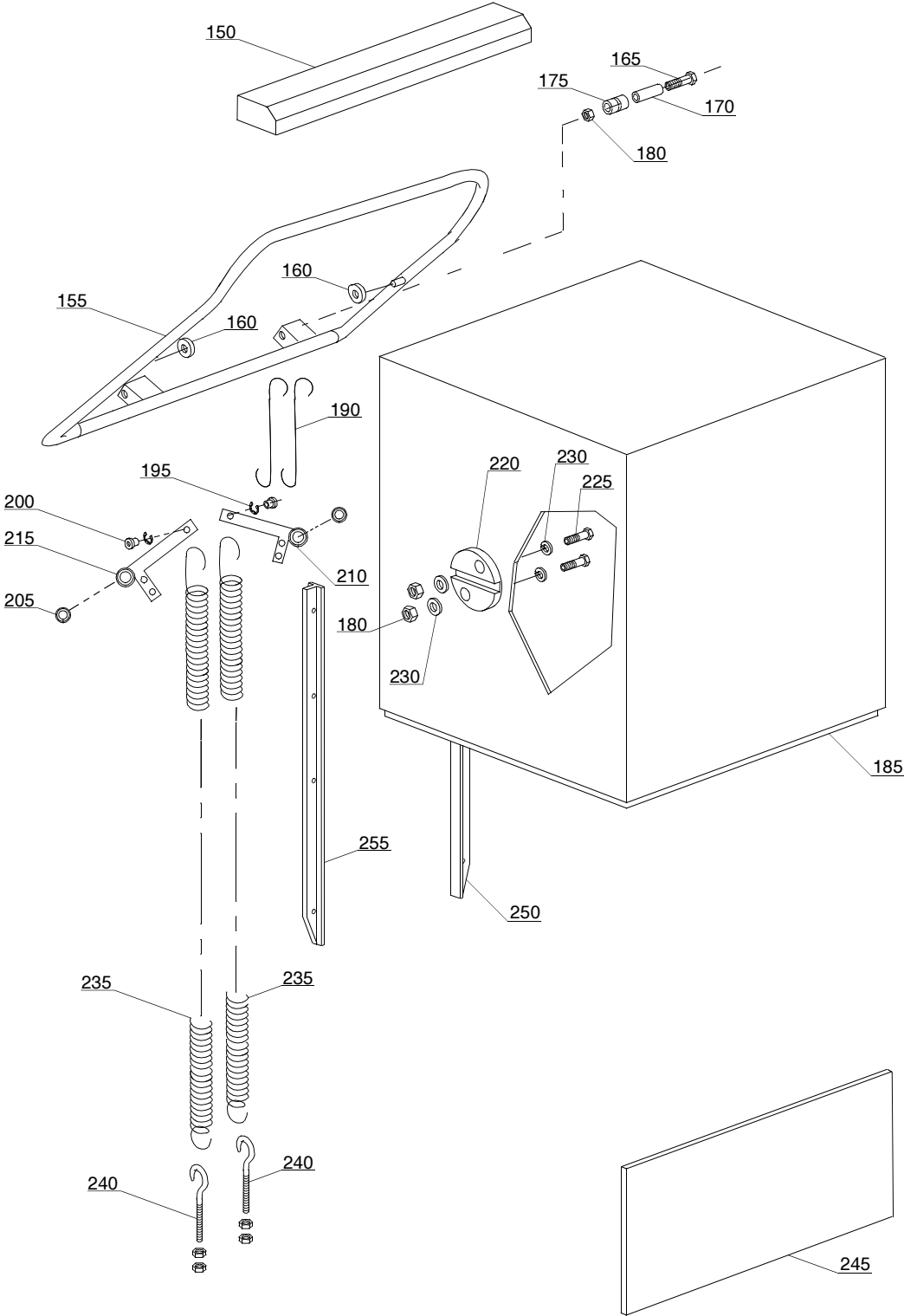
01\_004\_e



Spare parts

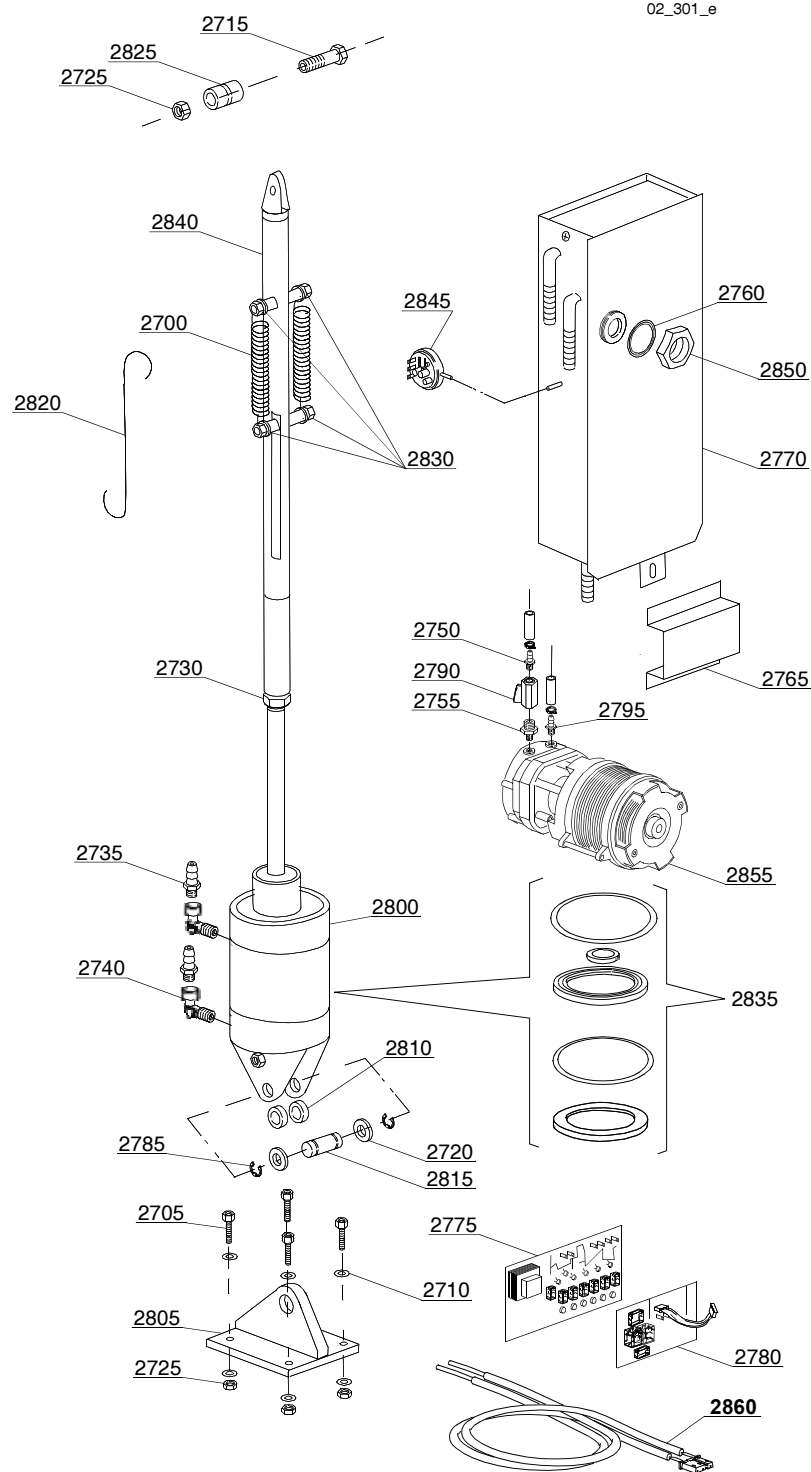
ID	P-code	Model	Type	Accessory	Voltage	Description
MODULE:General body parts						
1	10600923		37E			Basket side
5	11600001		37E			Basket support
10	11600906		37E			Filter with hole
15	11600907		37E			Filter
20	3019071		37E			Suction filter
25	11600019		37E			Terminal overflow pipe
30	11600011		37E			Overflow pipe
30	11600052		37E	dp		Overflow pipe
35	11600002		37E			Flange gasket
40	11600018		37E			Basket-holder support pin
45	15116		37E			Foot
50	15065/A		37E			Cable-fastener with screw
55	13324		37E			O46 mm fairlead
60	11600900		37E			Base assembly
65	11600016		37E	lift		Right grip pilot boss
65	11600055		37E			Right/left pilot bush
70	11600017		37E	lift		Left grip pilot boss
70	11600055		37E			Right/left pilot bush
75	13015		37E			6225 OR 160 NBR gasket
80	15089		37E			4,5KW heating element
80	15046		37E			3KW heating element
80	15089/B		37E			4,5KW heating element - 440Vac
85	11600630		37E			Back panel
90	70305		37E			Limit stop push button
95	75311		37E			Heating element guard

02\_202\_e





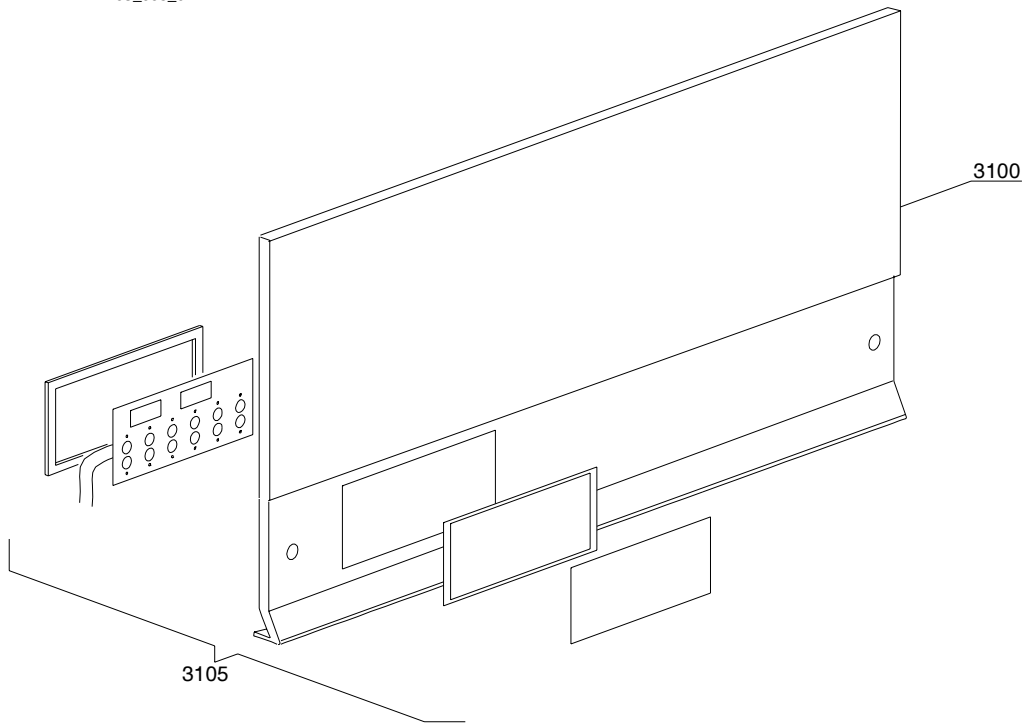
ID	P-code	Model	Type	Accessory	Voltage	Description
MODULE:Closing panelig						
150	11600913		37E			Spoiler
155	11600910		37E			Grip
160	89919		37E			Wheel for basket
165	11214		37E			Screw
170	11600015		37E			Roller spacer
175	11600014		37E			Roller tie rod
180	11718		37E			M8 stainless steel self-locking nut
185	11600902		37E			Capote
190	11600013		37E			Union grip/levers tie rod
195	11823		37E			O10 stainless steel snap ring
200	11600038		37E			Spring bush
205	10800010		37E			Lever bearing
210	11600026		37E			Right lever
215	11600027		37E			Left lever
220	11600030		37E			Capote movement cam
225	11110		37E			M8x35 TE stainless steel screw
230	13301		37E			Gasket
235	70302		37E			Back spring
240	10800210		37E			Tie rod screw with hook
245	11600616		37E			Lower door panel
250	11600028		37E			Capote right sliding guide
255	11600029		37E			Capote left sliding guide



## Spare parts

ID	P-code	Model	Type	Accessory	Voltage	Description
MODULE:Capote LIFT lifting system						
2700	10700		37E	lift		Door spring
2705	11166		37E	lift		Screw
2710	11177		37E	lift		Plain washer
2715	11215		37E	lift		Screw
2720	11617		37E	lift		Washer
2725	11718		37E	lift		M8 stainless steel self-locking nut
2730	11720		37E	lift		M16 stainless steel nut
2735	12005		37E	lift		Rubber-holder
2740	12012		37E	lift		M/F 1/4 Elbow
2750	12013		37E	lift		Rubber-holder
2755	12034		37E	lift		Reduction nipple
2760	13305		37E	lift		44x32x3 drain elbow gasket
2765	15738		37E	lift		Hole protection
2770	15745		37E	lift		G12 lift tank piston
2775	50557		37E	lift		60/100/180 Eco-2 electronic timer
2780	50559		37E	lift		Electronic timer for Exp - Ps card
2785	3002069		37E	lift		Stainless steel snap ring
2790	3002140		37E	lift		FF 1/2 tap
2795	10221311		37E	lift		Rubber-holder
2800	11600042		37E	lift		G-12 hydraulic piston
2805	11600043		37E	lift		Ball joint flange for piston
2810	11600044		37E	lift		Spacer for ball joint flange
2815	11600045		37E	lift		Piston attachment pin for flange
2820	11600046		37E	lift		G-12 lift tie rod for grip lever
2825	11600047		37E	lift		G-12 strengthened roller
2830	11600049		37E	lift		Spacer for spring attachment
2835	11600053		37E	lift		Set of gasket for hydraulic piston
2840	11600917		37E	lift		G-12 lifting arm
2845	10706/A		37E	lift		47-27 pressure switch
2850	11701/A		37E	lift		Stainless steel nut
2855	15100/D		37E	lift		Booster pump
2860	50562		37E	lift		Thermostat probe

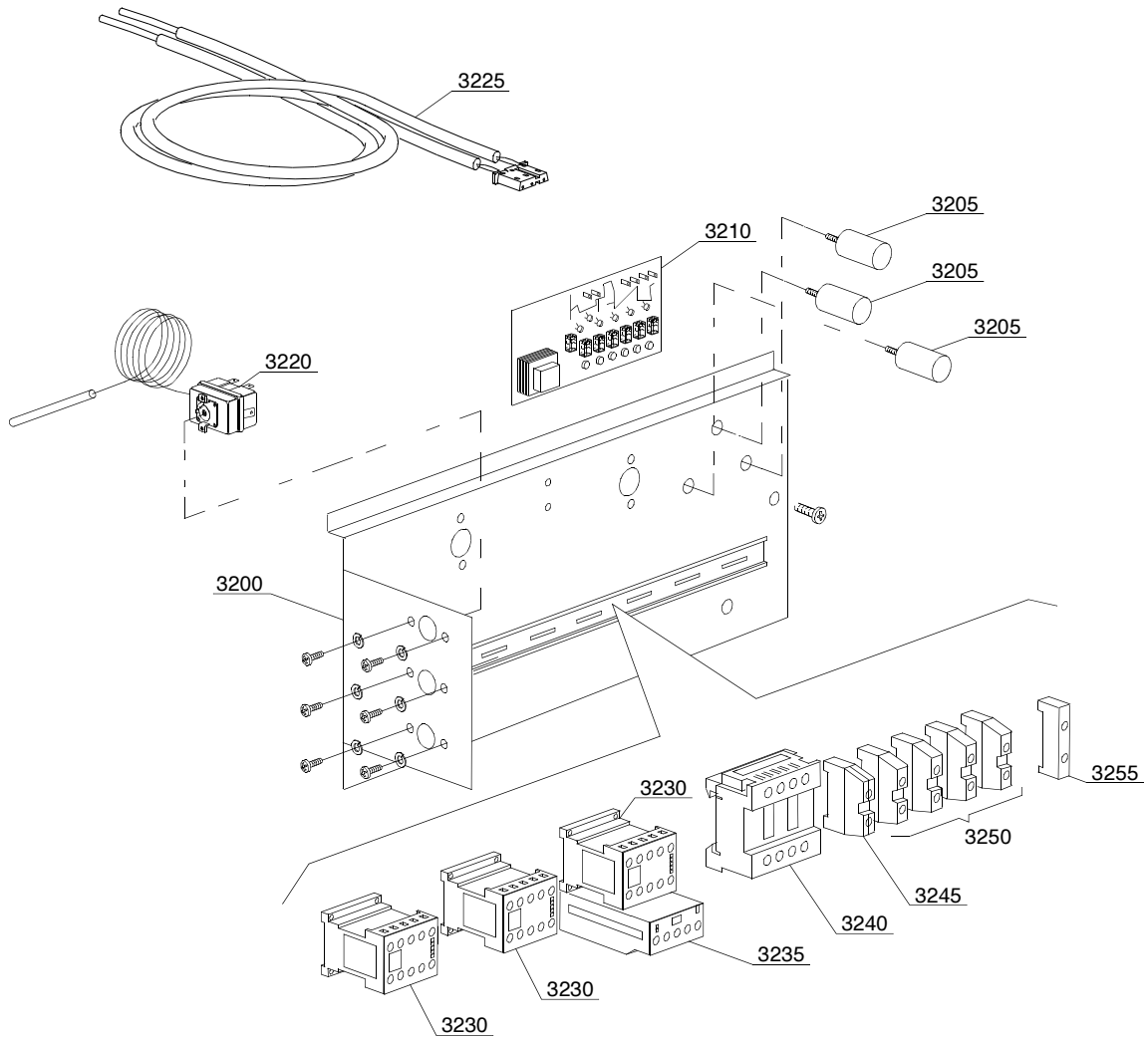
03\_008\_e



## Spare parts

---

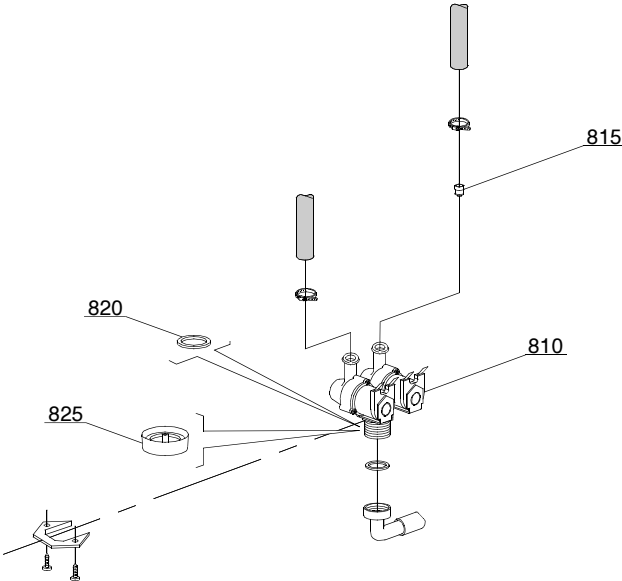
ID	P-code	Model	Type	Accessory	Voltage	Description
MODULE:Control electric components						
3100	11600923		37E			Control panel
3105	50570		37E	dp		Compleat membrane key-driver



04\_006\_e

## Spare parts

ID	P-code	Model	Type	Accessory	Voltage	Description
MODULE:Control electric components						
3200	11600619		37E			Electric component panel
3205	15149		37E			Low noise filter
3210	50557		37E			60/100/180 Eco-2 electronic timer
3220	2000430		37E			Safety thermostat
3225	50562		37E			Thermostat probe
3230	15086		37E			Remote control switch 230V 50/60Hz 4C
3235	10300321		37E			3-5A temperature relay
3240	10300050		37E			25A/12A remote control switch
3245	10300401		37E			6/8mm2 yellow/green terminal
3250	10300403		37E			6mm2 terminal
3255	3006093		37E			Slide DIN retainer



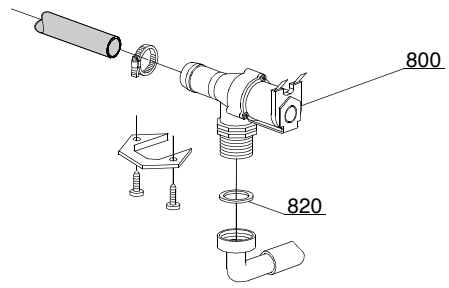
05\_003\_e



## Spare parts

---

ID	P-code	Model	Type	Accessory	Voltage	Description
MODULE:Solenoid valve group						
810	15098		37E	cr,ws		Double solenoid valve - O10
815	15115		37E	cr,ws		Green pression solenoid valve
820	N.C.		37E	cr,ws		Pression reducing valve



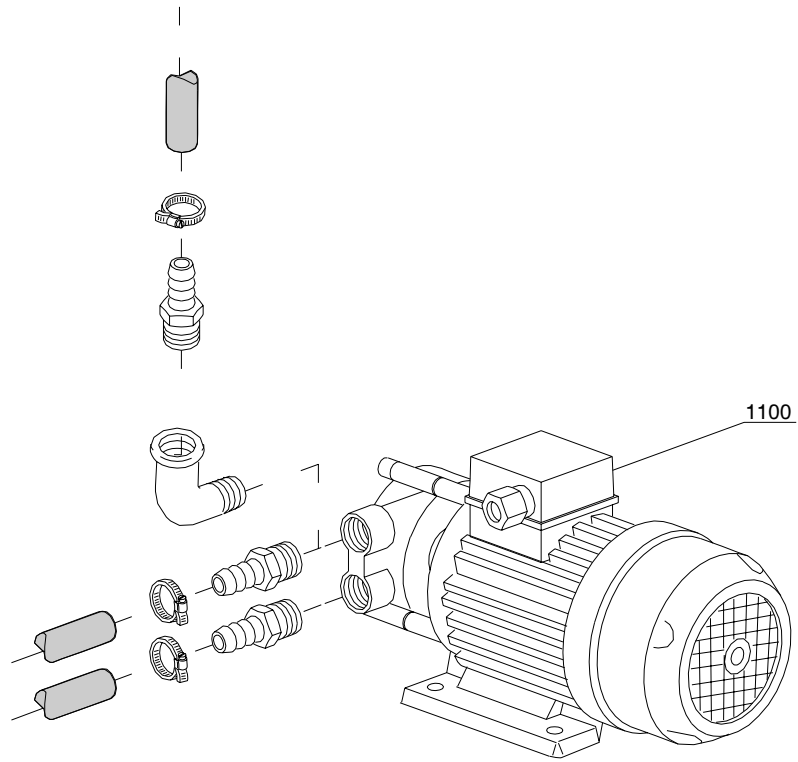
05\_005\_e

## Spare parts

---

ID	P-code	Model	Type	Accessory	Voltage	Description
MODULE:Solenoid valve group						
800	30001000		37E			Single solenoid valve
820	N.C.		37E			Pression reducing valve

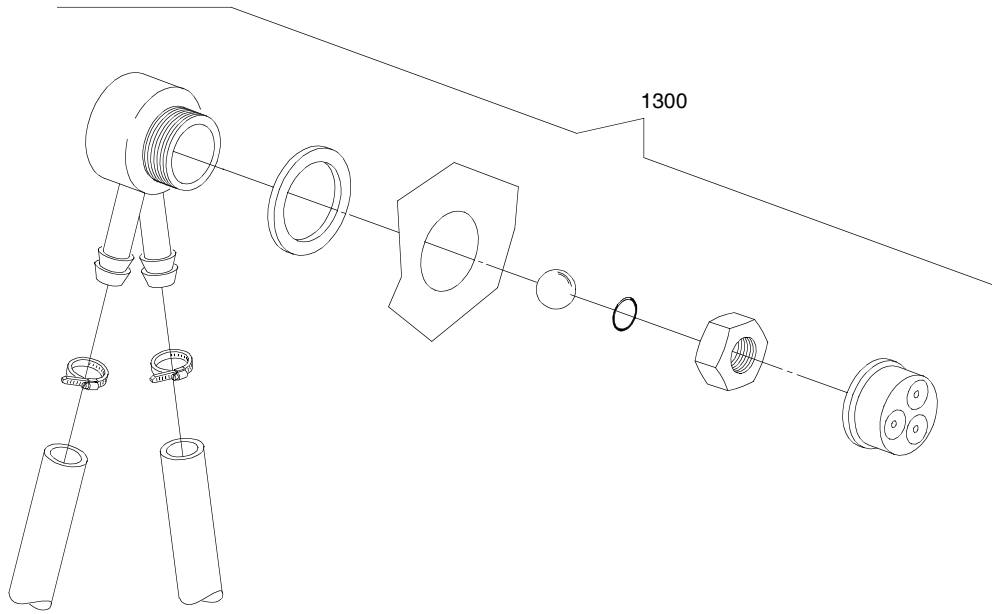
07\_002\_e



**Spare parts**

---

ID	P-code	Model	Type	Accessory	Voltage	Description
MODULE:Booster pump						
1100	15100		37E	bp		Booster pump



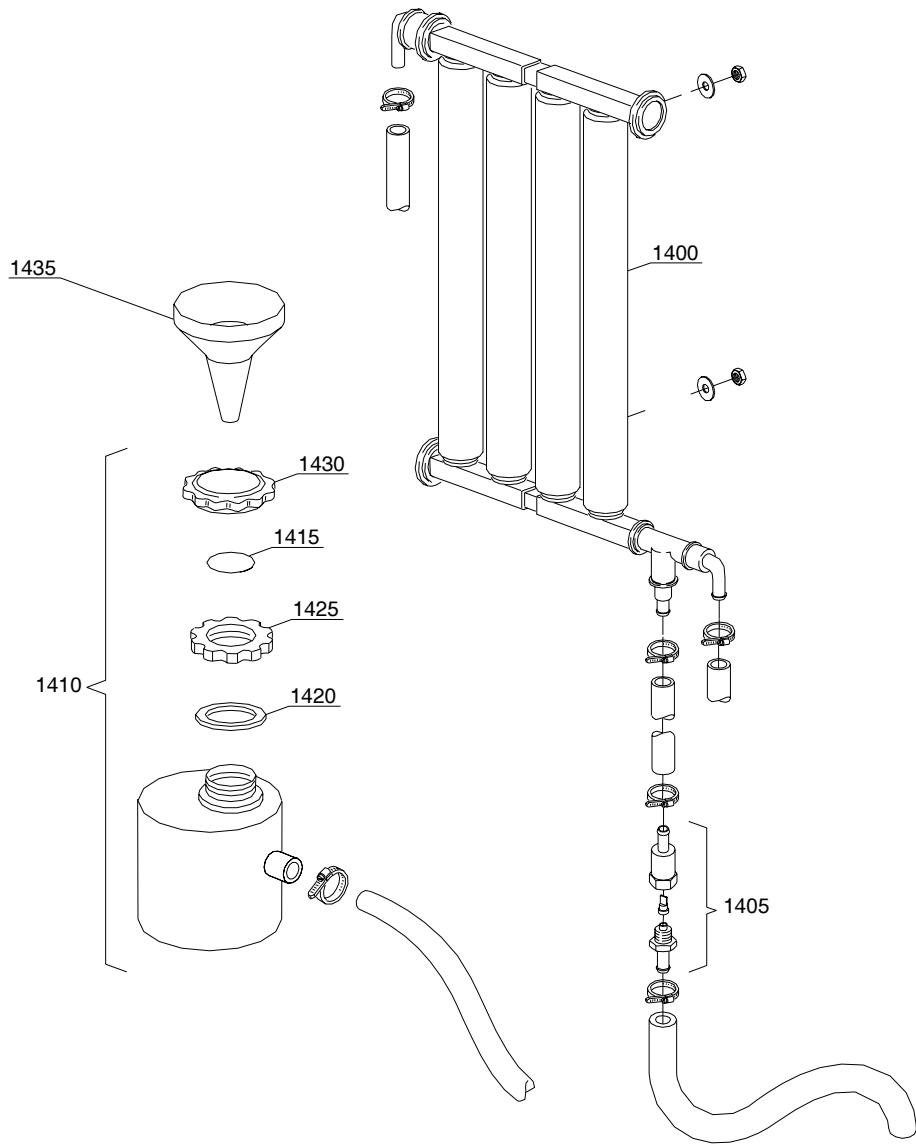
08\_005\_e

**Spare parts**

---

ID	P-code	Model	Type	Accessory	Voltage	Description
MODULE:DVGW						
1300	999900006		37E	dvgw		DVGW assembly

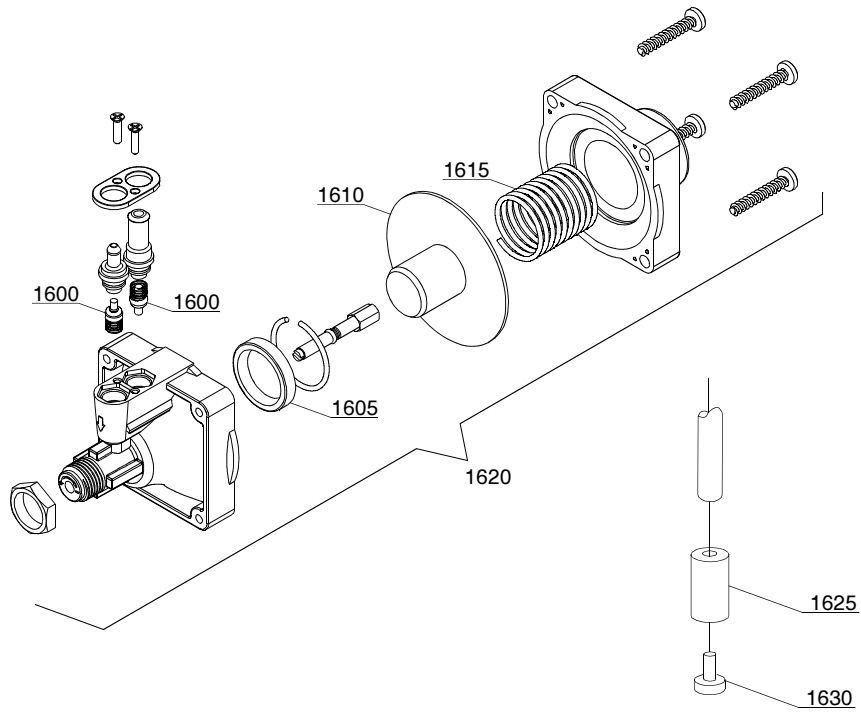
09\_001\_e





## Spare parts

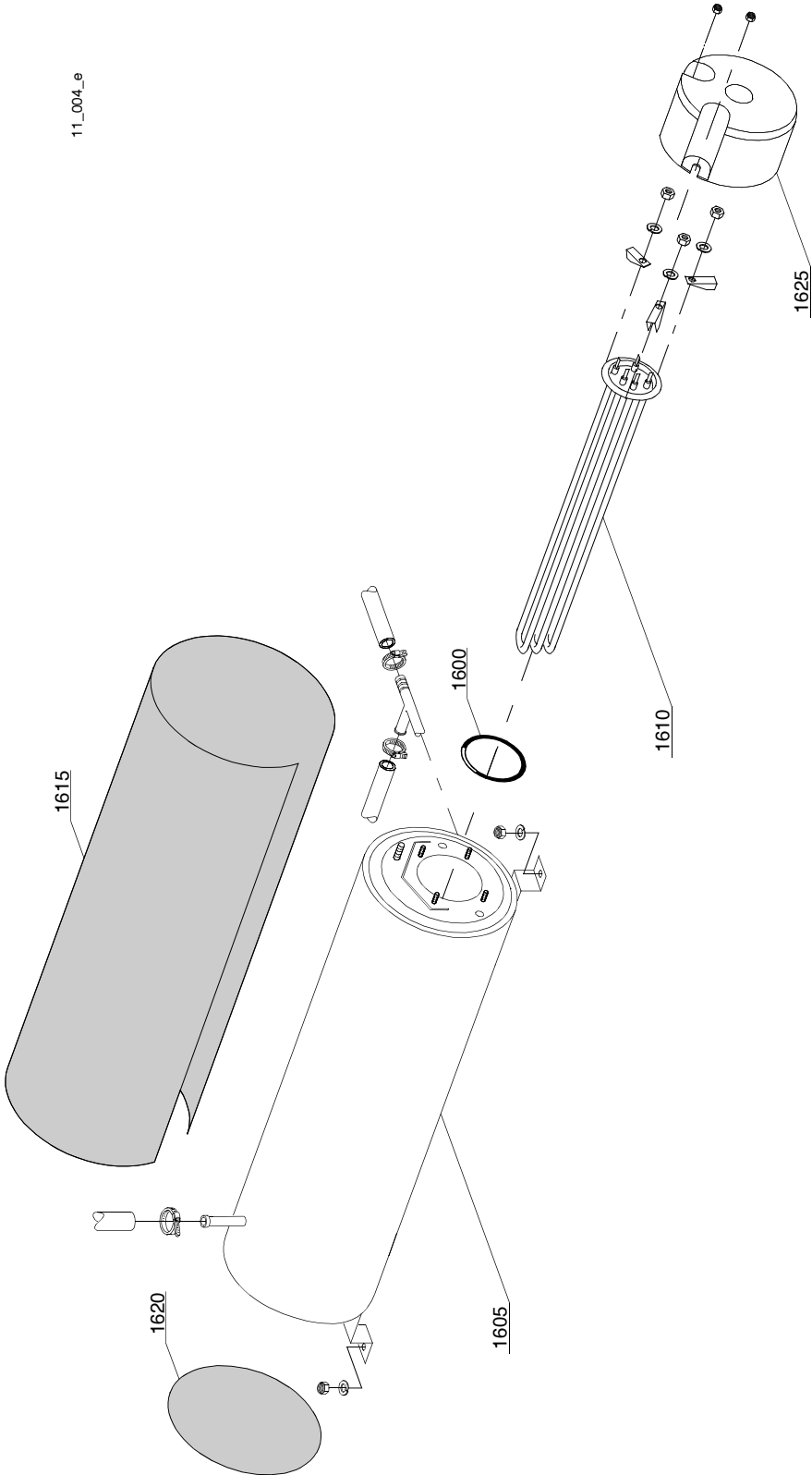
ID	P-code	Model	Type	Accessory	Voltage	Description
MODULE:Water softner group						
1400	16066		37E	ws		4 elements water softner
1405	16070		37E	ws		Nonreturn valve
1410	16065		37E	ws		Salt container
1415	16067/A		37E	ws		OR gasket
1420	16067/B		37E	ws		Gasket
1425	16067/C		37E	ws		Ring nut
1430	16067/D		37E	ws		Plug
1435	16082		37E	ws		Funnel



10\_003\_e

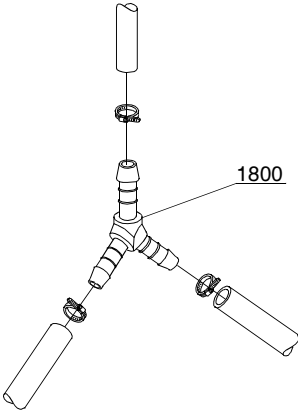
**Spare parts**

ID	P-code	Model	Type	Accessory	Voltage	Description
MODULE:Shining product dosing device group						
1600	10805		37E			Tecnopro dosing valve
1605	10806		37E			O22 gasket
1610	10807		37E			Membrane
1615	10808		37E			Spring
1620	10599999		37E			Shining product dosing device
1625	12525		37E			Counter-weight
1630	15058		37E			Small filter



## Spare parts

ID	P-code	Model	Type	Accessory	Voltage	Description
MODULE:Boiler group						
1600	13015		37E			6225 OR 160 NBR gasket
1605	22002		37E			Boiler
1610	30001011		37E			9KW heating element
1610	30001011/A		37E			12KW heating element
1610	30001011/C		37E			9KW heating element (440Vac)
1615	30002030		37E			Insulating boiler
1620	75205		37E			O160 bottom
1625	75311		37E			Heating element guard



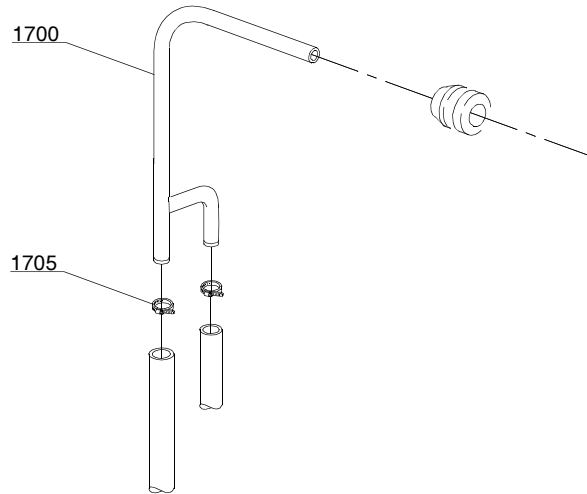
12\_003\_e

## Spare parts

---

ID	P-code	Model	Type	Accessory	Voltage	Description
MODULE:3 ways derivation						
1800	540090		37E	ws		O10 mm plastic 3 ways derivation

12\_007\_e

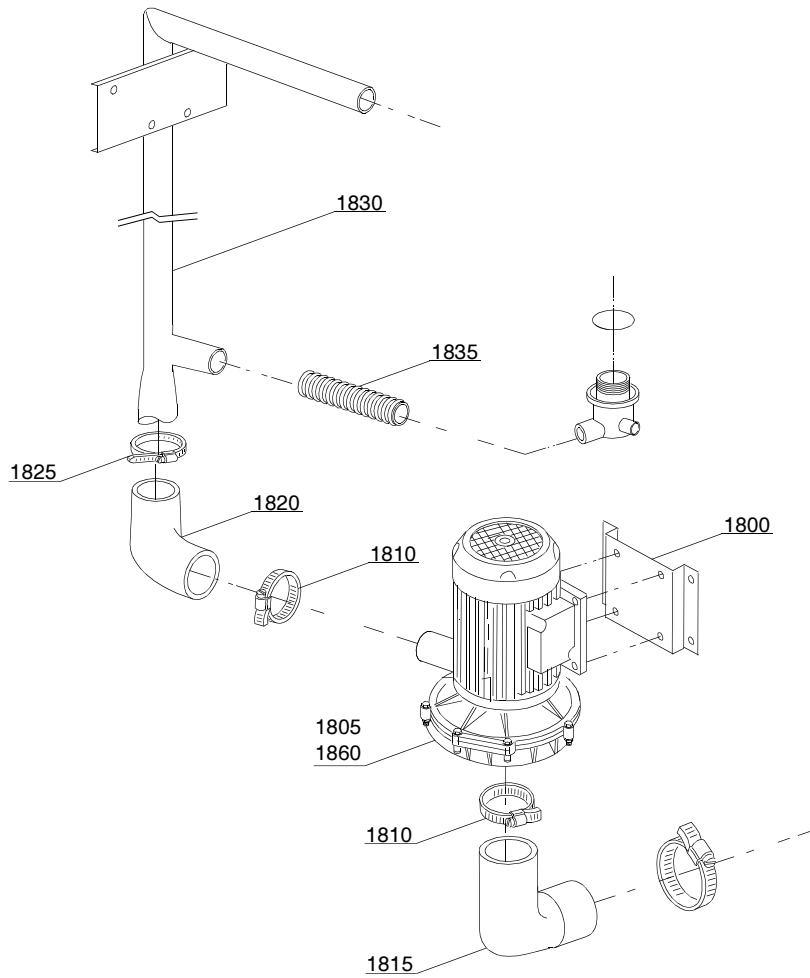




**Spare parts**

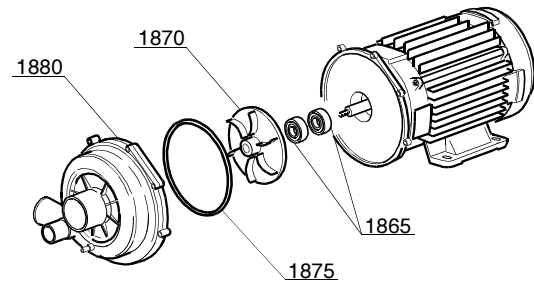
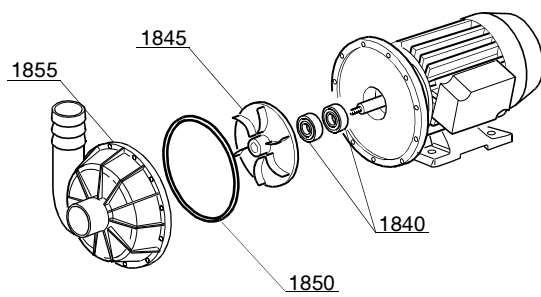
---

ID	P-code	Model	Type	Accessory	Voltage	Description
MODULE:Derivation group						
1700	15045/B		37E			3 ways derivation
1705	11807		37E			12/22 clamp



1805

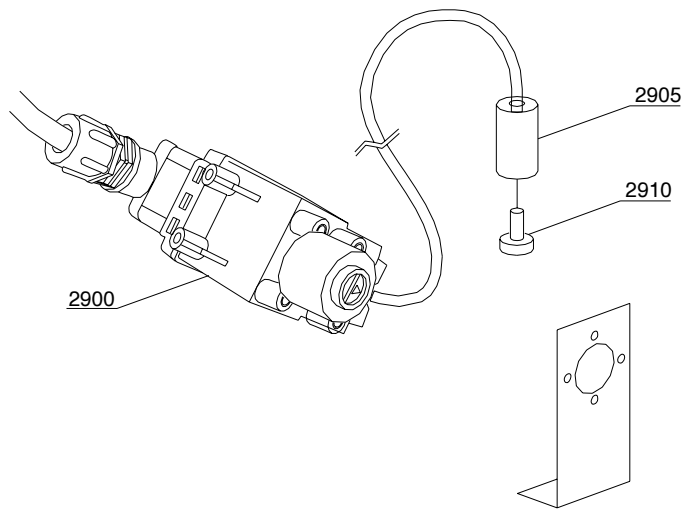
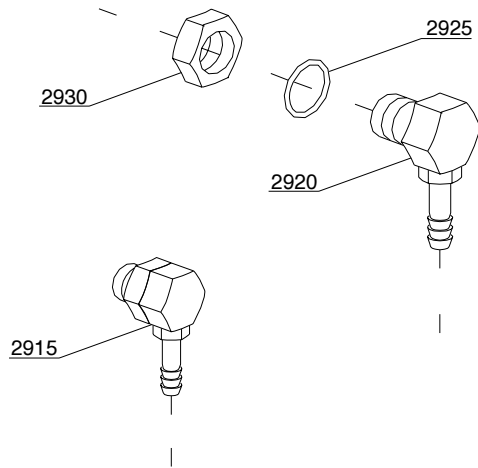
1860



## Spare parts

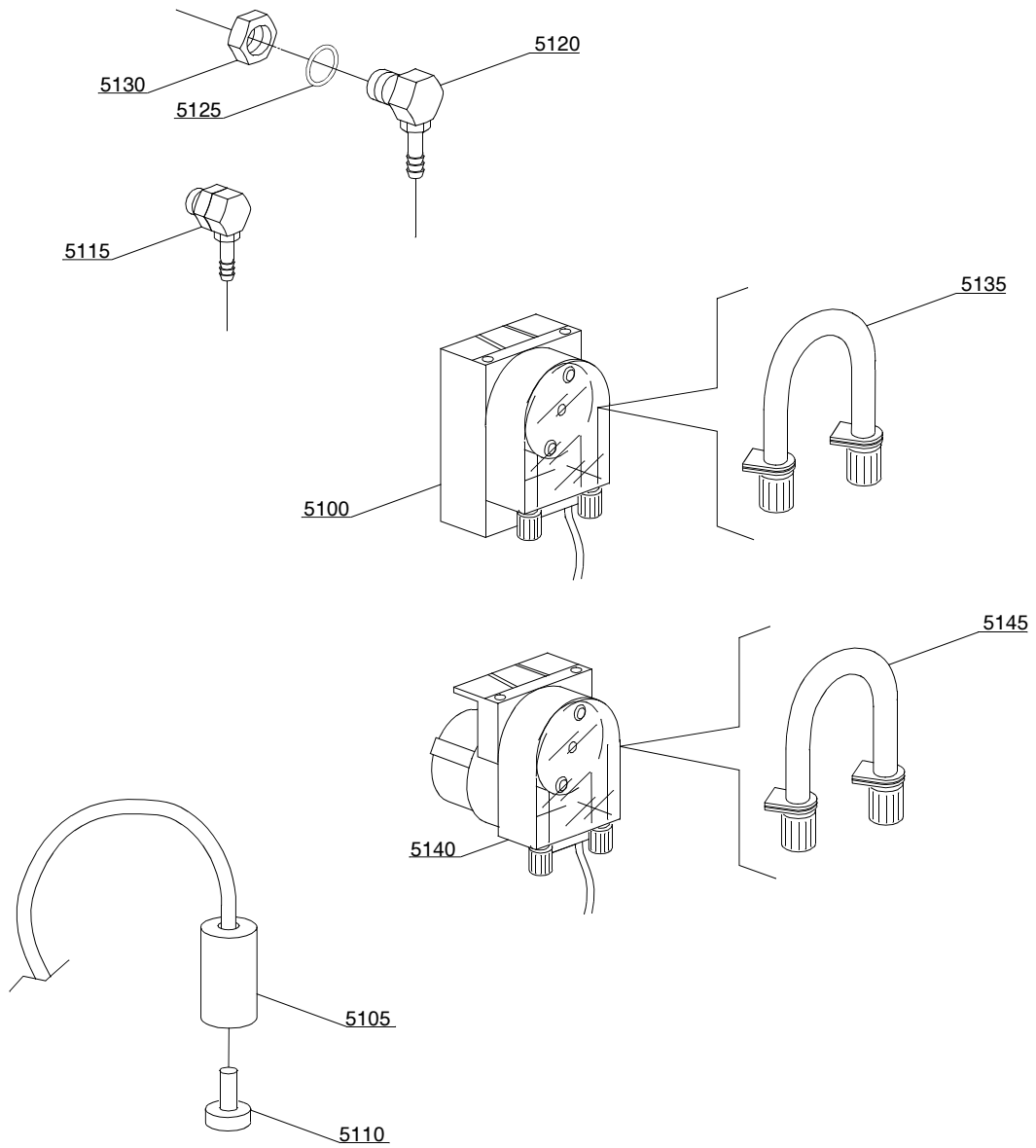
ID	P-code	Model	Type	Accessory	Voltage	Description
MODULE:Wash pump group						
1800	11600623		37E			Pump support hanger
1805	10300057/A		37E			1,5Hp pump
1810	11824		37E			50/70 clamp
1815	3002020		37E			Elbow pipe coupling
1820	11600000		37E			Wash ramp delivery side pipe coupling
1825	11809		37E			30/45 clamp
1830	11600022		37E			Wash ramp
1835	11600048		37E			Pipe coupling
1840	15080		37E			Rotating seals
1845	10209807		37E			Pump rotor (pump 1,5KW)
1850	10200290		37E			OR 1225 gasket
1855	10200222		37E			Scroll

14\_002\_e



## Spare parts

ID	P-code	Model	Type	Accessory	Voltage	Description
MODULE:Dosing device group						
2900	15108/L		37E	dd		Lang dosing device
2905	12525		37E	dd		Counter-weight
2910	15058		37E	dd		Small filter
2915	15123		37E	dd		Compleat plastic injector
2920	15148		37E	dd		Steel injector
2925	15159		37E	dd		OR gasket
2930	10200205		37E	dd		M12x1 stainless steel nut

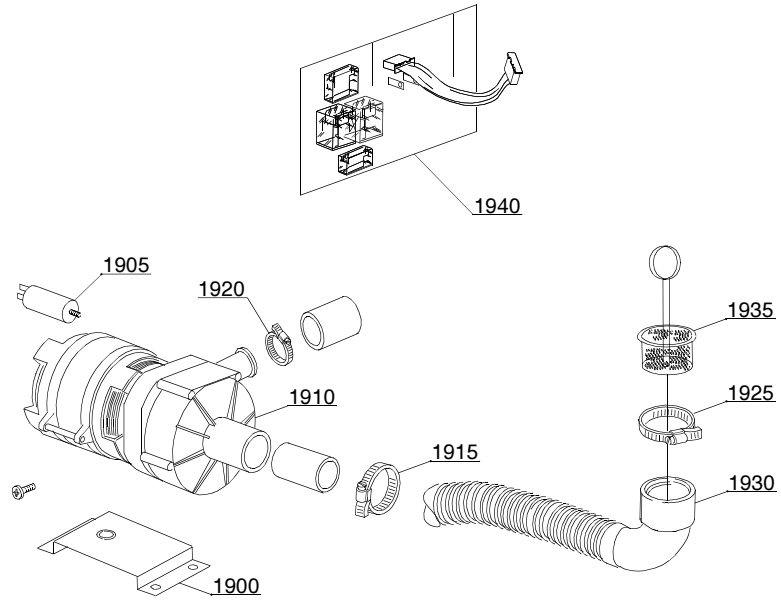


14\_004\_e

## Spare parts

ID	P-code	Model	Type	Accessory	Voltage	Description
MODULE:Dosing device group						
5100	15985		37E	dd		Seko dosing device
5105	12525		37E	dd		Counter-weight
5110	15058		37E	dd		Small filter
5115	15123		37E	dd		Complet plastic injector
5120	15148		37E	dd		Steel injector
5125	15159		37E	dd		OR gasket
5130	10200205		37E	dd		M12x1 stainless steel nut
5135	15185		37E	dd		Seko thermoplastic pipe
5140	15985		37E	dd		Germac dosing device
5145	15108/E		37E	dd		Germac thermoplastic pipe

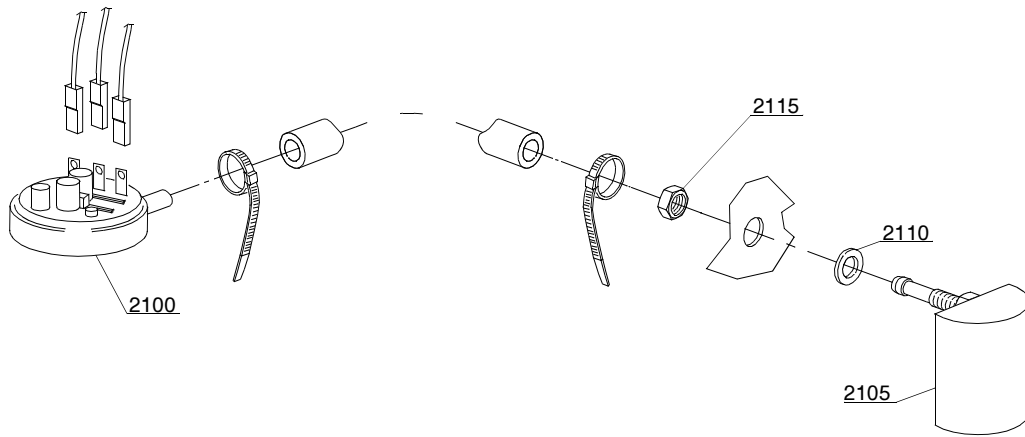
15\_003\_e





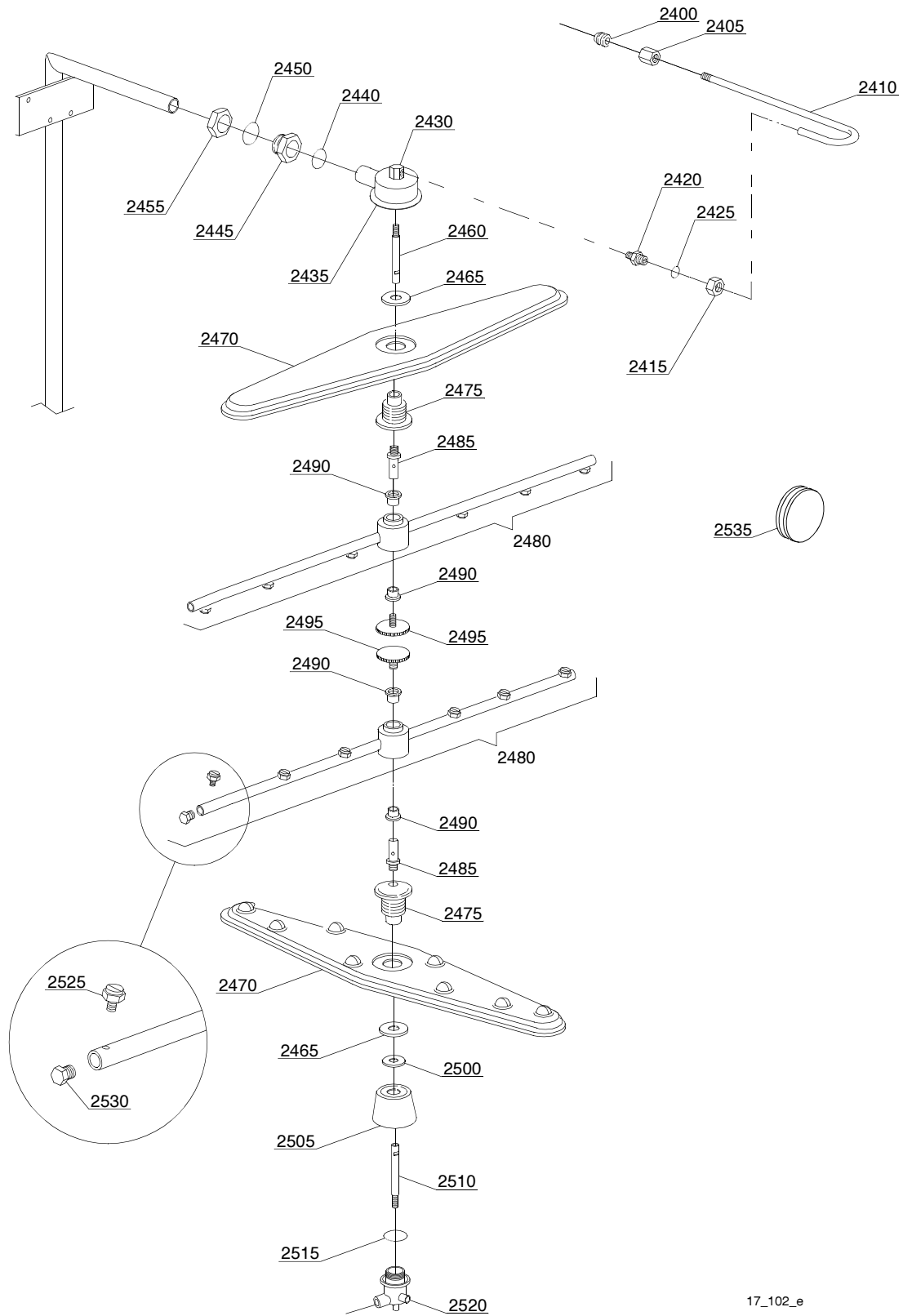
## Spare parts

ID	P-code	Model	Type	Accessory	Voltage	Description
MODULE:Drain pump group						
1900	440122		37E	dp		Pump support
1905	10702		37E	dp		5 Uf Condenser
1910	10501/A		37E	dp		0,10 Hp wash pump
1915	11806		37E	dp		25/40 clamp
1920	11836		37E	dp		20/32 clamp
1925	11809		37E	dp		30/45 clamp
1930	15131		37E	dp		Suction pipe
1935	10200039		37E	dp		Flow drain filter
1940	50559		37E	dp		Electronic timer for Exp - Ps card
1945	11600050		37E	dp		Suction pipe



16\_001\_e

ID	P-code	Model	Type	Accessory	Voltage	Description
MODULE:Pressure switch group with air trap						
2100	88110		37E			260-30 pressure switch
2105	10911/B		37E			Air trap assembly
2110	13301		37E			Gasket
2115	11702		37E			M8 stainless steel nut



17\_102\_e

ID	P-code	Model	Type	Accessory	Voltage	Description
MODULE:Turret group with rotating arms						
2400	13304		37E			Pipe-pass gasket
2405	12526		37E			Stainless steel pipe coupling
2410	75066		37E			Top rinse ramp
2415	12006/A		37E			O10 pipe fitting 3/8x3,5 nut 19 hexagonal
2420	12006		37E			O10 rinse pipe fitting
2425	13003		37E			OR 112 NBR gasket
2430	75319		37E			Rinse elbow
2435	78001		37E			Stainless steel turret for rotor
2440	13004		37E			OR 3137 NBR gasket
2445	15042		37E			"1"" 1/4 ring nut"
2450	13008		37E			OR 147 NBR gasket
2455	15042/A		37E			Nut
2460	75322		37E			Top rinse axle extension
2465	75317		37E			Nut for hub
2470	10600900		37E			Wash rotor
2475	75320		37E			Hub for rotor
2480	75918		37E			Top/lower rinse group
2485	75323		37E			Rinse axle
2490	13330		37E			Sliding washer
2495	11101/B		37E			Stainless steel group fixing screw
2500	11600033		37E			Reduction flow ring
2505	11600007		37E			Lower turret
2510	11600021		37E			Lower rinse axle
2515	13015		37E			6225 OR 160 NBR gasket
2520	500621		37E			Lower turret
2525	560018		37E			Stainless steel rinse nozzle
2530	560017		37E			Rinse arm plug
2535	13316/A		37E			DVGW hole gasket