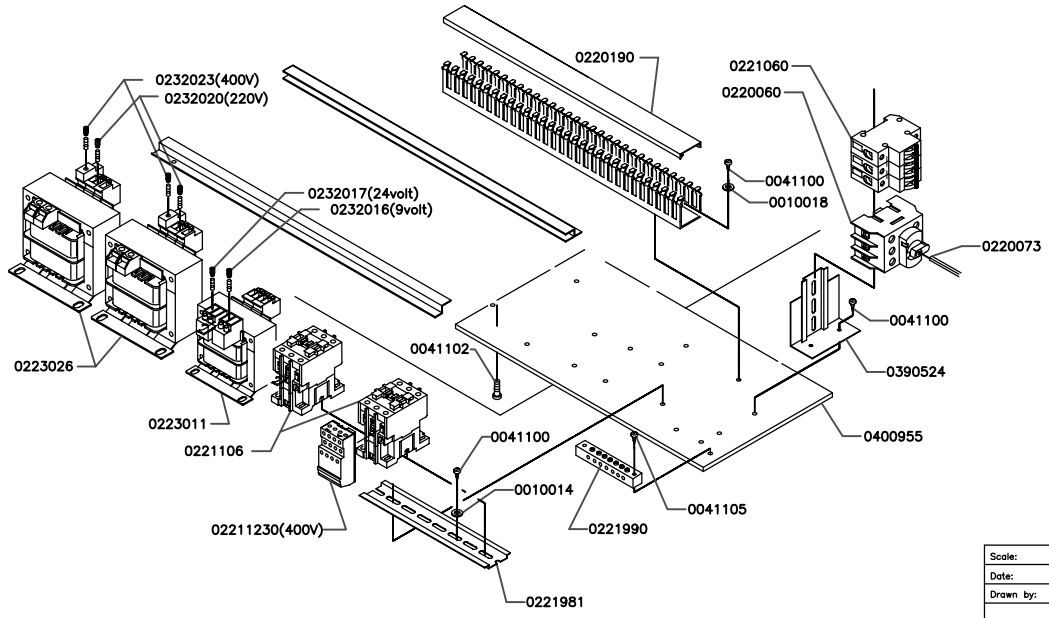
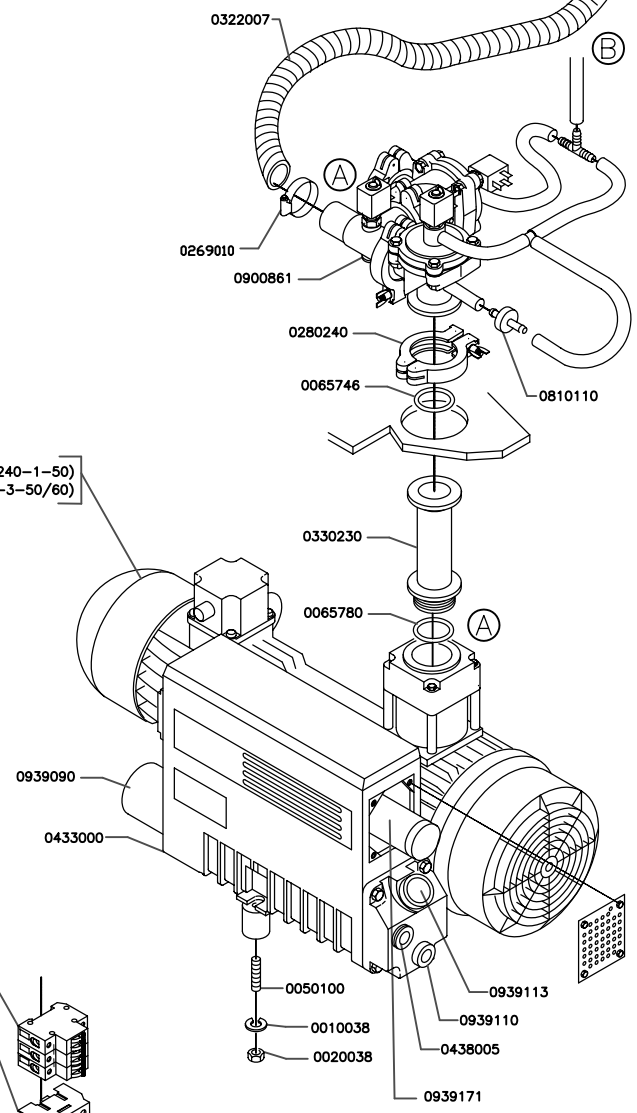
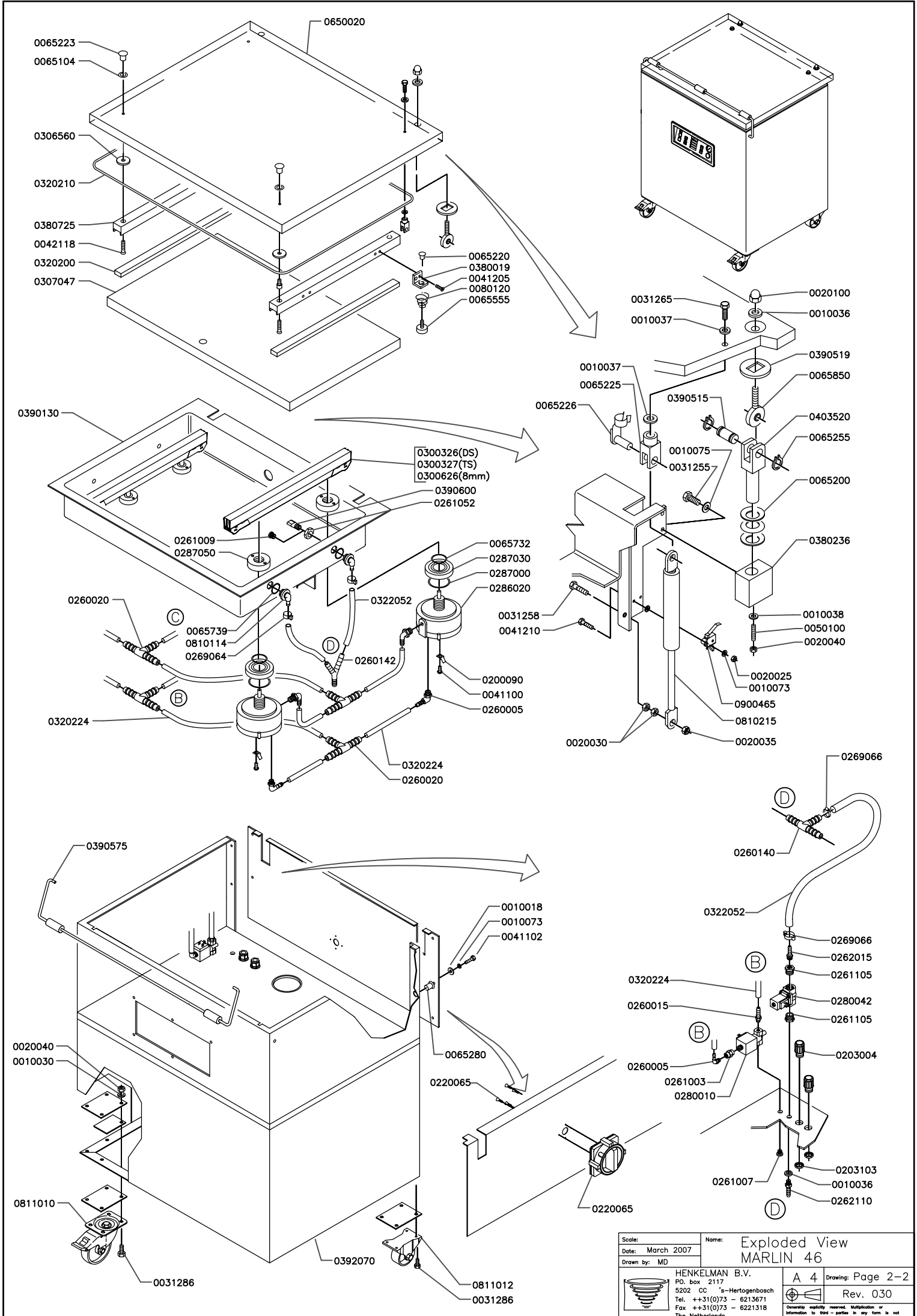


0432520(220-240-1-50)
0432525(200-230/380-400-3-50/60)



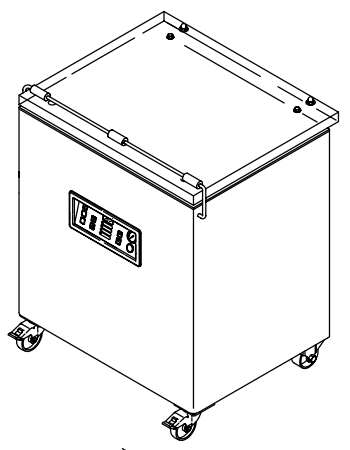
| | |
|---|---|
| Scale: | Name: Exploded View MARLIN 46 |
| Date: Jan 2009 | |
| Drawn by: MD | |
| <p>HENKELMAN B.V. P.O. box 2117 5202 CC 's-Hertogenbosch Tel. ++31(0)73 - 6213671 Fax ++31(0)73 - 6221318 The Netherlands</p> | <p>A 4 Drawing: Page 1-2 Rev. 040</p> |
| | <p><small>Ownership explicitly reserved. Multiplication or information to third parties in any form is not permitted without written permission of the owner.</small></p> |



0065223
0065104
0306560
0320210
0380725
0042118
0320200
0307047

0650020

0065220
0380019
0041205
0080120
0065555



0031265
0010037
0020100
0010036

0390130

0300326(DS)
0300327(TS)
0300626(8mm)

0390600
0261052

0261009
0287050

0065732
0287030
0287000
0286020

0260020

0065739
0810114
0269064

0322052

0260142

0031258
0041210

0200090
0041100
0260005

0010037
0065225

0390515

0010075
0031255

0390519
0065850

0403520
0065255

0065200

0380236

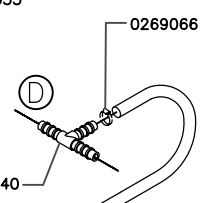
0010038
0050100
0020040

0020030

0020025
0010073

0900465
0810215

0020035



0260140

0322052

0269066
0262015
0261105

0320224

0260015

0260005
0261003
0280010

0280042
0261105

0203004

0261007

0203103
0010036
0262110

0020040
0010030

0811010

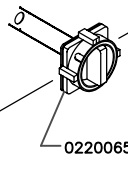
0031286

0392070

0010018
0010073
0041102

0065280

0220065



0220065

0811012
0031286

| | |
|---|-----------------------------------|
| Scale: | Name: Exploded View MARLIN 46 |
| Date: March 2007 | |
| Drawn by: MD | |
| HENKELMAN B.V. P.O. box 2117 5202 CC 's-Hertogenbosch Tel. ++31(0)73 - 6213671 Fax ++31(0)73 - 6221318 The Netherlands | A 4 Drawing: Page 2-2 Rev. 030 |

Overalls copyright reserved. Multiplication or information to third parties in any form is not permitted without written permission of the owner.