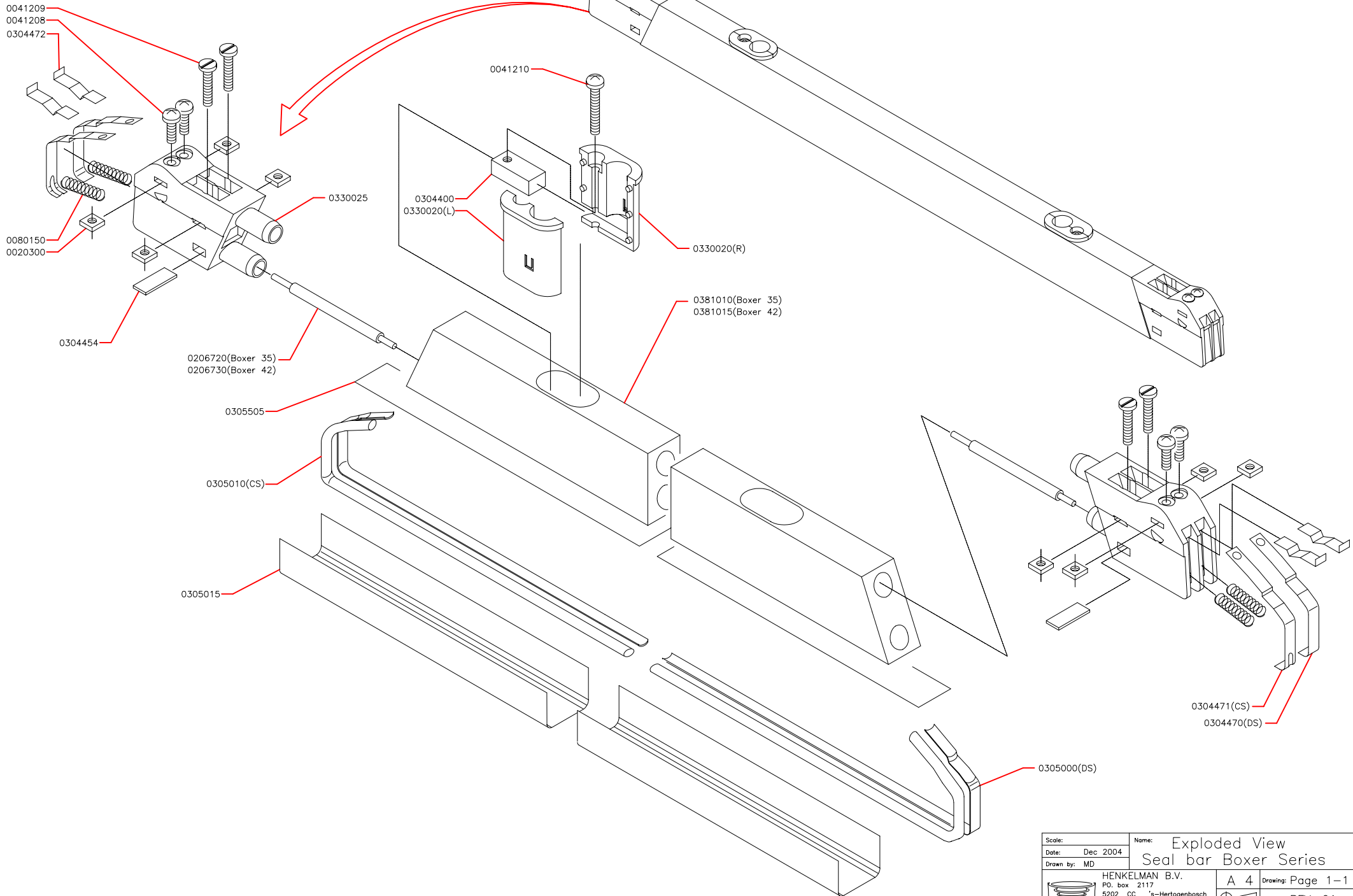


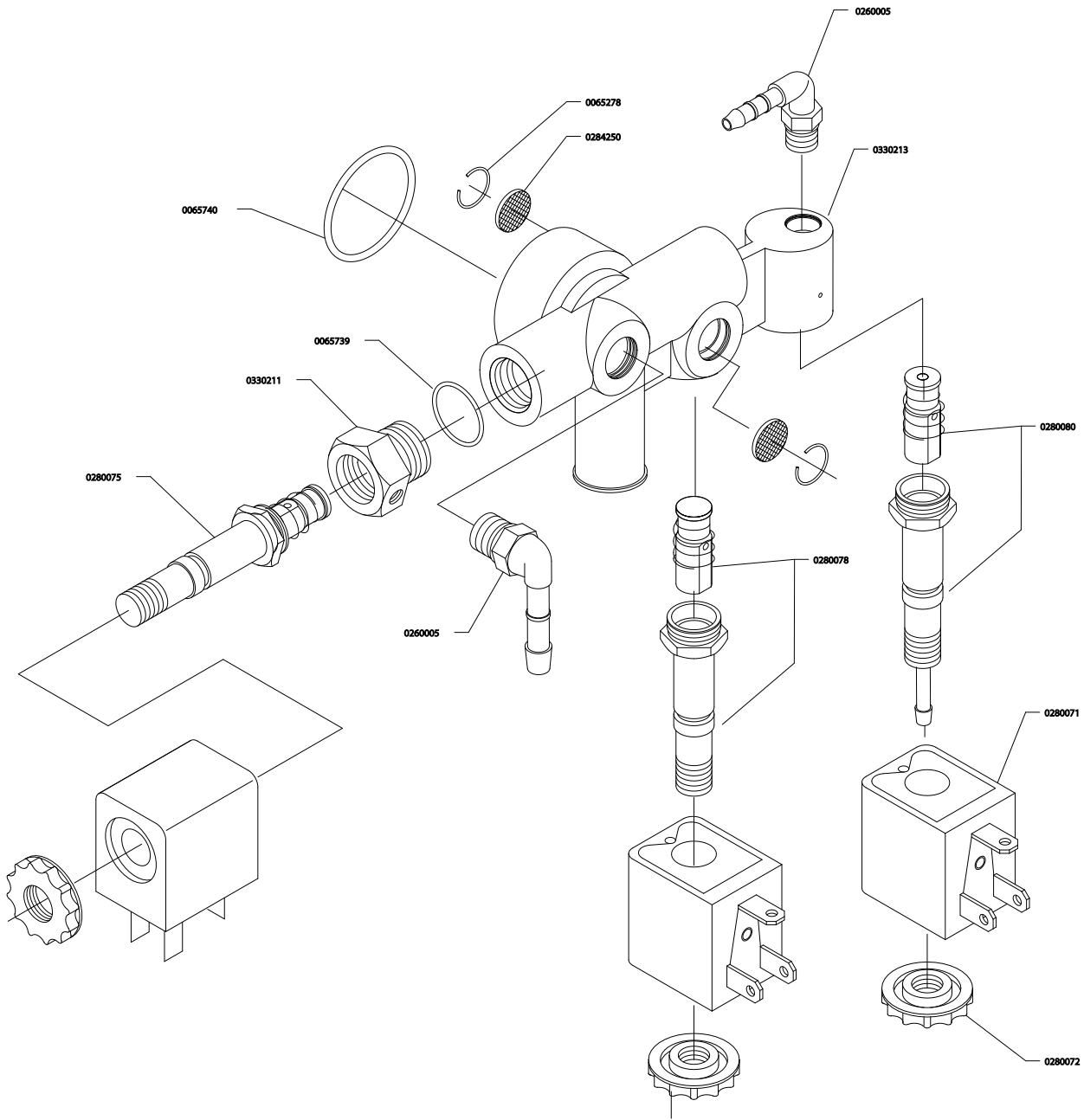
Scale:	Name:	Exploded View	
Date:	May 2004	Boxer 35	
Drawn by:	MD		
HENKELMAN B.V.		A 4 Drawing: Page 1-1	
PO. box 2117		Rev.03	
5202 CC 's-Hertogenbosch			
Tel. ++31(0)73 - 6213671			
Fax ++31(0)73 - 6221318			
The Netherlands			

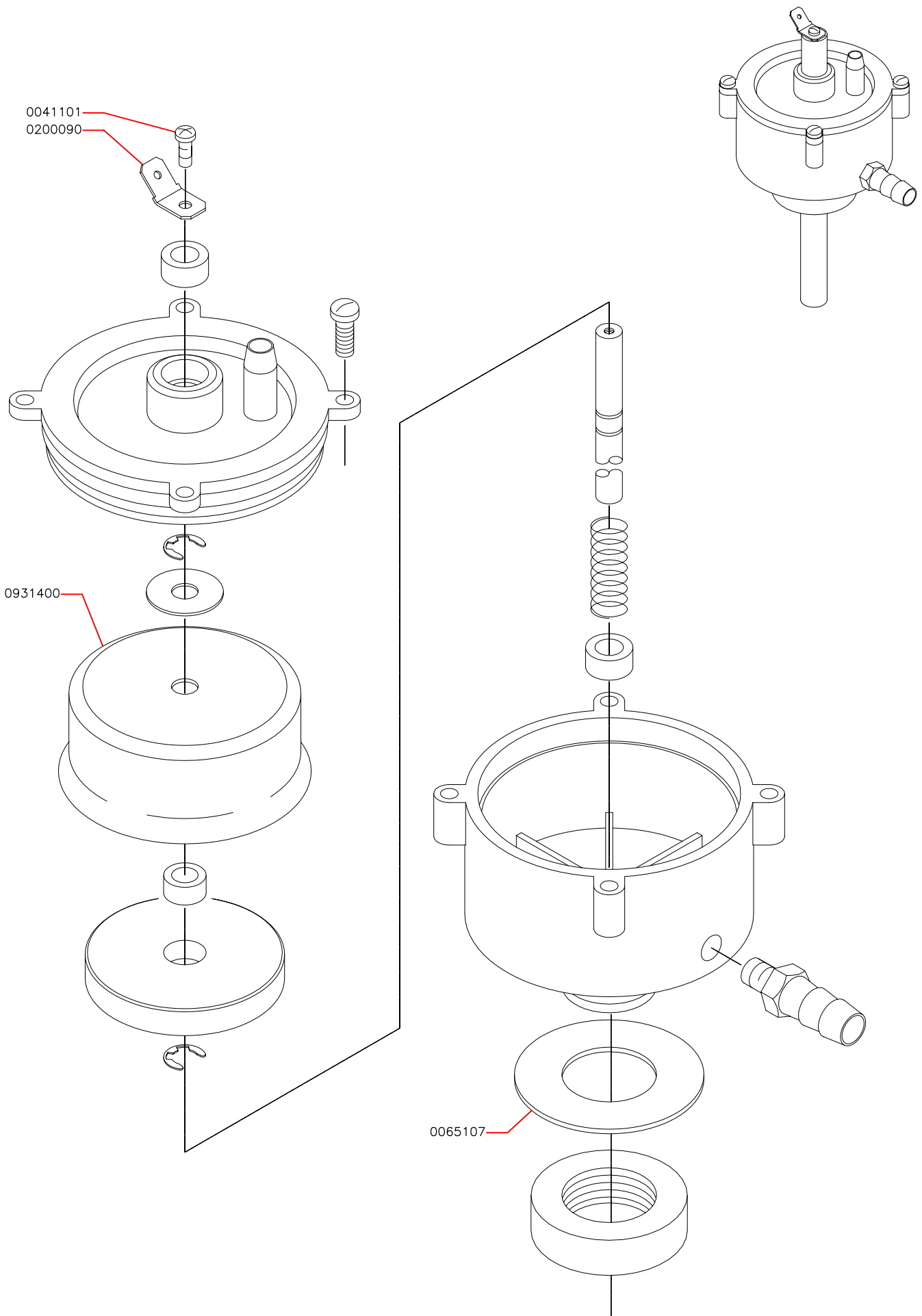
(DS) = DOUBLE SEAL
 (CS) = CUT-OFF SEAL
 (8mm) = 8mm SEAL


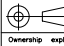
Overalls strictly reserved. Multiplication or information to third parties in any form is not permitted without written permission of the owner.

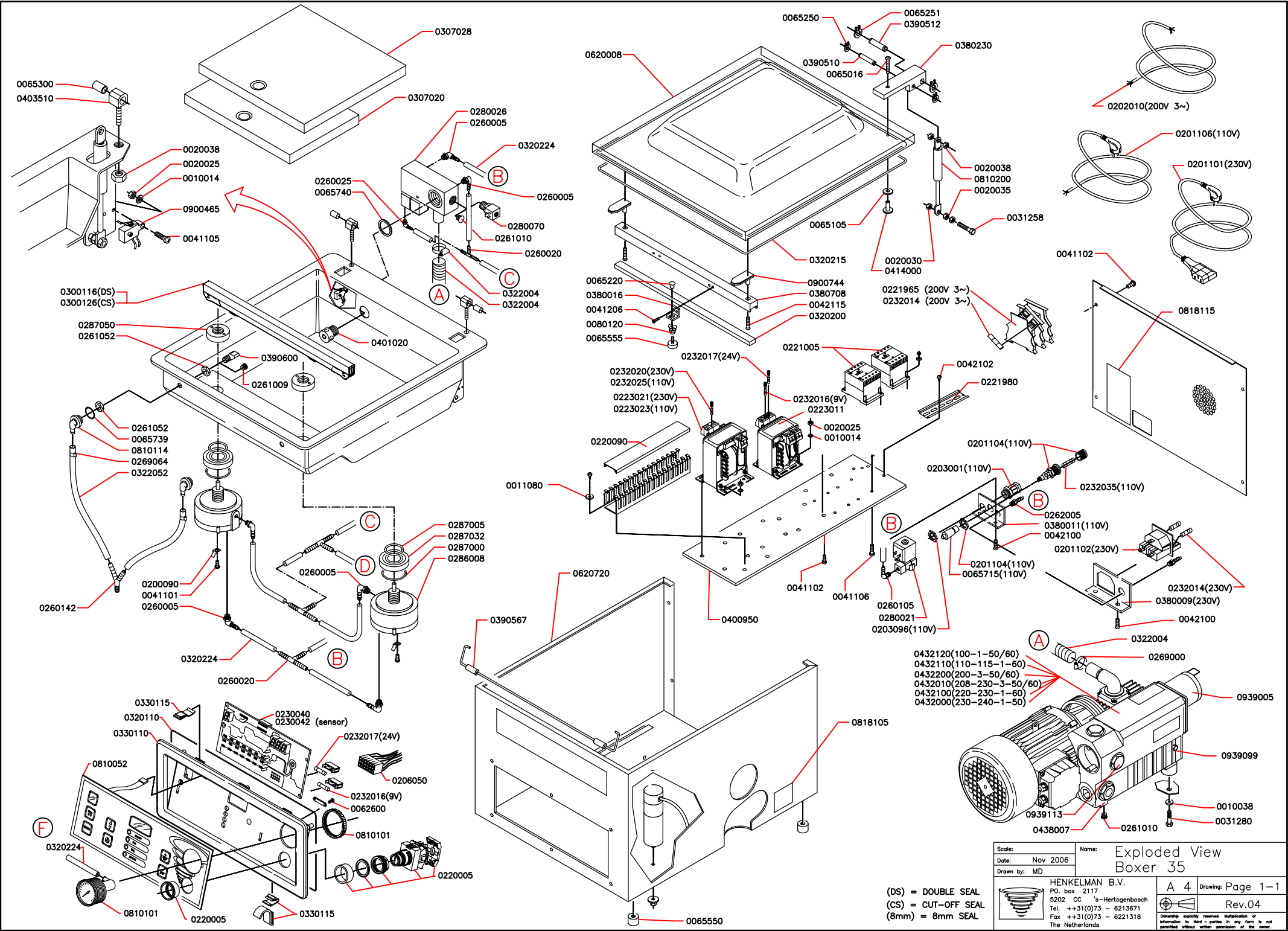


Scale:	Name:	Exploded View	
Date: Dec 2004	Seal bar Boxer Series		
Drawn by: MD	A 4 Drawing: Page 1-1		
	HENKELMAN B.V.		
	P.O. box 2117		
	5202 CC s-Hertogenbosch		
	Tel. ++31(0)73 - 6213671		
Fax ++31(0)73 - 6221318			
The Netherlands			
<small>Ownership explicitly reserved. Multiplication or information to third parties in any form is not permitted without written permission of the owner.</small>			





Scale:	Name:	Exploded View	
Date: April 2004	Seal cilinder Jumbo		
Drawn by: MD			
	HENKELMAN B.V.		A 4
	PO. box 2117 5202 CC 's-Hertogenbosch Tel. ++31(0)73 - 6213671 Fax ++31(0)73 - 6221318 The Netherlands		Drawing: Page 1-1 
<small>Ownership explicitly reserved. Multiplication or information to third parties in any form is not permitted without written permission of the owner.</small>			



Scale:	Name:	Exploded View	
Date:	Nov 2006	Boxer 35	
Drawn by:	MD		
HENKELMAN B.V.		A 4 Drawing: Page 1-1	
PO. box 2117		Rev.04	
5202 CC 's-Hertogenbosch			
Tel. ++31(0)73 - 6213671			
Fax. ++31(0)73 - 6221318			
The Netherlands			

(DS) = DOUBLE SEAL
 (CS) = CUT-OFF SEAL
 (8mm) = 8mm SEAL

Overname aansprakelijkheid, aansprakelijkheid of informatie te verspreiden in andere landen is niet toegestaan zonder schriftelijke toestemming van de afzender.